

FGHD SPEC SHEET - 29" VERTICAL GLASS GRAVITY DELI



SPEC GUIDE SHEET

370 BtuH/Ft. @ 20°F Suction & 34°F Entering Air Temp.

CASE MODELS	LINEAL FEET	75°F (24°C) Store 1000 BtuH/hr Req'd.	CONDENSING UNIT SELECTION CHART R12						LINE SIZING					ELECTRICAL DATA											
			AIR ENTERING THS CONDENSING UNIT THN (Remote) Units can be selected provided condenser is sized for 15-20°F T.D. or less.						SUCTION LINE					LIQUID	208 VOLT DEFROST		115 VOLT DATA								
			THW Water	85F 30C	90F 32C	95F 35C	100F 38C	105F 41C	M	E	T	E	R		Equivalent Feet	Standard 1 Row Lite ①	Optional Shelf Lite ② Amps.								
			90F 32C	85F 30C	90F 32C	95F 35C	100F 38C	105F 41C	15	30	45	60	75												
1	8	2.9							3/8																
1	12	4.4							3/8																
2	16	5.9							3/8																
1	20	7.4							3/8																
1	24	8.8							3/8																
2	28	10.3							3/8																
1	32	11.8							3/8																
2	36	13.3							3/8																
2	40	14.7							3/8																
1	44	16.2							3/8																
2	48	17.7							3/8																
1	52	19.2							1/2																
1	56	20.6							1/2																
2	60	22.1							1/2																

- ① Max = 3 rows of lighted shelves. 6 lamps per 8' case & 9 lamps per 12' case. Convenience outlet circuits: Two single outlets are on the back of these cases. Plansuitable 15A circuits for these 115V outlets.
- ② Optional Shelf Lighting is given on a per shelf basis.

LOAD DATA FOR FISH CASE: When this case is used for holding fresh fish Use:
 150 BTU/ft @ a 20F Suction Temp.

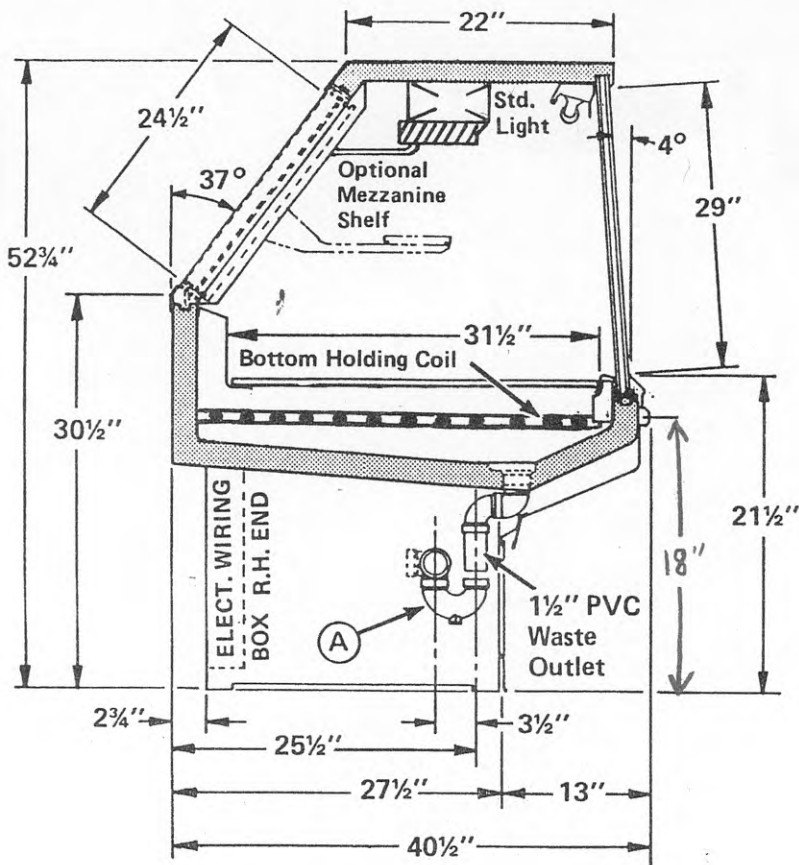
ANNUAL COMPARATIVE OPERATING COST PER FOOT OF CASE (C.O.C.)						CONTROL SETTINGS (R-12)					
CASE	Fans/HEF*	A/S Heat	Lights	208V Defrost	Condensing Unit	TOTALS @ 1c/KWH		DEFROST CONTROL		PRESSURE	
8'			.53		3.81	\$4.34		Per Day	Mode	Failsafe	CUT IN:
12'			92W		w/Opt. Air Defrost			1	TIMED OFF		
			146W		NET SAVINGS		CYCLE	110	Min.		CUT OUT:
											5

Case Ft. x C.O.C. = "Cost per Year" @ 1c/KWH. USE TOTALS TO COMPARE CASES & OPTIONS! Watts @ 115V *HEF = Hi-Efficiency Fans.

CASE BTUH REQUIREMENTS are calculated to produce approximately the indicated entering case air temp with operating ambient limits of 75F & 55% RH. **SUCTION LINE SIZING:** Select the point of intersection of the case line-up and the equivalent footage. Allow for all fittings in addition to the actual line length. **STEP SIZING** is suggested for selections falling in the first half of a size range. Pipe one size smaller can be used on the 50' of the run closest to the cases when the entire run is 100 equivalent feet or more. **LIQUID LINE SIZING** is based on 5lb. pressure drop in 150' of line. See complete line size charts in front of the TYLER SPEC GUIDE BOOK.

The information contained herein is based on technical data and tests which we believe to be reliable and is intended for use by persons having technical skill, at their own discretion and risk. Since conditions of use are outside Tyler's control, we can assume no liability for results obtained or damages incurred through the applications of the data presented. SPECIFICATIONS ARE SUBJECT TO CHANGE WITHOUT NOTICE. Printed in the U.S.A.

CROSS SECTION/FLOOR PLAN - 29" VERTICAL GLASS GRAVITY DELI

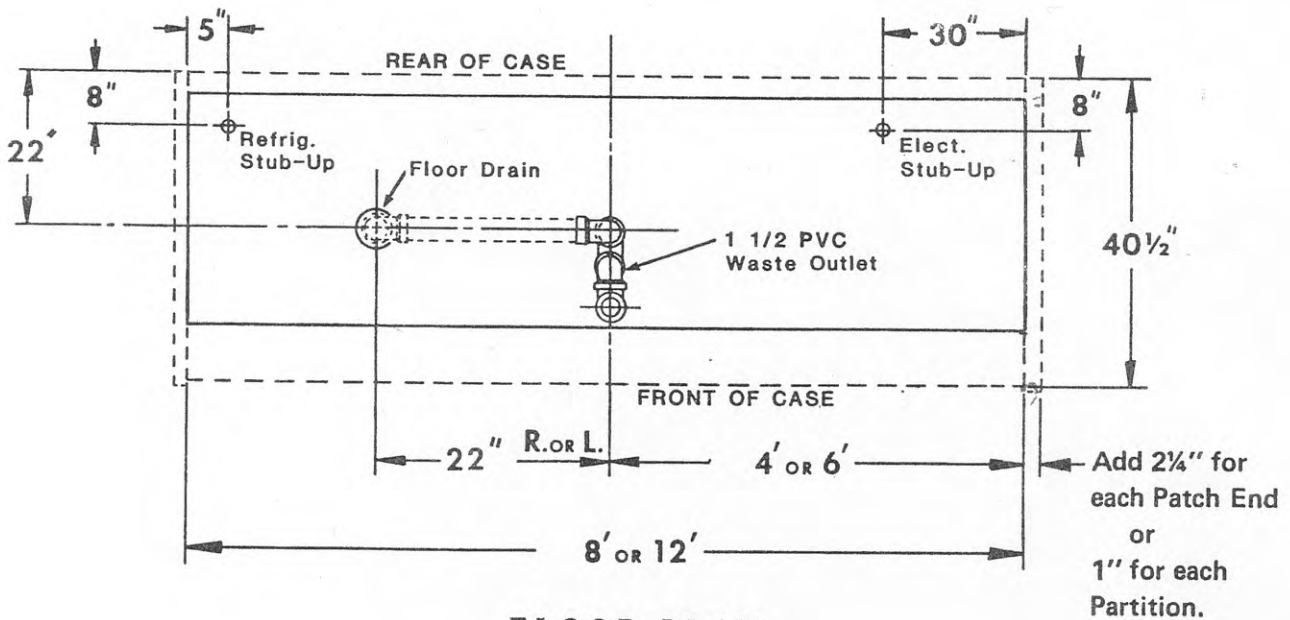


CROSS SECTION

(A) Trap & Elbow are shipped loose.

CASE FEATURES

- Extra Large Rear Service Doors
- Laminated, 3 pane Front Glass.
- Stainless Steel interior.
- Removable Front Panels.
- Optional Cantilevered Mezzanine Shelving.
- 1 1/2" PVC Waste Outlet, fully accessible.
- Ample space for case-to-case piping
- Full length Vinyl Bumper at cart height on case front.
- 1 row - 40W/430ma Lights SP 35
- Powder Coated Screens



FLOOR PLAN