

FGV SERVICE MEAT, FISH & DELI MERCHANDISERS

TYLER Refrigeration Corporation

300 Btuh/Ft. @ 20°F Suction Temp. & 29°F Entering Air Temp.

CASE MODELS 8' 12'	LINEAL FEET	75°F (24°C) Store 1000 Btuh/hr Req'd.	CONDENSING UNIT SELECTION CHART R-22					LINE SIZING					ELECTRICAL DATA					
			AIR ENTERING THIS CONDENSING UNIT THN (Remote) Units can be Selected provided Cond is sized for 10-15F TD or less					SUCTION LINE					208 VOLT DEFROST			115 VOLT DATA		
			85F 30C	90F 32C	95F 35C	100F 38C	105F 41C	M 15	E 30	T 45	E 60	R 75	L LIQUID	ONE PHASE TOTAL AMPS	DEFROST CONTROL REQD 3-PHASE	THREE PHASE HIGH LEG(S)	1 Row Lites Std. **	Opt. Mezz. Shelf Lites **
								Equivalent	Feet									
	4	1.2									3/8		TC		1.2			
	6	1.8									3/8				1.3			
1	8	2.4									1/2				2.2			
	12	3.6	050-22S									1/2				2.7		
2	16	4.8	075-22S									5/8				4.4		
1	20	6.0	110-22S									5/8				4.9		
	24	7.2	150-22S									7/8				5.4		
2	28	8.4	190-22S									1				7.1		
1	32	9.6	200-22S									1				7.6		
	36	10.8	200-22S									1				8.1		
2	40	12.0	200-22S									1				9.8		
1	44	13.2	200-22S									1				10.3		
4	48	14.4	200-22S									1				10.8		

- **CONVENIENCE OUTLET CIRCUIT:** One Convenience Outlet on 4' & 6' cases and two on 8' & 12' cases, located on rear of case. Plan suitable 15A Circuit for these 115V Outlets.
- **TEMPERATURE CONTROL** can be achieved by a Thermostat, suitably sized EPR, or Low Pressure Control. The Discharge Air T'stat should be set @ 28°F CUT IN / 21°F CUT OUT; the EPR set at 43# (R22); & Low Pressure Control (see table below).
- ****STANDARD CASE LIGHTING:** One row of flourescent lights in the top. Optional lighted Mezzanine Shelves are available (One shelf in both 4' & 6' cases and two 4' shelves in an 8' case and two 6' shelves in a 12' case). Each lighted Mezzanine Shelf requires .42 amps. NAMEPLATE AMPS INCLUDE ALLOWANCE FOR LIGHTED MEZZANINE SHELVES.

ANNUAL COMPARATIVE OPERATING COST PER FOOT OF CASE (C.O.C.)

CASE	Fans/HEF*	A/S Heat	Lights	208V Defrost	Condensing Unit	TOTALS††	CONTROL SETTINGS (R-22)			
							DEFROST CONTROL	MODE	PRESSURE	
		\$.53			\$ 3.11	\$ 3.64	Per Day	Mode	Fail-Safe	CUT IN: 16#
8'		92w					1	Timed Off	110 Min.	CUT OUT: 6#
12'		146w								

Case Ft. x C.O.C. = "Cost per Year" @ 1c/KWH. USE TOTALS TO COMPARE CASES & OPTIONS! Watts @ 115V *HEF = Hi-Efficiency Fans. †† @ 1c/KWH

CASE BTUH REQUIREMENTS are calculated to produce approximately the indicated entering case air temp with absolute maximum operating ambient limits of 75F & 55% RH. **SUCTION LINE SIZING:** Select the point of intersection of the case line-up and the equivalent footage. Allow for all fittings in addition to the actual line length. **STEP SIZING** is suggested for selections falling in the first half of a size range. Pipe one size smaller can be used on the 50' of the run closest to the cases when the entire run is 100 equivalent feet or more. **LIQUID LINE SIZING** is based on 5lb. pressure drop in 150' of line. See complete line size charts in front of the **TYLER SPEC GUIDE BOOK**.

The information contained herein is based on technical data and tests which we believe to be reliable and is intended for use by persons having technical skill, at their own discretion and risk. Since conditions of use are outside Tyler's control, we can assume no liability for results obtained or damages incurred through the applications of the data presented. **SPECIFICATIONS ARE SUBJECT TO CHANGE WITHOUT NOTICE.** Printed in the U.S.A.

Tyler Spec Sheet

M-13

SERVICE MEAT & FISH CASES

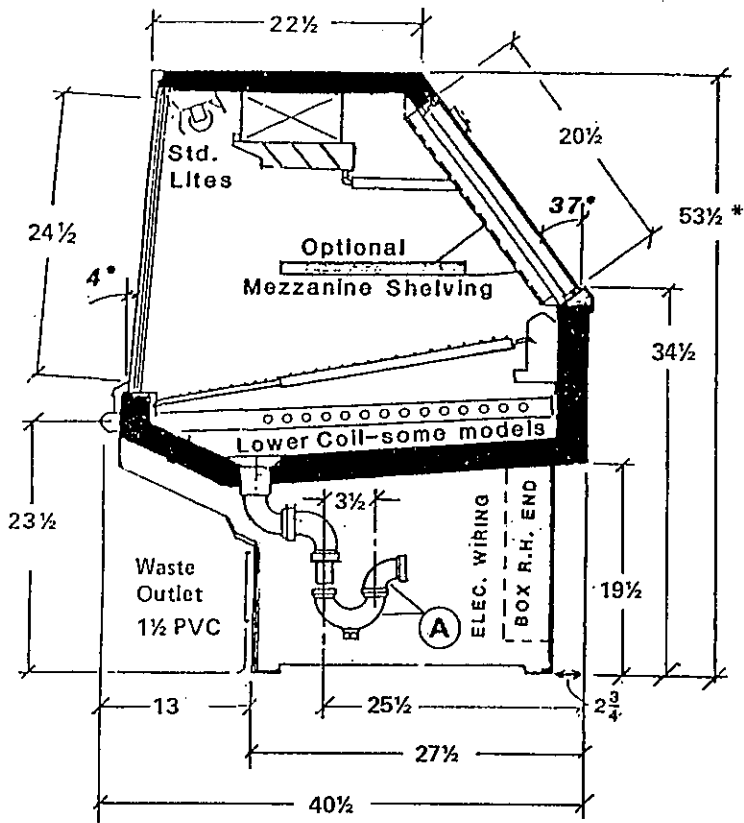
**FGV
(M/F)**

SG0711

Repl. 3/89

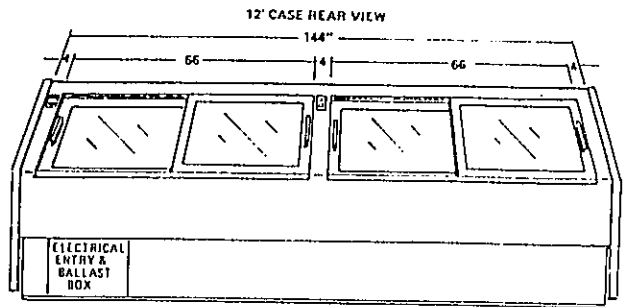
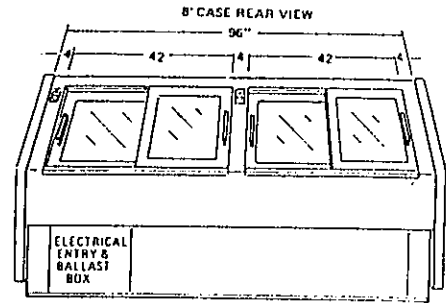
Rev. 8/91

FGV SERVICE MEAT, DELI, FISH & HOT CASES



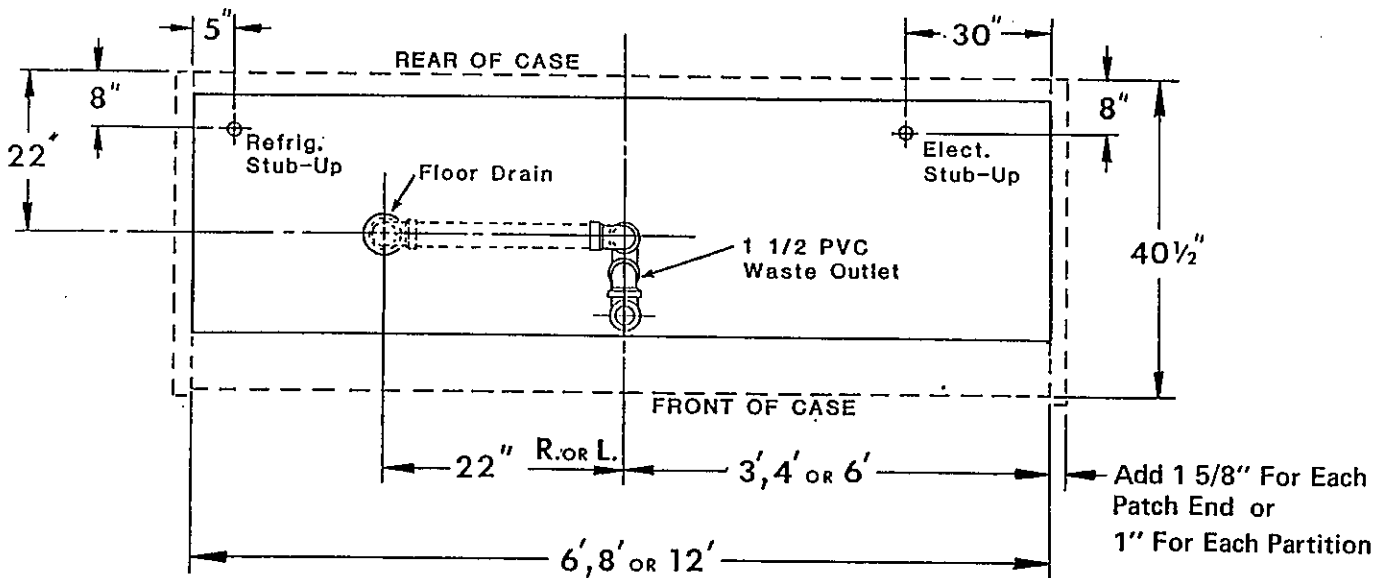
CASE CROSS SECTION

FGV



(A) Trap & Elbow are shipped loose

*LOW BASE OPTIONS: 52", 50" or 48" Overall Height



PLAN VIEW - 6', 8' & 12' LONG CASES

FGV BLOWER DELI SERVICE MERCHANDISERS

TYLER Refrigeration Corporation

325 Btuh/Ft. @ 20°F Suction Temp. & 29°F Entering Air Temp.

CASE MODELS 8' 12'	LINEAL FEET	75°F (24°C) Store 1000 Btuh/hr Req'd.	CONDENSING UNIT SELECTION CHART R-22					LINE SIZING					ELECTRICAL DATA								
			AIR ENTERING THIS CONDENSING UNIT THN (Remote) Units can be Selected provided Cond is sized for 10-15F TD or less					SUCTION LINE					208 VOLT DEFROST			115 VOLT DATA					
			85F 30C	90F 32C	95F 35C	100F 38C	105F 41C	M 15	E 30	T 45	E 60	R 75	L LIQUID	ONE PHASE TOTAL AMPS	DEFROST CONTROL REQD 3-PHASE	THREE PHASE HIGH LEG(S)	Std. Case Fan Amps	Opt. HEF Fan Amps	1 Row Std. Lites **		
1	8	2.6						3/8													
	12	3.9						050-22S	1/2									TC	1.0	.4	1.2
1	16	5.2						075-22S											1.5	.7	1.3
2	20	6.5						110-22S											2.0	.9	2.2
1	24	7.8						150-22S											2.5	1.1	2.7
1	28	9.1						190-22S											3.0	1.3	4.4
2	32	10.4						200-22S											3.5	1.5	4.9
2	36	11.7						300-22H											4.0	1.8	5.4
3	40	13.0																	4.5	2.0	7.1
2	44	14.3																	5.0	2.2	7.6
1	48	15.6																	5.5	2.4	8.1
4	52	16.9																	6.0	2.6	9.8
2	56	18.2																	6.5	2.9	10.3
3																			7.0	3.1	10.8
1																					

- **CONVENIENCE OUTLET CIRCUIT:** One Convenience Outlet on 4' & 6' cases and two on 8' & 12' cases, located on rear of case. Plan suitable 15A Circuit for these 115V Outlets.
- **TEMPERATURE CONTROL** can be achieved by a Thermostat, suitably sized EPR, or Low Pressure Control. The Discharge Air T'stat should be set @ 28°F CUT IN / 21°F CUT OUT; the EPR set at 43# (R22); & Low Pressure Control (see table below).
- ****STANDARD CASE LIGHTING:** One row of fluorescent lights in the top. Optional lighted Mezzanine Shelves are available (One shelf in both 4' & 6' cases and two 4' shelves in an 8' case and two 6' shelves in a 12' case). Each lighted Mezzanine Shelf requires .42 amps. NAMEPLATE AMPS INCLUDE ALLOWANCE FOR LIGHTED MEZZANINE SHELVES.

ANNUAL COMPARATIVE OPERATING COST PER FOOT OF CASE (C.O.C.)

CONTROL SETTINGS (R-22)

CASE	Fans/HEF*	A/S Heat	Lights	208V Defrost	Condensing Unit	TOTALS††	DEFROST CONTROL		PRESSURE
	\$.767 / .438		\$.53		\$ 3.50	\$ 4.80	Per Day	Mode	CUT IN:
8'	70w/40w		92w		w/Opt. HEF Motors	\$ 4.47		Fail-Safe	16#
12'	105w/60w		146w		NET SAVINGS	\$.33		1 Timed Off 60 Min.	CUT OUT:
									6#

Case Ft. x C.O.C. = "Cost per Year" @ 1¢/KWH. USE TOTALS TO COMPARE CASES & OPTIONS! Watts @ 115V *HEF = Hi-Efficiency Fans. ††@ 1¢/KWH

CASE BTUH REQUIREMENTS are calculated to produce approximately the indicated entering case air temp with absolute maximum operating ambient limits of 75F & 55% RH. **SUCTION LINE SIZING:** Select the point of intersection of the case line-up and the equivalent footage. Allow for all fittings in addition to the actual line length. **STEP SIZING** is suggested for selections falling in the first half of a size range. Pipe one size smaller can be used on the 50' of the run closest to the cases when the entire run is 100 equivalent feet or more. **LIQUID LINE SIZING** is based on 5lb. pressure drop in 150' of line. See complete line size charts in front of the **TYLER SPEC GUIDE BOOK**.

The information contained herein is based on technical data and tests which we believe to be reliable and is intended for use by persons having technical skill, at their own discretion and risk. Since conditions of use are outside Tyler's control, we can assume no liability for results obtained or damages incurred through the applications of the data presented. **SPECIFICATIONS ARE SUBJECT TO CHANGE WITHOUT NOTICE.** Printed in the U.S.A.

Tyler Spec Sheet

M-15

BLOWER DELI SERVICE CASES

FGVB

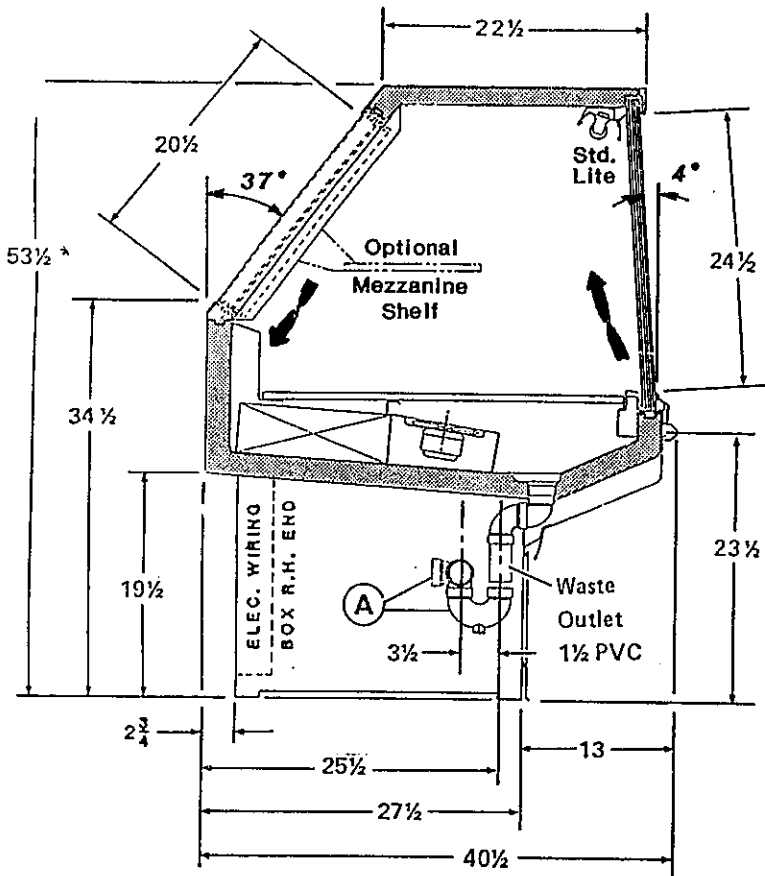
SG0719

Repl. 3/89

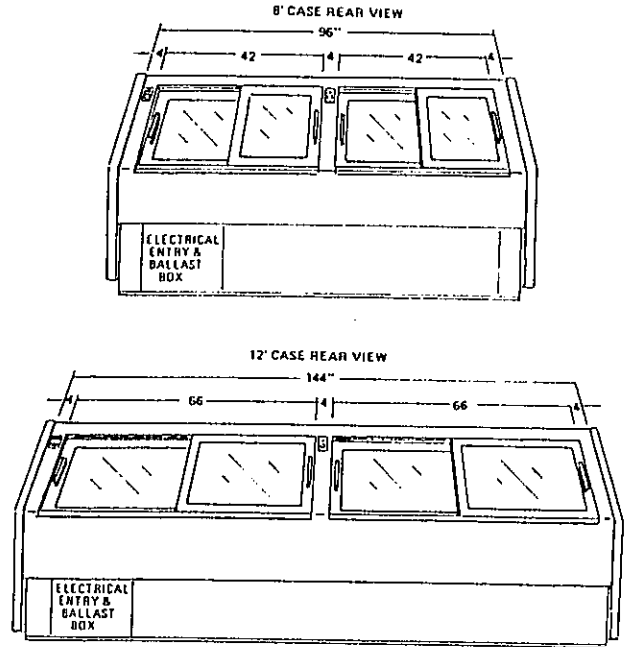
Rev. 8/91

TOP DISPLAY BLOWER DELI DISPLAY CASE

FGVB-A

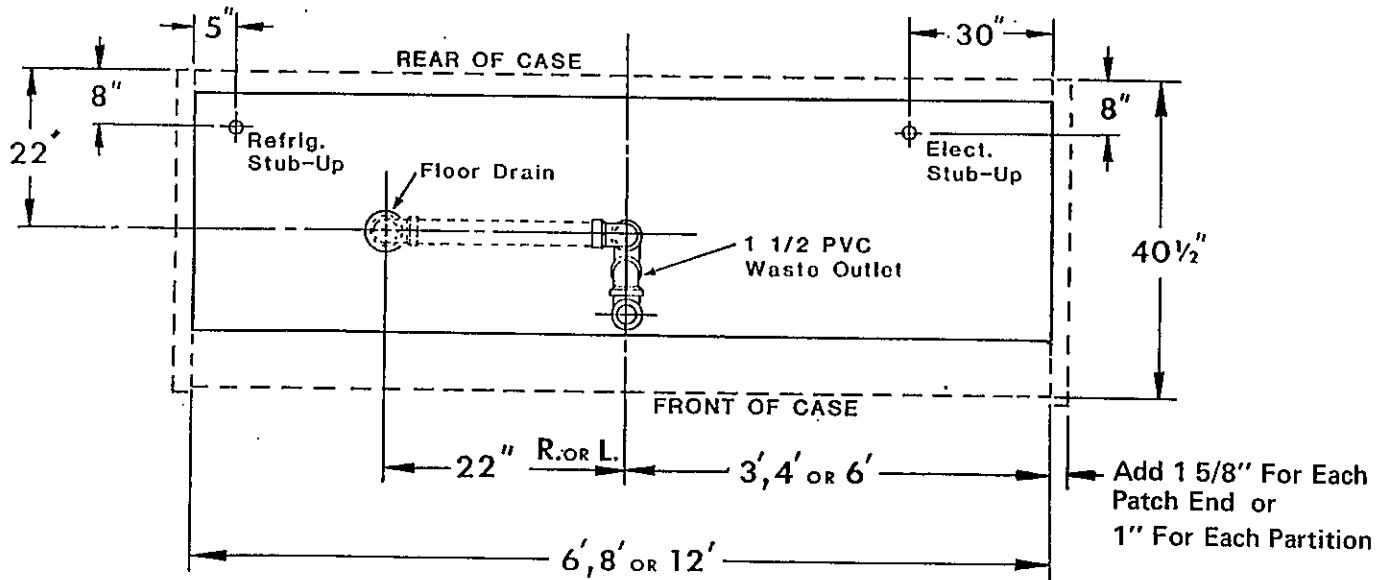


CROSS SECTION



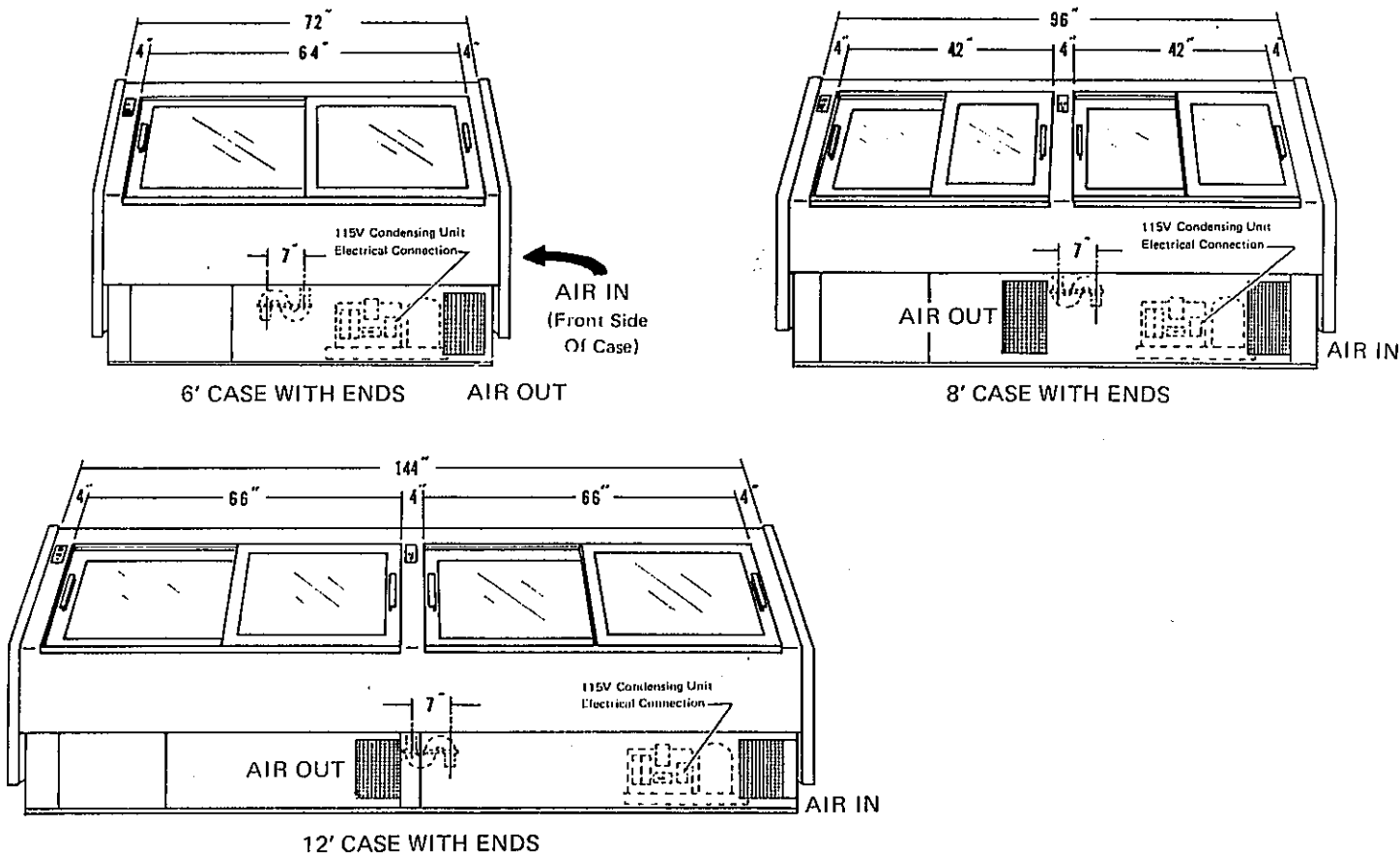
Ⓟ Trap & Elbow are shipped loose.

*LOW BASE OPTIONS: 52", 50" or 48" Overall Height



PLAN VIEW - 6', 8' & 12' LONG CASES

SELF CONTAINED SERVICE MEAT CASE



SELF CONTAINED SERVICE MEAT CASE DATA

MODEL	CASE LIGHTS *		CONVEN- IENCE OUTLET CIRCUIT	115V HERMETIC COND. UNIT			MINIMUM CIRCUIT AMPACITY	MAX. FUSE SIZE	R12 CHARGE
	Std. 1 Row	Opt. 2 Row		R.L.A.	L.R.A.	H.P.			
FGV6 S/C	1.3A	1.9A	15A	5.0A	26.5A	1/4	15A	15A	8# R12
FGV8 S/C	2.2A	3.0A	15A	8.0A	42.0A	1/3	15A	15A	9# R12
FGV12 S/C	2.7A	4.0A	15A	10.0A	48.0A	1/2	15A	20A	14# R12

*Includes Mezzanine Lights (If Used)

- CIRCUITS REQUIRED:** Connections for the Case Lights, the convenience outlet (Case) and the condensing unit are separate. Combining in the field depends on customer's desires and local codes.
- WASTE OUTLET:** Each case has a waste outlet which is to be extended with 1-1/2" PVC pipe to a suitable floor drain. An optional condensate pan can be obtained but it is NOT RECOMMENDED because -
 1) The pan will not handle the amount of water normally needed for cleaning the case. 2) If bloody water gets into it, the odor can be offensive. 3) These pans are electrically operated - the cost of operation can be expensive.

The information contained herein is based on technical data and tests which we believe to be reliable and is intended for use by persons having technical skill, at their own discretion and risk. Since conditions of use are outside Tyler's control, we can assume no liability for results obtained or damages incurred through the applications of the data presented. SPECIFICATIONS ARE SUBJECT TO CHANGE WITHOUT NOTICE. Printed in U. S. A.