



# LV LOW VELOCITY EVAPORATOR

## *AIR DEFROST*

**SUBMITTAL**  
**LV-572K**  
**FEB. 1997**  
**SUPERCEDES**  
**LV-572J**



### Description:

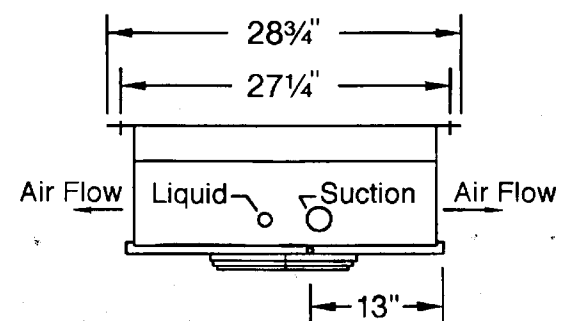
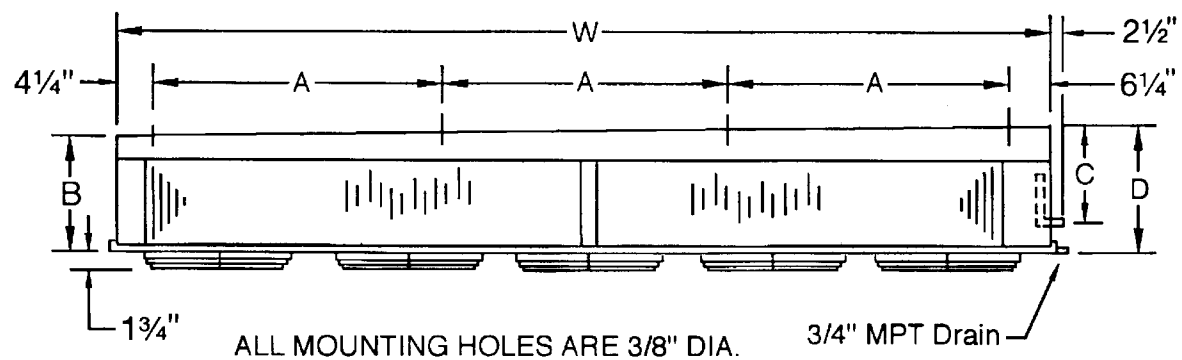
Model LV unit coolers are ideal for supermarket walk-in coolers, meat preparation and cutting rooms, where room temperatures are maintained at +35°F and higher. They are particularly suited for coolers where products are stored requiring high relative humidities.

Whisper quiet, they evenly distribute air in large areas with velocities not much greater than gravity circulation. Because the air velocity is low there are no uncomfortable drafts and personal comfort is maintained.

The low-silhouette, compact design permits mounting flush to the ceiling or between rail beams. Their length assures even distribution of air throughout the refrigerated area.

### Features:

- Low air velocity.
- Low unit height.
- Corrosion resistant aluminum cabinet.
- Coils constructed of copper tubes and aluminum fin.
- Baked white housing available as an option.
- All motors are permanently lubricated with built-in overload protection.
- UL and C-UL listed.
- NSF approved.
- Sloped drain pan built-in for positive condensate drainage.
- Factory wired for quick installation.
- Hinged drain pan for quick easy access without tools.



- NOTES - ALL MOUNTING HOLES ARE  $\frac{3}{8}$  DIAMETER.
- ALL DIMENSIONS ARE IN INCHES.
  - MODEL LV-65 HAS 4 MOUNTING HOLES.
  - MODELS LV-105 THRU LV-275 HAVE 6 MOUNTING HOLES.
  - MODEL LV-371 HAS 8 MOUNTING HOLES.

For your convenience the diagram originally here is enlarged, and is now a separate page that can be found just prior to this page in the Adobe document.

### PERFORMANCE DATA

MODEL	Capacity BTU/HR(1)		CFM	Motors			Total Fan Motor Amps (2)	
	10°TD	20°TD		QTY	H.P.	R.P.M.	115/1	230/1
LV-65	6500	13000	1050	2	9W	1550	1.2	0.6
LV-105	10500	21000	1220	3	9W	1550	1.8	0.9
LV-140	14000	28000	1670	3	16W	1550	3.3	1.65
LV-150	15000	30000	1820	3	16W	1550	3.3	1.65
LV-180	18000	36000	2230	4	16W	1550	4.4	2.2
LV-215	21500	43000	2420	4	16W	1550	4.4	2.2
LV-275	27500	55000	2420	4	16W	1550	4.4	2.2
LV-371	37100	74200	2830	5	16W	1550	5.5	3.3

### DIMENSIONAL DATA

MODEL	Connections (in) (1)				Dimensions (in)					Refrig. Charge (lbs) (1)	Approx. Ship Weight (lbs)
	Suction O.D.	liquid FN	Ext. Equal O.D.	Drain MPT	A (2)	B	C	D	W		
LV-65	7/8	1/2	1/4	3/4	48	7-1/2	6-1/4	8-3/8	58-1/2	5.3	155
LV-105	7/8	1/2	1/4	3/4	36	7-1/2	6-1/4	9	82-1/2	7.8	205
LV-140	1-1/8	1/2	1/4	3/4	36	10-1/2	9-3/4	12	82-1/2	11.7	265
LV-150	1-1/8	1/2	1/4	3/4	36	10-1/2	9-3/4	12	82-1/2	11.7	285
LV-180	1-1/8	1/2	1/4	3/4	48	10-1/2	9-3/4	12	106-1/2	15.4	325
LV-215	1-1/8	1/2	1/4	3/4	48	10-1/2	9-3/4	12	106-1/2	15.4	340
LV-275	1-1/8	1/2	1/4	3/4	48	13-1/2	12-3/4	15	106-1/2	20.6	370
LV-371	1-1/8	1/2	1/4	3/4	40	13-1/2	12-3/4	15	130-1/2	32.2	490

1. Based on R-22.
2. Optional PSC motors are available, contact factory.
3. LV-65 has 4 mounting holes, LV-105 thru LV-275 have 6 mounting holes, and LV-371 has 8 mounting holes.

Specifications and dimensions are subject to change without notice.

**KRAMER** 14230 Lochridge Boulevard / Covington, GA / 30014

Phone: 770-788-5800 Fax: 770-788-5820

[www.kramerusa.net](http://www.kramerusa.net)