

**L4M - FRONT LOAD MULTI-SHELF DELI/MEAT CASE
L4MG GLASS FRONT MULTI-SHELF DELI/MEAT CASE**

| | | | | |
|------------|------|------|------|------|
| MODEL | L4M | L4M | L4MG | L4MG |
| USAGE | DELI | MEAT | DELI | MEAT |
| BTUH/FT | 1310 | 1379 | 1310 | 1379 |
| SUCTION° | +17F | +15F | +17F | +15F |
| ENTER AIR° | +29F | +27F | +29F | +27F |

THE ABOVE RATINGS ARE FOR COMPRESSOR SELECTION ONLY. FOR ENERGY CALCULATION DATA REFER TO THE ENERGY SECTION.

NOTE: FOR COMPRESSOR SIZING INFORMATION REFER TO THE "GOLD" SECTION & FOR LINE SIZING INFORMATION REFER TO THE "BUFF" SECTION OF THE TYLER SPECIFICATION GUIDE.

| 208 VOLT DEFROST (AMPS) | | | | | | | | | | | |
|---|--------------|---------------|---------------------|---------------------|---------------------|---------------------|---------------------|---------------------|---------------------|---------------------|---------------------|
| FT | 8 | 12 | 16 | 20 | 24 | 28 | 32 | 36 | 40 | 44 | 48 |
| DELI/ MEAT 1 PH | 6.9 TG-30 | 10.3 TG-30 | 13.9 TG-30 | 17.2 TG-30 | 20.6 TG-30 | 24.1 TG-40 | 27.5 TG-40 | 30.9 TG-40 | 34.4 TG-50 | 37.8 TG-50 | 41.2 TG-50 |
| DELI/ MEAT 3 PH | N/A | N/A | 12.0 TG-3 -30 | 15.0 TG-3 -30 | 18.0 TG-3 -30 | 15.0 TG-3 -30 | 18.0 TG-3 -30 | 18.0 TG-3 -30 | 21.0 TG-3 -30 | 25.0 TG-3 -40 | 28.0 TG-3 -40 |
| CASE-TO-CASE SUCTION LINE SUB-FEED BRANCH LINE SIZING | | | | | | | | | | | |
| R22 DELI | 5/8" | 7/8" | 7/8" | 7/8" | 1 1/8" | 1 1/8" | 1 1/8" | 1 1/8" | 1 1/8" | 1 3/8" | 1 3/8" |
| R22 MEAT | 5/8" | 7/8" | 7/8" | 7/8" | 1 1/8" | 1 1/8" | 1 1/8" | 1 1/8" | 1 1/8" | 1 3/8" | 1 3/8" |

| DEFROST CONTROL | | | | PRESSURE SETTINGS | | | EPR SETTINGS | |
|-----------------|---------------------------|------------|--------|-------------------|-------------------|-------------------|--------------|-------|
| PER DAY | MODE | TIME | TERM. | | CUT IN | CUT OUT | R22 | R404A |
| 4 | ELECT | 36 MIN. | 50F | DELI | 58-60# @ R22 | 32-35# @ R22 | 43# | --- |
| 4 | TIME OFF | 46 MIN. | | MEAT | 52-56# @ R22 | 26-29# @ R22 | 37# | --- |
| 4 | HOT GAS | 12-15 MIN. | 70-75F | DELI | 72-75# @ R404A | 42-46# @ R404A | --- | 55# |
| 4 | AIR DEFROST (L4M ONLY) | 40 MIN. | 50F | MEAT | 66-70# @ R404A | 35-39# @ R404A | --- | 48# |

CASE CIRCUITS: This case requires a separate 120v circuit for fans, lights, anti-sweats, and a 208v circuit for Electric Defrost (if used).

CASE BTUH REQUIREMENTS are calculated to produce approximately the indicated entering air temperature with absolute maximum operating ambient limits of **75F & 55RH**.

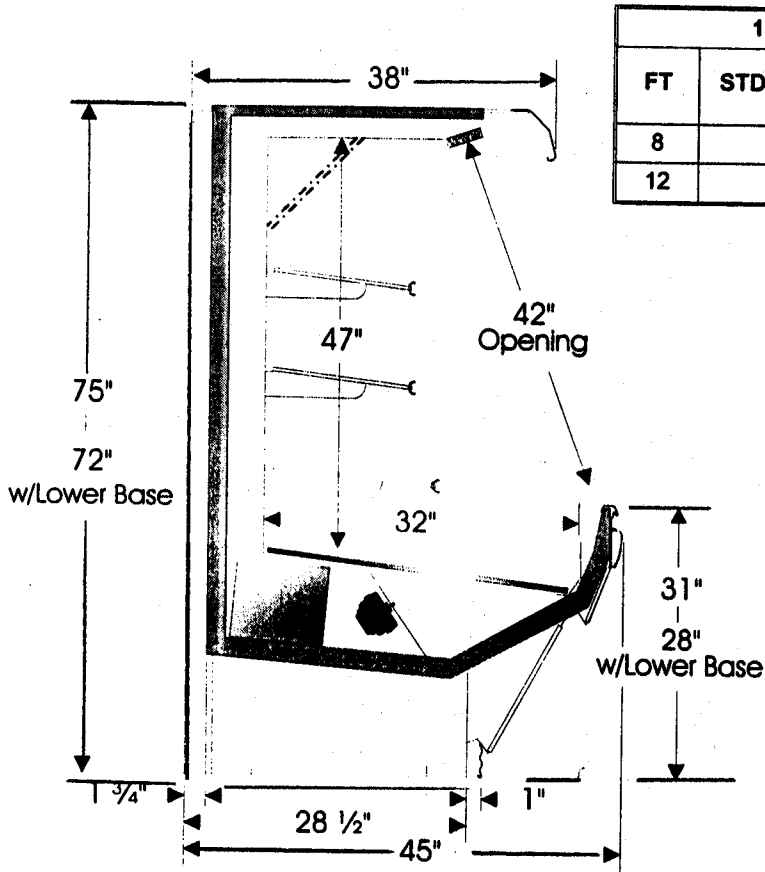
Screens are standard. Shelving must be ordered separately. A two-shelf arrangement includes (1) 15" shelf on top and (1) 18" shelf on bottom. A three-shelf arrangement includes (1) 15" shelf on top, (1) 15" shelf in the middle and (1) 18" shelf on the bottom. Lights on shelves are optional, but not recommended because the added heat shortens shelf life of meat and increases operating costs.

When mirrors are used, only 12" or 16" wide mirrors are allowed. **NOTE:** 1 or 2 rows of discharge holes must be left open between the top shelf and bottom of mirror.

The information contained herein is based on technical data and tests which we believe to be reliable and is intended for use by persons having technical skill, at their own discretion and risk. Since conditions of use are outside Tyler's control, we can assume no liability for results obtained or damages incurred through the applications of the data presented. SPECIFICATIONS ARE SUBJECT TO CHANGE WITHOUT NOTICE.

Cortel VENTURA 5.0 - L4M PUB

L4M - FRONT LOAD MULTI-SHELF DELI/MEAT CASE L4MG GLASS FRONT MULTI-SHELF DELI/MEAT CASE



| 120 VOLT ELECTRICAL DATA (AMPS) | | | | |
|---------------------------------|-----------|----------|--------------|---------|
| FT | STD. FANS | ECM FANS | ANTI-SWEATS* | |
| | | | DISC./AIR | GLASS** |
| 8 | 1.2 | .6 | .3 | .3 |
| 12 | 1.8 | .9 | .5 | .5 |

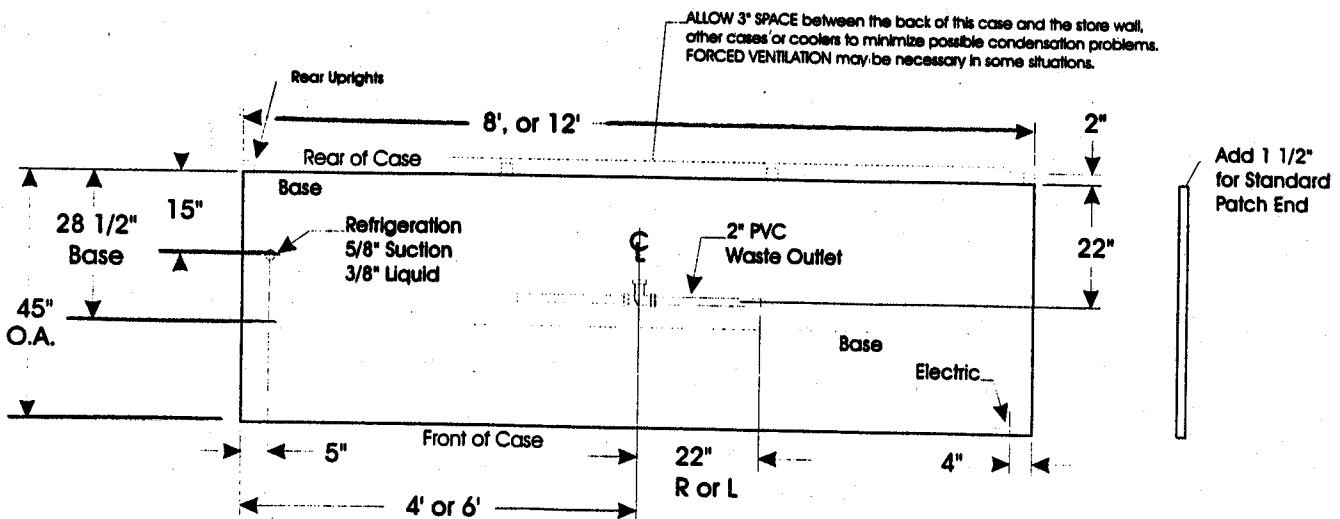
| 120 VOLT LIGHTING (AMPS) T-8/ ELECTRONIC BALLASTS (CANOPY)* | | |
|---|-------------------------------|-------------------------------|
| FT | STANDARD LIGHTING 1 ROW | OPTIONAL LIGHTING 2 ROW |
| 8 | .6 | 1.1 |
| 12 | .9 | 1.8 |

| OPTIONAL 115 VOLT LIGHTING (AMPS) T-8/ ELECTRONIC BALLASTS (SHELVES) | | |
|--|-----|-----|
| ROWS | 8' | 12' |
| 1 | .9 | 1.3 |
| 2 | 1.4 | 2.1 |
| 3 | 1.8 | 2.6 |

* Discharge air anti-sweat heater and canopy lighting on same circuit.

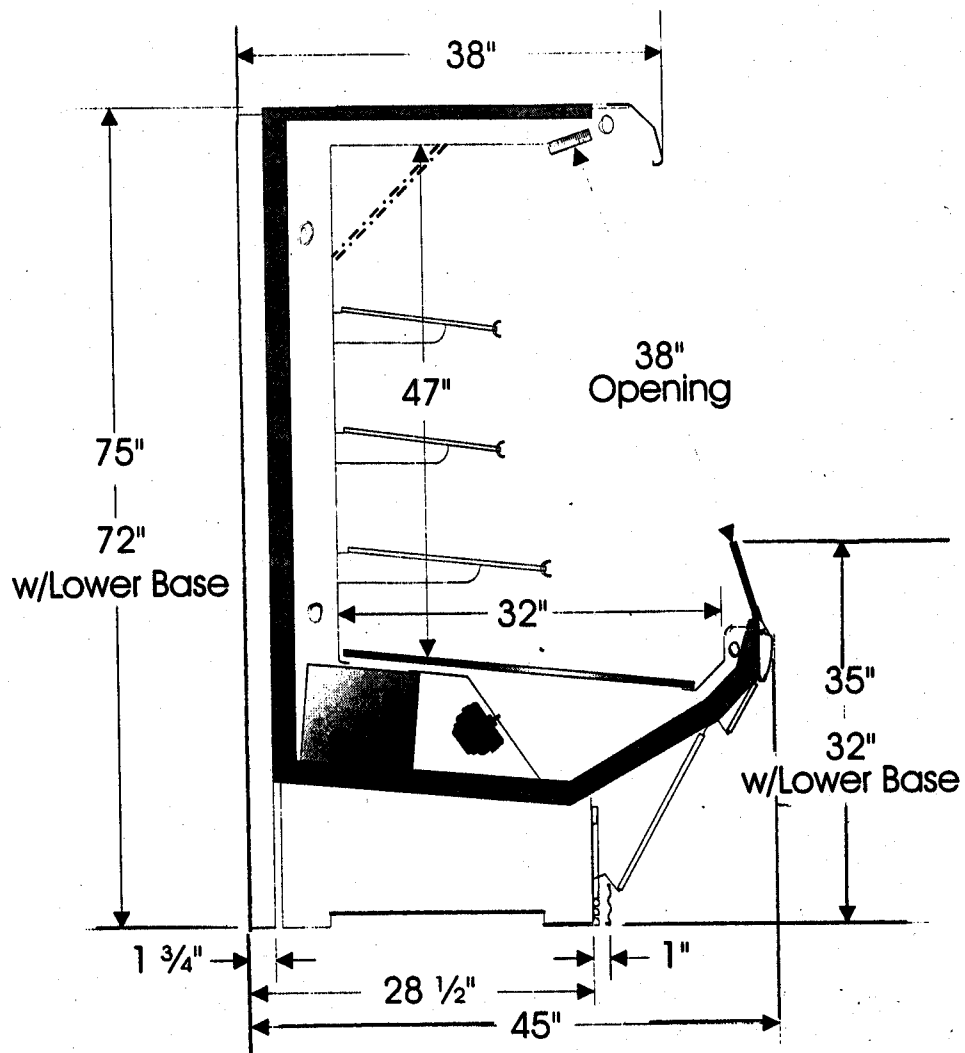
** L4MG glass anti-sweat heater on separate circuit.

L4M/L4MG CROSS SECTION AND FLOOR PLAN



Corel VENTURA 5.0 - L4M.PUB

L4MG GLASS FRONT MULTI-SHELF DELIMEAT CASE



Corel VENTURA 5.0 - L4M.PUB