

L5FGA GLASS DOOR FROZEN FOOD & ICE CREAM

MODEL	L5FGA	L5FGA
USAGE	FROZEN	ICE CREAM
BTUH/DR	1538	1656
SUCTION°	-16F	-23F
ENTER AIR°	-5F	-12F

Capacity data listed is for cases with T-8 electronic vertical lighting (Prism). Lights remain on during defrost. See Capacity Adjustments below:

Add 916 Btuh per glass end for frozen food cases

Add 1000 Btuh per glass end for ice cream cases

Add 100 Btuh/Dr for opt. 800MA horizontal lighting

Add 200 Btuh/Dr for opt. 800MA vertical lighting

Add 318 Btuh/Dr for opt. VHO 1500MA horiz. lighting

NOTE: COMPRESSOR SIZING SHOULD ALLOW FOR SUCTION LINE PRESSURE DROP.

THE ABOVE RATINGS ARE FOR COMPRESSOR SELECTION ONLY. FOR ENERGY CALCULATION DATA REFER TO THE ENERGY SECTION. FOR COMPRESSOR SIZING INFORMATION REFER TO THE "GOLD" SECTION & FOR LINE SIZING INFORMATION REFER TO THE "BUFF" SECTION OF THE TYLER SPECIFICATION GUIDE.

208 VOLT DEFROST (AMPS)														
DRS	2	3	4	5	6	7	8	9	10	11	12	13	14	15
FF/IC 1 PH	6.6 TG-30	10.8 TG-30	15.0 TG-30	19.3 TG-30	21.6 TG-30	25.8 TG-40	30.1 TG-40	34.3 TG-50	38.6 TG-50	N/A	N/A	N/A	N/A	N/A
FF/IC 3 PH	N/A	N/A	N/A	N/A	19.0 TG-3 -30	23.0 TG-3 -30	26.0 TG-3 -40	30.0 TG-3 -40	34.0 TG-3 -40	26.0 TG-3 -40	30.0 TG-3 -40	34.0 TG-3 -40	34.0 TG-3 -40	34.0 TG-3 -40
CASE-TO-CASE SUCTION LINE SUB-FEED BRANCH LINE SIZING														
R404A FF	5/8"	7/8"	7/8"	7/8"	7/8"	7/8"	1 1/8"	1 1/8"	1 1/8"	1 1/8"	1 1/8"	1 1/8"	1 1/8"	1 3/8"
R404A IC	5/8"	7/8"	7/8"	7/8"	1 1/8"	1 1/8"	1 1/8"	1 1/8"	1 1/8"	1 1/8"	1 3/8"	1 3/8"	1 3/8"	1 3/8"

DEFROST CONTROL				PRESSURE SETTINGS			EPR SETTINGS	
PER DAY	MODE	TIME	TERM.		CUT IN	CUT OUT	R22	R404A
1	ELECT / FF	60 MIN.	60F	FF	16# @ R22	8# @ R22	12#	---
2	ELECT / IC	60 MIN.	60F	IC	12# @ R22	4# @ R22	8#	---
2	HOT GAS / FF	18-20 MIN.	55F	FF	23# @ R404A	14# @ R404A	---	19#
2	HOT GAS / IC	20-25 MIN.	55F	IC	19# @ R404A	9# @ R404A	---	14#

CASE CIRCUITS: This case requires a separate 120V circuit for fans, lights, anti-sweats, and a 208V circuit for Electric Defrost (if used). The fan circuit for Gas Defrost includes the drain pan heater which is on only when the fans are off. The anti-sweat circuit feeds power to both the cyclable and non-cyclable heaters. When an Energy Saving Anti-Sweat Controller is used a relay is added and a jumper is removed to control the cyclable heaters.

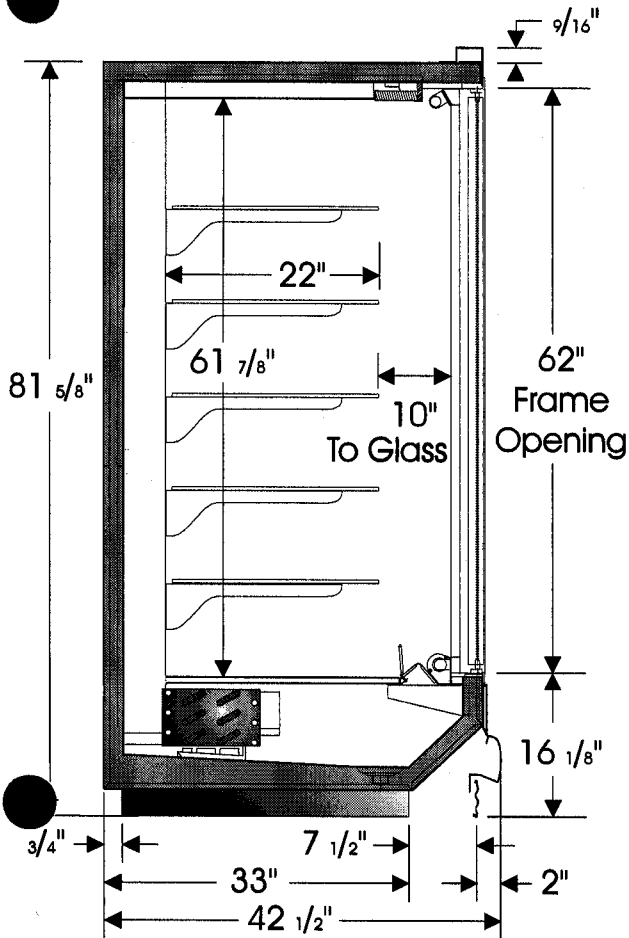
The temperature control mode used should prevent excessively low discharge air temps which irritates product frosting. This limit should be -12F.

CASE BTUH REQUIREMENTS are calculated to produce approximately the indicated entering air temperature with absolute maximum operating ambient limits of 75F & 55RH.

The information contained herein is based on technical data and tests which we believe to be reliable and is intended for use by persons having technical skill, at their own discretion and risk. Since conditions of use are outside Tyler's control, we can assume no liability for results obtained or damages incurred through the applications of the data presented. SPECIFICATIONS ARE SUBJECT TO CHANGE WITHOUT NOTICE.

Corel VENTURA 5.0 - L5FG.PUB

L5FGA FROZEN FOOD & ICE CREAM GLASS DOOR CASE (ARDCO)



120 VOLT ELECTRICAL DATA (AMPS)					
DRS	STD. FANS		ECM FANS		ANTI-SWT
	H.G.	ELEC.	H.G.	ELEC.	
2	1.5	1.2	.9	.6	2.9
3	2.2	1.8	1.3	.9	4.2
4	2.8	2.5	1.5	1.2	5.5
5	3.5	3.0	2.0	1.5	6.8

120 VOLT LIGHTING DATA (AMPS)				
DRS	HORIZONTAL		VERT T8	VERT H.O.
	V.H.O.	H.O.		
2	2.9	1.6	1.6	3.2
3	2.9	2.1	2.1	3.2
4	5.8	3.1	2.6	4.8
5	6.0	3.1	3.2	4.8

ALLOW 3" SPACE between the back of this case and the store wall, other cases or coolers to minimize possible condensation problems. FORCED VENTILATION may be necessary in some situations.

