

# L6FA MULTISHELF FROZEN FOOD CASE

<b>MODEL</b>	L6FA*	L6FA	L6FA
<b>USAGE</b>	FROZEN	MEAT	DAIRY
<b>BTUH/FT</b>	1742	1637	1555
<b>SUCTION°</b>	-20F	+15F	+25F
<b>ENTER AIR°</b>	-10F	+24F	+35F

\*NOTE: L6F6A FROZEN FOOD CASE HAS 2317 BTUH/FT WHEN USED AS A STAND ALONE CASE.

NOTE: COMPRESSOR SIZING SHOULD ALLOW FOR SUCTION LINE PRESSURE DROP.

THE ABOVE RATINGS ARE FOR COMPRESSOR SELECTION ONLY. FOR ENERGY CALCULATION DATA REFER TO THE ENERGY SECTION. FOR COMPRESSOR SIZING INFORMATION REFER TO THE "GOLD" SECTION & FOR LINE SIZING INFORMATION REFER TO THE "BUFF" SECTION OF THE TYLER SPECIFICATION GUIDE.

208 VOLT DEFROST (AMPS)									
FT	6	8	12	16	20	24	28	32	36
3 PH	11.2 DF-3-30	15.0 DF-3-30	23.0 DF-3-30	15.0/15.0 DF-3-30 -30	15.0/23.0 DF-3-30 -30	23.0/23.0 DF-3-30 -30	15/15/23 DF-3-30 -30-30	15/23/23 DF-3-30 -30-30	23/23/23 DF-3-30 -30-30
CASE-TO-CASE SUCTION LINE SUB-FEED BRANCH LINE SIZING									
R404A	7/8"	1 1/8"	1 1/8"	1 3/8"	1 3/8"	1 5/8"	1 5/8"	1 5/8"	2 1/8"

DEFROST CONTROL				PRESSURE SETTINGS		EPR SETTINGS	
PER DAY	MODE	TIME	TERM.	CUT IN	CUT OUT	R22	R404A
2-3	ELECT	40 MIN.	55F	13# @ R22	7# @ R22	10#	---
3-4	HOT GAS	20-25 MIN.	60F	20# @ R404A	12# @ R404A	---	16#

**CASE CIRCUITS:** In addition to the 208V Defrost Circuit, there is the 120V Case Fan Circuit plus the 120V Case Anti-Sweat Heater Circuit. Shelf or Canopy lights require a separate 120V circuit which can be switched at the back room for convenience in controlling the lights.

**ELECTRICAL DEFROST:** Requires a 3 Phase 208V supply for the defrost heaters, controlled by the defrost clock and breaker(s) at the machine panel, a 3 pole contactor, and defrost limit switch in each case. Setting of the switch is 52F.

**GAS DEFROST:** Uses a limit thermostat, along with a primary fan klaxon which cycles the primary fans **OFF** above 60F.

**Ambient Air Band:** This case has a third air band which directs ambient air in front of the Air Screens to provide an extra barrier to warm air infiltration.

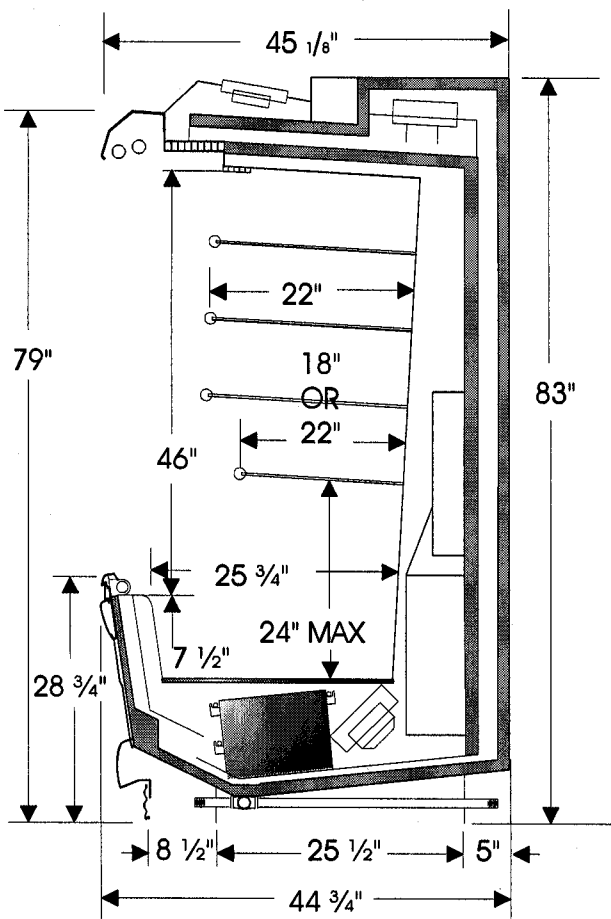
**Pressure Control Settings:** W/O Thermostat & Solenoid, 13# Cut-In, 7# Cut -Out. (With Thermostat & Solenoid, 19# Cut-In, 0# Cut-Out - OPTIONAL)

**CASE BTUH REQUIREMENTS** are calculated to produce approximately the indicated entering air temperature with absolute maximum operating ambient limits of **75F & 55RH**.

The information contained herein is based on technical data and tests which we believe to be reliable and is intended for use by persons having technical skill, at their own discretion and risk. Since conditions of use are outside Tyler's' control, we can assume no liability for results obtained or damages incurred through the applications of the data presented. SPECIFICATIONS ARE SUBJECT TO CHANGE WITHOUT NOTICE.

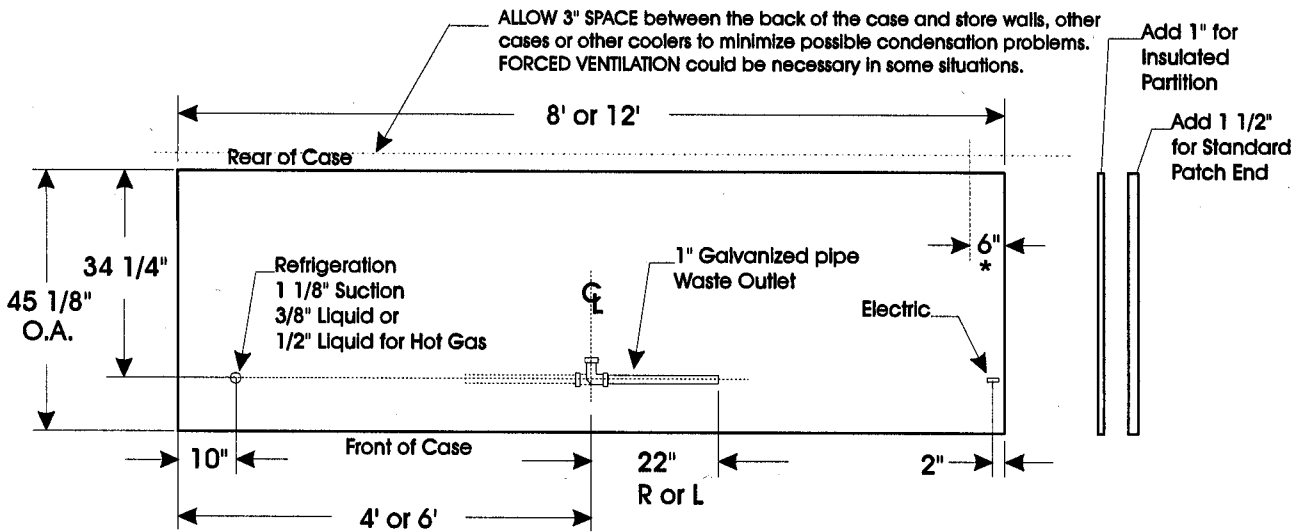
Corel VENTURA 5.0 - C:\Ratings\Frozen\L6F.PUB

# L6FA MULTISHELF FROZEN FOOD CASE



120 VOLT ELECTRICAL DATA (AMPS)			
FT	STD. FANS	ECM FANS	ANTI-SWT
6	3.2	1.3	1.5
8	3.8	1.9	2.4
12	5.0	2.5	3.5

120 VOLT LIGHTING (AMPS) T-8/ ELECTRONIC BALLASTS		
FT	STD. LIGHTS (2 ROW CANOPY, 1 ROW NOSE)	OPTIONAL 800 MA LIGHTS (2 ROW CANOPY, 1 ROW NOSE)
6	1.6	3.4
8	1.8	3.7
12	2.6	6.3



ALLOW 3" SPACE between the back of the case and store walls, other cases or other coolers to minimize possible condensation problems. FORCED VENTILATION could be necessary in some situations.

DO NOT RUN LIQUID LINE INSIDE OF CASE  
ONE FLOOR DRAIN CAN SERVE 2 CASES

\* 208 Volt circuit is required at the top of this case for the defrost contactor

Corel VENTURA 5.0 - C:\Ratings\Frozen\L6F.PUB