

LIFT FRONT CURVED GLASS BLOWER SERVICE CASE

Tyler Refrigeration Corporation

Single Unit Rating is 440 Btuh/Ft. @ 20°F Suction Temp.
Parallel System Rating is 290 Btuh/Ft. @ 15°F Suction Temp. **CHART #2**

CASE MODELS	LINEAL FEET	75°F (24°C) Store 1000 Btuh/hr Req'd.	CONDENSING UNIT SELECTION CHART R-22					LINE SIZING					ELECTRICAL DATA							
			AIR ENTERING THIS CONDENSING UNIT THN (Remote) Units can be selected provided Condenser is sized for 10-15F TD or less.					SUCTION LINE					LIQUID	208 V DEFOST			115 VOLT DATA			
			85F	90F	95F	100F	105F	M	E	T	E	R		ONE PHASE TOTAL AMPS	DEFOST CONTROL REQD 3-PHASE	THREE PHASE HIGH LEG(S)	Fan Amps HEF STD. (A)	STD. A/S Amps (B)	STD. Case Lite Amps (C)	OPT. Floor Lite Amps (D)
			30C	32C	35C	38C	41C	15	30	45	60	75		50	100	150	200	250		
					Equivalent Feet															
8'	12'																			
	6	2.6											3/8		TC		.7			
	8	3.5											1/2"				.7			
	12	5.3											5/8"				1.0	.9	2.4	.7
1																	1.1			
	16	7.0															1.5	1.3	3.6	1.2
2																	1.4			
	20	8.8															2.0	2.0	4.6	1.4
1																	1.8			
	24	10.6															2.5	2.3	5.9	1.9
2																	2.2			
	28	12.3															3.0	2.6	7.2	2.4
1																	2.5			
	32	14.1															3.5	3.3	8.2	2.6
2																	2.8			
	36	15.8															4.0	3.6	9.5	3.1
1																	3.3			
	40	17.6															4.5	3.9	10.8	3.6
2																	3.5			
	44	19.4															5.0	4.6	11.8	3.8
1																	4.0			
																	5.5	4.9	13.1	4.3

- CASE CIRCUITS: (115-1-60) - (A)** Includes Standard or HEF (Hi-Efficiency) fans - **(B)** Includes Anti-sweat heater only - **(C)** Includes 1 row of 430MA SP35 lights in the interior + 2 rows of shelves - **(D)** Includes Optional 430MA Floor Light - NOTE: 800MA lights are not recommended for these cases since they promote drying and reduce product life.
- CONVENIENCE OUTLET CIRCUITS:** One single convenience outlet is on the back of the 6' case and two single convenience outlets are on the back of the 8' & 12' cases. Plan suitable 15A circuits for these 115 volt outlets.
- An Evaporator Pressure Regulator should be installed on each system to aid in temperature control. Set the EPR for 34 PSIG (R-22)
- Pressure control settings shown in table below are for back up purposes only. The actual temperature control should be set by the close differential thermostat setting for this case = CUT IN @ 30°F and CUT OUT @ 25°F.

CHART #3

ANNUAL COMPARATIVE OPERATING COST PER FOOT OF CASE (C.O.C.)							CONTROL SETTINGS (R-22)			
CASE	Fans/HEF*	A/S Heat	Lights	208V Defrost	Condensing Unit	TOTALS††	DEFROST CONTROL			PRESSURE
	\$.767/ .54	\$1.10	\$.55		\$4.78	\$ 7.20	Per Day	Mode	Fail-Safe	CUT IN:
8'	70w/50w	115w	108w		w/Opt.HEF Motors	\$ 6.97	1	Timed Off	46 Min.	41#
12'	105w/75w	152w	152w		NET SAVINGS	\$.23				CUT OUT:
										28#

Case Ft. x C.O.C. = "Cost per Year" @ 1¢/KWH. USE TOTALS TO COMPARE CASES & OPTIONS! *HEF = Hi-Efficiency Fans. ††@ 1¢/KWH

CASE BTUH REQUIREMENTS are calculated to produce approximately the indicated entering case air temp with absolute maximum operating ambient limits of 75F & 55% RH. **SUCTION LINE SIZING:** Select the point of intersection of the case line-up and the equivalent footage. Allow for all fittings in addition to the actual line length. **STEP SIZING** is suggested for selections falling in the first half of a size range. Pipe one size smaller can be used on the 50' of the run closest to the cases when the entire run is 100 equivalent feet or more. **LIQUID LINE SIZING** is based on 5lb. pressure drop in 150' of line. See complete line size charts in front of the TYLER SPEC GUIDE BOOK.

The information contained herein is based on technical data and tests which we believe to be reliable and is intended for use by persons having technical skill, at their own discretion and risk. Since conditions of use are outside Tyler's control, we can assume no liability for results obtained or damages incurred through the applications of the data present. SPECIFICATIONS ARE SUBJECT TO CHANGE WITHOUT NOTICE. Printed in the U.S.A.

Tyler Spec Sheet

M-26

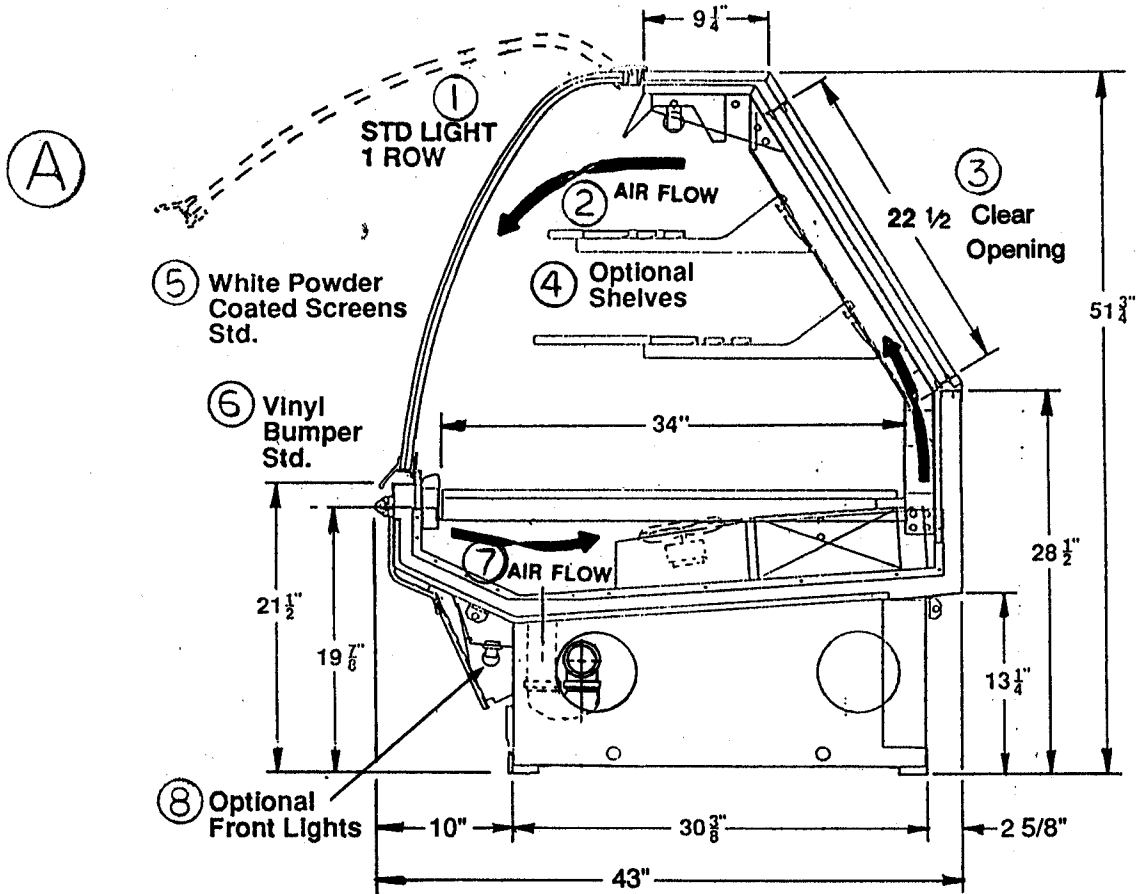
SG 02000

Repl. 9/91

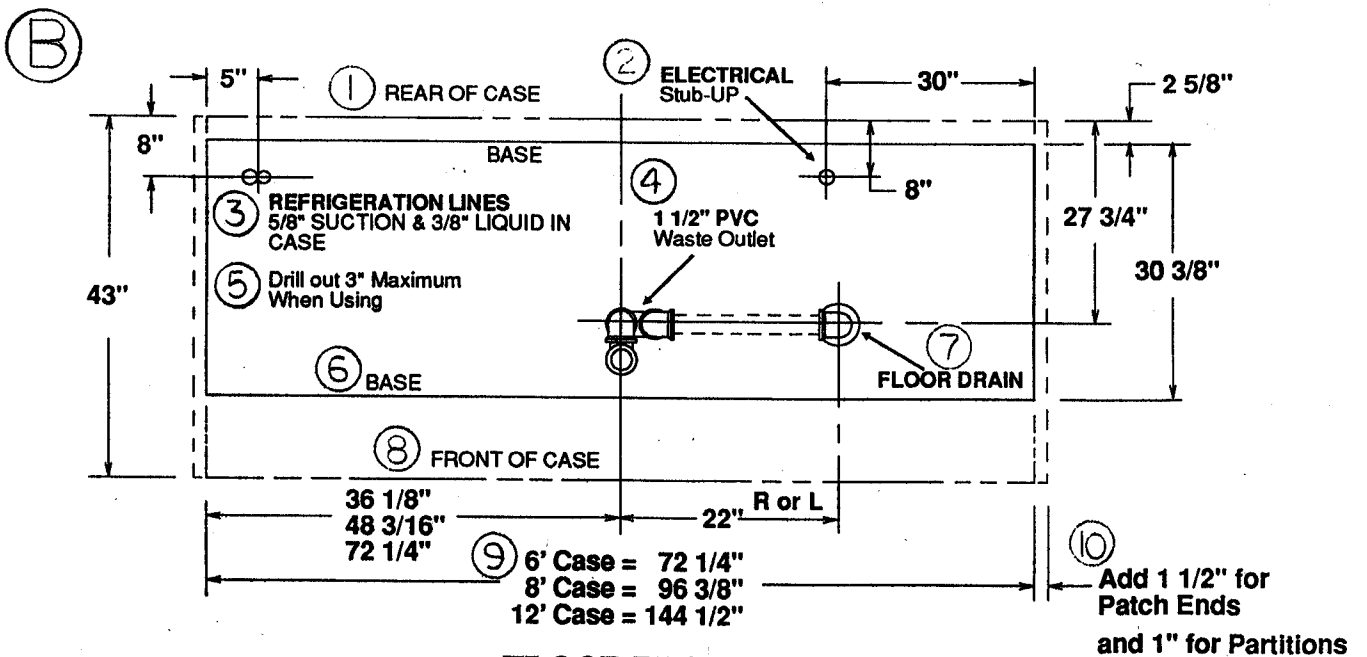
Rev. 11/93

LCD

LIFT FRONT CURVED GLASS BLOWER SERVICE CASE



CROSS SECTION



FLOOR PLAN