

LIFT FRONT CURVED GLASS GRAVITY SERVICE CASE

Tyler Refrigeration Corporation

Single Unit Rating is 350 Btuh/Ft. @ 20°F Suction Temp.

Parallel System Rating is 230 Btuh/Ft. @ 15°F Suction Temp. **CHART #2**

CASE MODELS	LINEAL FEET	75°F (24°C) Store 1000 Btuh/hr Req'd.	CONDENSING UNIT SELECTION CHART R-22					LINE SIZING					ELECTRICAL DATA							
			AIR ENTERING THIS CONDENSING UNIT THIN (Remote) Units can be selected provided Condenser is sized for 10-15°F TD or less.					SUCTION LINE					208 V DEFROST			120 VOLT DATA				
			85F 30C	90F 32C	95F 35C	100F 38C	105F 41C	M	E	T	E	R	LIQUID	ONE PHASE TOTAL AMPS	DEFROST CONTROL REQD 3-PHASE	THREE PHASE HIGH LEG(S)	Fan Amps HEF STD. (A)	STD. A/S Amps (B)	STD. Lite Amps (C)	OPT. Floor Lite Amps (D)
			15	30	45	60	75	50	100	150	200	250								
8'	12'																			
	6	2.1									3/8"		TC		N/A	.9	2.4	.7		
1	8	2.8									1/2"					1.0	2.6	.7		
	12	4.2														1.3	3.6	1.2		
2	16	5.6									5/8"					2.0	5.2	1.4		
1	20	7.0														2.3	6.2	1.9		
	24	8.4														2.6	7.2	2.4		
2	28	9.8														3.3	8.8	2.6		
1	32	11.2									7/8"					3.6	9.8	3.1		
	36	12.6														3.9	10.8	3.6		
2	40	14.0														4.6	12.4	3.8		
1	44	15.4														4.9	13.4	4.3		

- **CASE CIRCUITS:** (120-1-60) - (B) Includes Anti-sweat heater only - (C) Includes 1 row of 430MA SP35 lights in the interior + 1 row of shelves (see shelving note below) - (D) Includes Optional 430MA Floor Light - NOTE: 800MA lights are not recommended for these cases since they promote drying and reduce product life.
- **CONVENIENCE OUTLET CIRCUIT:** One single convenience outlet is on the back of the 6' case, and two single convenience outlets are on the back of the 8' & 12' cases. Plan suitable 15A circuits for these 120 volt outlets.
- An Evaporator Pressure Regulator should be installed on each system to aid in temperature control. Set the EPR for 34 PSIG (R-22)
- Shelves in Gravity Coil cases disrupt air flow and can compromise performance. Shelves work better in Blower style cases.
- Pressure Control Settings shown in table below are for back up purposes only. The actual temperature control should be set by the thermostat. LCM setting for this case = CUT IN @ 29°F and CUT OUT @ 19°F. LCF setting for this case = CUT IN @ 34°F and CUT OUT @ 33°F.
- **NOTE:** The Fish version (LCF) has a Top Coil only. If used as an Ice Retarder only, the rating is 150 Btuh/Ft. @ 20 Suction Temp. If not used with ice display use the ratings shown above.

CHART #3

ANNUAL COMPARATIVE OPERATING COST PER FOOT OF CASE (C.O.C.)

CONTROL SETTINGS (R-22)

CASE	Fans/HEF*	A/S Heat	Lights	208V Defrost	Condensing Unit	TOTALS††	DEFROST CONTROL			PRESSURE
							Per Day	Mode	Fail-Safe	
		\$1.10	\$0.55		\$2.45	\$4.10				CUT IN:
8'		115w	108w		w/Opt.HEF Motors		1	Timed Off	80 Min.	41#
12'		152w	152w		NET SAVINGS					CUT OUT:
										28#

Case Ft. x C.O.C. = *Cost per Year @ 1c/KWH. USE TOTALS TO COMPARE CASES & OPTIONS! *HEF = Hi-Efficiency Fans. ††@ 1c/KWH

CASE BTUH REQUIREMENTS are calculated to produce approximately the indicated entering case air temp with absolute maximum operating ambient limits of 75F & 55% RH. **SUCTION LINE SIZING:** Select the point of intersection of the case line-up and the equivalent footage. Allow for all fittings in addition to the actual line length. **STEP SIZING** is suggested for selections falling in the first half of a size range. Pipe one size smaller can be used on the 50' of the run closest to the cases when the entire run is 100 equivalent feet or more. **LIQUID LINE SIZING** is based on 5lb. pressure drop in 150' of line. See complete line size charts in front of the TYLER SPEC GUIDE BOOK.

The information contained herein is based on technical data and tests which we believe to be reliable and is intended for use by persons having technical skill, at their own discretion and risk. Since conditions of use are outside Tyler's control, we can assume no liability for results obtained or damages incurred through the applications of the data presented. **SPECIFICATIONS ARE SUBJECT TO CHANGE WITHOUT NOTICE.** Printed in the U.S.A.

Tyler Spec Sheet

M-24

SG 02002

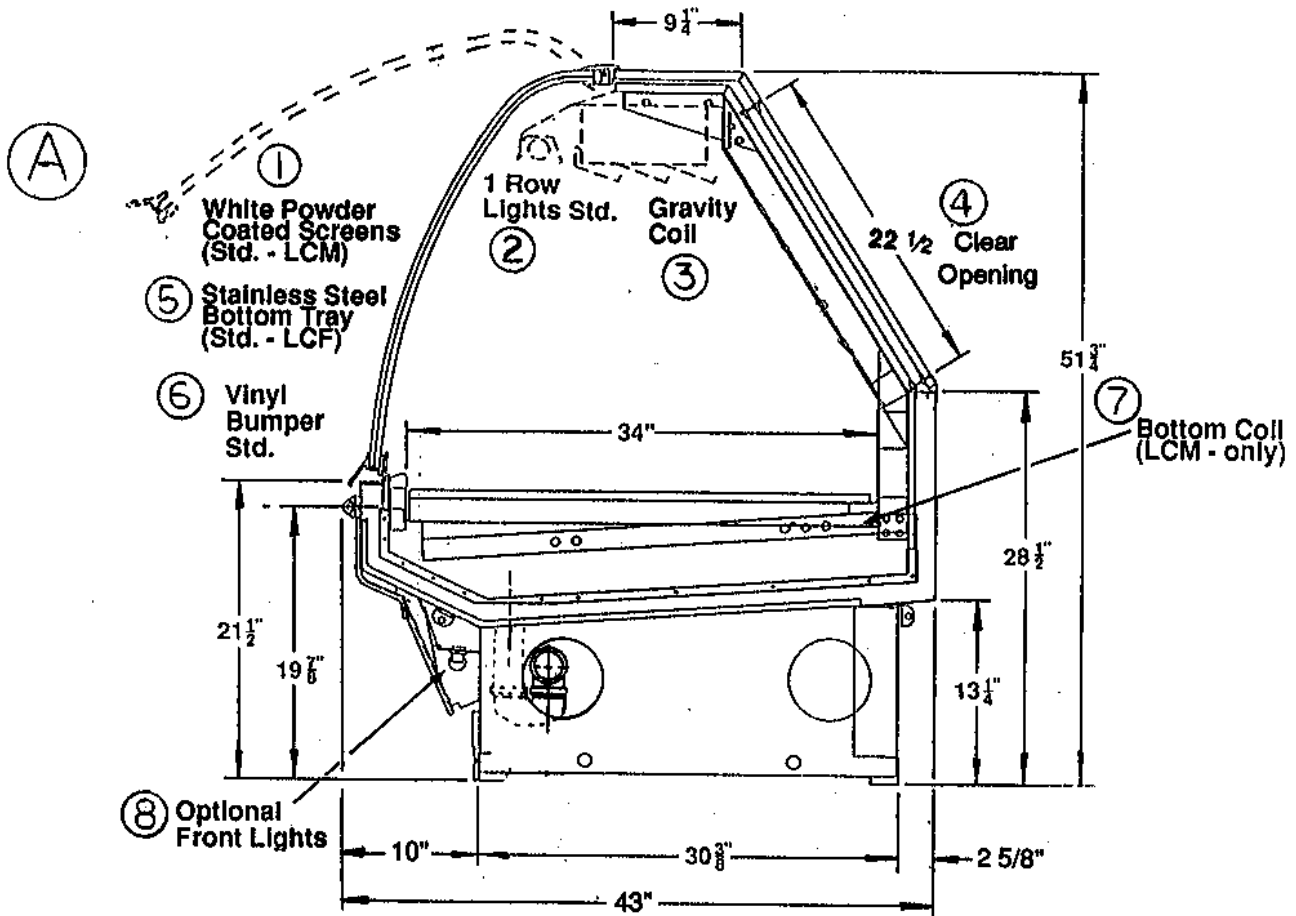
Repl. 9/91

Rev. 11/93

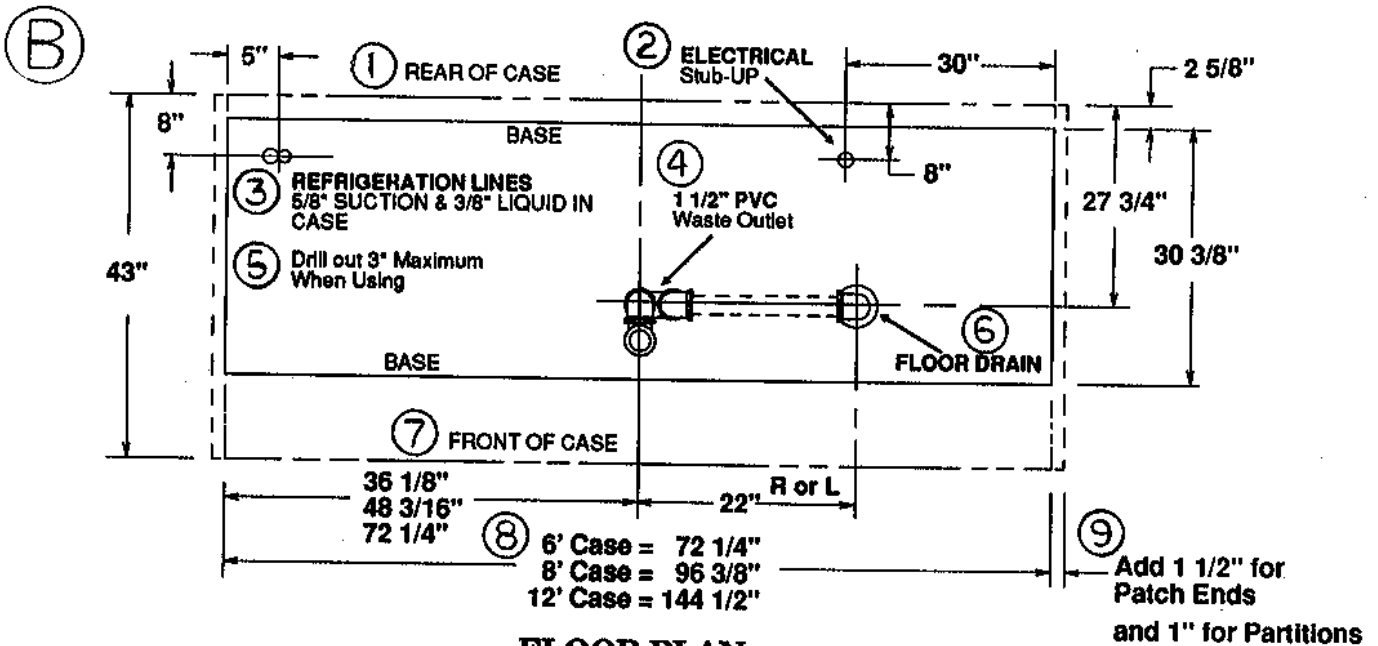
LCM
LCF

C:\MANUALS\ILC\SPEC\CHARTS\CHART#3.CHP

LIFT FRONT CURVED GLASS GRAVITY SERVICE CASE



CROSS SECTION



FLOOR PLAN