

**LLM/LLF LIFT FRONT CURVED GLASS GRAVITY SERVICE CASE  
LLD LIFT FRONT CURVED GLASS BLOWER SERVICE CASE**

MODEL	LLM/LLF	LLM/LLF	LLF	LLD	LLD
USAGE	SINGLE UNIT GRAVITY MEAT/FISH	PARALLEL SYSTEM GRAVITY MEAT/FISH	ICED DISPLAY GRAVITY FISH	SINGLE UNIT FORCED AIR DELI	PARALLEL SYSTEM FORCED AIR DELI
BTUH/FT	350	230	150	440	290
SUCTION*	+20F	+15F	+20F	+20F	+15F

NOTE: COMPRESSOR SIZING SHOULD ALLOW FOR SUCTION LINE PRESSURE DROP.

THE ABOVE RATINGS ARE FOR COMPRESSOR SELECTION ONLY. FOR ENERGY CALCULATION DATA REFER TO THE ENERGY SECTION. FOR COMPRESSOR SIZING INFORMATION REFER TO THE "GOLD" SECTION & FOR LINE SIZING INFORMATION REFER TO THE "BUFF" SECTION OF THE TYLER SPECIFICATION GUIDE.

CASE-TO-CASE SUCTION LINE SUB-FEED BRANCH LINE SIZING											
FT	6'	8'	12'	18'	20'	24'	28'	32'	36'	40'	44'
R22 SINGLE GRAVITY	3/8"	3/8"	1/2"	1/2"	5/8"	5/8"	5/8"	5/8"	7/8"	7/8"	7/8"
R22 PARALLEL GRAVITY	3/8"	3/8"	3/8"	1/2"	1/2"	1/2"	1/2"	5/8"	5/8"	5/8"	5/8"
R22 GRAVITY FISH	3/8"	3/8"	3/8"	3/8"	3/8"	1/2"	1/2"	1/2"	1/2"	1/2"	1/2"
R22 SINGLE FORCED AIR	3/8"	1/2"	1/2"	5/8"	5/8"	5/8"	5/8"	7/8"	7/8"	7/8"	7/8"
R22 PARALLEL FORCED AIR	3/8"	3/8"	1/2"	1/2"	1/2"	5/8"	5/8"	5/8"	5/8"	5/8"	7/8"

DEFROST CONTROL			BACKUP PRESSURE SETTING*		EPR SETTINGS**	
PER DAY	MODE	TIME	CUT IN	CUT OUT	R22	R404A
1 GRAVITY	TIME OFF	110 MIN.	34# @ R22	24# @ R22	37#	---
1 FORCED AIR	TIME OFF	48 MIN.	34# @ R22	24# @ R22	37#	---

\* Used with Thermostat or EPR Control.  
\*\* Set EPR to give this pressure at the case.

**CONVENIENCE OUTLET CIRCUIT:** One single convenience outlet is on the back of the 6' case and two single convenience outlets are on the back of the 8' & 12' cases. Plan suitable 15A circuits for these 120v outlets.

An evaporator Pressure Regulator should be installed on each system to aid in temperature control. Set the EPR for 34 PSIG (R-22).

Shelves in Gravity Coil cases disrupt air flow and can compromise performance. Shelves work better in Blower style cases.

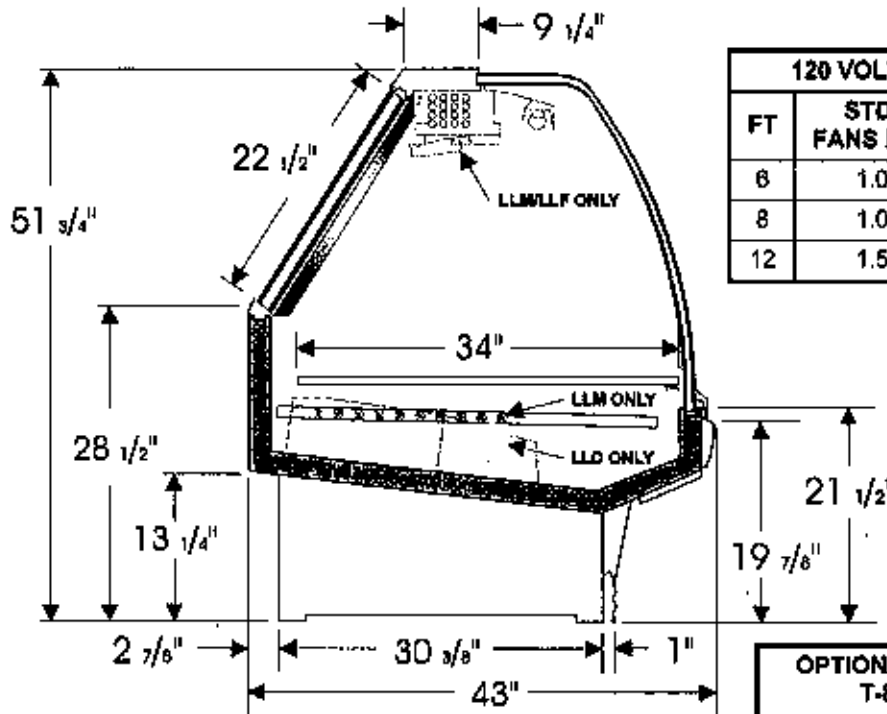
Pressure Control Settings shown in the above table are for backup purposes only. The actual temperature control should be set by the thermostat. LLM setting for this case = CUT IN @ 29F and CUT OUT @ 19F. LLF setting for this case = CUT IN @ 34F and CUT OUT @ 33F.

**CASE BTUH REQUIREMENTS** are calculated to produce approximately the indicated entering air temperature with absolute maximum operating ambient limits of 75F & 55RH.

The information contained herein is based on technical data and tests which we believe to be reliable and is intended for use by persons having technical skill, at their own discretion and risk. Since conditions of use are outside Tyler's control, we can assume no liability for results obtained or damages incurred through the applications of the data presented. SPECIFICATIONS ARE SUBJECT TO CHANGE WITHOUT NOTICE.

CORN VENTURA 5.0 - LLM(DD)1.PUB

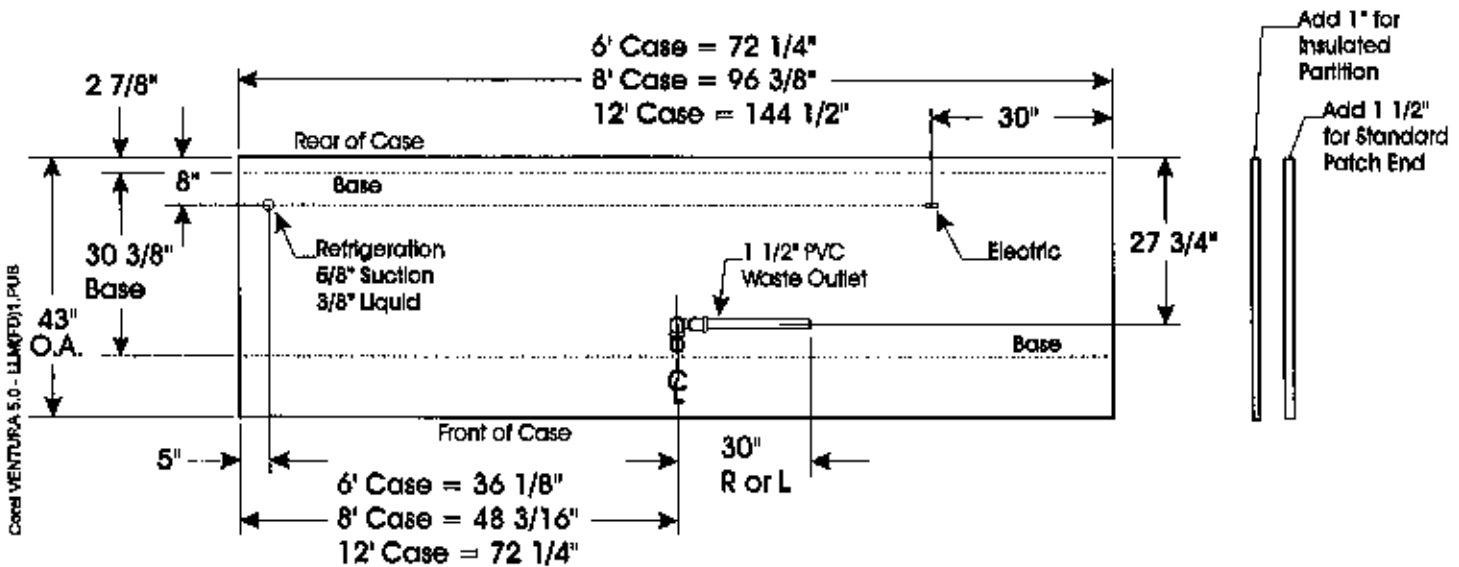
**LLM/LLF LIFT FRONT CURVED GLASS GRAVITY SERVICE CASE**  
**LLD LIFT FRONT CURVED GLASS BLOWER SERVICE CASE**



120 VOLT ELECTRICAL DATA (AMPS)			
FT	STD. FANS LLD	ECM FANS LLD	ANTI-SWEAT LLD only
6	1.0	.4	.9
8	1.0	.4	1.0
12	1.5	.6	1.3

STANDARD 120 VOLT LIGHTING (AMPS) T-8/ ELECTRONIC BALLASTS (CANOPY)			
ROW	8'	8'	12'
1	.5	.6	.9
OPTIONAL FLOOR LIGHT			
1	.5	.6	.9

OPTIONAL 120 VOLT LIGHTING (AMPS) T-8 ELECTRONIC BALLASTS (SHELVES)			
ROW	8'	8'	12'
1	.5	.6	.9
2	1.0	1.2	1.8



Case VENTURA 5.0 - LLM/LLF/LLD.PUB