

LM OPEN TOP DISPLAY MEAT CASE LMG GLASS FRONT TOP DISPLAY MEAT CASE

MODEL	LM	LMG
USAGE	MEAT	MEAT
BTUH/FT	475	425
SUCTION*	+15F	+15F
ENTER AIR*	+24F	+24F

NOTE: COMPRESSOR SIZING SHOULD ALLOW FOR SUCTION LINE PRESSURE DROP.

THE ABOVE RATINGS ARE FOR COMPRESSOR SELECTION ONLY. FOR ENERGY CALCULATION DATA REFER TO THE ENERGY SECTION. FOR COMPRESSOR SIZING INFORMATION REFER TO THE "GOLD" SECTION & FOR LINE SIZING INFORMATION REFER TO THE "BUFF" SECTION OF THE TYLER SPECIFICATION GUIDE.

208 VOLT DEFROST (AMPS)														
FT	8	12	16	20	24	28	32	36	40	44	48	52	56	60
MEAT 1 PH	6.9 TG-30	10.3 TG-30	13.8 TG-30	17.2 TG-30	20.6 TG-30	24.1 TG-40	27.5 TG-40	30.9 TG-40	34.3 TG-50	37.8 TG-50	41.2 TG-50	44.6 TG-50	N/A	N/A
MEAT 3 PH	N/A	N/A	12.0 TG-3-30	15.0 TG-3-30	18.0 TG-3-30	15.0 TG-3-30	18.0 TG-3-30	18.0 TG-3-30	21.0 TG-3-30	25.0 TG-3-40	28.0 TG-3-40	30.0 TG-3-40	33.0 TG-3-50	36.0 TG-3-50
CASE-TO-CASE SUCTION LINE SUB-FEED BRANCH LINE SIZING														
R22 MEAT OPEN	1/2"	1/2"	5/8"	5/8"	5/8"	7/8"	7/8"	7/8"	7/8"	7/8"	7/8"	7/8"	7/8"	7/8"
R22 MEAT GLASS	1/2"	1/2"	5/8"	5/8"	5/8"	7/8"	7/8"	7/8"	7/8"	7/8"	7/8"	7/8"	7/8"	7/8"

DEFROST CONTROL				BACKUP PRESSURE SETTING**		EPR SETTINGS***	
PER DAY	MODE	TIME	TERM.	CUT IN	CUT OUT	R22	R404A
2	TIME OFF	60 MIN.	---	34# @ R22	24# @ R22	37#	---
2	ELECTRIC	36 MIN.	50F				
4	HOT GAS	12-15 MIN.	55F*	34# @ R22	24# @ R22	37#	---

* If an Electronic Sensor is used for termination, it should be set at 70°F termination temperature.

** Used with Thermostat or EPR Control.

*** Set EPR to give this pressure at the case.

DEFROST CIRCUITS: OFF CYCLE defrost is standard (use TC defrost module) - **OPTIONAL ELECTRIC** defrost uses a single or 3 phase circuit - **OPTIONAL HOT GAS** defrost uses 2 control wires @208v per lineup - **OPTIONAL AIR DEFROST** (use DF-AD defrost module) requires 3 control wire @208v per lineup.

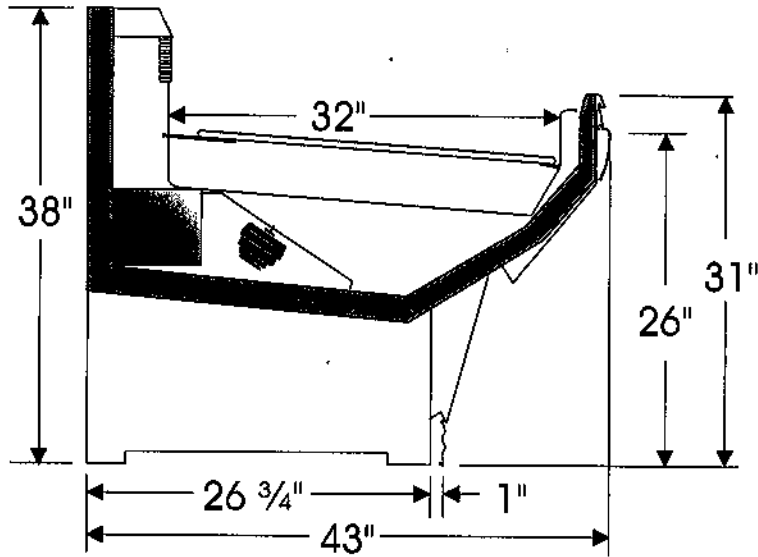
CASE BTUH REQUIREMENTS are calculated to produce approximately the indicated entering air temperature with absolute maximum operating ambient limits of 75F & 55RH.

AIR DEFROST is not available for LMG cases.

The information contained herein is based on technical data and tests which we believe to be reliable and is intended for use by persons having technical skill, at their own discretion and risk. Since conditions of use are outside Tyler's control, we can assume no liability for results obtained or damages incurred through the applications of the data presented. SPECIFICATIONS ARE SUBJECT TO CHANGE WITHOUT NOTICE.

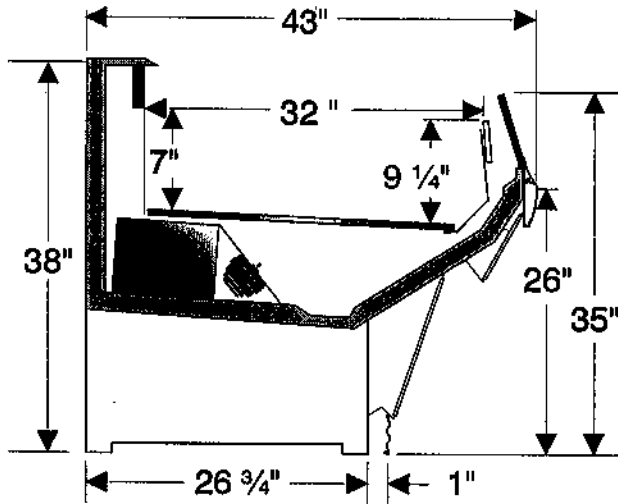
Case VENTURA 5.0 - LMG(P).PUB

LM OPEN TOP DISPLAY MEAT CASE
 LMG GLASS FRONT TOP DISPLAY MEAT CASE



LM CROSS SECTION

120 VOLT ELECTRICAL DATA (AMPS)			
FT	STD. FANS	ECM FANS	ANTI-SWT
LM 8	1.0	.4	.3
LM 12	1.5	.6	.4
LMG 8	1.0	.4	.6
LMG 12	1.5	.6	1.0



LMG CROSS SECTION

