

LPW/LPWE/LPWEELPE ISLAND PRODUCE CASE

MODEL	LPW	LPWE	LPWEE	LPE	LPW	LPWE	LPWEE	LPE	LPW	LPWE	LPWEE	LPE
USAGE	WRAP PROD	WRAP PROD	WRAP PROD	WRAP PROD	BULK PROD	BULK PROD	BULK PROD	BULK PROD	CHEESE W/GLASS FRONT	CHEESE W/GLASS FRONT	CHEESE W/GLASS FRONT	CHEESE W/GLASS FRONT
BTUH/FT	850	962	1075	1375	800	912	1025	1295	970	1094	1218	1463
SUCTION°	+20F	+20F	+20F	+20F	+25F	+25F	+25F	+25F	+15F	+15F	+15F	+15F
ENTER AIR	+35F	+35F	+35F	+35F	+38F	+38F	+38F	+38F	+30F	+30F	+30F	+30F

NOTE: COMPRESSOR SIZING SHOULD ALLOW FOR SUCTION LINE PRESSURE DROP.

THE ABOVE RATINGS ARE FOR COMPRESSOR SELECTION ONLY. FOR ENERGY CALCULATION DATA REFER TO THE ENERGY SECTION. FOR COMPRESSOR SIZING INFORMATION REFER TO THE "GOLD" SECTION & FOR LINE SIZING INFORMATION REFER TO THE "BUFF" SECTION OF THE TYLER SPECIFICATION GUIDE.

CASE-TO-CASE SUCTION LINE SUB-FEED BRANCH LINE SIZING													
	3'	8'	12'	16'	20'	24'	28'	32'	36'	40'	44'	48'	
LPW WRAP	N/A	1/2"	5/8"	N/A	N/A	N/A	N/A	N/A	N/A	N/A	N/A	N/A	
LPW BULK	N/A	1/2"	5/8"	N/A	N/A	N/A	N/A	N/A	N/A	N/A	N/A	N/A	
LPW CHEESE	N/A	5/8"	5/8"	N/A	N/A	N/A	N/A	N/A	N/A	N/A	N/A	N/A	
LPWE WRAP	N/A	5/8"	5/8"	N/A	N/A	N/A	N/A	N/A	N/A	N/A	N/A	N/A	
LPWE BULK	N/A	5/8"	5/8"	N/A	N/A	N/A	N/A	N/A	N/A	N/A	N/A	N/A	
LPWE CHEESE	N/A	5/8"	7/8"	N/A	N/A	N/A	N/A	N/A	N/A	N/A	N/A	N/A	
LPWEE WRAP	N/A	N/A	7/8"	7/8"	7/8"	7/8"	7/8"	7/8"	1 1/8"	1 1/8"	1 1/8"	1 1/8"	
LPWEE BULK	N/A	N/A	5/8"	7/8"	7/8"	7/8"	7/8"	1 1/8"	1 1/8"	1 1/8"	1 1/8"	1 1/8"	
LPWEE CHEESE	N/A	N/A	7/8"	7/8"	7/8"	1 1/8"	1 1/8"	1 1/8"	1 1/8"	1 1/8"	1 1/8"	1 3/8"	
LPE WRAP	1/2"	N/A	N/A	N/A	N/A	N/A	N/A	N/A	N/A	N/A	N/A	N/A	
LPE BULK	1/2"	N/A	N/A	N/A	N/A	N/A	N/A	N/A	N/A	N/A	N/A	N/A	
LPE CHEESE	1/2"	N/A	N/A	N/A	N/A	N/A	N/A	N/A	N/A	N/A	N/A	N/A	

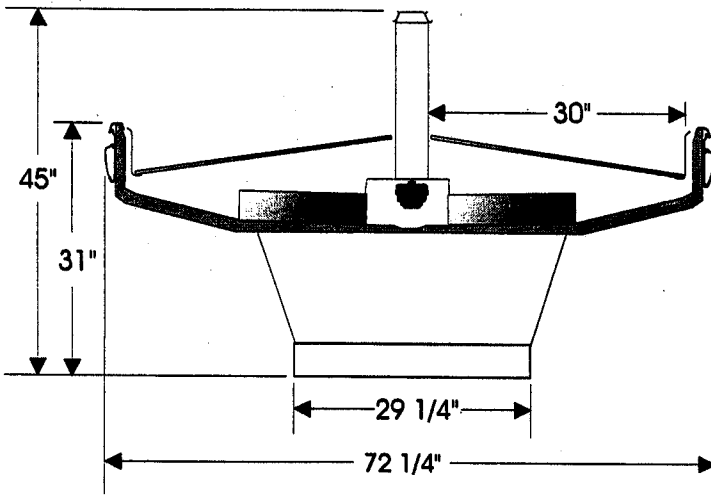
DEFROST CONTROL					EPR SETTINGS	
PER DAY	MODE	TIME	CUT IN	CUT OUT	R22	R404A
2 WRAP	TIME OFF	60 MIN.	65-68# @ R22	43-45# @ R22	43#	---
			80-84# @ 404A	55-58# @ 404A	---	55#
2 BULK	TIME OFF	60 MIN.	68-72# @ R22	45-54# @ R22	48#	---
			84-90# @ 404A	58-68# @ R404A	---	61#

CASE BTUH REQUIREMENTS are calculated to produce approximately the indicated entering air temperature with absolute maximum operating ambient limits of **75F & 55RH**.

The information contained herein is based on technical data and tests which we believe to be reliable and is intended for use by persons having technical skill, at their own discretion and risk. Since conditions of use are outside Tyler's control, we can assume no liability for results obtained or damages incurred through the applications of the data presented. SPECIFICATIONS ARE SUBJECT TO CHANGE WITHOUT NOTICE.

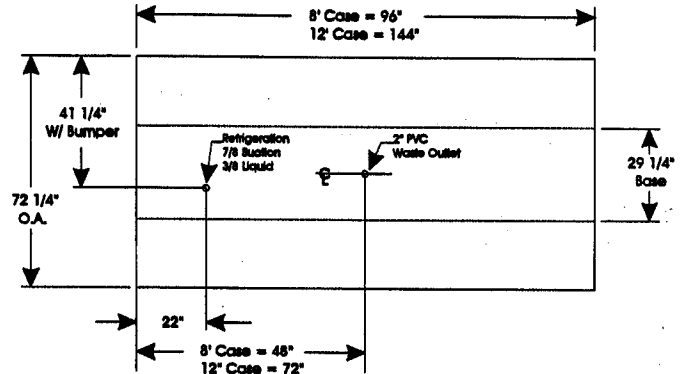
Corel VENTURA 5.0 - LPW(E).PUB

LPW/LPWE/LPWEE/LPE ISLAND PRODUCE CASE

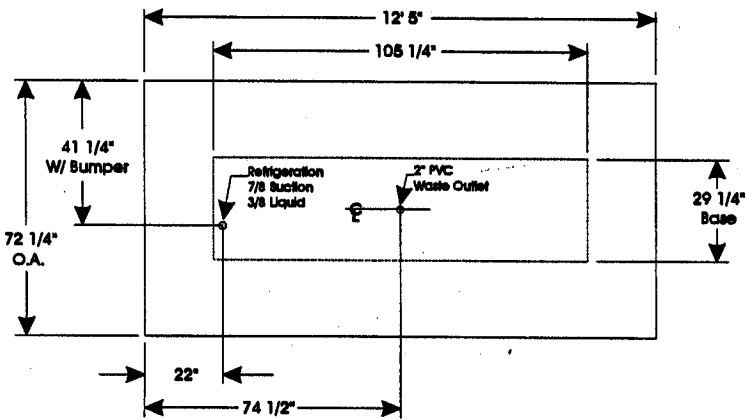


120 VOLT ELECTRICAL DATA (AMPS)		
LENGTH	STD. FANS	ECM FANS
3'	0.8	NA
8'	1.0	.4
12'	1.5	.6
16'	2.0	.8

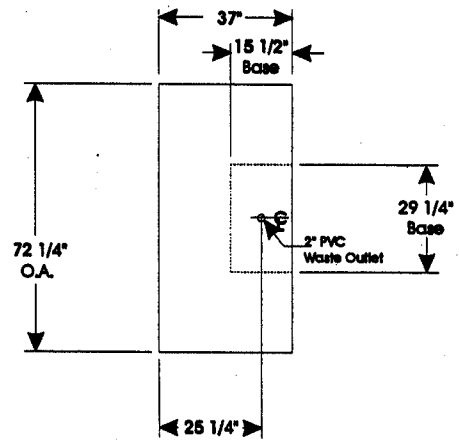
LPW8/12



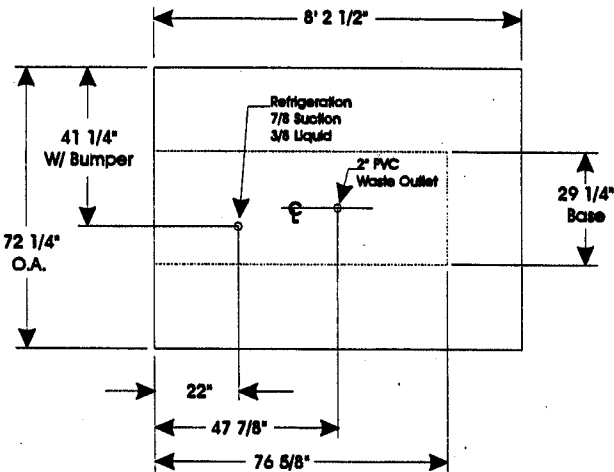
LPWE12



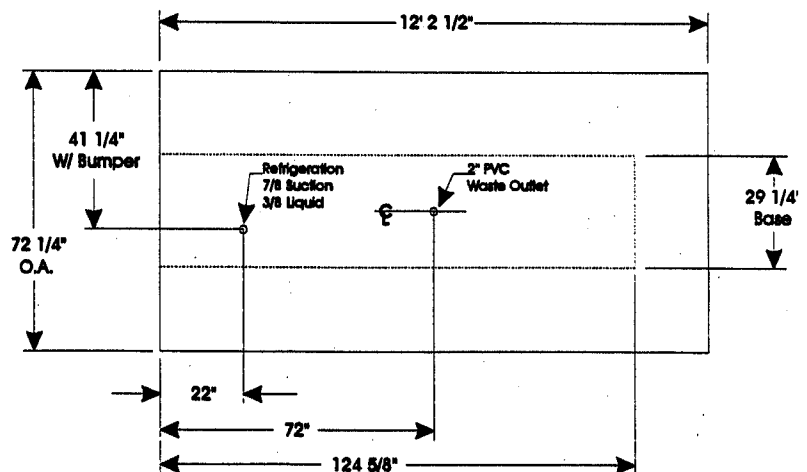
LPE



LPWE8



LPWE12



Cat: VENTURA 5.0 - LPWE(E).PUB