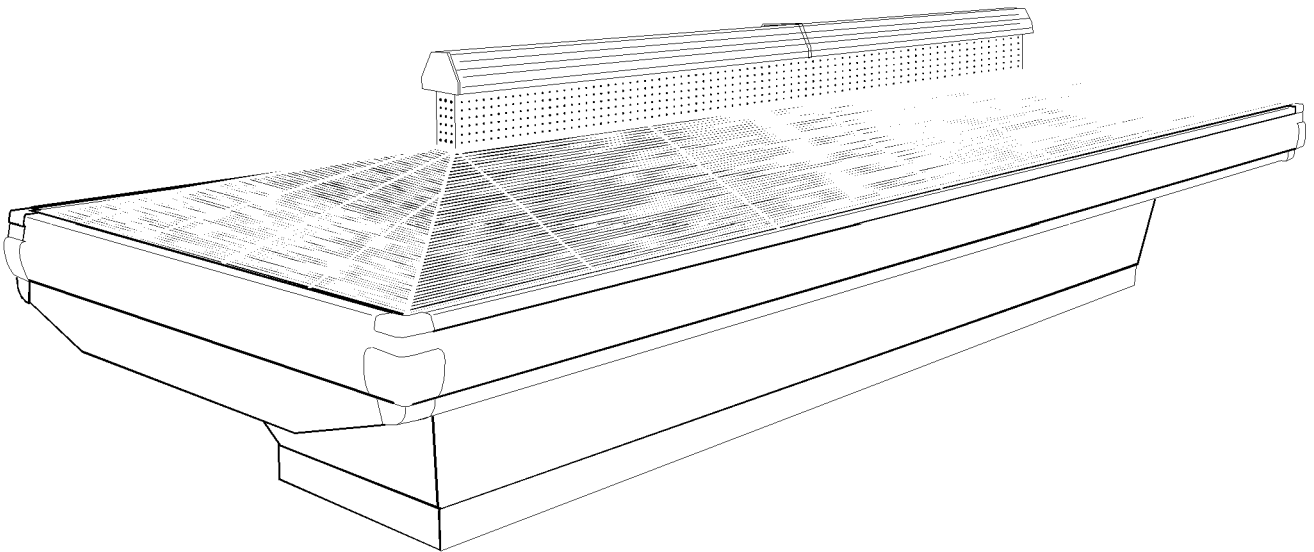


TYLER

series
Advantage



Installation & Service Manual



**LPW, LPWE, LPWEE, LPE,
LPWD, LPWDE, LPWDEE, LPDE**

ISLAND PRODUCE & CHEESE MERCHANDISERS

Medium Temperature & Non-Refrigerated Self Serve Display Cases

**This manual has been designed to be used in conjunction with the General
Installation & Service Manual.**

Save the Instructions in Both Manuals for Future Reference!!

This merchandiser conforms to the Commercial Refrigeration Manufacturers Association Health and Sanitation standard CRS-S1-96.

PRINTED IN U.S.A.	Specifications subject to change without notice.	REPLACES EDITION	1/97	ISSUE DATE	7/99	PART NO.	9027536	REV.	B
-------------------	--	------------------	------	------------	------	----------	---------	------	---

CONTENTS

	<u>Page</u>
Specifications	
LPW, LPWE, LPWEE, LPE Specification Sheets	4
Line Sizing Requirements (See General I&S Manual)	
Pre-Installation Responsibilities (See General I&S Manual)	
Installation Procedures	
Carpentry Procedures	6
Case Pull-Up Locations	6
Plexiglas Divider	6
Trim Installation/Alignment (See General I&S Manual)	
Plumbing Procedures (See General I&S Manual)	
Refrigeration Procedures (See General I&S Manual)	
Electrical Procedures	6
Electrical Considerations	6
Defrost Information	6
Defrost Control Chart	6
Installation Procedure Check Lists (See General I&S Manual)	
Wiring Diagrams	7
LPW/LPWE/LPWEE Domestic & Export (50Hz) Case Circuits	7
LPE Domestic & Export (50Hz) End Case Circuits	8
Cleaning and Sanitation (See General I&S Manual)	
General Information	
Water Spray Accessories	9
Produce Handling Tips	10
Produce Handling Chart	10

	<u>Page</u>
Service Instructions	
Preventive Maintenance (See General I&S Manual)	
Corner Trim Replacement	12
Fan Blade and Motor Replacement	12
Anti-Sweat Replacement	13
Color Band and Bumper Replacement . (See General I&S Manual)	
Parts Information	
Cladding and Optional Trim Parts Lists	14
LPW/LPWD	14
LPWE/LPWDE	16
LPWEE/LPWDEE	18
LPE/LPDE	20
Operational Parts List	22
TYLER Warranty (See General I&S Manual)	

The following Medium Temperature and Non-Refrigerated Produce and Cheese Merchandiser models are covered in this manual:

MODEL	DESCRIPTION
LPW	8' & 12' ISLAND PRODUCE/CHEESE MERCHANDISER
LPWE	8' & 12' ISLAND PRODUCE/CHEESE MERCHANDISER WITH ONE SHOP-AROUND END
LPWEE	12' ISLAND PRODUCE/CHEESE MERCHANDISER WITH TWO SHOP-AROUND ENDS
LPE	ISLAND END CASE PRODUCE/CHEESE MERCHANDISER
LPWD	8' & 12' NON-REFRIGERATED ISLAND PRODUCE/CHEESE MERCHANDISER
LPWDE	8' & 12' NON-REFRIGERATED ISLAND PRODUCE/CHEESE MERCHANDISER WITH ONE SHOP-AROUND END
LPWDEE	12' NON-REFRIGERATED ISLAND PRODUCE/CHEESE MERCHANDISER WITH TWO SHOP-AROUND ENDS
LPDE	NON-REFRIGERATED ISLAND END CASE PRODUCE/CHEESE MERCHANDISER

SPECIFICATIONS

**LPW/LPWE/LPWEE/LPE Island Produce & Cheese Merchandiser
Specification Sheets**

MODEL	LPW	LPWE	LPWEE	LPE	LPW	LPWE	LPWEE	LPE	LPW	LPWE	LPWEE	LPE
USAGE	WRAP PROD	WRAP PROD	WRAP PROD	WRAP PROD	BULK PROD	BULK PROD	BULK PROD	BULK PROD	CHEESE W/GLASS FRONT	CHEESE W/GLASS FRONT	CHEESE W/GLASS FRONT	CHEESE W/GLASS FRONT
BTUH/FT	850	962	1075	1375	800	912	1025	1295	970	1094	1218	1463
SUCTION*	+20F	+20F	+20F	+20F	+25F	+25F	+25F	+25F	+15F	+15F	+15F	+15F
ENTER AIR	+35F	+35F	+35F	+35F	+38F	+38F	+38F	+38F	+30F	+30F	+30F	+30F

THE ABOVE RATINGS ARE FOR COMPRESSOR SELECTION ONLY. FOR ENERGY CALCULATION DATA REFER TO THE ENERGY SECTION.

NOTE: FOR COMPRESSOR SIZING INFORMATION REFER TO THE "GOLD" SECTION & FOR LINE SIZING INFORMATION REFER TO THE "BUFF" SECTION OF THE TYLER SPECIFICATION GUIDE.

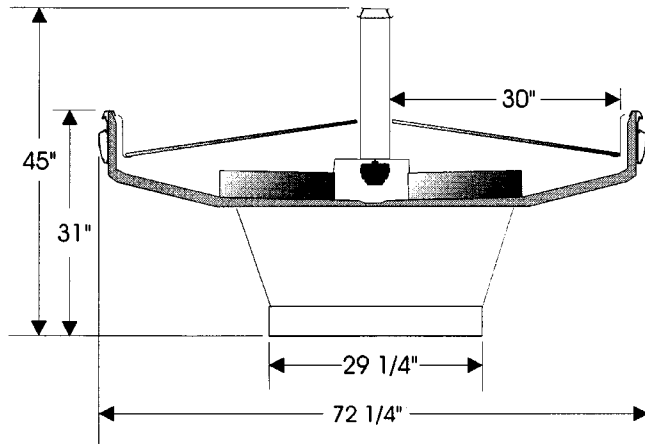
CASE-TO-CASE SUCTION LINE SUB-FEED BRANCH LINE SIZING													
	3'	8'	12'	16'	20'	24'	28'	32'	36'	40'	44'	48'	
LPW WRAP	N/A	1/2"	5/8"	N/A	N/A	N/A	N/A	N/A	N/A	N/A	N/A	N/A	
LPW BULK	N/A	1/2"	5/8"	N/A	N/A	N/A	N/A	N/A	N/A	N/A	N/A	N/A	
LPW CHEESE	N/A	5/8"	5/8"	N/A	N/A	N/A	N/A	N/A	N/A	N/A	N/A	N/A	
LPWE WRAP	N/A	5/8"	5/8"	N/A	N/A	N/A	N/A	N/A	N/A	N/A	N/A	N/A	
LPWE BULK	N/A	5/8"	5/8"	N/A	N/A	N/A	N/A	N/A	N/A	N/A	N/A	N/A	
LPWE CHEESE	N/A	5/8"	7/8"	N/A	N/A	N/A	N/A	N/A	N/A	N/A	N/A	N/A	
LPWEE WRAP	N/A	N/A	7/8"	7/8"	7/8"	7/8"	7/8"	7/8"	1 1/8"	1 1/8"	1 1/8"	1 1/8"	
LPWEE BULK	N/A	N/A	5/8"	7/8"	7/8"	7/8"	7/8"	7/8"	1 1/8"	1 1/8"	1 1/8"	1 1/8"	
LPWEE CHEESE	N/A	N/A	7/8"	7/8"	7/8"	1 1/8"	1 1/8"	1 1/8"	1 1/8"	1 1/8"	1 1/8"	1 3/8"	
LPE WRAP	1/2"	N/A	N/A	N/A	N/A	N/A	N/A	N/A	N/A	N/A	N/A	N/A	
LPE BULK	1/2"	N/A	N/A	N/A	N/A	N/A	N/A	N/A	N/A	N/A	N/A	N/A	
LPE CHEESE	1/2"	N/A	N/A	N/A	N/A	N/A	N/A	N/A	N/A	N/A	N/A	N/A	

DEFROST CONTROL					EPR SETTINGS	
PER DAY	MODE	TIME	CUT IN	CUT OUT	R22	R404A
2 WRAP	TIME OFF	60 MIN.	65-68# @ R22	43-45# @ R22	43#	---
			80-84# @ 404A	55-58# @ 404A	---	55#
2 BULK	TIME OFF	60 MIN.	68-72# @ R22	45-54# @ R22	48#	---
			84-90# @ 404A	58-68# @ R404A	---	61#

CASE BTUH REQUIREMENTS are calculated to produce approximately the indicated entering air temperature with absolute maximum operating ambient limits of **75F & 55RH**.

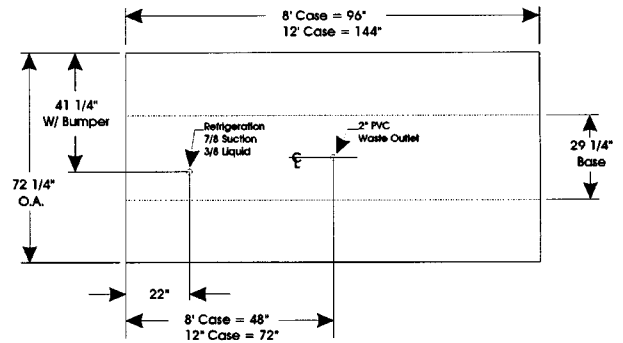
The information contained herein is based on technical data and tests which we believe to be reliable and is intended for use by persons having technical skill, at their own discretion and risk. Since conditions of use are outside Tyler's control, we can assume no liability for results obtained or damages incurred through the applications of the data presented. SPECIFICATIONS ARE SUBJECT TO CHANGE WITHOUT NOTICE.

LPW/LPWE/LPWEELPWEELPE Island Produce & Cheese Merchandisers

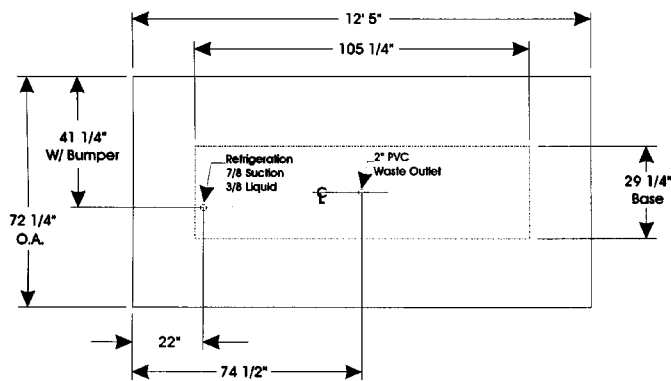


120 VOLT ELECTRICAL DATA (AMPS)		
LENGTH	STD. FANS	ECM FANS
3'	0.8	NA
8'	1.0	.4
12'	1.5	.6
16'	2.0	.8

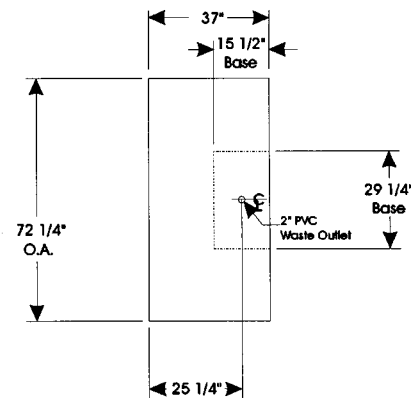
LPW8/12



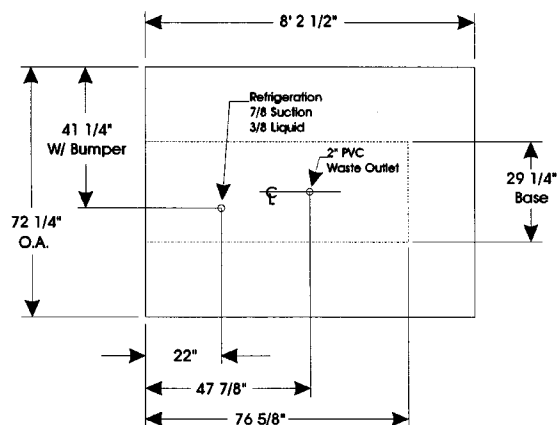
LPWEE12



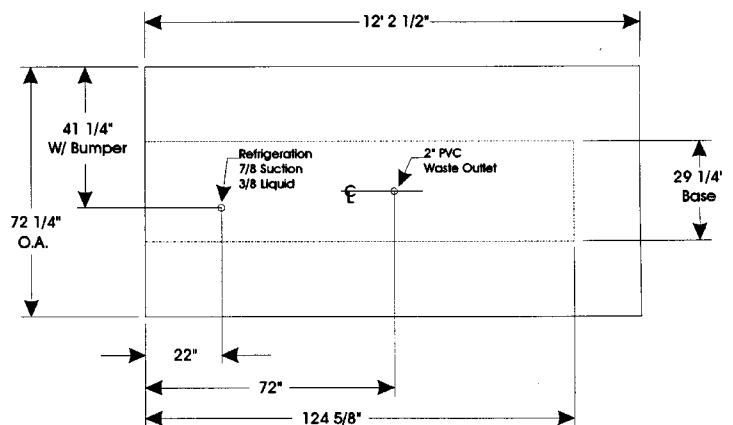
LPE



LPWE8



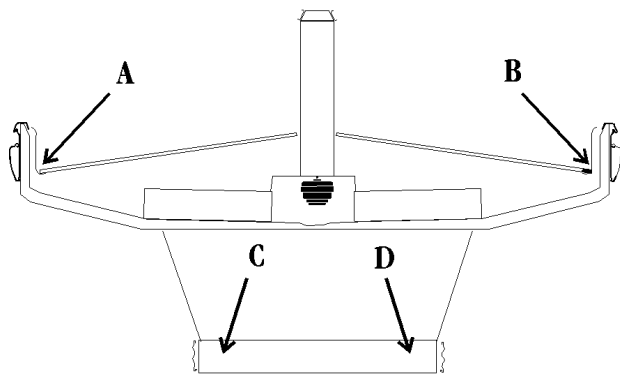
LPWE12



INSTALLATION PROCEDURES

Carpentry Procedures

Case Pull-Up Locations



The LPWEE and LPWDEE models do not have any open ends, therefore no pull-ups are required. All other LPW models have four pull-ups at each open end of the case. Pull-ups A, B, C and D are located as shown and used for joining end cases. All pull-ups should be installed and tightened starting with A and finishing with D.

See "General I&S Manual" for line-up assembly and color band & bumper installation instructions.

After all case pull-ups have been secured, install the bottom trays and the case screens.

Plexiglas Divider

A plexiglas divider is required between refrigerated and non-refrigerated case sections and/or end cases. Brackets mount on both sides of the each divider bottom. The dividers rest on top of the joint covers where the cases are joined.

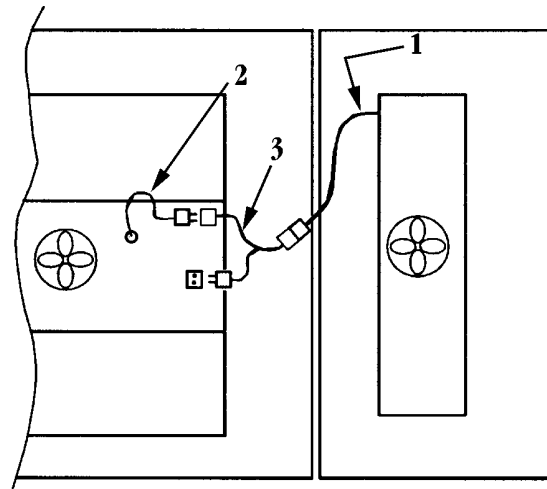
Electrical Procedures

Electrical Considerations

CAUTION

Make sure all electrical connections at components and terminal blocks are tight. This prevents burning of electrical terminals and/or premature component failure.

Case Fan Circuit



This circuit is to be supplied by an uninterrupted, protected 120V circuit. The case fan circuit is not cycled. To connect an LPE fan circuit (1) to an LPW or LPWE fan circuit (2), install a "Y" harness (3) between fan panels as shown.

Anti-Sweat Circuit

LPE cases have one anti-sweat heater in each end discharge air grid. Anti-sweat heaters are wired directly to the main power supply so it can operate at all times.

Defrost Information

See "General I&S Manual" for operational descriptions for each type of defrost control.

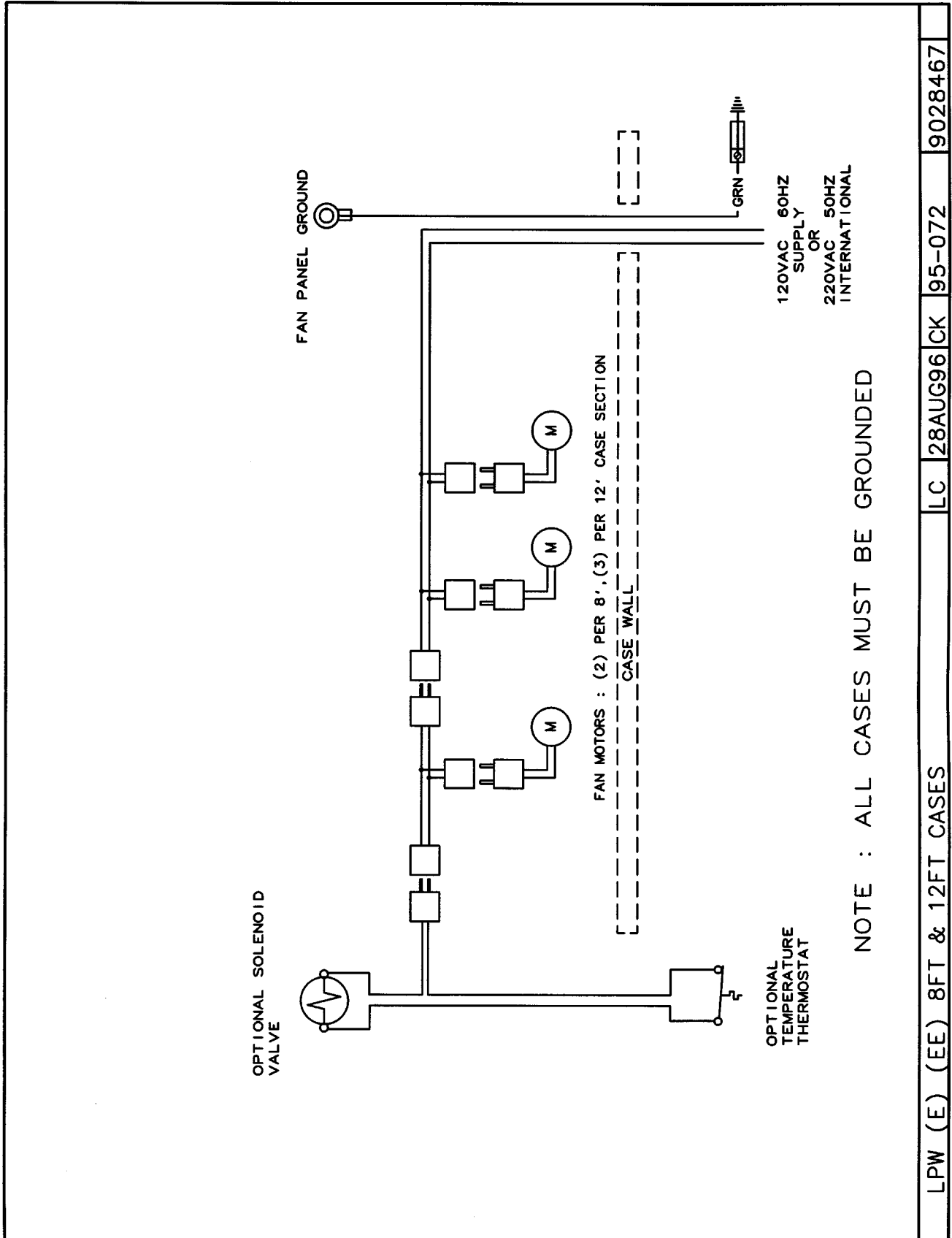
Defrost Control Chart

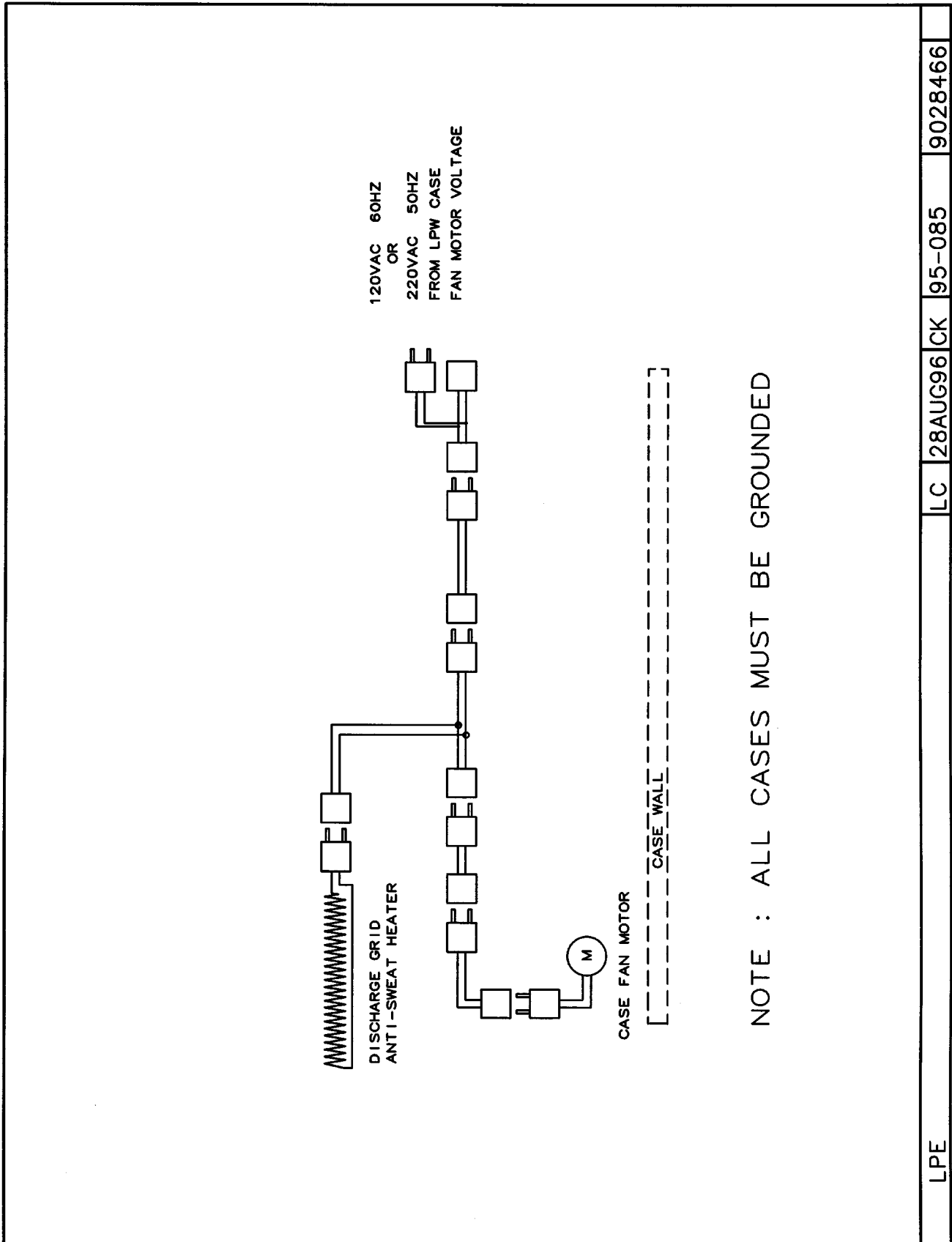
Defrost Type	Defrosts Per Day	Defrost Duration (Min)	Term. Temp.
Off Time	2	60	----

WIRING DIAGRAMS

ELECTRICIAN NOTE - OVERCURRENT PROTECTION

120V circuits should be protected by 15 or 20 Amp devices per the requirements noted on the cabinet nameplate or the National Electrical Code, Canadian Electrical Code - Part 1, Section 28. 208V defrost circuits employ No. 12 AWG field wire leads for field connections. On remote cases intended for end to end line-ups, bonding for ground may rely upon the pull-up bolts.





GENERAL INFORMATION

Water Spray Accessories

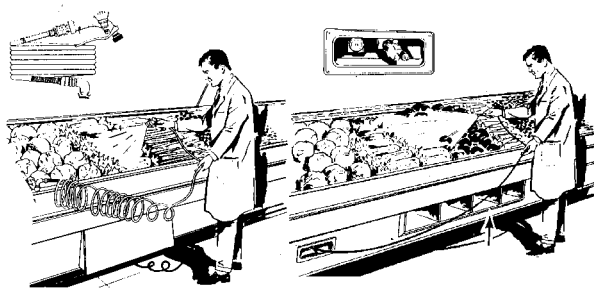
WARNING

When using water spray accessories it may be necessary to install approved anti-backflow devices in the water supply line. Local codes should be checked in this regards. Installation of this device is the responsibility of the end user and would be performed by plumbers.

CAUTION

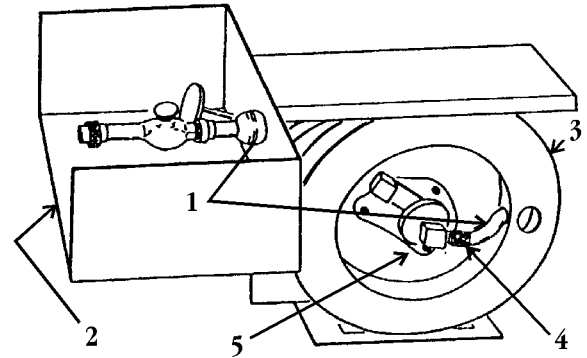
Do not spray lighted shelves when using any water spray accessories. Moisture on light fixtures could cause an electrical short and/or damage the case operating system.

The water supply pressure should not exceed 45 lb to assure proper operation. Water supply pressures above 45 lb should use a pressure reducing valve.



The spring coil spray hose or retractable spray hose are the two manual systems available for produce cases. To use the retractable spray hose, pull the nozzle and hose out smoothly to the desired length. When the reel ratchet sounds, let the hose back against the ratchet to hold it in place. To rewind, pull hose out slightly to release the reel ratchet, then guide the hose back into the front of the case. Do not allow hose to rewind by itself. Hose jamming and/or reel damage could result.

Retractable Hose Replacement



1. Pull hose (1) completely out of front of case (2) and engage reel ratchet.
2. Fasten locking pliers on the reel edge (3) to prevent the reel from accidentally rewinding. The reel spring is fully wound in this position.
3. Remove hose (1) from hose clamps on the reel (3) and disconnect hose end fitting (4) from swivel assembly (5). Remove hose (1) from reel (3) and front of case (2).

CAUTION

Do not allow the reel to unwind suddenly or attempt to turn reel clockwise. This will damage the spring motor in the reel.

NOTE

If reel spring is unwound, wind the reel 19 complete turns counterclockwise, engage the reel ratchet and install locking pliers on reel edge.

4. Insert hose (1) through the front of the case (2) and the hole in the reel (3).
5. Apply pipe dope to threads of hose end fitting (4). Install hose end fitting (4) in the swivel assembly (5).
6. Attach the hose (1) securely to the reel (3) with the hose clamps on the reel.
7. Retract the hose (1) onto the reel (3).

NOTE

If reel does not work properly after rewinding, replace the reel assembly.

Produce Handling Tips

Fresh fruits and vegetable are living things, even after they have been harvested. They continue the process of respiration and transpiration after harvesting. Respiration is the process of self feeding to provide energy for maintaining life. (EXAMPLE: Asparagus and sweet corn generate heat after they are picked.) Transpiration is the process of water loss through vapor from the plant tissues. Post-harvest life can be maintained by slowing the rate of water loss. Refrigeration lowers the rate of respiration and transpiration. Store most types of produce close to freezing prior to display. There are a number of explanations (ex. Cucumbers can be kept relatively cool by themselves, but could be damaged by temperatures below 40°F). See chart on following pages for specifics.

Non-refrigerated produce cases are called "Dry" cases. They are used to display potatoes, dry onions, bananas, avocados and

other products which don't need refrigeration. These cases can also be used with a bed of cracked ice to display perishables.

Refrigerated produce cases displays produce products that require refrigeration. The refrigeration coil is below the display and fans are used to circulate air through the case display. This moving air will pick up moisture from unwrapped produce and carry it to the coil. It is necessary to replace this moisture by using a water spray several times during the day. At night the produce should be covered with a wet cloth. The alternate to sprinkling is to wrap the produce.

In order to maintain case air flow, the return air duct must not be blocked by product. An important aid to improve air circulation is to use air deflectors below the elevated screens in the case. These deflectors will direct the air flow into the display and prevent cool air from "short circuiting" the display. Deflectors are furnished with hump screen option. See illustration.

Produce Handling Chart

Produce	Ideal Storage Conditions			Display Rack Care		
	Temperature (°F)	Relative Humidity (%)	Sell Quickly (1-2 days)	Refrigerate (40°F)	Sprinkle with Water	Special Notes
Apples	30-32	85-95		Helpful	No advantage	Avoid bruising
Apricots	31-32	85-90	Yes	Helpful	No	
Asparagus	32-36	90-95	Yes	Profitable	No	Trim butts and stand in ice or shallow water
Avocados	40-55	85-90	Yes	No	No	Display on padded surface
Bananas, Ripe	56-58	85-90	Yes	No	No	Display on padded surface
For Ripening	58-68	90-95		No	No	Avoid bruising
Beans, Lima	32-40	85-90	Yes	Profitable	No	Shake up to aerate
Beans, Snap	40-45	90-95	Yes	Profitable	Yes	
Beets	32	85-95	Yes	Profitable	Yes	Moisten roots only
Berries	31-32	90-95	Yes	Helpful	No	Keep well ventilated
Broccoli	32-35	90-95	Yes	Profitable	Yes	Keep out of sun
Brussel Sprouts	32-35	90-95	Yes	Profitable	Yes	Remove yellow leaves
Cabbage	32	90-95		Helpful	Yes	
Carrots	32	90-95		Profitable	Yes	Moisten roots only of bunches
Cauliflower	32	90-95	Yes	Profitable	Yes	Sprinkle only if refrigerated
Celery	31-32	90-95	Yes	Profitable	Yes	

<u>Produce</u>	<u>Ideal Storage Conditions</u>			<u>Display Rack Care</u>		
	<u>Temperature (°F)</u>	<u>Relative Humidity (%)</u>	<u>Sell Quickly (1-2 days)</u>	<u>Refrigerate (40°F)</u>	<u>Sprinkle with Water</u>	<u>Special Notes</u>
Cherries	31-32	90-95	Yes	Helpful	No	Keep well ventilated
Corn, Sweet	31-32	90-95	Yes	Profitable	Yes	Keep cold to keep sweetness
Cucumbers	45-50	85-90	Yes	No	No advantage	
Eggplants	45-50	85-90	Yes	No	No advantage	Do not bruise, keep on ice
Grapefruit	50-60	85-90		Helpful	No advantage	Remove decayed fruit
Grapes	30-32	85-95	Yes	Helpful	No	Keep well ventilated
Honeydews	45-50	85-90		Helpful	No	Cover cut melons with transparent film
Lemons	38-40	85-90		Helpful	Yes	Sprinkling may be helpful
Lettuce	32	90-95	Yes	Profitable	Yes	Avoid soaking with water
Limes	48-50	85-90		Helpful	No advantage	
Mushrooms	32-35	80-90	Yes	Helpful	No	Handle carefully, keep dry
Muskmelons	32-35	85-90	Yes	Helpful	No	Cover cut melons with transparent film
Onions, Dry	32	65-70		No	No	Remove loose wrappers, keep dry
Onions, Green	32	90-95	Yes	Profitable	Yes	Keep well ventilated
Oranges	34-38	85-90		Helpful	No advantage	Remove decayed fruit
Parsnips	32	90-95		Helpful	Yes	Moisten roots only
Peaches, Ripe	31-32	90	Yes	Helpful	No	Ripen at room temperature before storage
Pears	29-31	90-95	Yes	Helpful	No	Display in single or double layer on pads
Peas, Green	32	90-95	Yes	Profitable	Yes	Shake up to aerate, keep cold
Peppers	45-50	90-95	Yes	Profitable	Yes	
Pineapples, Ripe	45-55	85-90	Yes	No	No	Remove decayed fruit
Plums	31-32	90-95	Yes	Helpful	No	Remove decayed fruit
Potatoes	40-50	85-90		No	No	Keep out of sun
Radishes	32	90-95	Yes	Profitable	Yes	Keep water off tops, avoid tight packing
Rhubarb	32	90-95	Yes	Profitable	No	Trim thin slice off stems and stand in cold water
Squash, Summer	40-50	85-95	Yes	Helpful	Yes	
Winter & Pmpkns	50-55	50-75		No	No	
Spinach	32	90-95	Yes	Profitable	Yes	Keep ventilated
Sweet Potatoes	55-60	85-90		No	No	Keep ventilated
Tangerines	32	85-90	Yes	Profitable	Yes	Remove decayed fruit
Tomatoes, Ripe	45-50	85-90	Yes	Helpful	No	Sell quickly, refrigerate to hold
Tomatoes, Green	55-70	85-90		No	No	Ripen in back room, sort frequently
Turnips	32	90-95		Profitable	Yes	Sprinkle roots only
Watermelons	40-45	80-85		Helpful	No	Cover cut melons with transparent film

The "Produce Handling Chart" is courtesy of Produce Marketing Association, Inc., Newark, Delaware 19711, from their 1973 Yearbook. This book is published as a service to the Fresh Produce Industry.

For additional information, consult:

"The Commercial Storage of Fruits, Vegetables, and Florist and Nursery Stocks", USDA Handbook No. 66, 1968.

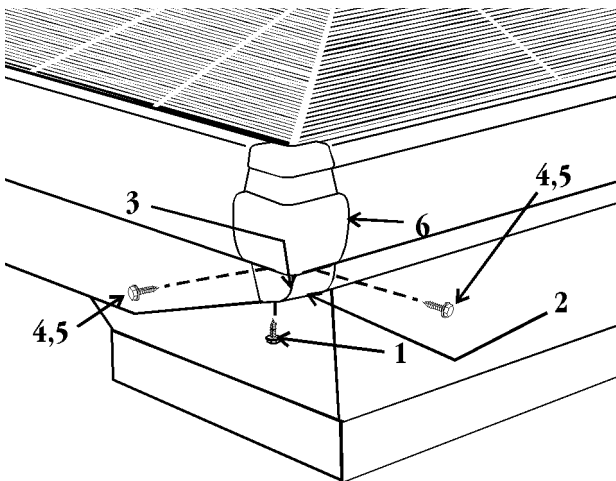
"The Shelf Life of Fresh Fruits and Vegetables - Retail Store Display Cases", USDA HT&S Office Report No. 247, October 1951.

"Fresh Fruits and Vegetables - Handling and Care", Corporate Extension Service, Michigan State University.

SERVICE INSTRUCTIONS

See "General I&S Manual" for color band and bumper replacement instructions.

Corner Trim Replacement



1. Remove two screws (1) and lower corner trim assembly (2) from corner of the case (3).
2. Remove two screws (4), two washers (5) and lift off the bumper corner trim (6).
3. Replace bumper and lower corner trim in the reverse order.

Fan Blade and Motor Replacement

WARNING

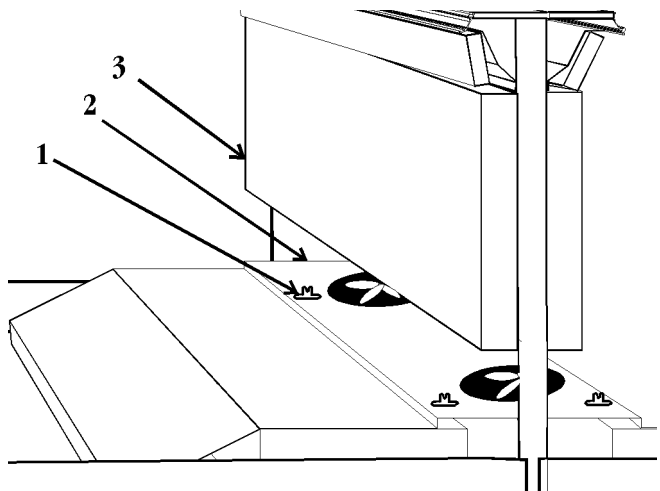
Shut off or disconnect power supply to case before servicing a fan. Automatic cycling of fan or electrical power to wire ends could cause personal injury and/or death.

Fan Blade Replacement

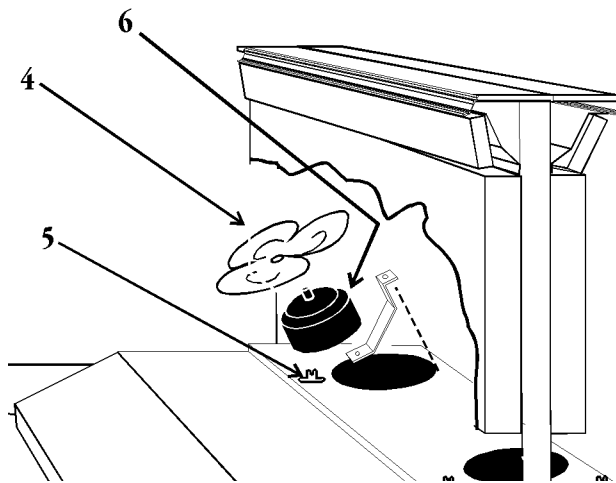
1. Remove bottom screens and bottom trays from case.

CAUTION

Electrical wiring to fan circuit is still connected. Careless removal could damage the wiring.



2. Turn thumbscrews (1) and carefully lift out the fan plenum (2) from under the center riser (3).



3. To replace fan blade (4), remove spring clip (5) and fan blade (4) from fan motor shaft (6). Discard spring clip.
4. Install new fan blade (4) on fan motor shaft (6) and secure with new spring clip (5).
5. Replace fan plenum, bottom trays and bottom screens in case.

Fan Motor Replacement

1. Remove bottom screens and bottom trays from case.

CAUTION

Electrical wiring to fan circuit is still connected. Careless removal could damage the wiring.

2. Turn thumbscrews (1) and carefully lift out the fan plenum (2) from under the center riser (3).
3. Remove three screws and mounting brackets (7) and fan plenum (2).
4. Carefully lift fan motor assembly and unplug wire connector.
5. Remove three screws and mounting brackets (7) from fan motor (6).

NOTE

If replacement blades and/or motor are not available, unplug motor and cover opening until the replacement parts are available.

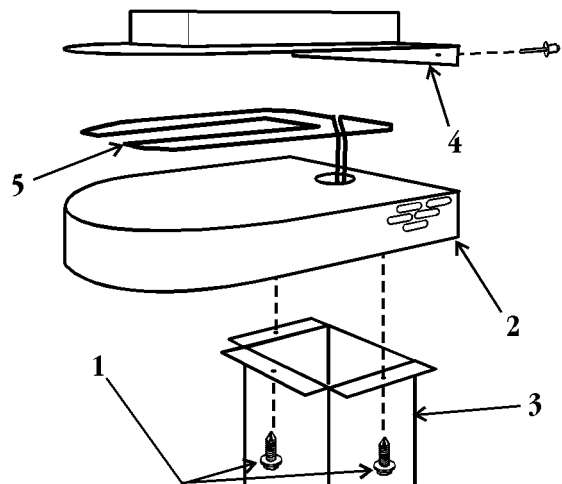
6. Replace new fan motor assembly in reverse order.

Anti-Sweat Replacement (LPE End Case Only)

WARNING

Shut off or disconnect power supply to case before changing an anti-sweat. Electrical power from wire ends could damage other components and/or cause personal injury or death.

Discharge Air Grid Anti-Sweat

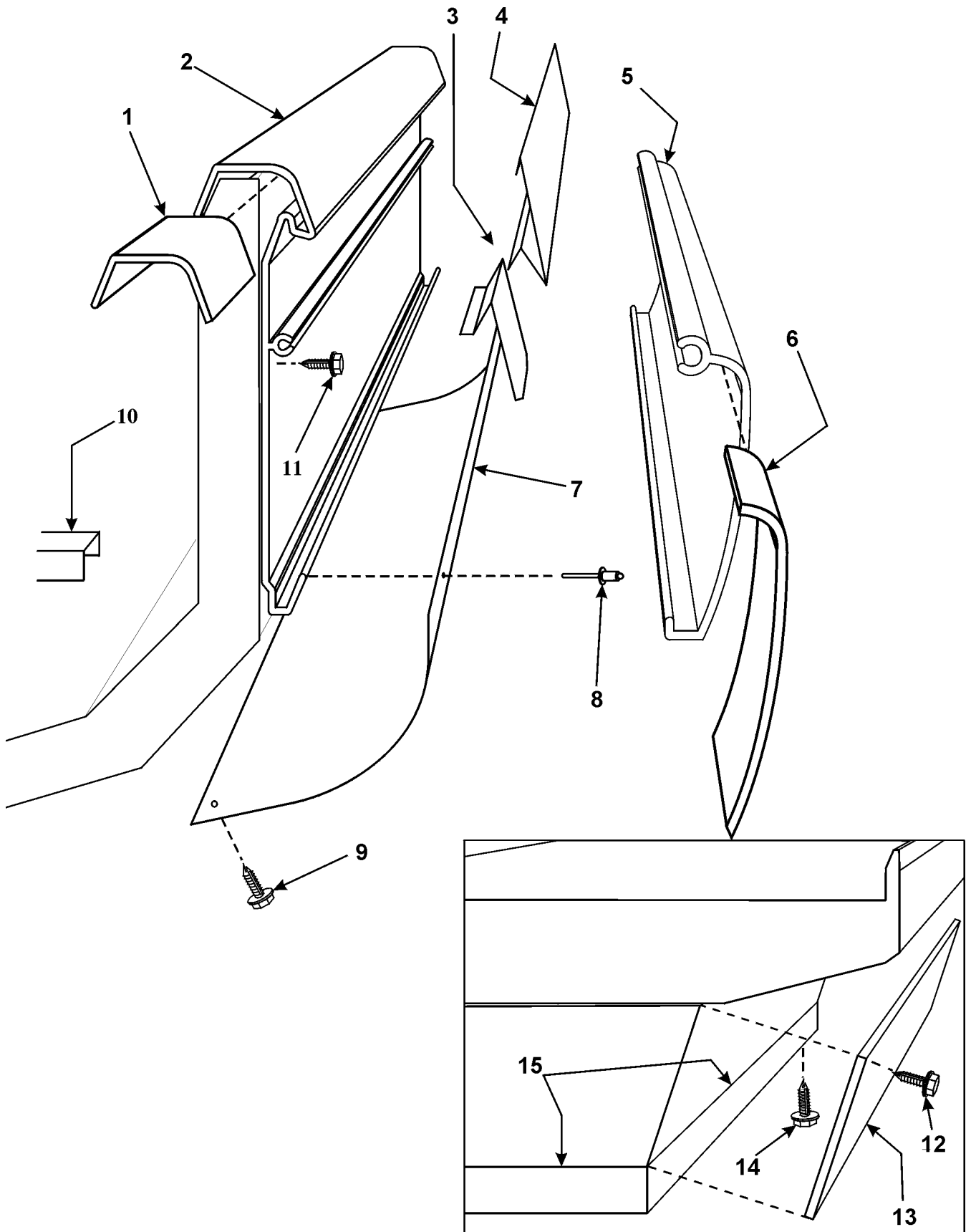


1. Remove three screws (1) and discharge grid assembly (2) from top of center riser (3).
2. Disconnect anti-sweat wires from case wires.
3. Drill out rivets from back of cover (4) and remove cover (4) from discharge grid assembly (2).
4. Remove and replace the anti-sweat heater (5) from top of the discharge grid assembly (2).
5. Replace cover (4) and install the discharge grid assembly (2) in the reverse order.

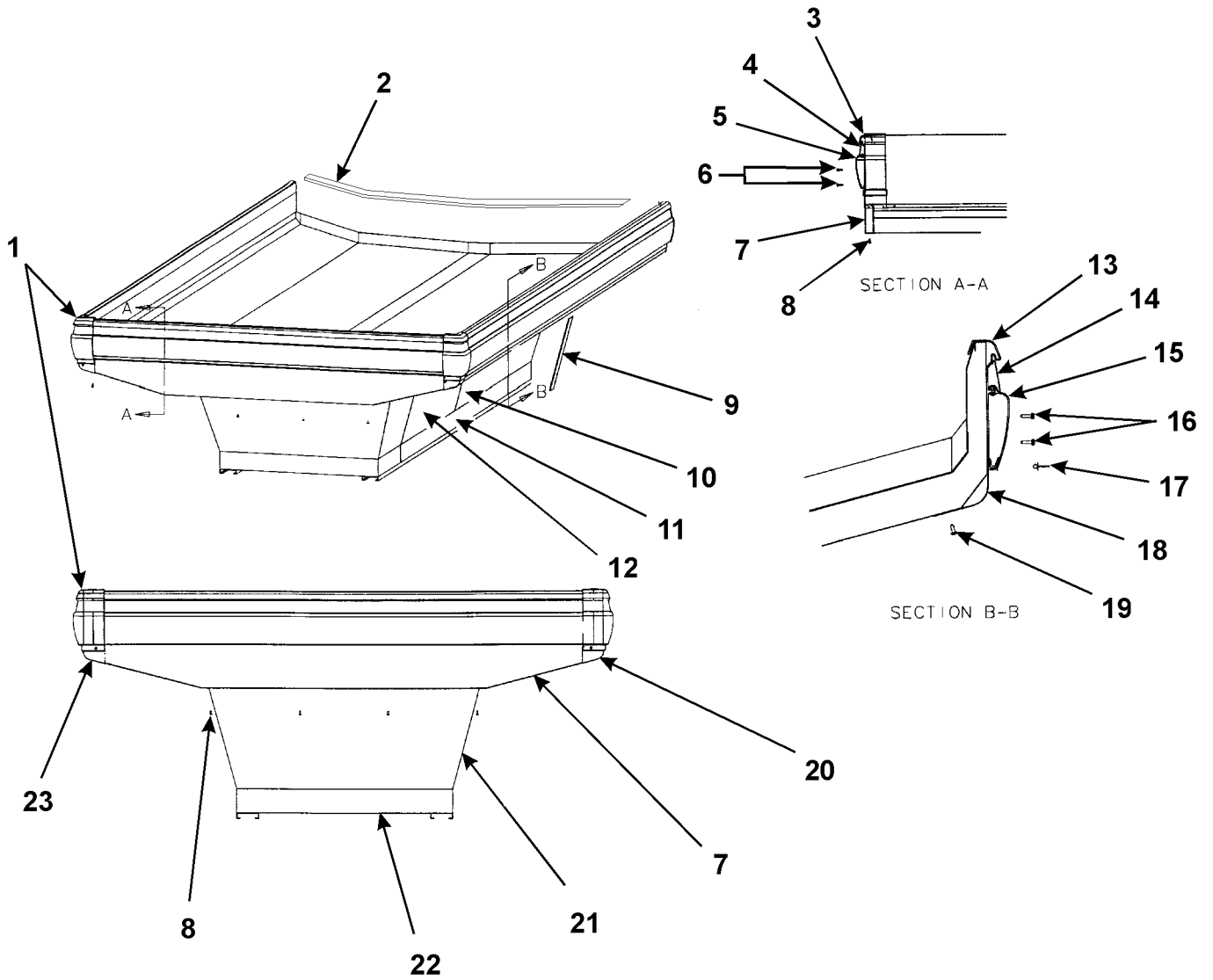
PARTS INFORMATION

Cladding and Optional Trim Parts Lists

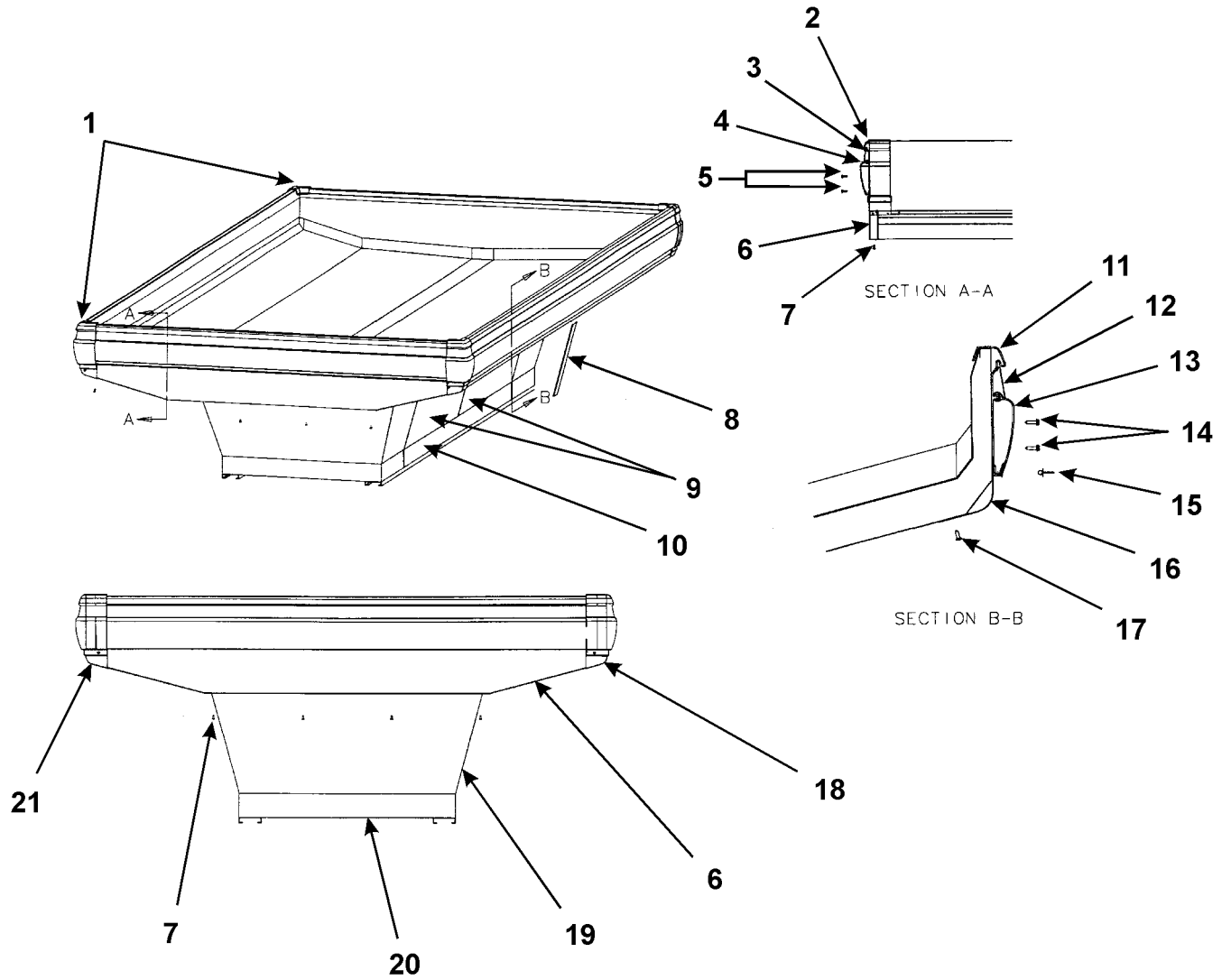
Item Description	LPW/LPWD	
	8'	12'
1 Bumper Retainer/Hand Rail Backer	9025316 (2)	9025316 (2)
2 Bumper Retainer/Hand Rail	color per order	
3 Color Band Backer, Painted	9040223 (2)	9040223 (2)
4 Color Band, Painted	9023798 (2)	9023800 (2)
5 Bumper	color per order	
6 Bumper Backer	color per order	
7 Front Cladding, Painted	9025236 (2)	9025237 (2)
8 Rivet (per side)	5104702 (2)	5104702 (2)
9 Screw (per side)	5048626 (8)	5048626 (12)
10 Body Joint Cover	5215379	5215379
11 Screw (per side)	9025833 (17)	9025833 (25)
12 Screw (per side panel)	5053985 (2)	5053985 (2)
13 Base Side Panel, Painted	5215415 (4)	5215415 (6)
14 Screw (per panel)	5183536 (7)	5183536 (10)
15 Base Panel, Painted	5215406 (2)	5215407 (2)



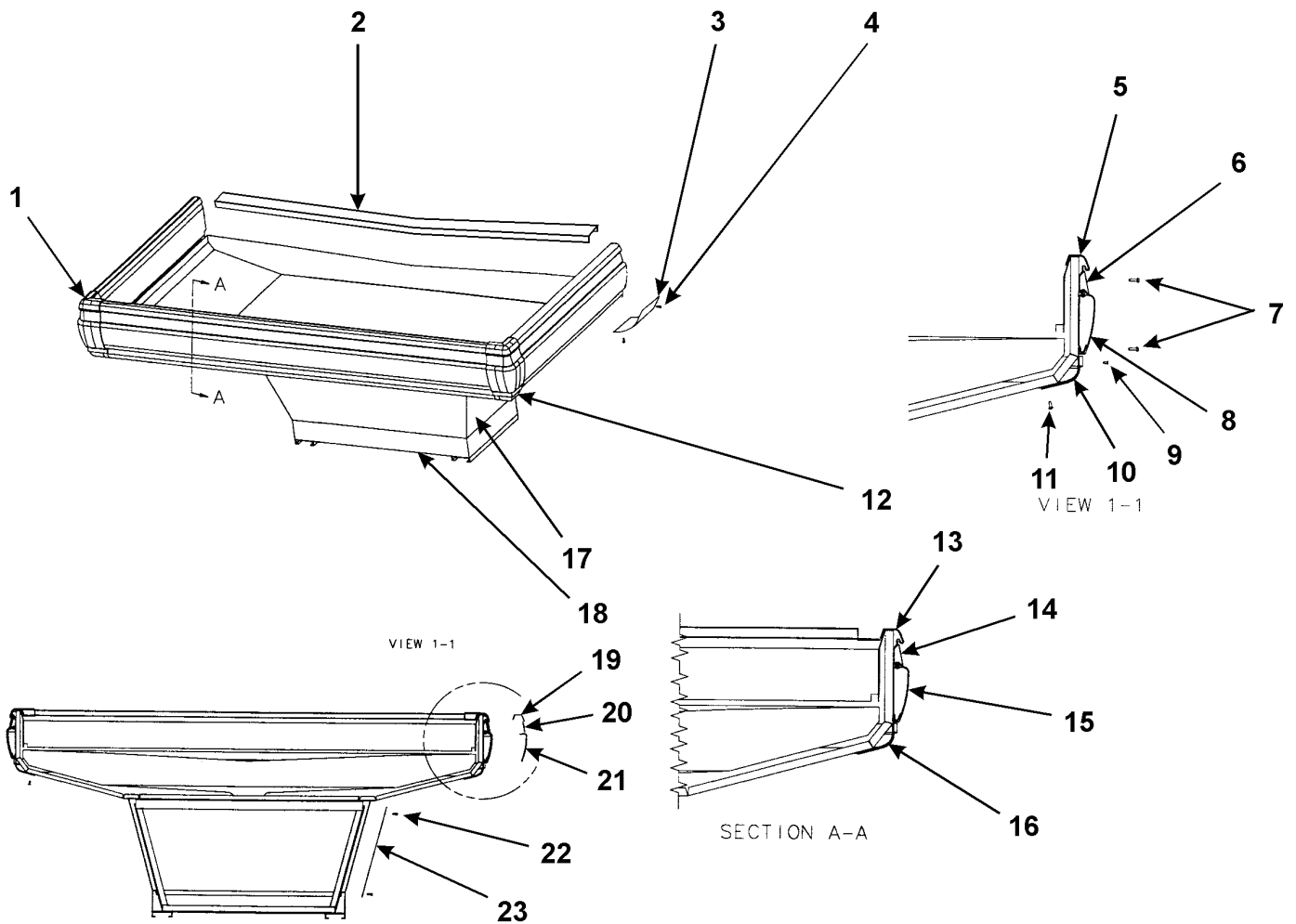
Item Description	LPWE/LPWDE	
	8'	12'
1 Bumper Corner Trim	color per order	
Screw (per corner trim)	5183536 (2)	5183536 (2)
Washer (per corner trim)	5100982 (2)	5100982 (2)
2 Body Joint Cover	5215379	5215379
3 End Bumper Retainer/Hand Rail	color per order	
4 End Color Band, Painted	9023794	9023794
5 End Bumper	color per order	
6 Screw (per end bumper retainer)	9025833 (12)	9025833 (12)
7 End Cladding, Painted	9025440	9025440
8 Screw (per end cladding)	5048626 (4)	5048626 (4)
9 Base Joint Trim	5219579	5219579
10 47" Base Side Panel, Painted	5215415 (2)	5215415 (4)
Screw (per base side panel)	5053985 (2)	5053985 (2)
11 Lower Base Side Panel, Painted	5215910 (2)	5215910 (2)
Screw (per lower base side panel)	5183536 (4)	5183536 (6)
12 12" Base Side Panel, Painted	5215195 (2)	5215195 (2)
Screw (per base side panel)	5083985	5083985
13 Bumper Retainer/Hand Rail	color per order	
Bumper Retainer Backer	9025316	9025316
14 Color Band, Painted	9023798 (2)	9023800(2)
Color Band Backer, Painted	9040223	9040223
15 Bumper	color per order	
Bumper Backer	color per order	
16 Screw (per side bumper retainer)	9025833 (17)	9025833 (25)
17 Rivet (per side cladding)	5104702 (2)	5104702 (2)
18 Side Cladding, Painted	9025236 (2)	9025237 (2)
19 Screw (per side cladding)	5048626 (6)	5048626 (9)
20 RH Lower Corner Trim, Painted	9020992	9020992
Screw (per lower corner trim)	5048626 (2)	5048626 (2)
21 Base End Panel, Painted	5215200	5215200
Screw (per base end panel)	5183536 (5)	5183536 (5)
22 Lower Base End Panel, Painted	5215407	5215407
Screw (per lower base end panel)	5183536 (7)	5183536 (7)
23 LH Lower Corner Trim, Painted	9020993	9020993
Screw (per lower corner trim)	5048626 (2)	5048626 (2)



Item	Description	LPWEE/LPWDEE 12'
1	Bumper Corner Trim	color per order
	Screw (per corner trim)	5183536 (2)
	Washer (per corner trim)	5100982 (2)
2	End Bumper Retainer/Hand Rail	color per order
3	End Color Band, Painted	9023794 (2)
4	End Bumper	color per order
5	Screw (per end bumper retainer)	9025833 (24)
6	End Cladding, Painted	9025440 (2)
7	Screw (per end cladding)	5048626 (8)
8	Base Joint Trim	5219579 (2)
9	36" Base Side Panel, Painted	5215194 (4)
	Screw (per base side panel)	5053985 (2)
10	Lower Base Side Panel, Painted	5215910 (2)
	Screw (per lower base side panel)	5183536 (4)
11	Bumper Retainer/Hand Rail	color per order
12	Color Band, Painted	9023800 (2)
13	Bumper	color per order
14	Screw (per side bumper retainer)	9025833 (25)
15	Rivet (per side cladding)	5104702 (2)
16	Side Cladding, Painted	9025237 (2)
17	Screw (per side cladding)	5048626 (9)
18	RH Lower Corner Trim, Painted	9020992 (2)
	Screw (per lower corner trim)	5048626 (2)
19	Base End Panel, Painted	5215200 (2)
	Screw (per base end panel)	5183536 (5)
20	Lower Base End Panel, Painted	5215407 (2)
	Screw (per lower base end panel)	5183536 (7)
21	LH Lower Corner Trim, Painted	9020993 (2)
	Screw (per lower corner trim)	5048626 (2)



Item	Description	LPE/LPDE End Case
1	Bumper Corner Trim	color per order
	Screw (per corner trim)	5183536 (2)
	Washer (per corner trim)	5100982 (2)
2	Body Joint Cover	5215379
3	Cladding Joint Trim	5216419
4	Screw	5048626 (4)
5	Bumper Retainer/Hand Rail	color per order
6	Color Band, Painted	9023788 (2)
7	Screw (per bumper retainer)	9025833 (7)
8	Bumper	color per order
9	Rivet (per bumper retainer)	5104702 (2)
10	Side Cladding, Painted	9025458 (2)
11	Screw (per side cladding)	5048626 (2)
12	Lower Corner Trim, Painted	9026076 (2)
	Screw (per lower corner trim)	5048626 (2)
13	End Bumper Retainer/Hand Rail	color per order
	Screw (per end bumper retainer)	9025833 (12)
14	End Color Band, Painted	9023794
15	End Bumper	color per order
16	End Cladding, Painted	9025967
	Rivet (per end cladding)	5104702 (2)
	Screw (per end cladding)	5048626 (3)
17	Base End Panel, Painted	5215200
	Screw (per base end panel)	5183536 (5)
18	Lower Base End Panel, Painted	5215407
	Screw (per lower base end panel)	5183536 (7)
19	Bumper Retainer/Hand Rail Backer	9025316
20	Color Band Backer, Painted	9040223
21	Bumper Backer	color per order
22	Screw (per base joint trim)	5205439 (4)
23	Base Joint Trim, Painted	5219179



Operational Parts List

Case Usage	Domestic			Export		
	115 Volt 60 Hertz			220 Volt 50 Hertz		
Case Size	8'	12'	End Case	8'	12'	End Case
Fan Motor	5125532 5 Watt	5125532 5 Watt	5125532 5 Watt	5222986 7.5 Watt	5222986 7.5 Watt	5222986 7.5 Watt
Fan Motor Brackets (LPW/LPWE)	5197471	5197471	----	5197471	5197471	----
(LPWEE)	----	5197471	----	----	5197471	----
(LPE)	----	----	5962269	----	----	5962269
Fan Blades (7.75" 32° 3B)	5126000	5126000	----	5126000	5126000	----
(7" 15° 5B)	----	----	5223891	----	----	5223891
Anti-Sweat Heater (end case) (discharge air)(LPE)	----	----	5225828	----	----	Call TYLER Parts Depot

For information on operational parts not listed above contact the TYLER Service Parts Department.