

• N1PHP HIGH PERFORMANCE SINGLE DECK BULK PRODUCE MERCHANDISERS •

Refrigeration Data:

MODEL	CASE LENGTH	CASE USAGE	CAPACITY (BTUH / FT)		EVAPORATOR (°F)	UNIT SIZING (°F)	DISCHARGE AIR		AVG. REF. CHARGE (LBS/FT)
			PARALLEL	CONVENTIONAL			TEMPERATURE (°F)	VELOCITY (FPM)	
N1PHP	8'/12'	BULK PRODUCE	723*	733*	+34**	+32	+42	139***	0.61

* Capacity data listed for 1 or 2 rows of T-8 canopy lights and a 30" mirror. For sizing all refrigeration equipment other than TYLER, use conventional BTUH values.

** Evaporator temperature is defined as the saturated pressure leaving the case.

*** Air velocity measured 1 hour after defrost at the top discharge air duct using an ALNOR JR. velometer with a scoop.

Use the N4MHP cases for critical temp applications.

FOR SPECIFIC COMPRESSOR SIZING INFORMATION, REFER TO TYLER APPLICATIONS FOR RACK SYSTEM COMPRESSORS AND/OR THE COMPRESSOR MANUFACTURERS FOR SINGLE COMPRESSORS. FOR LINE SIZING INFORMATION, REFER TO THE MISCELLANEOUS SECTION "BUFF" IN THE TYLER SPECIFICATION GUIDE.

Electrical Data:

Fans (120 Volt)

MODEL	CASE LENGTH	FANS / CASE	TOTAL STANDARD FANS		TOTAL ECM FANS	
			AMPS	WATTS	AMPS	WATTS
N1PHP	8'	2	1.60	142.0	1.06	44.0
N1PHP	12'	3	2.40	213.0	1.59	66.0

T-8 Lighting with Electronic Ballasts (120 Volt)

MODEL	CASE LENGTH	CANOPY LIGHTS – PER ROW*				MAXIMUM LIGHTING (2 ROWS)	
		AMPS		WATTS		AMPS	WATTS
		1	2	1	2		
N1PHP	8'	0.50	0.95	60.0	114.0	0.95	114.0
N1PHP	12'	0.70	1.40	84.0	168.0	1.40	168.0

Defrost Data:

DEFROST TYPE	DEFROSTS PER DAY	DURATION TIME (MIN) *	ELEK. THERMOSTAT / AIR SENSOR SETTINGS			EPR SETTINGS **		CONVENTIONAL COMPRESSOR SETTINGS ***				DEFROST WATER (LB / FT / DAY)
			USAGE	CUT IN	CUT OUT	R22 (PSIG)	R404A (PSIG)	R22 (PSIG)		R404A (PSIG)		
TIME OFF	2	10	MED TEMP	43°F	41°F	60	75	58	46	73	58	N/A

* **NOTE:** 10 minutes is for EPR with suction stop for defrost isolation. Defrost times increase by four minutes (14 min. total) when defrost isolation is by pump down. Set EPR to give this pressure at the case.

** If EPR is utilized, use the settings shown in the chart. **NOTE:** The customer will need to set the EPR on the parallel rack or single unit to the appropriate suction temperature and the N1PHP cases must be on a separate suction stub with a separate EPR. **ADD 0.5#** to EPR setting for each 1000 foot rise in elevation.

*** Required setup for a conventional unit uses an electronic thermostat to assure accurate temperature control.

CASE-TO-CASE SUCTION LINE SUB-FEED BRANCH LINE SIZING																
MODEL	8'	12'	16'	20'	24'	28'	32'	36'	40'	44'	48'	52'	56'	60'	64'	68'
N1PHP R22	1/2"	5/8"	5/8"	7/8"	7/8"	7/8"	7/8"	7/8"	7/8"	1-1/8"	1-1/8"	1-1/8"	1-1/8"	1-1/8"	1-1/8"	1-1/8"

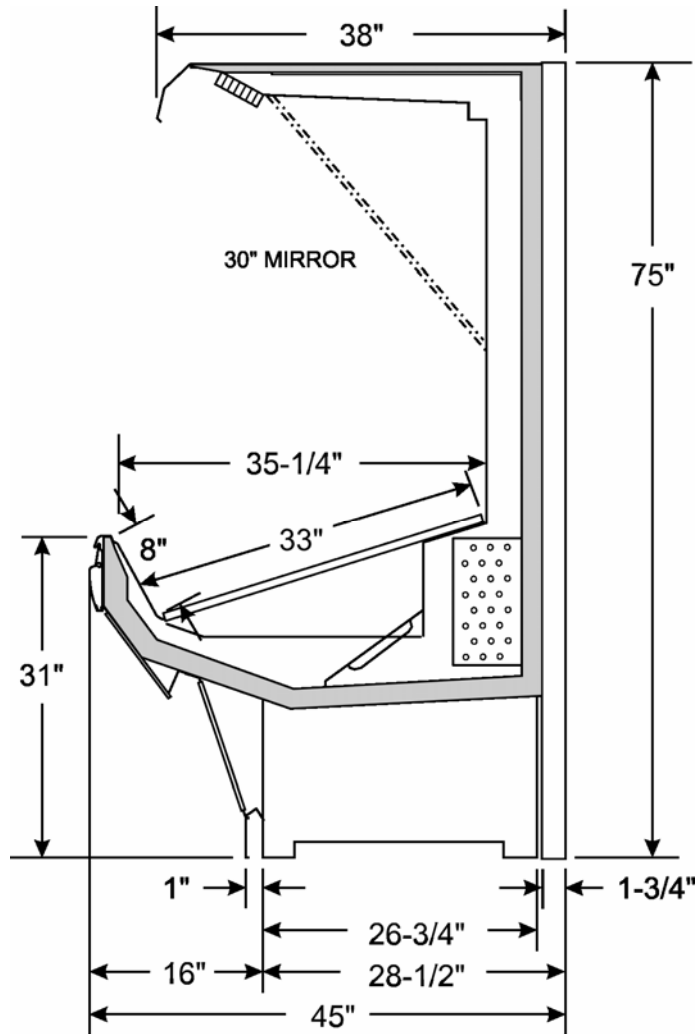
SHELVING AND MIRROR NOTES: N1PHP has a 30" standard mirror and shelves are not allowed.

UL SANITATION approved in accordance with ANSI/NSF - 7.

CASE BTUH REQUIREMENTS are calculated to produce approximately the indicated entering-air temperature with absolute maximum operating ambient limits of **75°F & 55RH.**

The information contained herein is based on technical analysis and/or tests performed in a controlled lab environment that are consistent with industry practices, and is intended as a reference for system sizing and configuration purposes only and for use by persons having technical skill at their own discretion and risk. Conditions of use are outside of Tyler's control and we do not assume and hereby disclaim any liability for results obtained or damages incurred through application of or reliance on the data presented, including but not limited to specific energy consumption with any particular model or installed application. SPECIFICATIONS ARE SUBJECT TO CHANGE WITHOUT NOTICE.

N1PHP CROSS SECTION



FLOOR PLAN

