

N2P, N2PS



Models N2P & N2PSE Island configuration shown



N2P and N2PS merchandisers for bulk or critical temperature produce can be used as wall-lined displays or as back-to-back island displays. These versatile semi-vertical merchandisers can accept up to 2 levels of shelving to enhance the display of all types of produce. Meat and deli products can also be merchandised from this model.

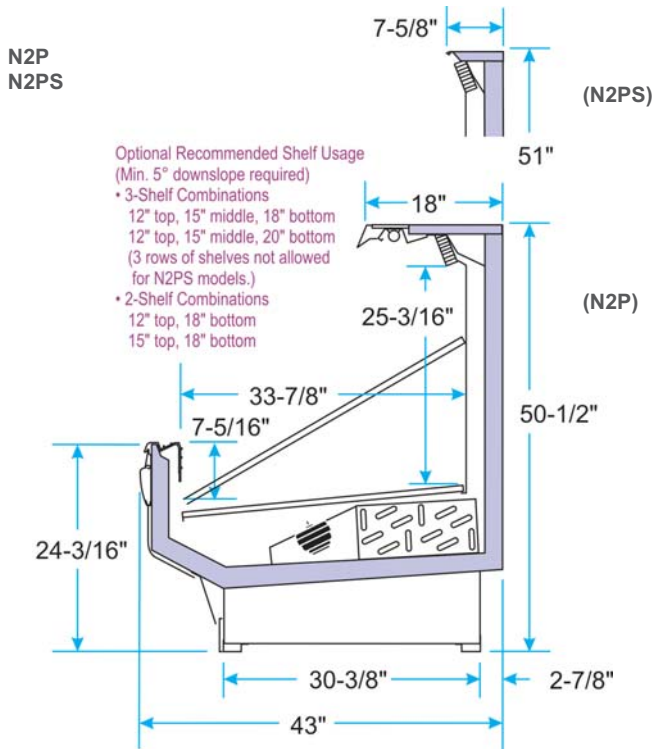
### Features & Benefits

- ♦ Energy-efficient copper tube and aluminum fin coils.
- ♦ One row of energy efficient T8 canopy lights with electronic ballasts provide appealing product illumination. (N2P)
- ♦ Telescoping white powder-coated display screens enhance product presentation.
- ♦ Solid steel base adds strength and durability.
- ♦ Easily removable front and rear ducts enhance ease of sanitation.
- ♦ Fan assembly design allows access to coil and drain pan.
- ♦ Off-cycle defrost.
- ♦ 18" top shelf adds merchandising flexibility. (N2P)

### Options

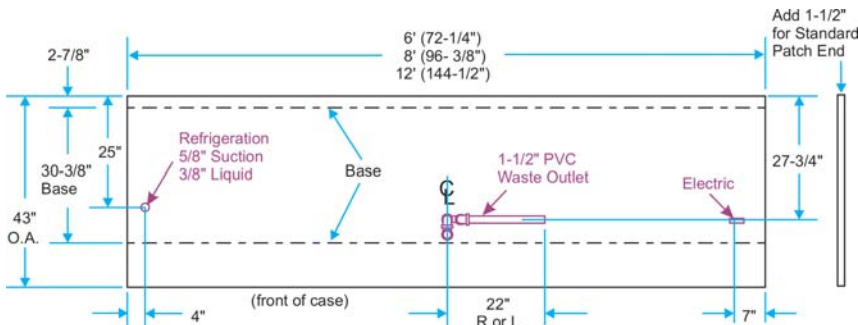
- ♦ ECM fan motors for additional energy savings.
- ♦ Energy-efficient T8 shelf lighting with remote electronic ballasts.
- ♦ Multiple-depth shelving alternatives.
- ♦ 3 or 6 position shelf brackets for varied shelf display angles.
- ♦ Electric or gas defrost for meat or deli applications.

Specifications are subject to engineering changes without notice.



Model	Case Length	Description	Capacity in Cubic Feet*
N2P	6' • 8' • 12'	Semi-Vertical 3-Deck Produce, Meat or Deli, std coil	23.0 • 30.7 • 46.1
N2PS	6' • 8' • 12'	Semi-Vertical 3-Deck w/ Short Top, Produce, Meat or Deli, std coil	23.0 • 30.7 • 46.1

\* Cubic capacity is based on one row of 15" shelves and one row of 18" shelves.



### Optional Accessories



Multiple depth shelving adds display versatility for bulk and critical temp produce. Meat and deli products can also be merchandised from this model.

3 or 6 position shelf brackets provide the desired shelf angle for optimum product viewing.