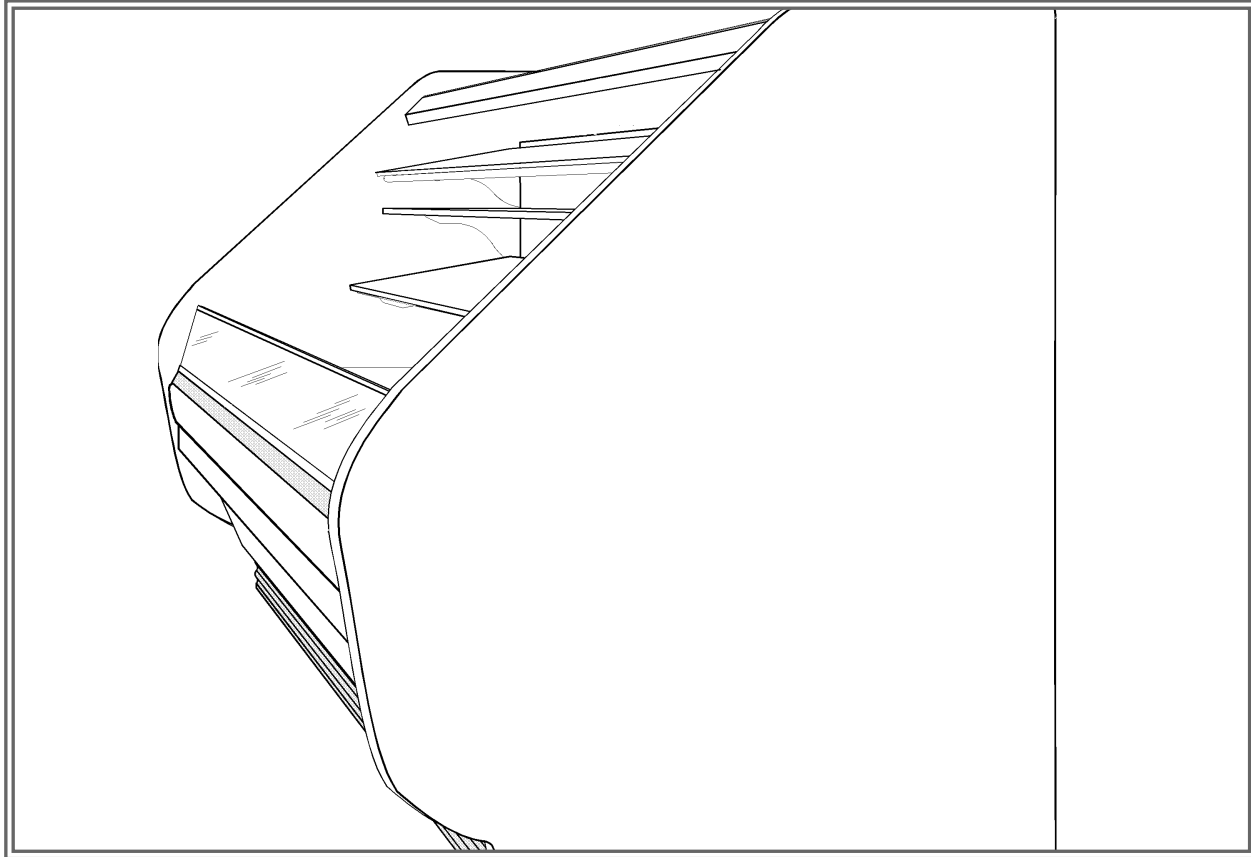


Replacement Parts ^{series} Advantage



Multi-Shelf Low Profile Meat/Deli Merchandiser

Production began: January 19, 2000

N3MG - N3MGP



9000713	N3MG6	Med-Temp	6' 3-Deck Meat/Deli Merchandiser w/Glass
9000714	N3MG8	Med-Temp	8' 3-Deck Meat/Deli Merchandiser w/Glass
9000715	N3MG12	Med-Temp	12' 3-Deck Meat/Deli Merchandiser w/Glass
9000721	N3MGP6	Med-Temp	6' 3-Deck Meat/Deli Merchandiser w/Glass
9000722	N3MGP8	Med-Temp	8' 3-Deck Meat/Deli Merchandiser w/Glass
9000723	N3MGP12	Med-Temp	12' 3-Deck Meat/Deli Merchandiser w/Glass

Issue date: FEBRUARY 2001

Replaces issue:

Part number: 9037198

Revision:

Tyler Refrigeration Corporation Niles, MI 49120
Parts information subject to change without notice
Printed in U.S.A.



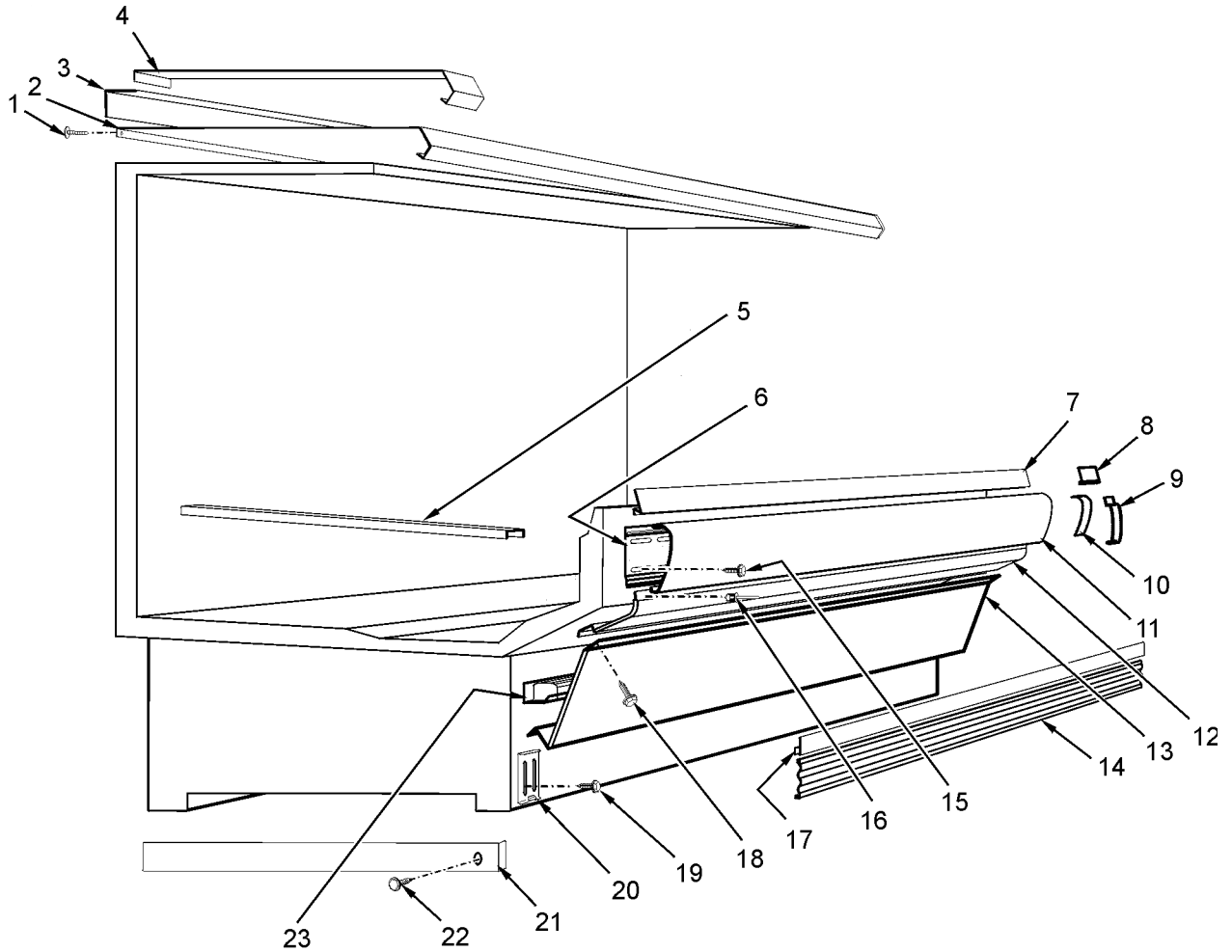
CONTENTS

	<u>Page</u>
Cladding, Covers and Trims - N3MG	C1-C4
Cladding, Covers and Trims - N3MGP	C5-C8
Structural Components	
Front Glass	S1
Rear Riser	S2
Ducts and Z-Bars	S3
Patch Ends, Partitions and Dividers	
Solid Patch Ends	S4-S6
Floating Plexiglas Divider	S7
Electrical System Components	
Wiring Harnesses	
Wiring and Components N3MG	E1
Wiring and Components N3MGP	E2
Fan Systems	E3
Optional Front Lower Light	E4
Refrigeration System Components	
Coil Assemblies	R1
Electric Defrost	R2
Optional Hot Gas Defrost	R3
Optional Case Accessories	
Shelf Assemblies	A1-A2
Screens, Fences and Step Trays	A3
Step Trays, Bottom Trays, Ice Trays and Screen Covers	A4
Thermometers	A5
Optional Thermostat Wired to Solenoid	A6



CLADDING, COVERS AND TRIMS

N3MG



6', 8' and 12' Merchandiser

Item	Part No.	Quantity			Description	Item	Part No.	Quantity			Description
		6'	8'	12'				6'	8'	12'	
1	5619204	15	15	18	Screw	11	+	1	1	1	Bumper
2	9042134	1	-	-	Front Top Cladding-MB/SS	12	9025129	1	-	-	Upper Front Cladding
	9042135	-	1	-	Front Top Cladding-MB/SS		9025130	-	1	-	Upper Front Cladding
	9042136	-	-	1	Front Top Cladding-MB/SS		9025131	-	-	1	Upper Front Cladding
3	9042137	1	-	-	Rear Top Cladding-MB/SS	13	9025120	1	-	-	Lower Front Cladding
	9042138	-	1	-	Rear Top Cladding-MB/SS		9025121	-	1	-	Lower Front Cladding
	9042139	-	-	1	Rear Top Cladding-MB/SS		9025122	-	-	1	Lower Front Cladding
4	5243508	1	1	1	Rear Riser Joint Trim	14	+	1	1	1	Kickplate
	5100217	2	2	2	Screw		9041790	1	1	1	Kickplate Backer
5	5964733	1	1	1	End Weld Cover	15	9025833	12	18	24	Screw
6	9025052	1	-	-	Bumper Retainer	16	5104702	2	3	4	Rivet
	9025058	-	1	-	Bumper Retainer	17	+	1	1	1	Kickplate Extension [OPTL]
	9025061	-	-	1	Bumper Retainer	18	5183536	14	17	23	Screw
7	9025238	1	-	-	Color Band, PTD.	19	5183536	6	6	8	Screw
	9025239	-	1	-	Color Band, PTD.	20	9041329	3	3	4	Kickplate Support
	9025240	-	-	1	Color Band, PTD.	21	9022460	1	1	1	LH Base End Close-off
8	9025653	1	1	1	Color Band Backer, PTD.		9022467	1	1	1	RH Base End Close-off
	+	1	1	1	Opt. Color Band Backer	22	5048626	6	6	6	Screw
9	+	1	1	1	Bumper End Trim	23	5233273	1	-	-	Raceway
10	+	1	1	1	Bumper Backer		5233274	-	1	-	Raceway
							5233275	-	-	1	Raceway

+ See pages C2 thru C4 for parts breakdown per color.



CLADDING, COVERS AND TRIMS - (CONT'D)

N3MG6

Bumper [Item 11] Without Partition (72.312"):

Part No.	Color
9025031	White
9025261	Bone White
9025282	Misty Gray
9025303	Pearl
9025324	Oatmeal
9025345	Soft Sand
9025366	Chromium
9025387	Cool Gray
9025408	Oyster
9025429	Black
9026501	Pearly Gates
9028899	Steel Gray
9031680	Chocolate
9031717	Mocha
9031754	Stone

With Partition (73.312"):

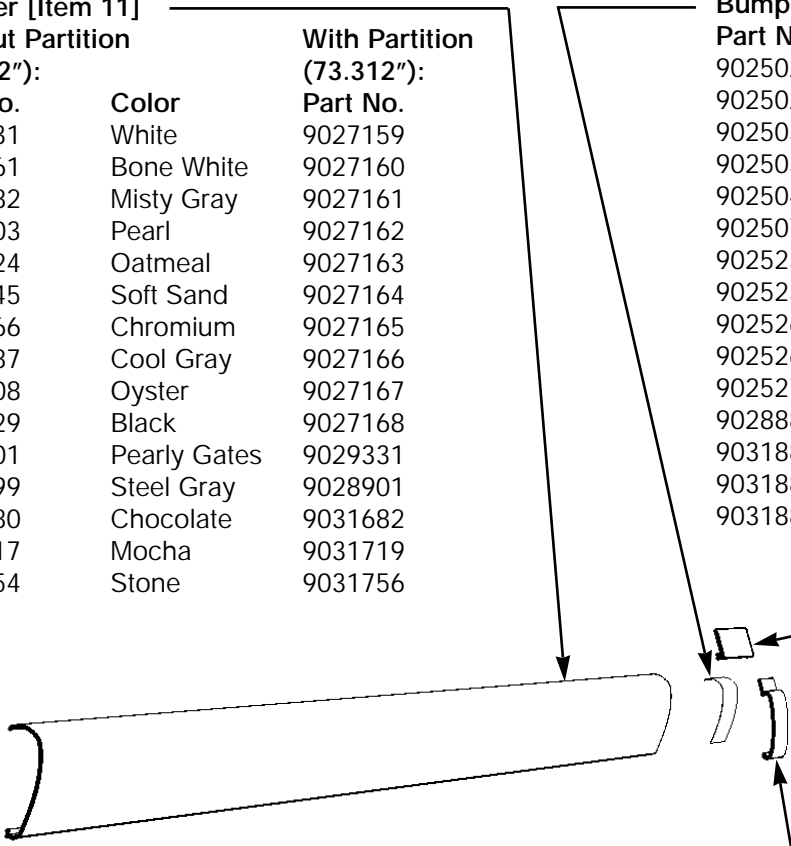
Part No.
9027159
9027160
9027161
9027162
9027163
9027164
9027165
9027166
9027167
9027168
9029331
9028901
9031682
9031719
9031756

Bumper Backer [Item 10]

Part No.	Color
9025023	White
9025028	Bone White
9025035	Misty Gray
9025038	Pearl
9025041	Oatmeal
9025079	Pearly Gates
9025253	Soft Sand
9025258	Chromium
9025265	Cool Gray
9025268	Oyster
9025271	Black
9028883	Steel Gray
9031884	Chocolate
9031885	Mocha
9031886	Stone

Opt. Color Band Backer [Item 8]

Part No.	Color
9021316	MB/SS
9021440	Walnut
9021441	Teakwood
9021442	Quaker Oak
9021443	Comp. Oak



Bumper End Trim [Item 9]

Part No.	Color
9028000	White
9028001	Bone White
9028002	Misty Gray
9028003	Pearl
9028004	Oatmeal
9028005	Soft Sand
9028006	Chromium
9028007	Cool Gray
9028008	Oyster
9028009	Black
9029345	Pearly Gates
9034326	Steel Gray
9034327	Chocolate
9034328	Mocha
9034329	Stone
9023195	RH Bmpr Pusher Brkt
9028082	LH Bmpr Pusher Brkt
5053985	Screw (2 per brkt)

Kickplate [Item 14] Without Partition (72.313")

Part No.	Color
9041650	Cool Gray
9041651	Black
9041552	Pearl
9041654	Steel Gray

With Partition (73.313")

Part No.
9041660
9041661
9041662
9041664

Optional Kickplate Extension [Item 17]

Without Partition (72.313")

Part No.	Color
9042836	Cool Gray
9042837	Black
9042838	Pearl
9042839	Steel Gray

With Partition (73.313")

Part No.
9042844
9042845
9042846
9042847



CLADDING, COVERS AND TRIMS - (CONT'D)

N3MG8

Bumper [Item 11]

Without Partition
(96.437"):

Part No.	Color
9025037	White
9025267	Bone White
9025288	Misty Gray
9025309	Pearl
9025330	Oatmeal
9025351	Soft Sand
9025372	Chromium
9025393	Cool Gray
9025414	Oyster
9025435	Black
9029335	Pearly Gates
9028906	Steel Gray
9031688	Chocolate
9031725	Mocha
9031762	Stone

With Partition
(97.437"):

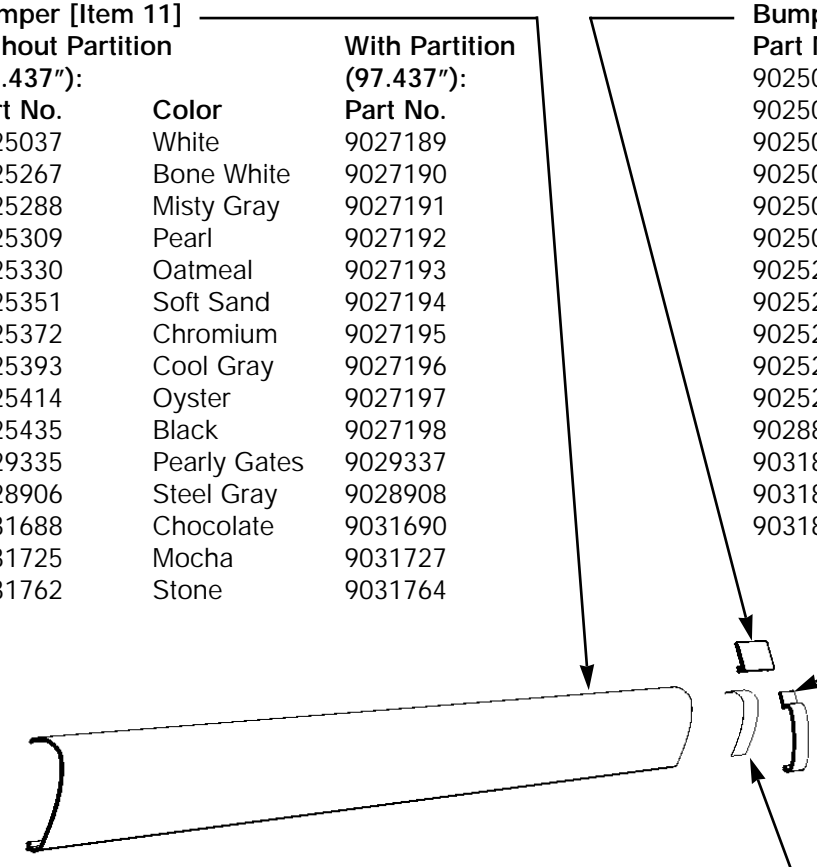
Part No.	Color
9027189	White
9027190	Bone White
9027191	Misty Gray
9027192	Pearl
9027193	Oatmeal
9027194	Soft Sand
9027195	Chromium
9027196	Cool Gray
9027197	Oyster
9027198	Black
9029337	Pearly Gates
9028908	Steel Gray
9031690	Chocolate
9031727	Mocha
9031764	Stone

Bumper Backer [Item 10]

Part No.	Color
9025023	White
9025028	Bone White
9025035	Misty Gray
9025038	Pearl
9025041	Oatmeal
9025079	Pearly Gates
9025253	Soft Sand
9025258	Chromium
9025265	Cool Gray
9025268	Oyster
9025271	Black
9028883	Steel Gray
9031884	Chocolate
9031885	Mocha
9031886	Stone

Optional Color Band Backer [Item 8]

Part No.	Color
9021316	MB/SS
9021440	Walnut
9021441	Teakwood
9021442	Quaker Oak
9021443	Comp. Oak



Kickplate [Item 14]

Without Partition
(96.438")

Part No.	Color
9041695	Cool Gray
9041696	Black
9041697	Pearl
9041699	Steel Gray

With Partition
(97.438")

Part No.	Color
9041705	White
9041706	Bone White
9041707	Misty Gray
9041709	Pearl

Optional Kickplate Extension [Item 17]

Without Partition
(96.438")

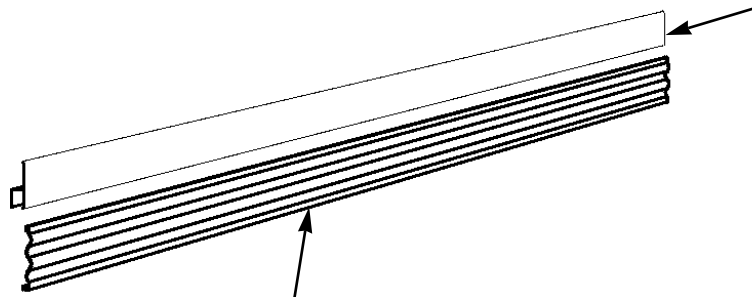
Part No.	Color
9042872	Cool Gray
9042873	Black
9042874	Pearl
9042875	Steel Gray

With Partition
(97.438")

Part No.	Color
9042880	White
9042881	Bone White
9042882	Misty Gray
9042883	Pearl

Bumper End Trim [Item 9]

Part No.	Color
9028000	White
9028001	Bone White
9028002	Misty Gray
9028003	Pearl
9028004	Oatmeal
9028005	Soft Sand
9028006	Chromium
9028007	Cool Gray
9028008	Oyster
9028009	Black
9029345	Pearly Gates
9034326	Steel Gray
9034327	Chocolate
9034328	Mocha
9034329	Stone
9023195	RH Bmpr Pusher Brkt
9028082	LH Bmpr Pusher Brkt
5053985	Screw (2 per brkt)





CLADDING, COVERS AND TRIMS - (CONT'D)

N3MG12

Bumper [Item 11] Without Partition (144.562"):

Part No.	Color
9025040	White
9025069	Pearly Gates
9025270	Bone White
9025291	Misty Gray
9025312	Pearl
9025333	Oatmeal
9025354	Soft Sand
9025375	Chromium
9025396	Cool Gray
9025417	Oyster
9025438	Black
9028913	Steel Gray
9031696	Chocolate
9031733	Mocha
9031770	Stone

With Partition (145.563"):

Part No.
9027209
9029341
9027210
9027211
9027212
9027213
9027214
9027215
9027216
9027217
9027218
9028915
9031698
9031735
9031772

Bumper Backer [Item 10]

Part No.	Color
9025023	White
9025028	Bone White
9025035	Misty Gray
9025038	Pearl
9025041	Oatmeal
9025079	Pearly Gates
9025253	Soft Sand
9025258	Chromium
9025265	Cool Gray
9025268	Oyster
9025271	Black
9028883	Steel Gray
9031884	Chocolate
9031885	Mocha
9031886	Stone

Optional Color Band Backer [Item 8]

Part No.	Color
9021316	MB/SS
9021440	Walnut
9021441	Teakwood
9021442	Quaker Oak
9021443	Comp. Oak

Bumper End Trim [Item 9]

Part No.	Color
9028000	White
9028001	Bone White
9028002	Misty Gray
9028003	Pearl
9028004	Oatmeal
9028005	Soft Sand
9028006	Chromium
9028007	Cool Gray
9028008	Oyster
9028009	Black
9029345	Pearly Gates
9034326	Steel Gray
9034327	Chocolate
9034328	Mocha
9034329	Stone
9023195	RH Bmpr Pusher Brkt
9028082	LH Bmpr Pusher Brkt
5053985	Screw (2 per brkt)

Kickplate [Item 14] Without Partition (144.563")

Part No.	Color
9041735	Cool Gray
9041736	Black
9041737	Pearl
9041739	Steel Gray

With Partition (145.563")

Part No.
9041745
9041746
9041747
9041749

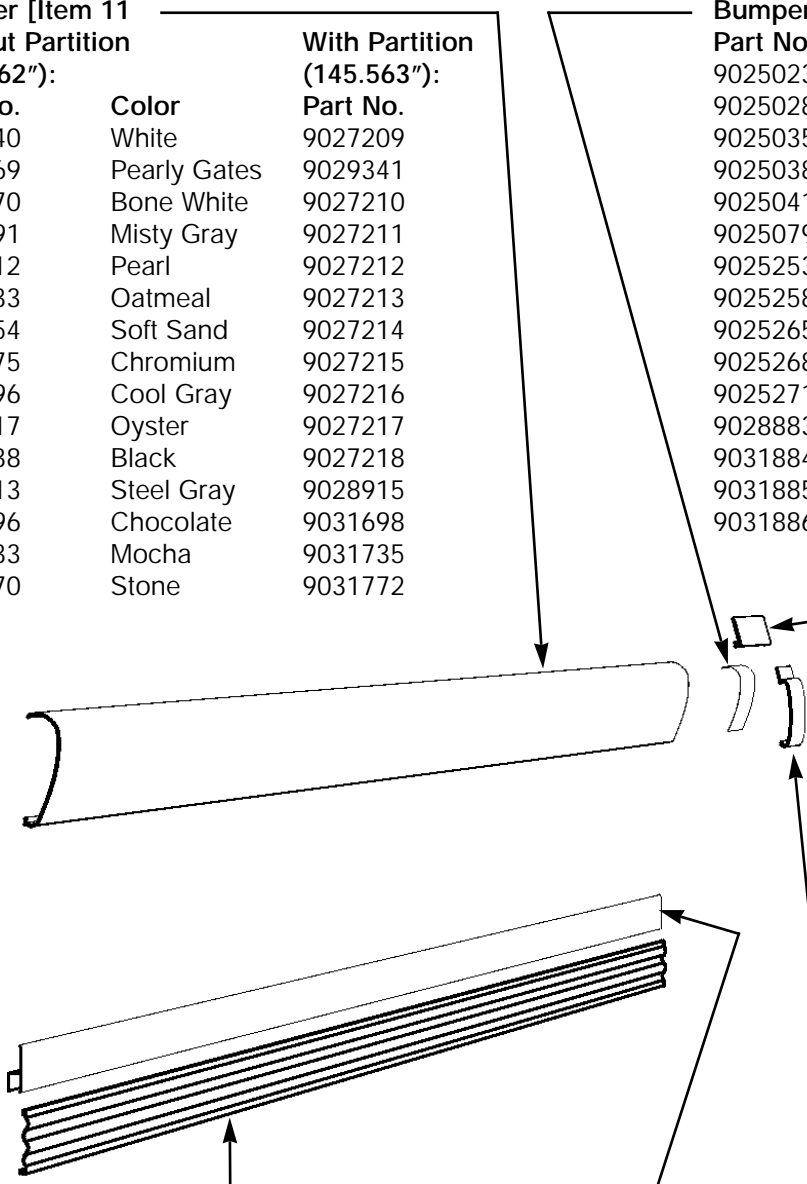
Optional Kickplate Extension [Item 17]

Without Partition (144.563")

Part No.	Color
9042900	Cool Gray
9042901	Black
9042902	Pearl
9042903	Steel Gray

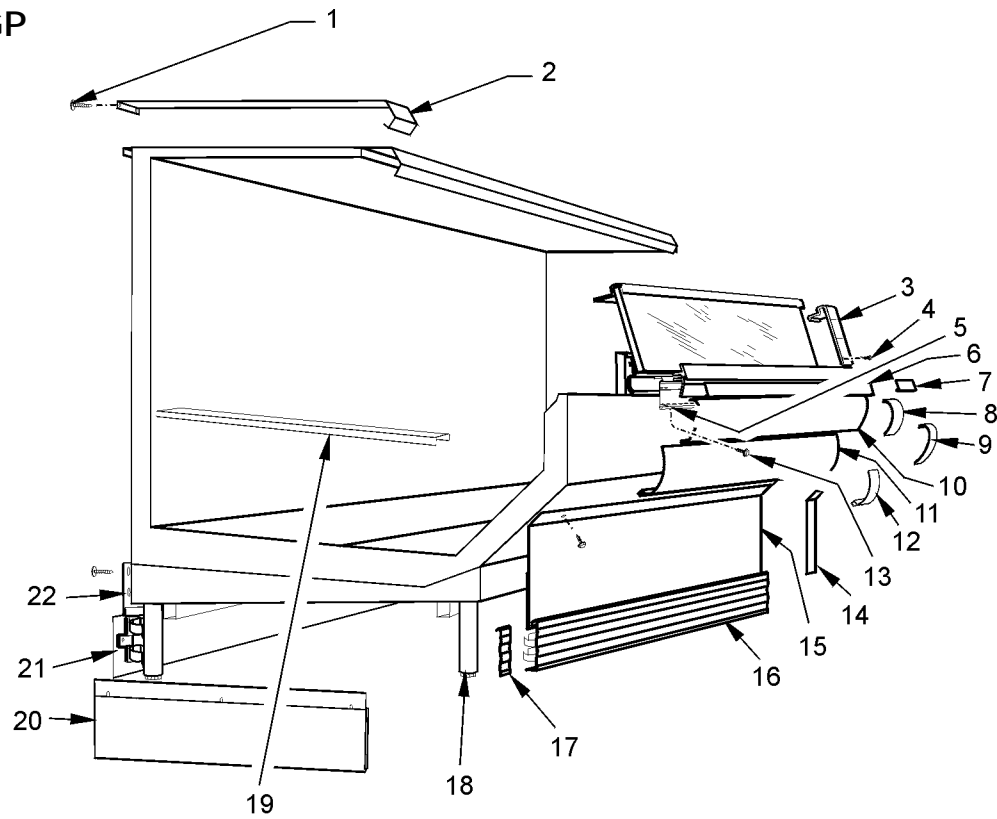
With Partition (145.563")

Part No.
9042908
9042909
9042910
9042911





CLADDING, COVERS AND TRIMS N3MGP



6', 8' and 12' Merchandiser

Item	Part No.	Quantity			Description	Item	Part No.	Quantity			Description
		6'	8'	12'				6'	8'	12'	
1	5100217	2	2	2	Screw	5183536	6	8	8	Screw	
2	9042342	1	1	1	RR Riser JT Trim	16	9024937	1	-	-	FRT Kickplate Assy. 53"
3	9025959	1	1	1	Glass JT Trim	9024938	-	1	-	FRT Kickplate Assy. 53"	
4	5120206	2	2	2	Screw	9024938	-	-	1	FRT Kickplate Assy. 53"	
5	9025052	1	-	-	Bumper Retainer	9024974	1	-	-	FRT Kickplate Assy. 3 3/4" LWR	
	9025058	-	1	-	Bumper Retainer	9024975	-	1	-	FRT Kickplate Assy. 3 3/4" LWR	
	9025061	-	-	1	Bumper Retainer	9024976	-	-	1	FRT Kickplate Assy. 3 3/4" LWR	
6	9025238	1	-	-	Color Band PTD	17	9043816	1	1	1	Kickplate Joint Trim
	9025239	-	1	-	Color Band PTD	5619204	4	4	4	Screw	
	9025240	-	-	1	Color Band PTD	18	9045242	6	6	8	Pipe Leg 2" DIA X 7 1/4" H
7	9025653	1	1	1	Color Band Backer PTD	19	5964733	1	1	1	Horizontal End Trim
	9021316	1	1	1	Optional Color Band Backer MB/SS	20	9037922	1	1	1	End Close-off PTD
	9021442	1	1	1	Optional Color Band Backer Quaker Oak	21	9024934	1	-	-	OPT RR Base Close-off .53" PTD
8	+	1	1	1	Bumper Backer	9024935	-	1	-	OPT RR Base Close-off .53" PTD	
9	+	1	1	1	Bumper End Trim	9024936	-	-	1	OPT RR Base Close-off .53" PTD	
10	+	1	1	1	Bumper	9024963	1	-	-	OPT RR Base Close-off 3 3/4" LWR PTD	
11	9024922	1	-	-	UPR FRT Cladding PTD	9024964	-	1	-	OPT RR Base Close-off 3 3/4" LWR PTD	
	9037950	-	1	-	UPR FRT Cladding PTD	9024965	-	-	1	OPT RR Base Close-off 3 3/4" LWR PTD	
	9037953	-	-	1	UPR FRT Cladding PTD	9043080	16	24	32	Screw	
12	9037957	1	1	1	UPR FRT Cladding End Trim						
	9024814	1	1	1	Screw						
13	5183536	6	8	8	Screw						
14	9037923	1	1	1	LWR FRT Cladding JT Trim						
	9024814	1	1	1	Screw						
15	9043822	1	-	-	LWR FRT Cladding						
	9043823	-	1	-	LWR FRT Cladding						
	9043824	-	-	1	LWR FRT Cladding						



CLADDING, COVERS AND TRIMS - (CONT'D)

N3MGP6

Bumper [Item 10]

Without Partition
(72.312"):

Part No.	Color
9025031	White
9025261	Bone White
9025282	Misty Gray
9025303	Pearl
9025324	Oatmeal
9025345	Soft Sand
9025366	Chromium
9025387	Cool Gray
9025408	Oyster
9025429	Black
9026501	Pearly Gates
9028899	Steel Gray
9031680	Chocolate
9031717	Mocha
9031754	Stone

With Partition
(73.312"):

Part No.
9027159
9027160
9027161
9027162
9027163
9027164
9027165
9027166
9027167
9027168
9029331
9028901
9031682
9031719
9031756

Bumper Backer [Item 8]

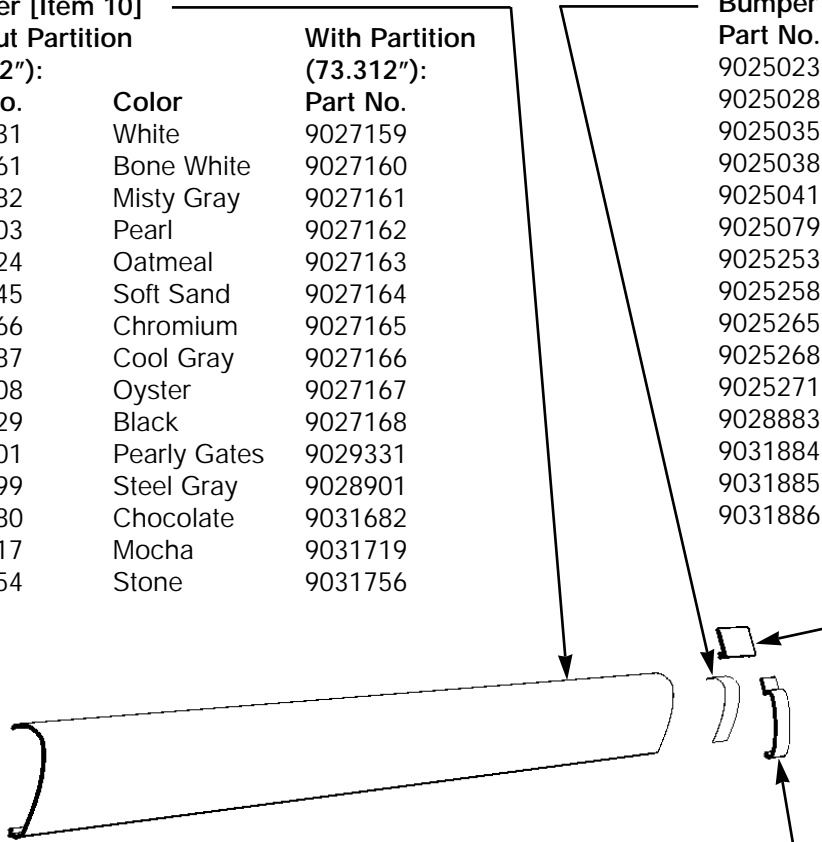
Part No.	Color
9025023	White
9025028	Bone White
9025035	Misty Gray
9025038	Pearl
9025041	Oatmeal
9025079	Pearly Gates
9025253	Soft Sand
9025258	Chromium
9025265	Cool Gray
9025268	Oyster
9025271	Black
9028883	Steel Gray
9031884	Chocolate
9031885	Mocha
9031886	Stone

Opt. Color Band Backer [Item 7]

Part No.	Color
9021316	MB/SS
9021440	Walnut
9021441	Teakwood
9021442	Quaker Oak
9021443	Comp. Oak

Bumper End Trim [Item 9]

Part No.	Color
9028000	White
9028001	Bone White
9028002	Misty Gray
9028003	Pearl
9028004	Oatmeal
9028005	Soft Sand
9028006	Chromium
9028007	Cool Gray
9028008	Oyster
9028009	Black
9029345	Pearly Gates
9034326	Steel Gray
9034327	Chocolate
9034328	Mocha
9034329	Stone
9023195	RH Bmpr Pusher Brkt
9028082	LH Bmpr Pusher Brkt
5053985	Screw (2 per brkt)





CLADDING, COVERS AND TRIMS - (CONT'D)

N3MGP8

Bumper [Item 10] Without Partition (96.437"):

Part No.	Color
9025037	White
9025267	Bone White
9025288	Misty Gray
9025309	Pearl
9025330	Oatmeal
9025351	Soft Sand
9025372	Chromium
9025393	Cool Gray
9025414	Oyster
9025435	Black
9029335	Pearly Gates
9028906	Steel Gray
9031688	Chocolate
9031725	Mocha
9031762	Stone

With Partition (97.437"):

Part No.
9027189
9027190
9027191
9027192
9027193
9027194
9027195
9027196
9027197
9027198
9029337
9028908
9031690
9031727
9031764

Bumper Backer [Item 8]

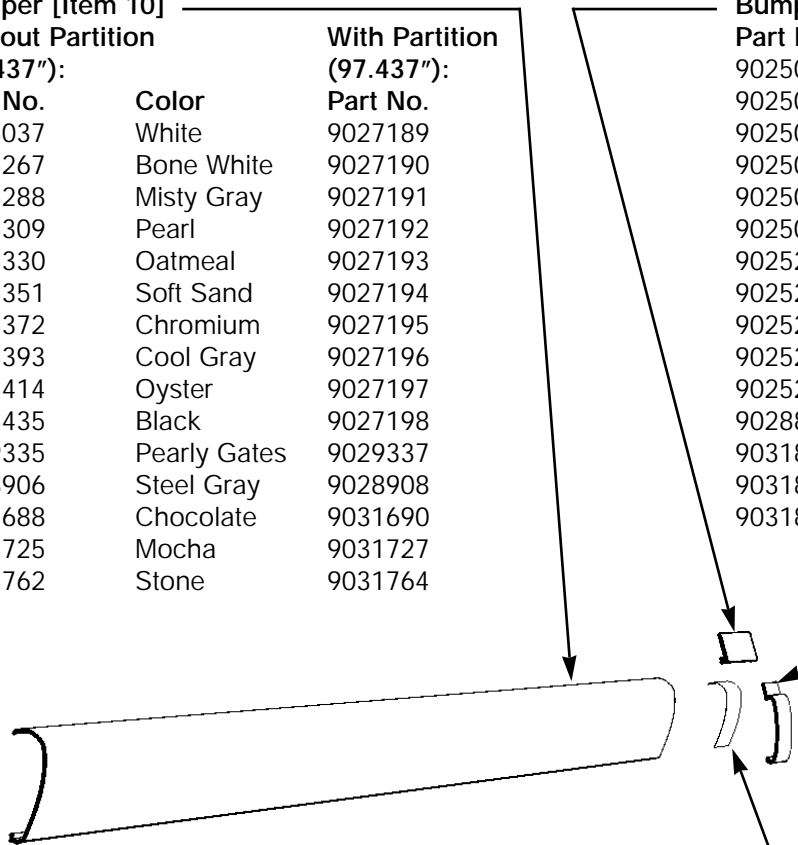
Part No.	Color
9025023	White
9025028	Bone White
9025035	Misty Gray
9025038	Pearl
9025041	Oatmeal
9025079	Pearly Gates
9025253	Soft Sand
9025258	Chromium
9025265	Cool Gray
9025268	Oyster
9025271	Black
9028883	Steel Gray
9031884	Chocolate
9031885	Mocha
9031886	Stone

Optional Color Band Backer [Item 7]

Part No.	Color
9021316	MB/SS
9021440	Walnut
9021441	Teakwood
9021442	Quaker Oak
9021443	Comp. Oak

Bumper End Trim [Item 9]

Part No.	Color
9028000	White
9028001	Bone White
9028002	Misty Gray
9028003	Pearl
9028004	Oatmeal
9028005	Soft Sand
9028006	Chromium
9028007	Cool Gray
9028008	Oyster
9028009	Black
9029345	Pearly Gates
9034326	Steel Gray
9034327	Chocolate
9034328	Mocha
9034329	Stone
9023195	RH Bmpr Pusher Brkt
9028082	LH Bmpr Pusher Brkt
5053985	Screw (2 per brkt)





CLADDING, COVERS AND TRIMS - (CONT'D)

N3MGP12

Bumper [Item 10] Without Partition (144.562"):

Part No.	Color
9025040	White
9025069	Pearly Gates
9025270	Bone White
9025291	Misty Gray
9025312	Pearl
9025333	Oatmeal
9025354	Soft Sand
9025375	Chromium
9025396	Cool Gray
9025417	Oyster
9025438	Black
9028913	Steel Gray
9031696	Chocolate
9031733	Mocha
9031770	Stone

With Partition (145.563"):

Part No.
9027209
9029341
9027210
9027211
9027212
9027213
9027214
9027215
9027216
9027217
9027218
9028915
9031698
9031735
9031772

Bumper Backer [Item 8]

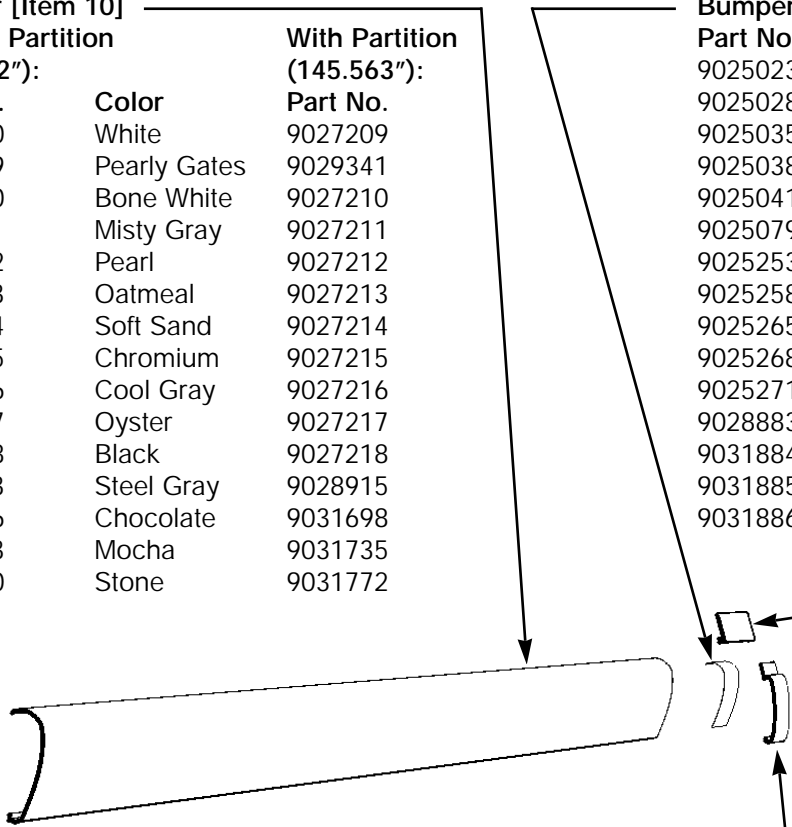
Part No.	Color
9025023	White
9025028	Bone White
9025035	Misty Gray
9025038	Pearl
9025041	Oatmeal
9025079	Pearly Gates
9025253	Soft Sand
9025258	Chromium
9025265	Cool Gray
9025268	Oyster
9025271	Black
9028883	Steel Gray
9031884	Chocolate
9031885	Mocha
9031886	Stone

Optional Color Band Backer [Item 7]

Part No.	Color
9021316	MB/SS
9021440	Walnut
9021441	Teakwood
9021442	Quaker Oak
9021443	Comp. Oak

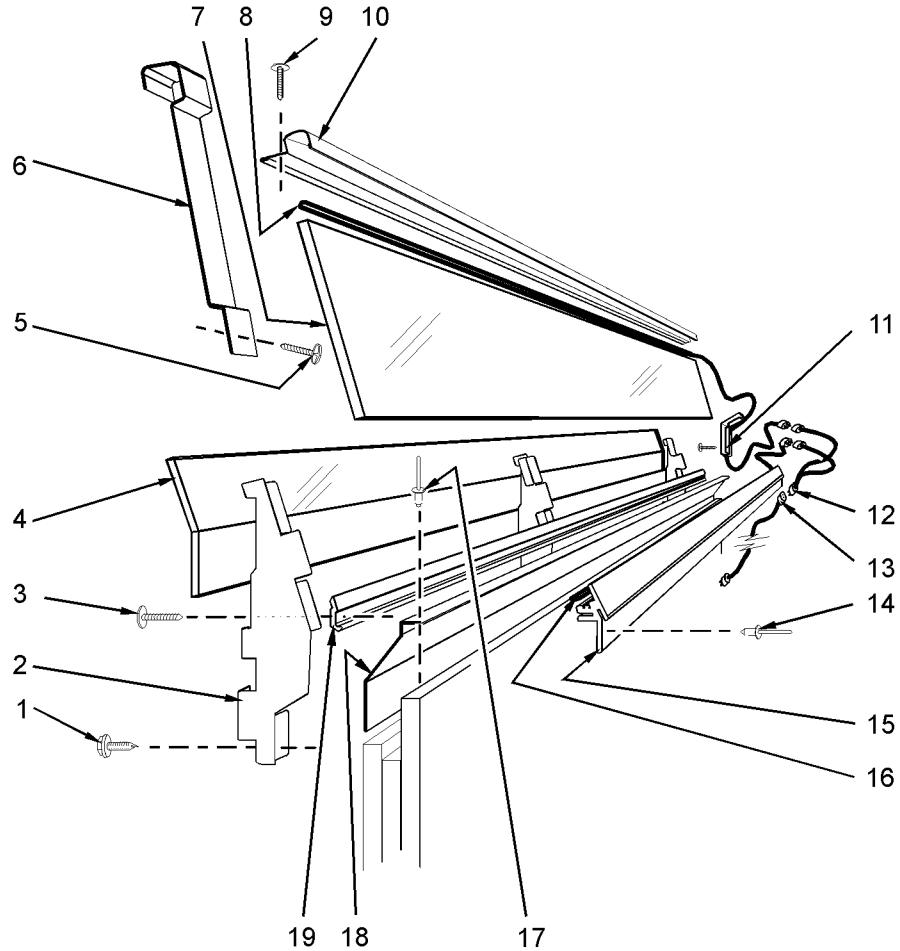
Bumper End Trim [Item 9]

Part No.	Color
9028000	White
9028001	Bone White
9028002	Misty Gray
9028003	Pearl
9028004	Oatmeal
9028005	Soft Sand
9028006	Chromium
9028007	Cool Gray
9028008	Oyster
9028009	Black
9029345	Pearly Gates
9034326	Steel Gray
9034327	Chocolate
9034328	Mocha
9034329	Stone
9023195	RH Bmpr Pusher Brkt
9028082	LH Bmpr Pusher Brkt
5053985	Screw (2 per brkt)





STRUCTURAL COMPONENTS
FRONT GLASS - N3MG - N3MGPB



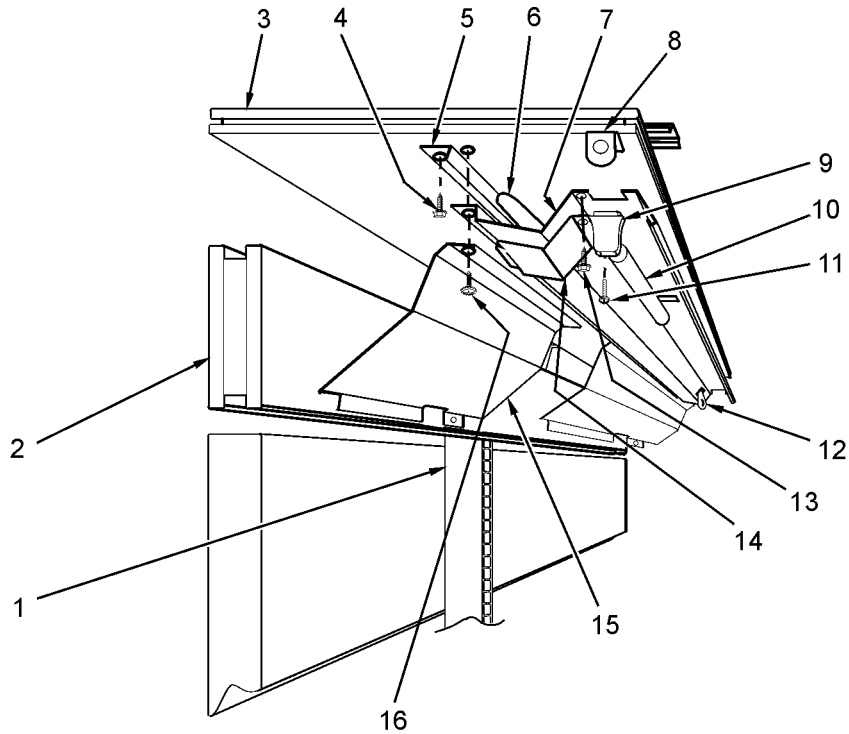
6', 8' and 12' Merchandiser

Item	Part No.	Quantity			Description	Item	Part No.	Quantity			Description
		6'	8'	12'				6'	8'	12'	
1	5183536	8	8	12	Screw	12	5124209	1	1	1	"Y" Harness
2	5200932	1	1	1	LH Glass Support	13	5123835	1	1	1	Harness
	5200931	1	1	1	RH Glass Support	14	5105037	5	7	10	Rivet
	5203148	1	1	2	CTR Glass Support	*	9026027	1	-	-	Front Retainer Assy.
3	5203018	5	8	12	Screw	*	9026028	-	1	-	Front Retainer Assy.
	5243668	2	-	-	Barrier Glass	*	9026029	-	-	1	Front Retainer Assy.
4	5243669	-	2	3	Barrier Glass	15	9026024	1	-	-	Front Retainer
	5120206	2	2	2	Screw		9026025	-	1	-	Front Retainer
5	9025959	1	1	1	Glass Joint Trim		9026026	-	-	1	Front Retainer
6	9026030	1	-	-	Front Thermo Glass	16	5227379	1	-	-	Heater Wire, Bottom
	9026031	-	1	-	Front Thermo Glass		5124216	-	1	-	Heater Wire, Bottom
	9026032	-	-	1	Front Thermo Glass		5124217	-	-	1	Heater Wire, Bottom
	5227379	1	-	-	Heater Wire, Top		5057259	6'	6'	12'	Aluminum Tape
7	5124216	-	1	-	Heater Wire, Top	17	5104702	6	8	11	Rivet
	5124217	-	-	1	Heater Wire, Top		5240853	1	-	-	Foam Cover
	5102643	3	3	4	Screw		5240856	-	1	-	Foam Cover
8	9025793	1	-	-	Glass Trim Rail		5240859	-	-	1	Foam Cover
	9025794	-	1	-	Glass Trim Rail	19	5207687	1	-	-	Rear Retainer
	9025795	-	-	1	Glass Trim Rail		5201014	-	1	-	Rear Retainer
5240161	1	1	1	Anti-Sweat Cover	5201015		-	-	1	Rear Retainer	
9	5205439	2	2	2	Screw						



STRUCTURAL COMPONENTS - (CONT'D)

Top Shelf - N3MG - N3MGP

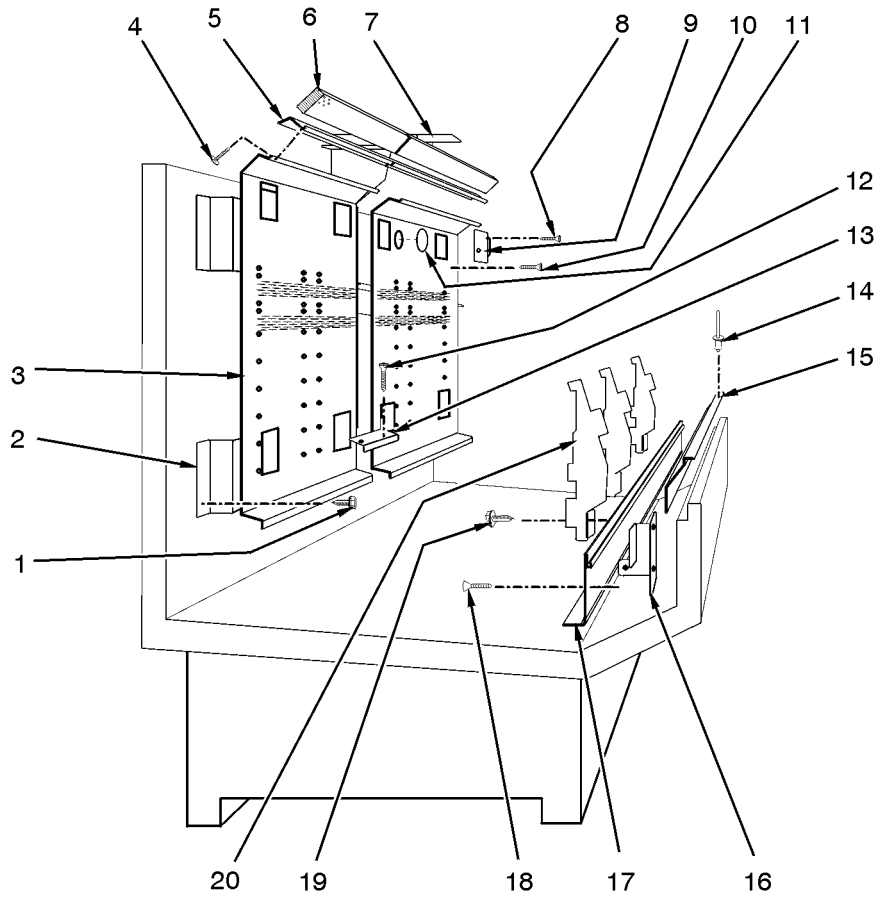


6', 8' and 12' Merchandiser

Item	Part No.	Quantity			Description	Item	Part No.	Quantity			Description
		6'	8'	12'				6'	8'	12'	
1	9042069	1	1	2	CTR Upright Assy.	5619204	4	4	6	Screw	
2	9042251	1	-	-	Rear Extension Assy.	8	9042073	2	2	2	Align Top Support
	9042248	-	1	-	Rear Extension Assy.	1309067	8	8	8	Screw (4 ea. Support	
	9041905	-	-	1	Rear Extension Assy.	9	9041897	4	4	6	Lampholder
3	9042177	1	-	-	Top Shelf Assy.	10	-----	2	-	-	Lamp, 36"
	9042178	-	1	-	Top Shelf Assy.	-----	-	2	3	Lamp, 48"	
	9042179	-	-	1	Top Shelf Assy.	11	5214107	4	4	6	Screw
4	5183536	4	4	6	Screw	12	5100565	1	1	1	Toggle Switch
5	9043413	1	-	-	Upper Grid Retainer	5185153	1	1	1	Screw	
	9043414	-	2	3	Upper Grid Retainer	5103996	1	1	1	Lockwasher	
*	9042297	1	-	-	Light Channel Assy.	5111198	1	1	1	Nut	
*	9042298	-	1	-	Light Channel Assy.	5966617	1	1	-	Harness	
*	9042299	-	-	1	Light Channel Assy.	5966618	-	-	1	Harness	
6	9043426	1	-	-	Heater Wire 44 ohm/ft	13	5100212	2	2	2	Screw
	9043427	-	1	-	Heater Wire 25 ohm/ft	14	9042156	2	2	2	Lt. Channel Access CVR
	9043428	-	-	1	Heater Wire 11 ohm/ft	15	9042321	2	-	-	Air Squeezer
	5057259	13'	17'	25'	Aluminum Tape	9042084	-	2	3	Air Squeezer	
7	9042077	1	-	-	Light Channel	5186737	12'	12'	24'	Ethafoam Tape, 3 1/2"	
	9042078	-	1	-	Light Channel	5106102	5'	5'	8'	Permagum	
	9042079	-	-	1	Light Channel	16	5183536	4	4	6	Screw



STRUCTURAL COMPONENTS - (CONT'D)
 DUCTS AND Z-BARS - N3MG - N3MGP

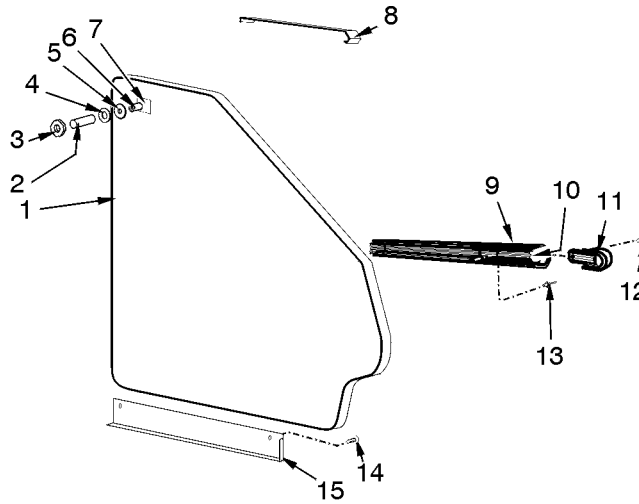


6', 8' and 12' Merchandiser

Item	Part No.	Quantity			Description	Item	Part No.	Quantity			Description
		6'	8'	12'				6'	8'	12'	
1	5183536	8	8	12	Screw	11	5238710	1	1	1	Plug Button
2	5237270	4	4	6	Rear Z-Bar	12	5048626	2	2	4	Screw
3	9040062	1	-	-	LH Rear Duct	13	5237536	1	1	1	LWR RR Duct Joint Trim
	9041037	-	2	3	Rear Duct	14	5104702	6	8	11	Rivet
	9040061	1	-	-	RH Rear Duct	15	5240853	1	-	-	Foam Cover
4	5102643	10	10	13	Screw		5240856	-	1	-	Foam Cover
	9042571	2	-	-	Grid & Retainer Assy.		5240859	-	-	1	Foam Cover
*	9042570	-	2	3	Grid & Retainer Assy.	16	5237269	4	4	6	Front Z-Bar
5	9042569	2	-	-	Lower Grid Retainer	17	5240834	1	-	-	Front Duct
	9042568	-	2	3	Lower Grid Retainer		5240837	-	1	-	Front Duct
6	9040074	2	-	-	Discharge Grid		5240840	-	-	1	Front Duct
	9040042	-	2	3	Discharge Grid	18	5048626	3	3	4	Screw
7	9042069	1	1	2	CTR Upright Assy.	19	5183536	6	6	8	Screw
	5646033	4	4	6	Pull-up Cover	20	5200932	1	1	1	LH Glass Support
	9026091	6	6	9	Outlet Cover		5203148	1	1	2	CTR Glass Support
	5048626	6	6	9	Screw		5200931	1	1	1	RH Glass Support
8	5048626	8	8	12	Screw						
9	9040078	4	4	6	Inspection Cover						
10	5048626	18	18	27	Screw						



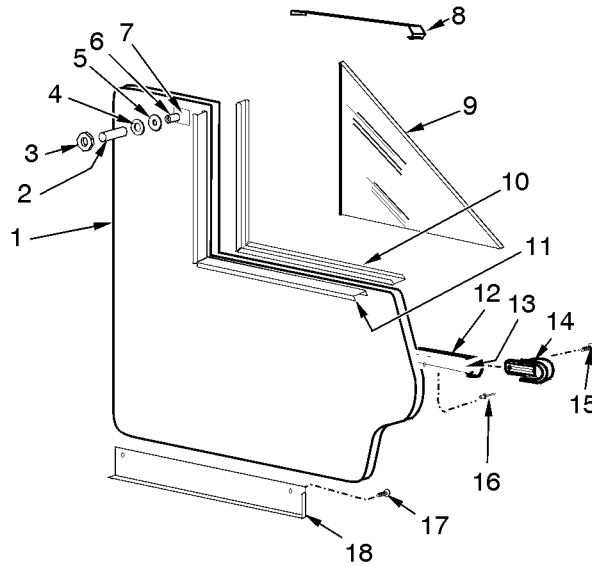
STRUCTURAL COMPONENTS - (CONT'D)
 PATCH ENDS, PARTITIONS AND DIVIDERS
 Solid Patch End - N3MG



Item	Part No.	Qty.	Description	Item	Part No.	Qty.	Description
*	9021597	1	RH Solid End Assy., PTD w/MB SS. Liner - 54.25"	*	9023479	1	End Bumper & Retainer Pair, Cool Gray - 35"/41"
*	9021598	1	LH Solid End Assy., PTD w/MB SS Liner - 54.25"	*	9023488	1	End Bumper & Retainer Pair, Black - 35"/41"
*	9021599	1	RH Solid End Assy., PTD w/BRT SS Liner - 54.25"	*	9023497	1	End Bumper & Retainer Pair, Pearl - 35"/41"
*	9021600	1	LH Solid End Assy., PTD w/BRT SS Liner - 54.25"	*	9040179	1	End Bumper & Retainer Pair, Steel Gray - 35"/41"
1	9024237	1	RH Bench Assy., PTD w/MB SS. Liner - 54.25"	9	9029311	1	1" End Bumper, Pearly Gates - 33"
	9024238	1	LH Bench Assy., PTD w/MB SS Liner - 54.25"		9027973	1	1" End Bumper, Cool Gray - 33"
	9024239	1	RH Bench Assy., PTD w/BRT SS Liner - 54.25"		9027974	1	1" End Bumper, Black - 33"
	9024340	1	LH Bench Assy., PTD w/BRT SS Liner - 54.25"		9027975	1	1" End Bumper, Pearl - 33"
2	9022759	2	Stud		9040180	1	1" End Bumper, Steel Gray - 33"
3	5100625	2	Nut, 5/16"-18		9023459	1	1" End Bumper, Pearly Gates - 39"
4	5101003	2	Lockwasher		9023460	1	1" End Bumper, Cool Gray - 39"
5	5100976	2	Washer		9023461	1	1" End Bumper, Black - 39"
6	9022756	2	Stud, 5/16"-18 x 3"		9023462	1	1" End Bumper, Pearl - 39"
7	9022760	2	Tapping Plate		9310876	1	1" End Bumper, Steel Gray - 39"
8	9043577	1	Rear Riser End Trim	10	9027882	1	Mounting Retainer - 35"
	5100217	1	Screw		9023453	1	Mounting Retainer - 41"
*	9023471	1	End Bumper & Retainer Pair, Pearly Gates - 35"/41"	11	9026528	4	End Cap, Pearly Gates
					9027743	4	End Cap, Cool Gray
					9027744	4	End Cap, Black
					9027742	4	End Cap, Pearl
					9310881	4	End Cap, Steel Gray
				12	5183536	4	Screw
				13	5104702	17	Rivet
				14	5048626	2	Screw
				15	9022460	1	LH Base End Close-off
					9022467	1	RH Base End Close-off



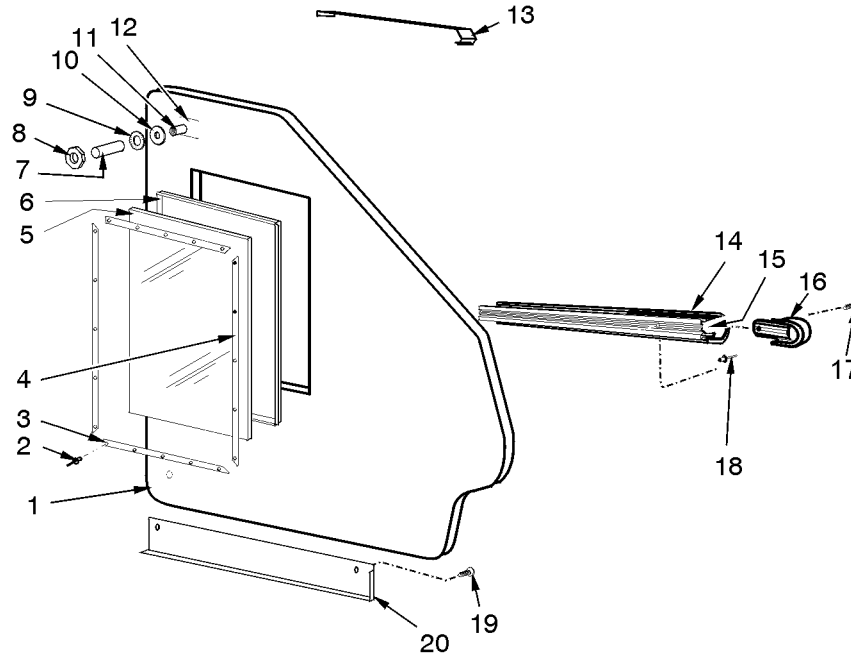
STRUCTURAL COMPONENTS - (CONT'D)
PATCH ENDS, PARTITIONS AND DIVIDERS
Solid Patch End with Glass - N3MG



Item	Part No.	Qty.	Description	Item	Part No.	Qty.	Description
*	9024726	1	RH Solid End Assy. w.Glass, PTD w/PTD Liner - 54.25"	5208285	A/R		Tape
*	9024727	1	LH Solid End Assy. w.Glass, PTD w/PTD Liner - 54.25"	11	9030561	1	End Glass Spacer
*	9024132	1	RH Solid End Assy. w.Glass, PTD w/MB SS Liner - 54.25"	5104702	22		Rivet
*	9024133	1	LH Solid End Assy. w.Glass, PTD w/MB SS Liner - 54.25"	*	9023471	1	End Bumper & Retainer Pair, Pearly Gates - 35"/41"
*	9024124	1	RH Solid End Assy. w.Glass, PTD w/BRT SS Liner - 54.25"	*	9023479	1	End Bumper & Retainer Pair, Cool Gray - 35"/41"
*	9024125	1	LH Solid End Assy. w.Glass, PTD w/BRT SS Liner - 54.25"	*	9023488	1	End Bumper & Retainer Pair, Black - 35"/41"
1	9024728	1	RH Bench Assy. w.Glass, PTD w/PTD Liner - 54.25"	*	9023497	1	End Bumper & Retainer Pair, Pearl - 35"/41"
	9024729	1	LH Bench Assy. w.Glass, PTD w/PTD Liner - 54.25"	*	9040179	1	End Bumper & Retainer Pair, Steel Gray - 35"/41"
	9024276	1	RH Bench Assy. w.Glass, PTD w/MB SS Liner - 54.25"	12	9029311	1	1" End Bumper, Pearly Gates - 33"
	9024277	1	LH Bench Assy. w.Glass, PTD w/MB SS Liner - 54.25"		9027973	1	1" End Bumper, Cool Gray - 33"
	9024263	1	RH Bench Assy. w.Glass, PTD w/BRT SS Liner - 54.25"		9027974	1	1" End Bumper, Black - 33"
	9024264	1	LH Bench Assy. w.Glass, PTD w/BRT SS Liner - 54.25"		9027975	1	1" End Bumper, Pearl - 33"
2	9022759	2	Stud		9040180	1	1" End Bumper, Steel Gray - 33"
3	5100625	2	Nut, 5/16"-18		9023459	1	1" End Bumper, Pearly Gates - 39"
4	5101003	2	Lockwasher		9023460	1	1" End Bumper, Cool Gray - 39"
5	5100976	2	Washer		9023461	1	1" End Bumper, Black - 39"
6	9022756	2	Stud, 5/16"-18 x 3"		9023462	1	1" End Bumper, Pearl - 39"
7	9022760	2	Tapping Plate		9310876	1	1" End Bumper, Steel Gray - 39"
8	9043577	1	Rear Riser End Trim	13	9027882	1	Mounting Retainer - 35"
	5100217	1	Screw		9023453	1	Mounting Retainer - 41"
	5241717	1	Glass	14	9026528	4	End Cap, Pearly Gates
10	9030560	1	End Glass Trim		9027743	4	End Cap, Cool Gray
					9027744	4	End Cap, Black
					9027742	4	End Cap, Pearl
					9310881	4	End Cap, Steel Gray
				15	5183536	4	Screw
				16	5104702	17	Rivet
				17	5048626	2	Screw
				18	9022460	1	LH Base End Close-off
					9022467	1	RH Base End Close-off



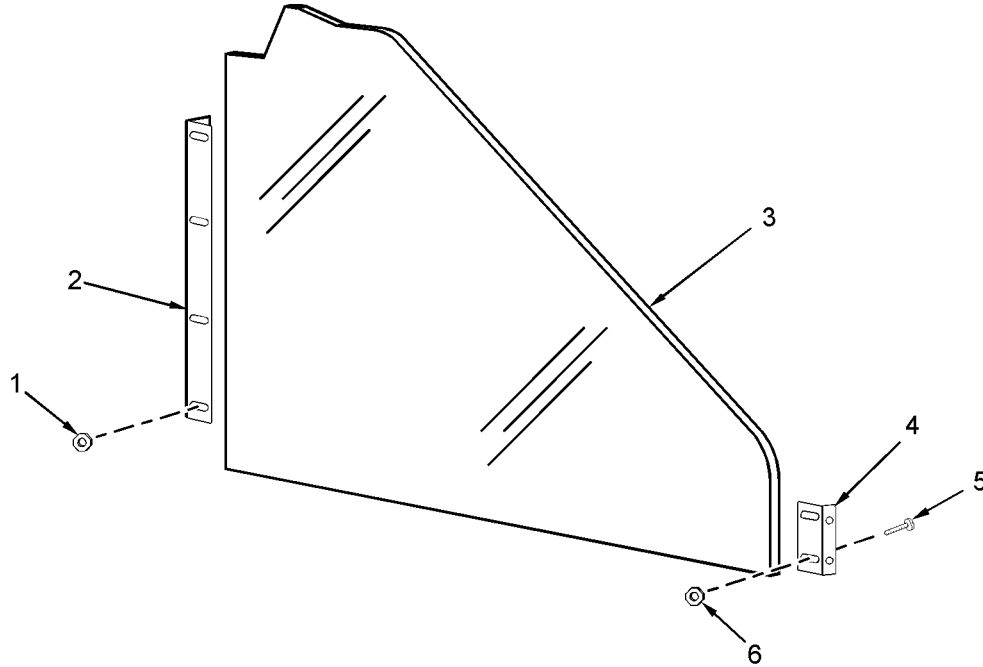
STRUCTURAL COMPONENTS - (CONT'D)
PATCH ENDS, PARTITIONS AND DIVIDERS
Solid Patch End with Mirror - N3MG



Item	Part No.	Qty.	Description	Item	Part No.	Qty.	Description
*	9600870	1	RH Solid End Assy. w/Mirror, PTD w/BRT SS Liner - 54.25"	*	9023488	1	End Bumper & Retainer Pair, Black - 35"/41"
*	9600871	1	LH Solid End Assy. w/Mirror, PTD w/BRT SS Liner - 54.25"	*	9023497	1	End Bumper & Retainer Pair, Pearl - 35"/41"
1	9024280	1	RH Bench Assy. w/Mirror, PTD w/BRT SS Liner - 54.25"	*	9040179	1	End Bumper & Retainer Pair, Steel Gray - 35"/41"
	9024281	1	LH Bench Assy. w/Mirror, PTD w/BRT SS Liner - 54.25"	14	9029311	1	1" End Bumper, Pearly Gates - 33"
2	5237490	14	Rivet		9027973	1	1" End Bumper, Cool Gray - 33"
3	9600865	2	Front Horizontal Mirror Trim		9027974	1	1" End Bumper, Black - 33"
4	5908164	2	Front Vertical Mirror Trim		9027975	1	1" End Bumper, Pearl - 33"
5	9600867	1	Mirror		9040180	1	1" End Bumper, Steel Gray - 33"
6	9600866	1	Mirror Pan		9023459	1	1" End Bumper, Pearly Gates - 39"
7	9022756	3	Threaded Insert, 5/16"-18 x 3"		9023460	1	1" End Bumper, Cool Gray - 39"
8	5100625	3	Nut, 5/16"-18		9023461	1	1" End Bumper, Black - 39"
9	5101003	3	Lockwasher		9023462	1	1" End Bumper, Pearl - 39"
10	5100976	3	Washer		9310876	1	1" End Bumper, Steel Gray - 39"
11	9022759	3	Stud	15	9027882	1	Mounting Retainer - 35"
12	9022760	3	Tapping Plate		9023453	1	Mounting Retainer - 41"
13	9043577	1	Rear Riser End Trim	16	9026528	4	End Cap, Pearly Gates
	5100217	1	Screw		9027743	4	End Cap, Cool Gray
*	9023471	1	End Bumper & Retainer Pair, Pearly Gates - 35"/41"		9027744	4	End Cap, Black
*	9023479	1	End Bumper & Retainer Pair, Cool Gray - 35"/41"		9027742	4	End Cap, Pearl
					9310881	4	End Cap, Steel Gray
				17	5183536	4	Screw
				18	5104702	17	Rivet
				19	5048626	2	Screw
				20	9022460	1	LH Base End Close-off
					9022467	1	RH Base End Close-off



STRUCTURAL COMPONENTS - (CONT'D)
PATCH ENDS, PARTITIONS AND DIVIDERS
Floating Plexiglas Divider - N3MG



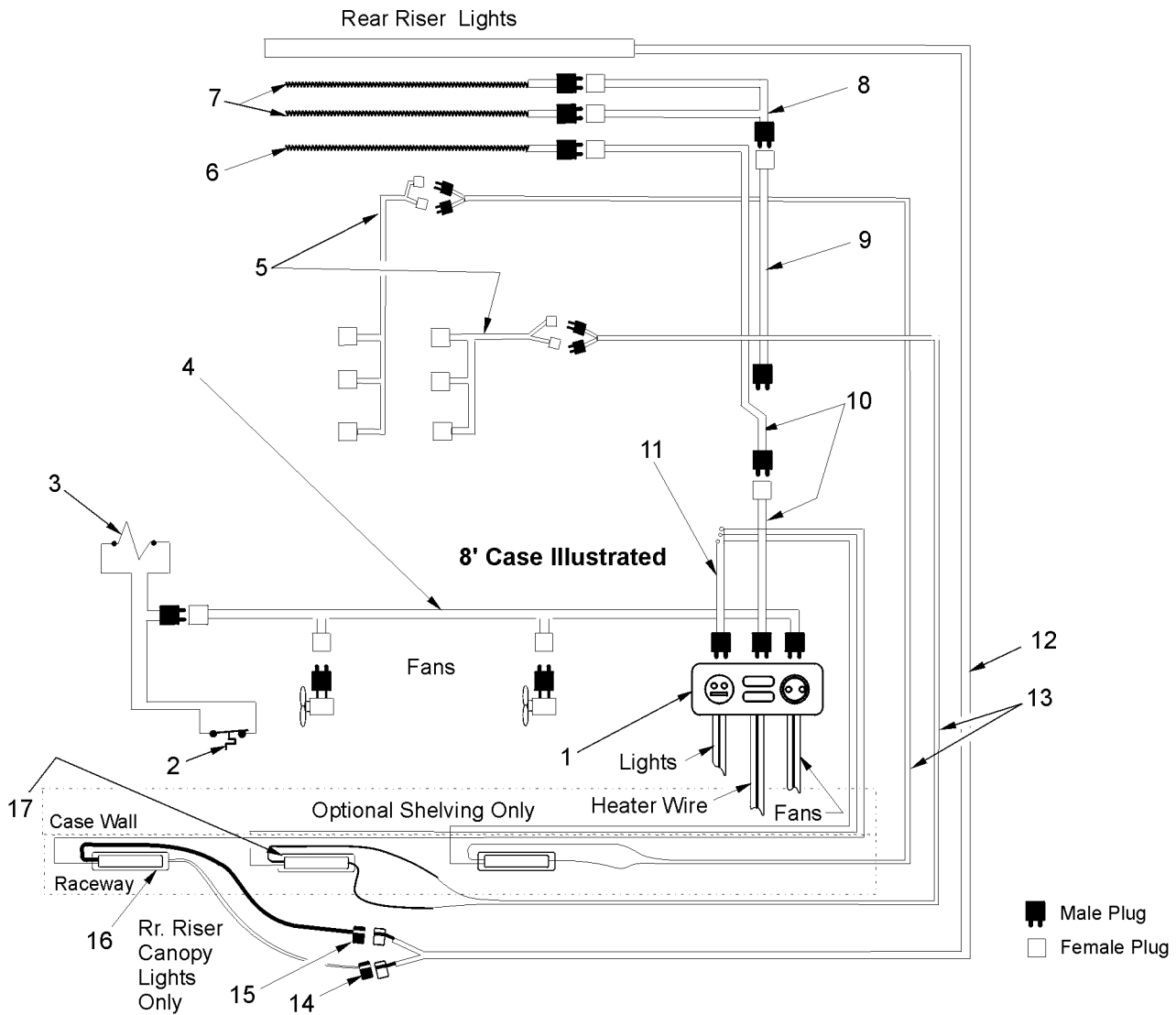
Item	Part No.	Qty.	Description
*	9035304	1	Floating Plexiglas Divider Assembly
1	5100650	4	Nut
	5111242	4	Screw
2	5946095	1	Rear Plexiglas Retainer
3	9035303	1	Plexiglas Partition
4	5239561	1	Front Plexiglas Retainer
5	5111242	2	Screw
6	5100650	2	Nut



ELECTRICAL SYSTEM COMPONENTS

WIRING HARNESES - N3MG

Wiring and Components

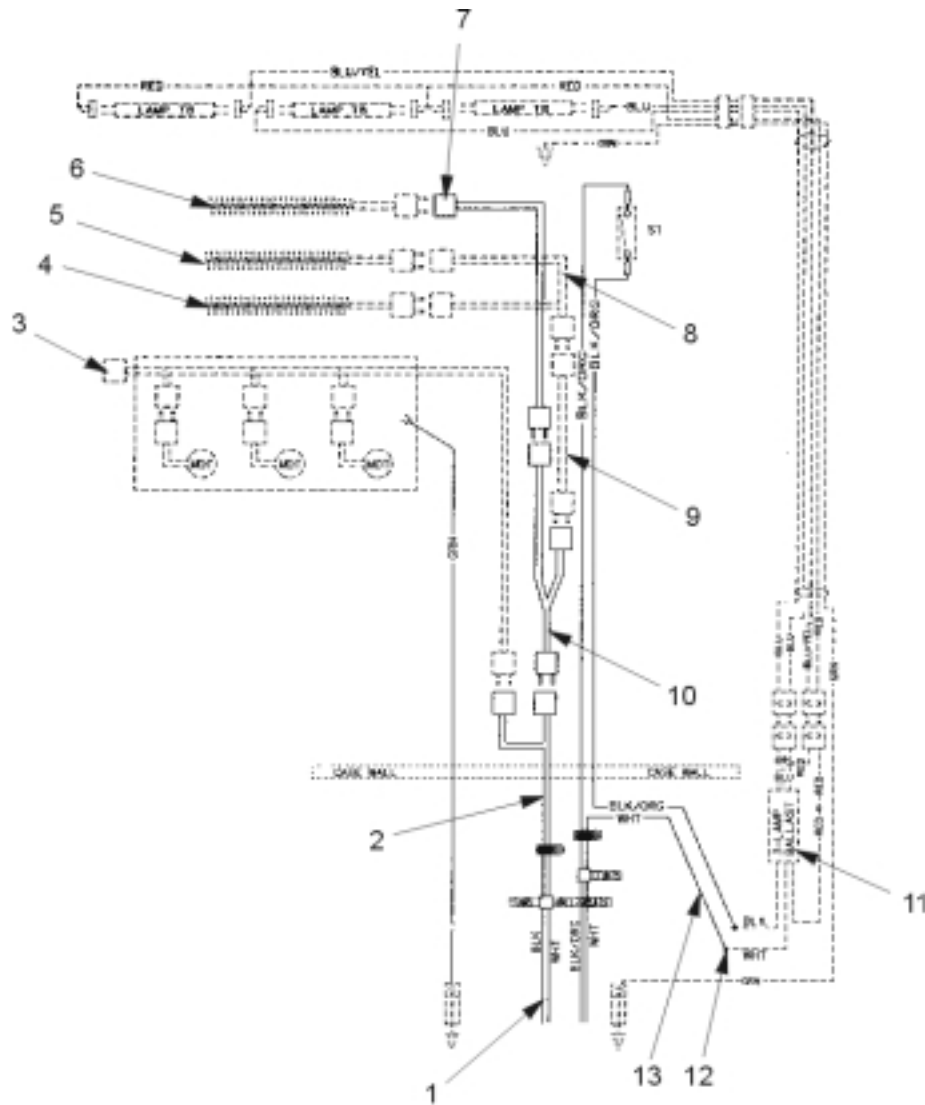


6', 8' and 12' Merchandiser

Item	Part No.	Quantity			Description	Item	Part No.	Quantity			Description
		6'	8'	12'				6'	8'	12'	
1	5199320	1	1	1	Supply Harness, 115V	8	5124209	1	1	1	"Y" Harness
2	5193888	1	1	1	Opt. Thermostat	9	5123835	1	1	1	Anti-Sweat Harness
3	5200225	1	1	1	Opt. Solenoid Valve, 1/2"	10	5123837	2	2	2	Anti-Sweat Harness
	5942194	1	1	1	Opt. Solenoid Valve, 3/8"	11	9026185	1	1	1	Supply Harness, Light
4	5211558	1	1	-	Fan Harness	12	5966617	1	1	-	Light Harness
	5211559	-	-	1	Fan Harness		5966618	-	-	1	Light Harness
5	9041296	2	2	3	Opt. Shelf Harness	13	9041295	2	2	3	Opt. Harness Extension
6	5227379	1	-	-	Heater Wire, Rear Riser	14	5221557	1	1	1	Connector (Blue Harness)
	5124216	-	1	-	Heater Wire, Rear Riser	15	5221558	1	1	1	Connector (Red Harness)
	5124217	-	-	1	Heater Wire, Rear Riser	16	5991029	1	1	-	Ballast, 2-Lamp
7	5227379	1	-	-	Heater Wire, Glass		5991030	-	-	1	Ballast, 3-Lamp
	5124216	-	1	-	Heater Wire, Glass	17	5991030	2	2	3	Opt. Shelf Ballast, 3-Lamp
	5124217	-	-	1	Heater Wire, Glass						



ELECTRICAL SYSTEM COMPONENTS WIRING HARNESSSES - N3MGP

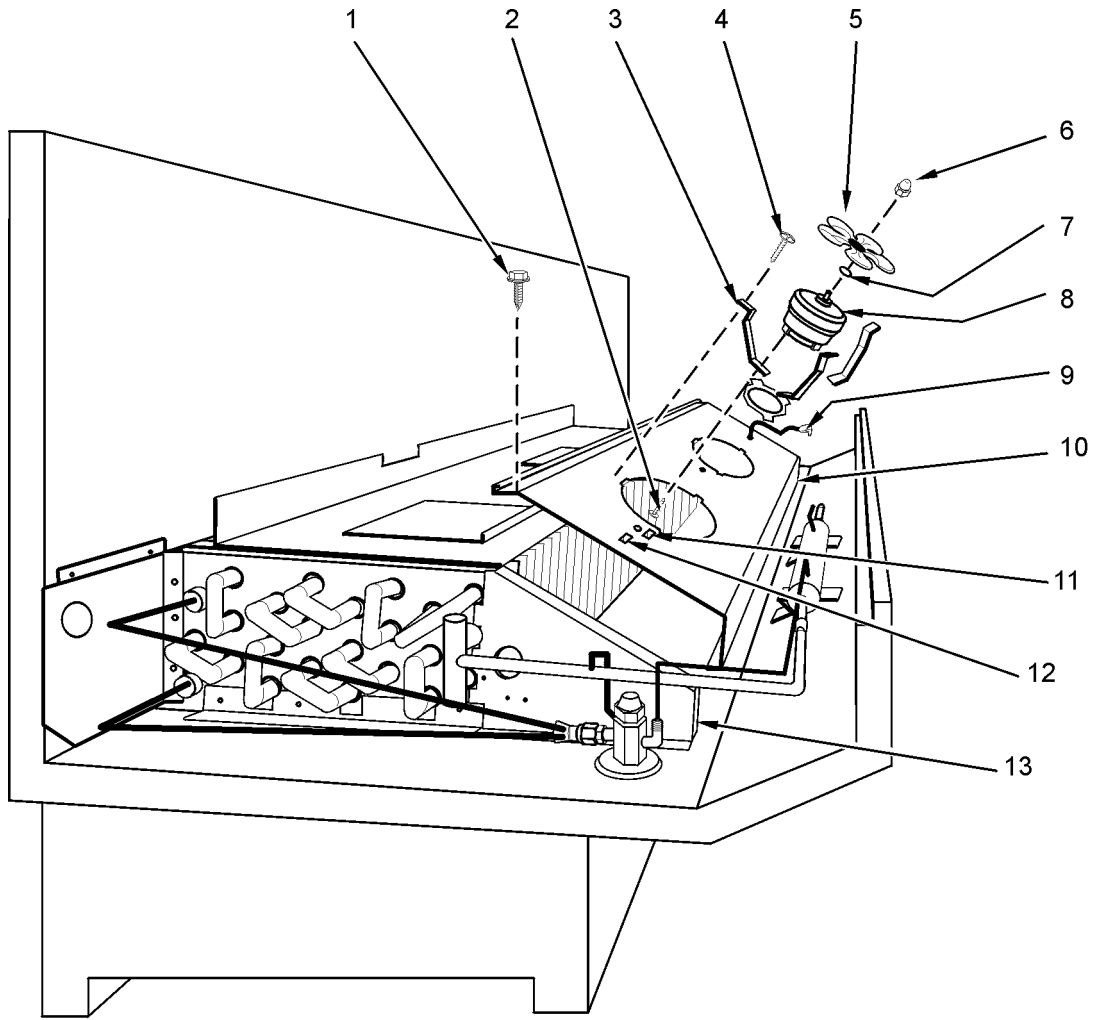


6', 8' and 12' Merchandiser

Item	Part No.	Quantity			Description	Item	Part No.	Quantity			Description	
		6'	8'	12'				6'	8'	12'		
1	9043654	1	1	1	Power Supply Harness	8	5124209	1	1	1	"Y" Harness	
2	9043653	2	2	2	Tie Clamp	9	5123835	1	1	1	Anti-Sweat Harness 300V	
3	5211558	1	1	-	Fan Motor Harness	10	5124209	1	1	1	"Y" Harness	
	5211559	-	-	2	Fan Motor Harness	11	5991029	1	1	1	Ballast - 3 Lamp	
4	5227379	1	-	-	RR Riser Heater Wire 44 ohms/ft		5221557	1	1	1	Ballast Harness - Blue	
5	5124216	-	1	-	RR Riser Heater Wire 25 ohms/ft		5221558	1	1	1	Ballast Harness - Red	
6	5124217	-	-	1	RR Riser Heater Wire 11 ohms/ft		5210988	1	1	1	GRND Lug 1 PT	
7	5123837	1	1	1	Anti Sweat Harness 300V		5195131	3	3	3	GRND Lug TA-6-S	
							5183536	4	4	4	Screw	
							12	5145679	2	2	2	Wire Connector
							13	9042066	3	3	3	Wire-White



ELECTRICAL SYSTEM COMPONENTS - (CONT'D)
 FAN SYSTEMS - N3MG - N3MGP

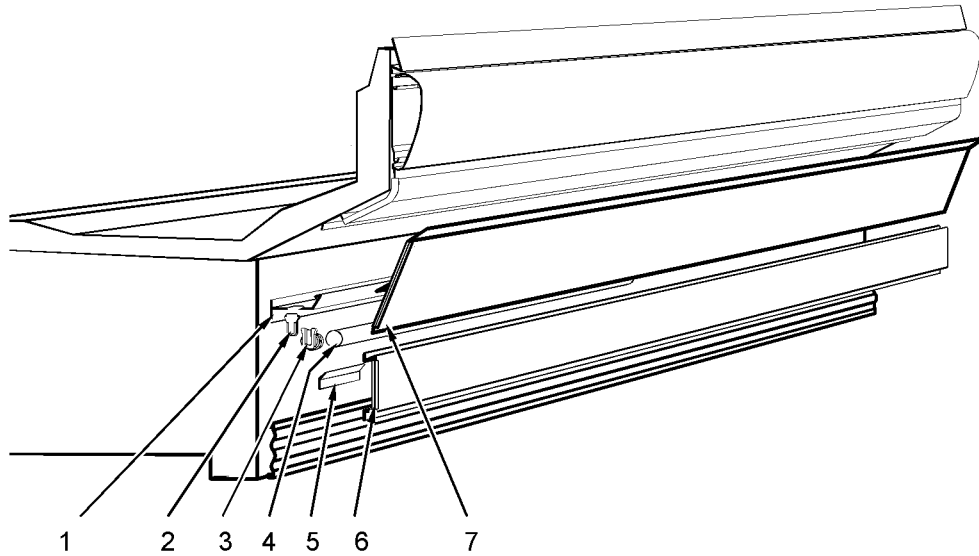


6', 8' and 12' Merchandiser

Item	Part No.	Quantity			Description	Item	Part No.	Quantity			Description
		6'	8'	12'				6'	8'	12'	
1	5183536	5	6	8	Screw	8	5125532	2	2	3	Fan Motor 5W
2	5183536	6	6	9	Screw		9025002	2	2	3	Opt ECM Fan Motor 8W
*	5244989	2	2	3	Fan & Motor Assy.	9	5211558	1	1	-	Harness, Fan
*	9041012	2	2	3	Opt ECM Fan & Motor Assy.		5211559	-	-	1	Harness, Fan
3	5962269	6	6	9	Fan Motor Bracket	10	9040090	1	-	-	Fan Panel
	9041077	2	2	2	Fan Bracket MTG Plate		9040091	-	1	-	Fan Panel
	9025005	6	6	9	Opt ECM Fan Bracket		9040092	-	-	1	Fan Panel
4	-----	6	6	9	Screw (furn. w/motor)		5107190	A/R	A/R	A/R	Ethofoam Gasket
5	5223370	2	2	3	Fan Blade	11	5206177	2	2	3	Harness Clip
	9041013	2	2	3	Opt ECM Fan Blade	12	5122007	3	3	4	Strain Relief
6	-----	2	2	3	Nut (furn. w/motor)	13	5237360	1	1	1	LH Fan Panel Close-off
7	-----	2	2	3	Washer (furn. w/motor)		5237359	1	1	1	RH Fan Panel Close-off
							5183536	4	4	4	Screw



ELECTRICAL SYSTEM COMPONENTS - (CONT'D)
 OPTIONAL FRONT LOWER LIGHT - N3MG

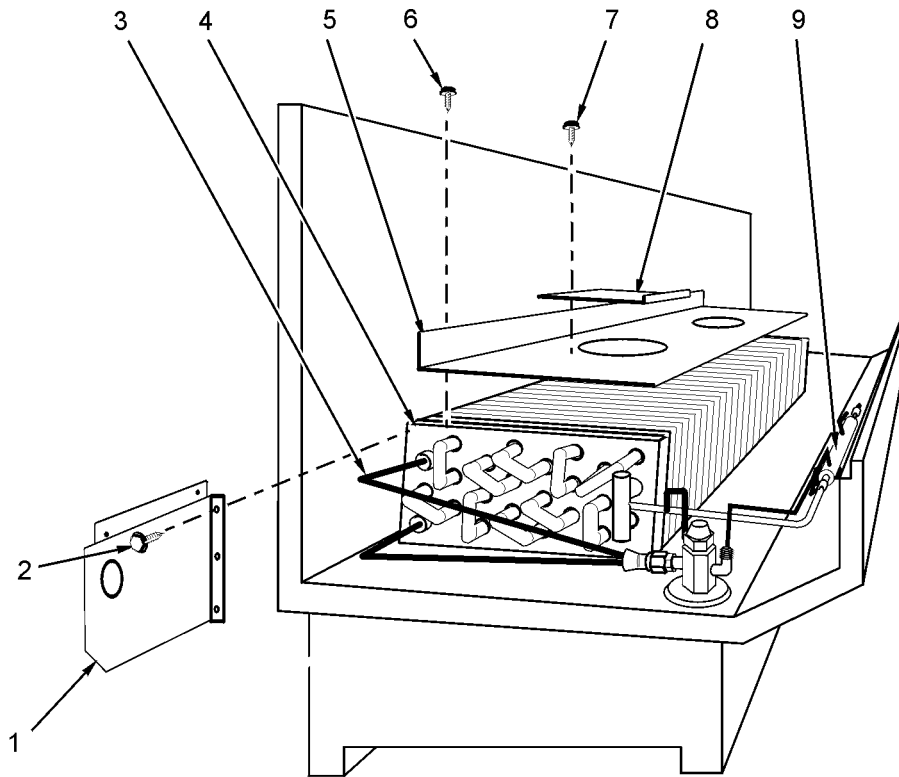


6', 8' and 12' Merchandiser

Item	Part No.	Quantity			Description	Item	Part No.	Quantity			Description
		6'	8'	12'				6'	8'	12'	
*	9600364	1	-	-	Lower Front Light Assy.		5100661	2	2	2	Nut
*	9600365	-	1	-	Lower Front Light Assy.		5101000	2	2	2	Lockwasher
*	9600366	-	-	1	Lower Front Light Assy.		5100379	2	2	2	Screw
*	9600361	1	-	-	Light Channel Assy.	2	5232279	4	4	6	Lampholder
*	9600362	-	1	-	Light Channel Assy.		5214107	4	4	6	Screw
*	9600363	-	-	1	Light Channel Assy.	3	5981627	4	4	6	Lampholder Cap
1	9030781	1	-	-	Light Channel	4	----	2	2	3	Lamp
	9030782	-	1	-	Light Channel	5	5233215	2	2	3	Base Cladding Support
	9030783	-	-	1	Light Channel		5183536	4	4	6	Screw
	5183536	2	2	3	Screw	6	9600358	1	-	-	Base Cladding
	5202215	2	2	2	Bushing		9600359	-	1	-	Base Cladding
	5991029	1	1	-	Ballast, 2-Lamp		9600360	-	-	1	Base Cladding
	5991030	-	-	1	Ballast, 3-Lamp	7	9022942	1	-	-	Light Shield Cladding
	5103997	2	2	2	Lockwasher, Shakeproof		9022943	-	1	-	Light Shield Cladding
							9022944	-	-	1	Light Shield Cladding



REFRIGERATION SYSTEM COMPONENTS
COIL ASSEMBLIES - N3MG - N3MGP

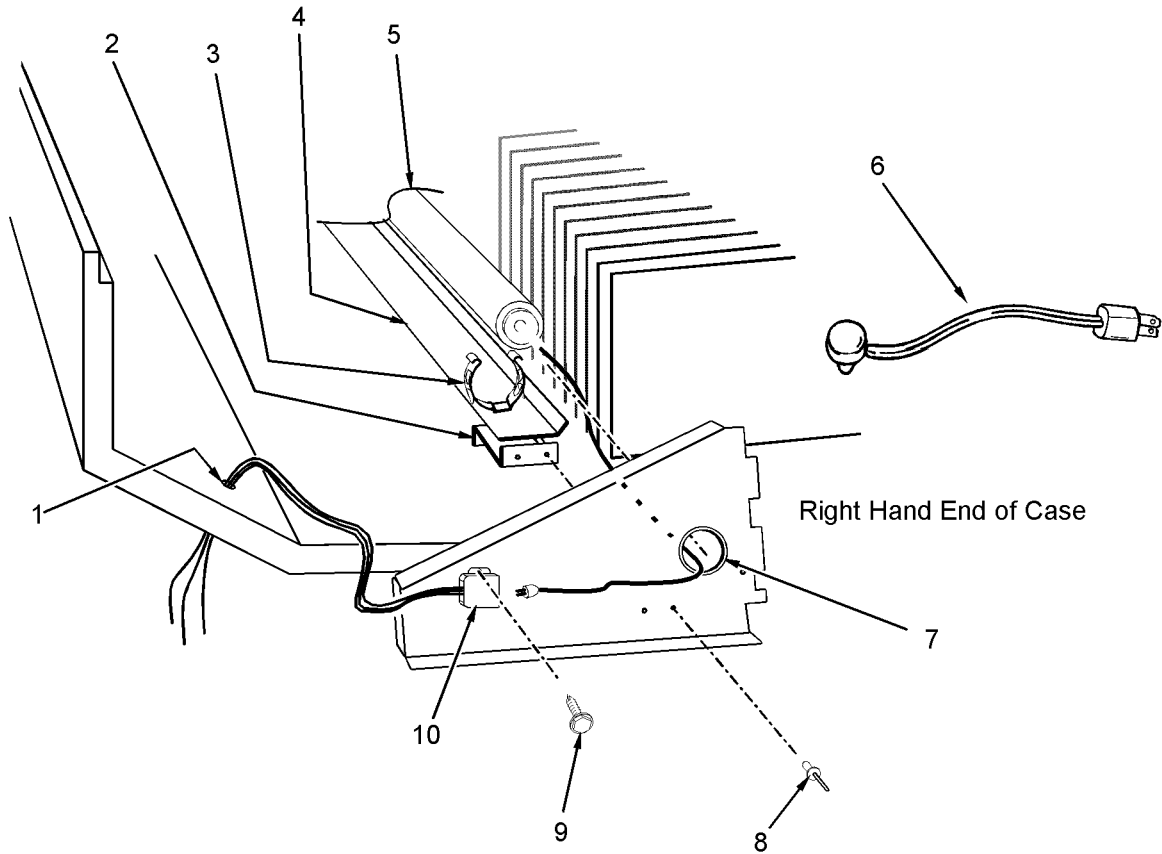


6', 8' and 12' Merchandiser

Item	Part No.	Quantity			Description	Item	Part No.	Quantity			Description
		6'	8'	12'				6'	8'	12'	
1	9042412	1	1	1	LH Rear Coil Close-off	5	9040055	1	-	-	Coil Cover Close-off
	9042411	1	1	1	RH Rear Coil Close-off		9040056	-	1	-	Coil Cover Close-off
	5211778	1	1	1	Snap Bushing		9040057	-	-	1	Coil Cover Close-off
2	5183536	6	6	6	Screw	6	5183536	4	6	8	Screw
3	5237395	1	-	-	Distributor & Lines Assy.	7	5183536	4	4	4	Screw
4	5237396	1	-	-	Coil Fitting Assy.	8	5205171	2	2	2	Inspection Cover
	5237397	-	1	-	Coil Fitting Assy.	9	5238310	1	1	1	Heat Exchanger Assy.
	5237398	-	-	1	Coil Fitting Assy.		5199097	2	2	2	Heat Exch. Support
	5229001	1	1	1	Coil Support Assy.		5214669	A/R	A/R	A/R	Silaprene
							5237267	1	1	1	Field Piping Support



REFRIGERATION SYSTEM COMPONENTS - (CONT'D)
ELECTRIC DEFROST - N3MG - N3MGP

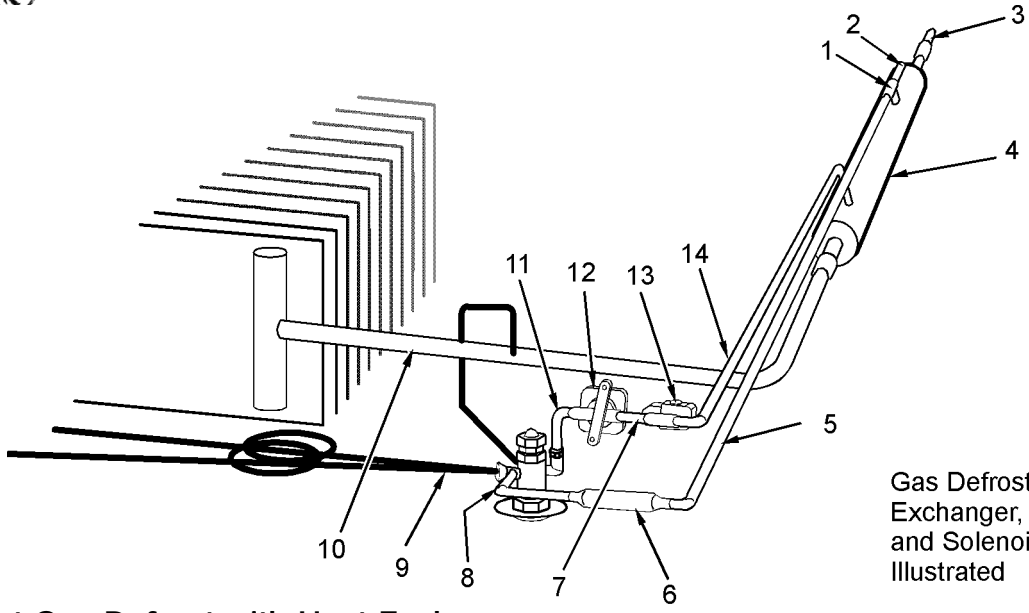


6', 8' and 12' Merchandiser

Item	Part No.	Quantity			Description	Item	Part No.	Quantity			Description
		6'	8'	12'				6'	8'	12'	
*	5944627	1	-	-	Defrost Heater Assy.	4	5944629	1	-	-	Defrost Heater Deflector
*	5200455	-	1	-	Defrost Heater Assy.		5128680	-	1	-	Defrost Heater Deflector
*	5200456	-	-	1	Defrost Heater Assy.		5128681	-	-	1	Defrost Heater Deflector
1	5123674	1	1	1	Strain Relief		5120746	2	2	2	Screw
*	5944626	1	-	-	Defrost Heater Support Assy.	5	5125153	1	-	-	Defrost Heater Tube
*	5028056	-	1	-	Defrost Heater Support Assy.		5124521	-	1	-	Defrost Heater Tube
*	5028057	-	-	1	Defrost Heater Support Assy.	6	5124522	-	-	1	Defrost Heater Tube
2	5623803	1	1	1	Defrost Heater Support	7	5125211	1	1	1	Klixon Thermostat
3	5104952	4	4	4	Clip		5145098	1	1	1	Mounting Clip, Klixon
	5104702	4	4	4	Rivet	8	5147584	1	1	1	Grommet
	5197811	4	4	4	Defrost Heater Stool	9	5104702	4	4	4	Rivet
						10	5205439	2	2	2	Screw
							5219930	1	1	1	Wiring



REFRIGERATION SYSTEM COMPONENTS - (CONT'D)
 OPTIONAL HOT GAS DEFROST - N3MG - N3MGP



Gas Defrost with Heat Exchanger, Hand Valve and Solenoid Valve Illustrated

Hot Gas Defrost with Heat Exchanger, Hand Valve and Solenoid Valve

Item	Part No.	Qty.	Description
*	5995273	1	Heat Exchanger Assy.
1	5197961	1	Tee Adapter
2	5619669	1	Tube, 1/2" OD
3	5959830	1	Tube, 5/8" OD
4	5607405	1	Heat Exchanger
5	5237974	1	Tube 1/2" OD
6	5200228	1	Check Valve, 1/2"
7	5626909	1	Stub, 3/8" x 1"
8	5237973	1	Tube, 1/2" OD
9	5237395	1	Distributor & Lines Assy.
10	5238439	1	Suction Line Assy.
11	5995272	1	Liquid Line Assy.
12	5620001	1	Hand Valve, 3/8"
13	5084991	1	Solenoid Valve, 3/8"
14	5238618	1	Tube, 3/8" (heat exchanger to hand valve)
	5224112	1	HG Fan Control Thermostat
	5224113	1	Fan Control Harness Jumper
	9023503	1	Klixon Thermostat

Hot Gas Defrost with Heat Exchanger and Hand Valve

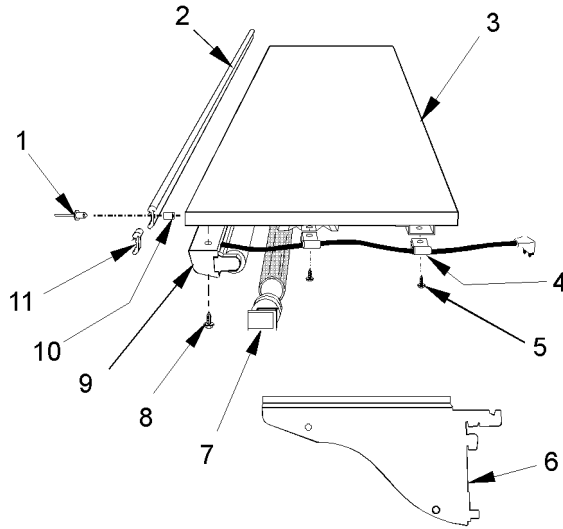
Item	Part No.	Qty.	Description
*	5237978	1	Heat Exchanger Assy.
1	5197961	1	Tee Adapter
2	5619669	1	Tube, 1/2" OD
3	5959830	1	Tube, 5/8" OD
4	5607405	1	Heat Exchanger
5	5237974	1	Tube 1/2" OD
6	5200228	1	Check Valve, 1/2"
8	5237973	1	Tube, 1/2" OD
9	5237395	1	Distributor & Lines Assy.
10	5238439	1	Suction Line Assy.
11	9034804	1	Liquid Line Assy.
12	5620001	1	Hand Valve, 3/8"
14	9034805	1	Tube, 3/8" (heat exchanger to hand valve)
	5224112	1	HG Fan Control Thermostat
	5224113	1	Fan Control Harness Jumper
	9023503	1	Klixon Thermostat

Hot Gas Defrost with Heat Exchanger

Item	Part No.	Qty.	Description
*	5237977	1	Heat Exchanger Assy.
1	5197961	1	Tee Adapter
2	5619669	1	Tube, 1/2" OD
3	5959830	1	Tube, 5/8" OD
4	5607405	1	Heat Exchanger
5	5237974	1	Tube 1/2" OD
6	5200228	1	Check Valve, 1/2"
8	5237973	1	Tube, 1/2" OD
9	5237395	1	Distributor & Lines Assy.
10	5238439	1	Suction Line Assy.
11	5238309	1	Liquid Line Assy.
	5224112	1	HG Fan Control Thermostat
	5224113	1	Fan Control Harness Jumper
	9023503	1	Klixon Thermostat



OPTIONAL CASE ACCESSORIES - (CONT'D)
 SHELF ASSEMBLIES - N3MG - N3MGP (6' CASES)
 Optional 12", 15" & 18" Shelves w/ T-8 Lights

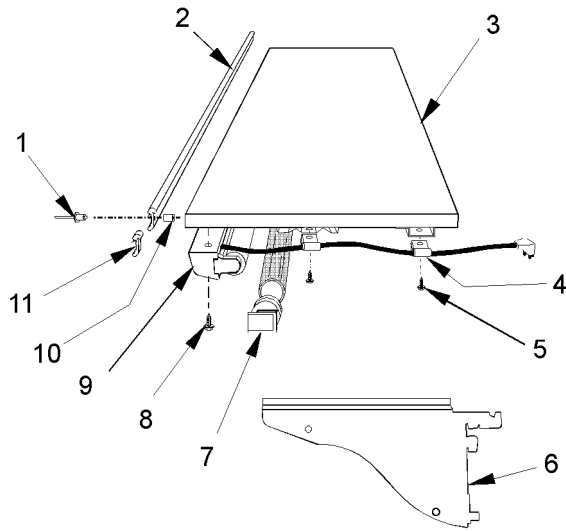


Item	Part No.	Qty.	Description
*	9027422	1	Lighted Shelf Bench Assy., 15" x 36" MB/SS
*	9027420	1	Lighted Shelf Bench Assy., 15" x 36" BRT/SS
*	9027404	1	Lighted Shelf Bench Assy., 15" x 36" BPC
*	9026439	1	Lighted Shelf Bench Assy., 18" x 36" PTD
*	9027423	1	Lighted Shelf Bench Assy., 18" x 36" MB/SS
*	9027421	1	Lighted Shelf Bench Assy., 18" x 36" BRT/SS
*	9027405	1	Lighted Shelf Bench Assy., 18" x 36" BPC
1	5144974	4	Rivet
2	5236909	1	Narrow Card Molding
	9029320	1	Narrow Card Molding, BPC
3	5237628	1	12" x 36" Shelf, PTD
	9027515	1	12" x 36" Shelf, MB/SS
	9027517	1	12" x 36" Shelf, BRT/SS
	5965234	1	15" x 36" Shelf, PTD
	5639253	1	15" x 36" Shelf, MB/SS
	5998464	1	15" x 36" Shelf, BRT/SS
	5932169	1	15" x 36" Shelf, BPC
	5965235	1	18" x 36" Shelf, PTD
	5639254	1	18" x 36" Shelf, MB/SS
	5998465	1	18" x 36" Shelf, BRT/SS
	5932170	1	18" x 36" Shelf, BPC
4	5100902	2	Clip
5	5619204	2	Screw
6	5088408	1	RH 12" Shelf Bracket, PTD
	5088409	1	LH 12" Shelf Bracket, PTD
	5185810	1	RH 15" Shelf Bracket, PTD
	5185811	1	LH 15" Shelf Bracket, PTD
	5088412	1	RH 18" Shelf Bracket, PTD
	5088413	1	LH 18" Shelf Bracket, PTD
7	5981627	2	Lampshield Caps
8	5183536	3	Screw
9	9026433	1	Light Channel Assy., PTD
	9027393	1	Light Channel Assy., MB/SS
	9027392	1	Light Channel Assy., BRT/SS
	9027906	1	Shelf Harness (furn. w/ wired lampholders)
	5217544	2	Lampholders (replacement only)
10	5127438	4	Spacer
11	5941919	1	Card Molding Joint Trim

Item	Part No.	Qty.	Description
*	9021476	1	Solid Lighted Shelf Assy., 12" x 36" PTD
*	9021472	1	Solid Lighted Shelf Assy., 12" x 36" MB/SS
*	9021469	1	Solid Lighted Shelf Assy., 12" x 36" BRT/SS
*	9020961	1	Solid Lighted Shelf Assy., 15" x 36" PTD
*	9021473	1	Solid Lighted Shelf Assy., 15" x 36" MB/SS
*	9021470	1	Solid Lighted Shelf Assy., 15" x 36" BRT/SS
*	9021467	1	Solid Lighted Shelf Assy., 15" x 36" BPC
*	9020962	1	Solid Lighted Shelf Assy., 18" x 36" PTD
*	9021474	1	Solid Lighted Shelf Assy., 18" x 36" MB/SS
*	9021471	1	Solid Lighted Shelf Assy., 18" x 36" BRT/SS
*	9021468	1	Solid Lighted Shelf Assy., 18" x 36" BPC
*	9027403	1	Lighted Shelf Bench Assy., 12" x 36" PTD
*	9022811	1	Lighted Shelf Bench Assy., 12" x 36" MB/SS
*	9022810	1	Lighted Shelf Bench Assy., 12" x 36" BRT/SS
*	9026438	1	Lighted Shelf Bench Assy., 15" x 36" PTD



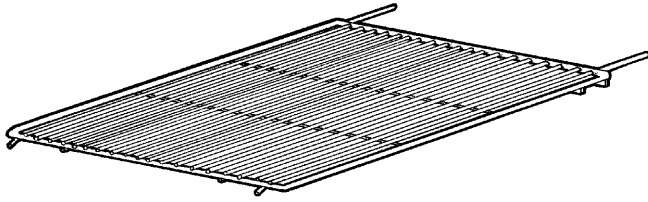
OPTIONAL CASE ACCESSORIES - (CONT'D)
 SHELF ASSEMBLIES - N3MG - N3MGP (8' & 12' CASES)
 Optional 12", 15" & 18" Shelves w/ T-8 Lights



Item	Part No.	Qty.	Description
*	9021475	1	Solid Lighted Shelf Assy., 12" x 48" PTD
*	9021273	1	Solid Lighted Shelf Assy., 12" x 48" MB/SS
*	9021270	1	Solid Lighted Shelf Assy., 12" x 48" BRT/SS
*	9027899	1	Solid Lighted Shelf Assy., 12" x 48" BPC
*	9020945	1	Solid Lighted Shelf Assy., 15" x 48" PTD
*	9021281	1	Solid Lighted Shelf Assy., 15" x 48" MB/SS
*	9021271	1	Solid Lighted Shelf Assy., 15" x 48" BRT/SS
*	9021256	1	Solid Lighted Shelf Assy., 15" x 48" BPC
*	9020946	1	Solid Lighted Shelf Assy., 18" x 48" PTD
*	9021296	1	Solid Lighted Shelf Assy., 18" x 48" MB/SS
*	9021272	1	Solid Lighted Shelf Assy., 18" x 48" BRT/SS
*	9021257	1	Solid Lighted Shelf Assy., 18" x 48" BPC
*	9022808	1	Lighted Shelf Bench Assy., 12" x 48" PTD
*	9022809	1	Lighted Shelf Bench Assy., 12" x 48" MB/SS
*	9027451	1	Lighted Shelf Bench Assy., 12" x 48" BRT/SS
*	9027353	1	Lighted Shelf Bench Assy., 12" x 48" BPC
1	5144974	4	Rivet
2	5236879	1	Narrow Card Molding
3	5220611	1	12" x 48" Shelf, PTD
	9027513	1	12" x 48" Shelf, MB/SS
	5996192	1	12" x 48" Shelf, BRT/SS
	9027707	1	12" x 48" Shelf, BPC
	5220612	1	15" x 48" Shelf, PTD
	5950571	1	15" x 48" Shelf, MB/SS
	5944622	1	15" x 48" Shelf, BRT/SS
	5643509	1	15" x 48" Shelf, BPC
	5220613	1	18" x 48" Shelf, PTD
	5950572	1	18" x 48" Shelf, MB/SS
	5944623	1	18" x 48" Shelf, BRT/SS
	5643510	1	18" x 48" Shelf, BPC
4	5100902	2	Clip
5	5619204	2	Screw
6	5088408	1	RH 12" Shelf Bracket, PTD
	5088409	1	LH 12" Shelf Bracket, PTD
	5185810	1	RH 15" Shelf Bracket, PTD
	5185811	1	LH 15" Shelf Bracket, PTD
	5088412	1	RH 18" Shelf Bracket, PTD
	5088413	1	LH 18" Shelf Bracket, PTD
7	5981627	2	Lampshield Caps
8	5183536	3	Screw
9	9026104	1	Light Channel Assy., PTD
	9027391	1	Light Channel Assy., MB/SS
	9027390	1	Light Channel Assy., BRT/SS
	9027906	1	Shelf Harness (furn. w/ wired lampholders)
	5217544	2	Lampholders (replacement only)
10	5127438	4	Spacer
11	5941919	1	Card Molding Joint Trim

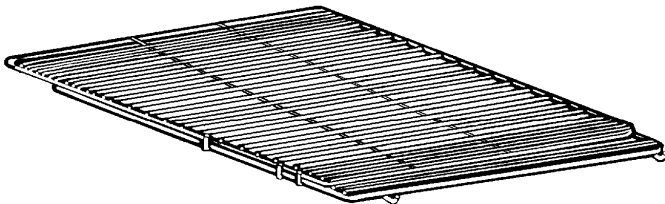


OPTIONAL CASE ACCESSORIES - (CONT'D) SCREENS, FENCES AND STEP TRAYS



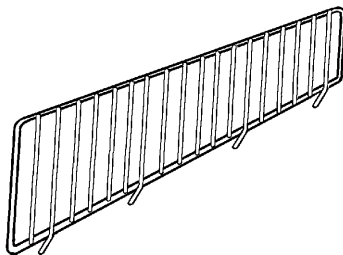
Flat Adjustable Screens

Item	Part No.	Quantity		Description
		8'	12'	
-	5238290	4	6	Adjustable Screen, WPC
-	5998928	4	6	Adjustable Screen, BPC



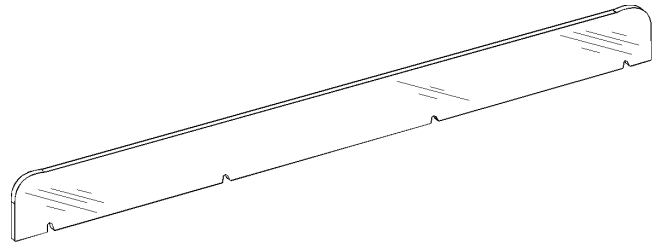
Optional Telescoping Screens

Item	Part No.	Qty.	Description
-	5946888	4	6 Telescopic Screen, WPC
-	5999842	4	6 Telescopic Screen, BPC



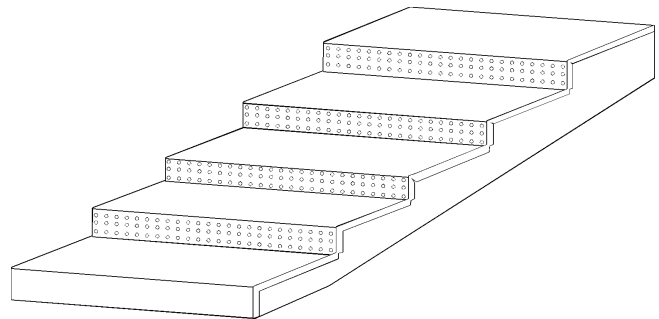
Optional Wire Shelf Fences

Item	Part No.	Qty.	Description
-	5643028	1	Wire Shelf Fence, BPC (3" x 48")
-	5932154	1	Wire Shelf Fence, BPC (3" x 36")



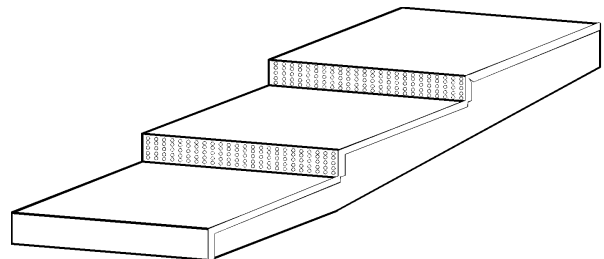
Optional Plexiglas Shelf Fences

Item	Part No.	Qty.	Description
-	5638900	1	Plexiglas Shelf Fence (1/4" x 2" x 35 3/4")
-	5998978	1	Plexiglas Shelf Fence (1/4" x 3" x 35 3/4")
-	5638900	1	Plexiglas Shelf Fence (1/4" x 3" x 47 3/4")
-	5998978	1	Plexiglas Shelf Fence (1/4" x 3" x 47 3/4")



Optional 5-Step Trays

Item	Part No.	Qty.	Description
-	5933456	1	5-Step Tray, BRT/SS (33 9/16" x 23 15/16")
-	9600666	1	5-Step Tray, MB/SS (33 9/16" x 23 15/16")

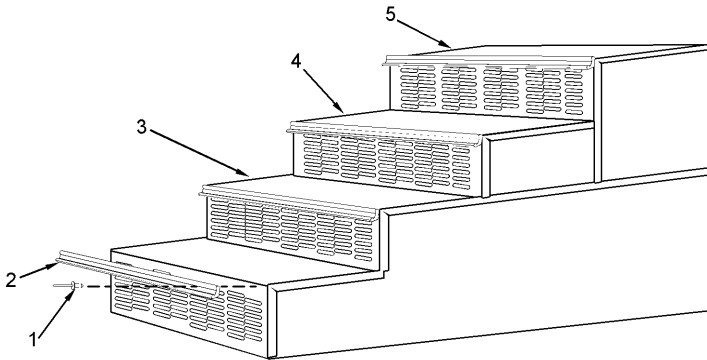


Optional 3-Step Trays

Item	Part No.	Qty.	Description
-	5993892	1	3-Step Tray, BRT/SS (15 9/16" x 33 9/16")

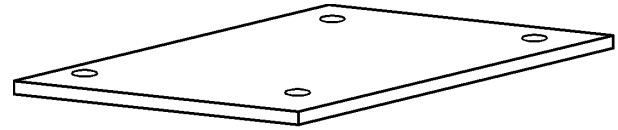


OPTIONAL CASE ACCESSORIES - (CONT'D)
STEP TRAYS, BOTTOM TRAYS, ICE TRAY AND SCREEN COVER



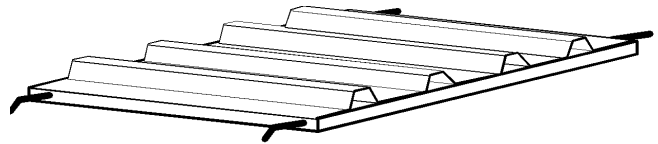
Optional Modular Step Trays

Item	Part No.	Qty.	Description
*	5248345	1	Modular Step Tray Assy.
1	5144974	12	Rivet
2	5248341	4	Card Molding
3	5248342	1	Lower Modular Step
4	5248343	1	Middle Modular Step
5	5248344	1	Upper Modular Step
	5107190	6'	Sponge Tape
*	5248395	1	Modular Step Tray Assy. w/ 15° Front
1	5144974	12	Rivet
2	5248341	4	Card Molding
3	5248393	1	Lower Modular Step
4	5248394	1	Middle Modular Step
5	5248344	1	Upper Modular Step
	5107190	6'	Sponge Tape



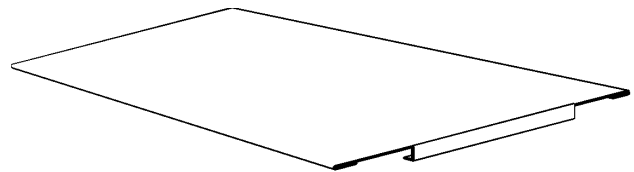
Optional Bottom Trays

Item	Part No.	Qty.	Description
-	5237521	1	Bottom Tray, MB/SS (23 15/16" x 33 5/8")
-	5999417	1	Bottom Tray, BRT/SS (23 15/16" x 33 5/8")
-	9601001	1	Bottom Tray, PTD (23 15/16" x 33 5/8")



Optional Ribbed Ice Tray

Item	Part No.	Qty.	Description
-	5947183	1	Ribbed Ice Tray, BRT/SS (30" x 26 13/16")

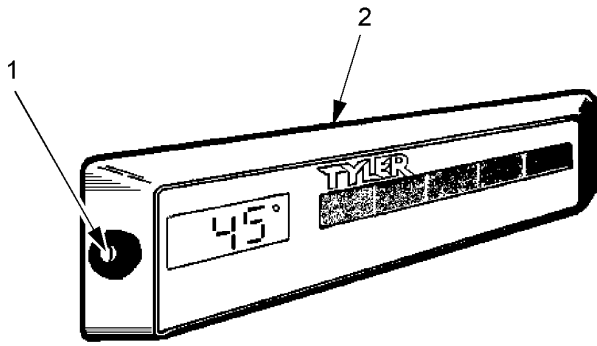


Optional Screen Cover

Item	Part No.	Qty.	Description
-	5967834	1	Screen Cover, BRT/SS (for screen 5238290)

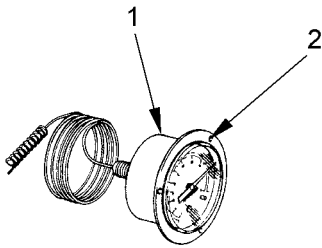


OPTIONAL CASE ACCESSORIES - (CONT'D) THERMOMETERS



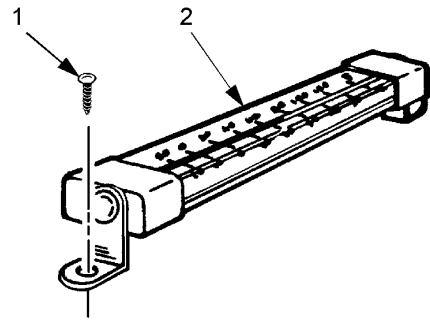
Digital Solar Thermometer

Item	Part No.	Qty.	Description
*	5230912	1	Digital Thermometer Assy., F°
*	5996203	1	Digital Thermometer Assy., C°
1	5230884	2	Screw
2	5239500	1	Digital Thermometer, F°
	5239501	1	Digital Thermometer, C°



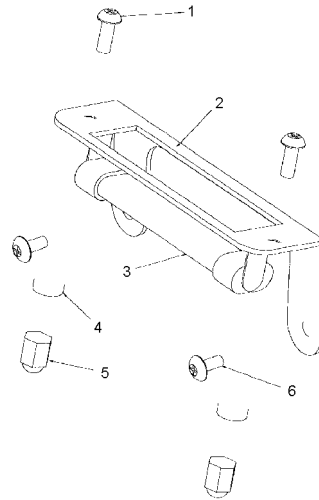
2" Dial Thermometers, Rear Duct

Item	Part No.	Qty.	Description
*	5237625	1	Thermometer Assy
1	5204004	1	2" Dial Thermometer
2	5199134	3	Screw
*	9035534	1	Thermometer Assy., BLK
1	9035533	1	2" Dial Thermometer, BLK
2	5199134	3	Screw



Thermometer, Discharge Air

Item	Part No.	Qty.	Description
*	5949287	1	Thermometer Assembly
1	5048626	2	Screw
2	5967100	1	Thermometer



Standard Case Thermometer

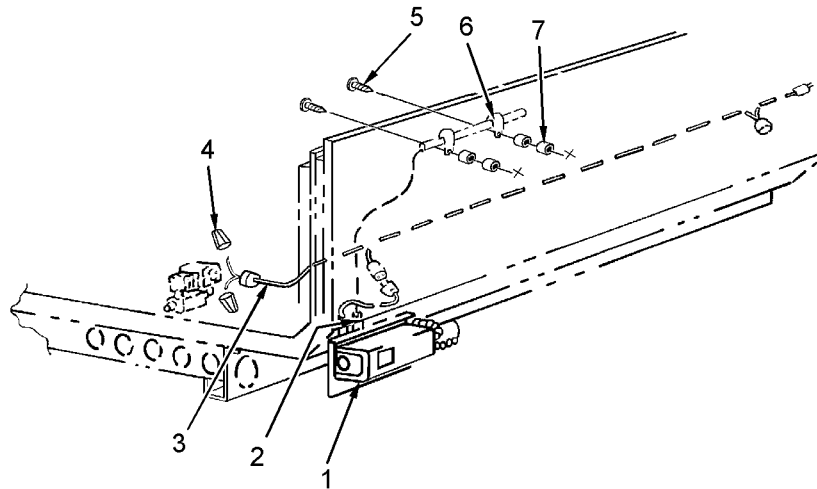
Item	Part No.	Qty.	Description
*	9044991	1	Thermometer Assembly
1	5208265	2	Screw
2	9044990	1	Thermometer Bracket
3	5967100	1	Pencil Thermometer
4	5103997	2	Lock Washer
5	5223244	2	Acorn Nut
6	5102643	2	Screw



OPTIONAL CASE ACCESSORIES - (CONT'D)

THERMOSTATS - N3MG

Optional Thermostat Wired to Solenoid



Electric Defrost Option

Hot Gas Defrost Option

Item	Part No.	Qty.	Description	Item	Part No.	Qty.	Description
*	5216236	1	Thermostat Assy. Wired to Solenoid	*	9035363	1	Thermostat Assy. Wired to Solenoid
1	5218080	1	Thermostat Assy.	1	5215171	1	Thermostat Assy.
	5200442	1	Mounting Bracket		5200442	1	Mounting Bracket
	5120943	7	Screw		5183536	11	Screw
2	5198495	1	Plastic Pipe	2	5198495	1	Plastic Pipe
	5149724	1	Sealer		5149724	1	Sealer
3	5201359	1	Solenoid Harness	3	5215136	1	Solenoid Harness
4	5145679	2	Wire Nut	4	5199447	1	"Y" Harness
5	5053985	2	Screw	4	5145679	2	Wire Nut
6	5106713	2	Tubing Clip	5	5053985	2	Screw
7	5127438	4	Nylon Spacer	6	5106713	5	Tubing Clip
				7	5127438	7	Nylon Spacer