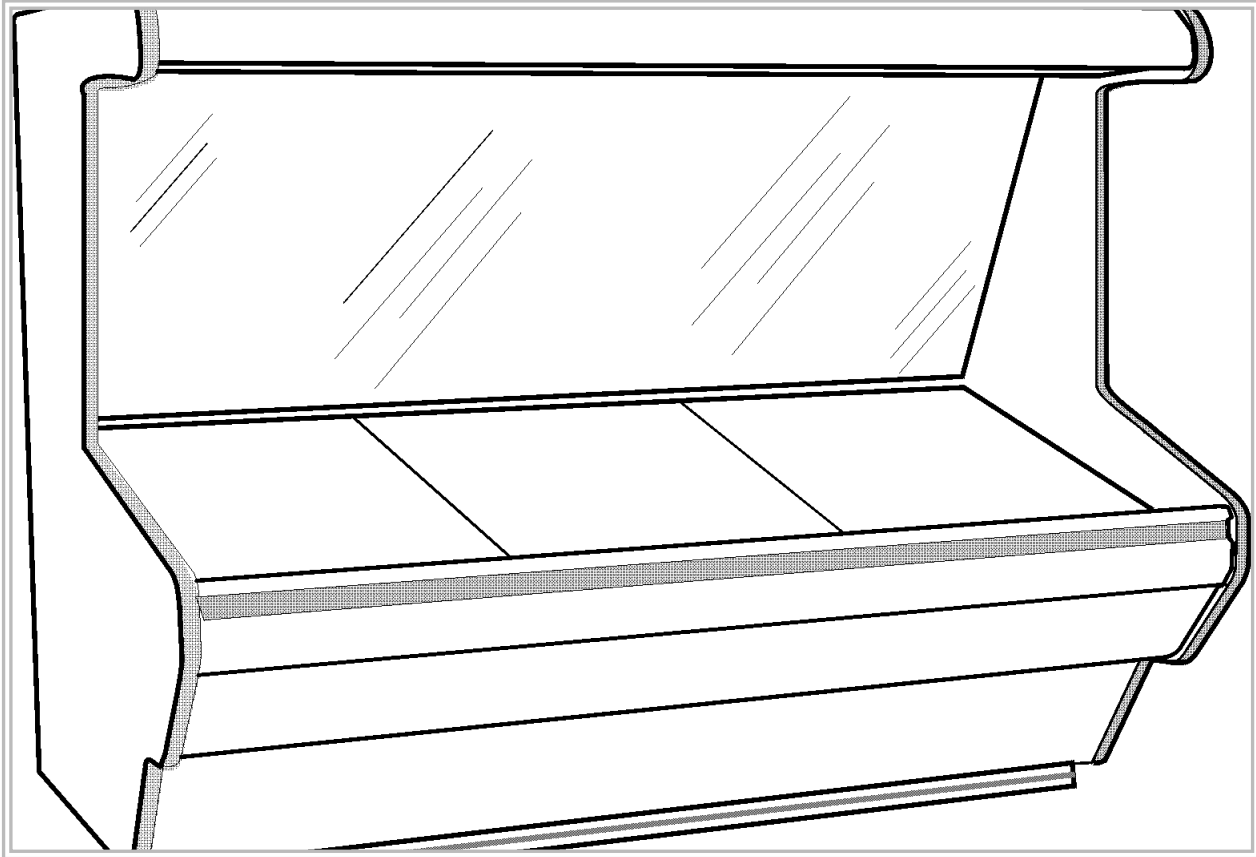


# Replacement Parts <sup>series</sup> Advantage



## Waterfall Produce Merchandiser

Production began October 27, 2000

### N3PL/N3PH

9000606	N3PL8	Med-Temp	8' Waterfall Low Front (24") Produce Merchandiser
9000607	N3PL12	Med-Temp	12' Waterfall Low Front (24") Produce Merchandiser
9000608	N3PH8	Med-Temp	8' Waterfall High Front (30") Produce Merchandiser
9000609	N3PH12	Med-Temp	12' Waterfall High Front (30") Produce Merchandiser



Issue date: OCTOBER 2000

Replaces issue:

Part number: 9037188

Revision:

Tyler Refrigeration Corporation Niles, MI 49120  
Parts information subject to change without notice  
Printed in U.S.A.



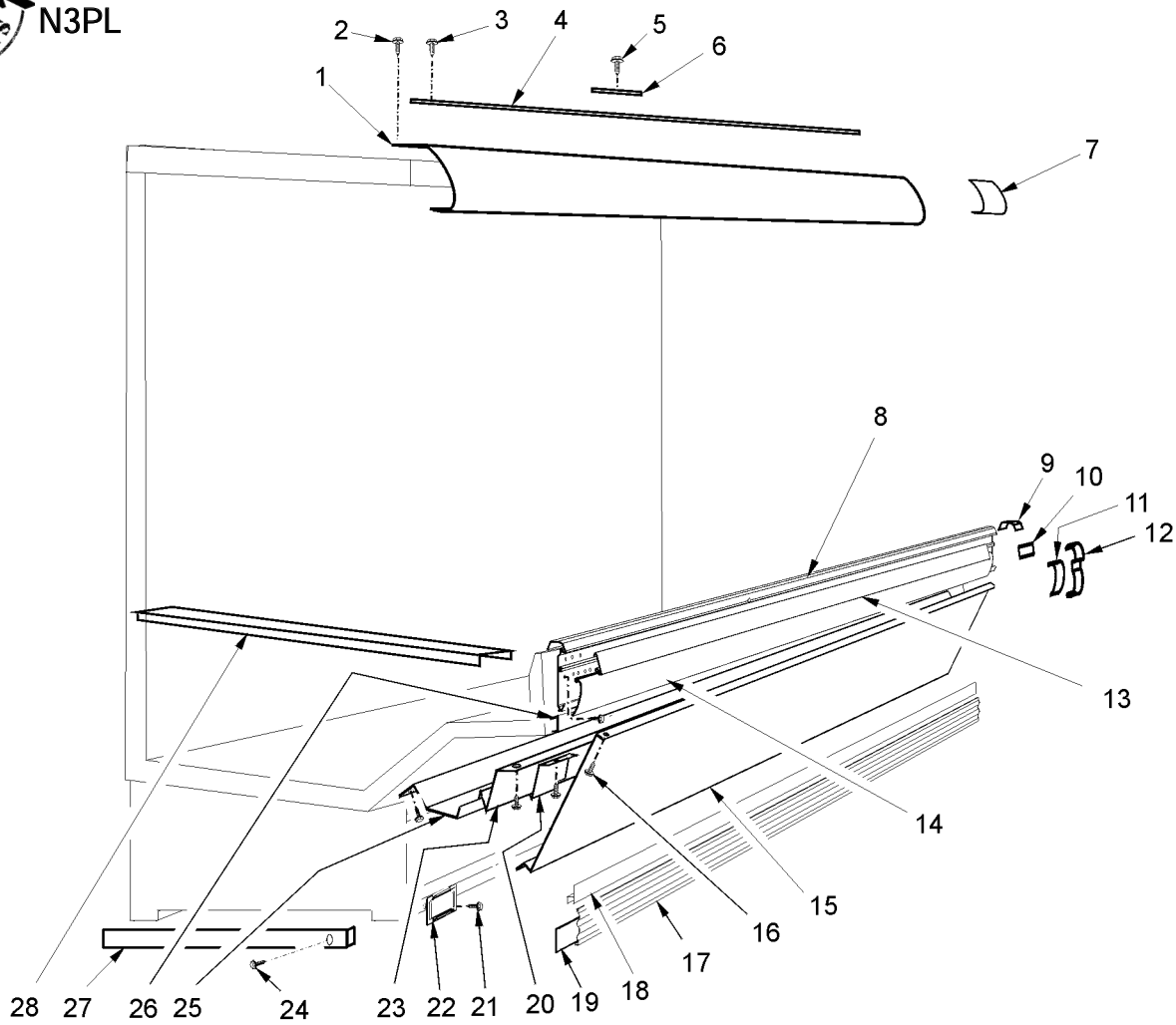
# CONTENTS

	<u>Page</u>
Cladding, Covers and Trims .....	C1 - C6
<b>Structural Components</b>	
Top Shelf Assemblies .....	S1, S2
Canopy Light Assembly .....	S2
Front Shelf Assemblies (N3PL) .....	S3
Front Shelf Assemblies (N3PH) .....	S4
Ducts and Z-Bars (N3PL) .....	S5
Ducts and Z-Bars (N3PH) .....	S6
Standard and Optional Mirrors .....	S7
Patch Ends, Partitions and Dividers	
Solid Patch Ends .....	S8 - S12
<b>Electrical System Components</b>	
Wiring Harnesses	
Wiring and Components .....	E1
Fan Systems .....	E2
Optional Canopy Light Assemblies .....	E3, E4
<b>Refrigeration System Components</b>	
Coil Assemblies .....	R1
<b>Optional Case Accessories</b>	
Shelf Assemblies .....	A1, A3
Shelf Light Assembly .....	A3
Water Station Components .....	A4
Screens and Dividers .....	A5
Fences, Trays, Canopy Pole Scale and Service Bell .....	A6
Thermometers .....	A7
Thermostats .....	A8, A9



# CLADDING, COVERS AND TRIMS

N3PL



8' and 12' Merchandiser

Item	Part No.	Quantity		Description	Item	Part No.	Quantity		Description
		8'	12'				8'	12'	
1	9025223	1	-	Canopy Hood, Ptd.	17	+	1	1	Kickplate
	9025224	-	1	Canopy Hood, Ptd.	18	+	1	1	Kickplate Extension [Option]
2	5183536	4	6	Screw	19	9041790	1	1	Kickplate Backer
3	5183536	3	5	Screw	20	9026099	1	1	Raceway Access Cover
4	9026069	1	-	Hood Close-off	5183536		1	1	Screw
	9026070	-	1	Hood Close-off	21	5183536	6	8	Screw
5	5183536	8	8	Screw (4 per cover)	22	9041329	3	4	Kickplate Support
6	9026103	2	2	End Cover	23	9026097	1	-	Raceway Cover
7	9025983	1	1	Canopy Hood Backer, Ptd.	9026098		-	1	Raceway Cover
8	+	1	1	Bumper Retainer	5183536		5	7	Screw
9	9025316	1	1	Bumper Rtnr. Backer, Ptd.	24	5183536	4	6	Screw
10	9025982	1	1	Color Band Backer, Ptd.	25	9026101	1	-	Raceway
11	+	1	1	Bumper Backer	9026102		-	1	Raceway
12	+	1	1	Bumper End Trim	5183536		4	5	Screw
13	9023798	1	-	Color Band, Ptd.	26	9026100	1	-	Cladding Support
	9023800	-	1	Color Band, Ptd.	9026113		-	1	Cladding Support
14	+	1	1	Bumper	27	9022459	1	1	LH End Base Close-off
15	9025477	1	-	LWR Front Cladding, Ptd.	9022466		1	1	RH End Base Close-off
	9025478	-	1	LWR Front Cladding, Ptd.	28	9025959	1	1	Horizontal Joint Trim
16	5183536	4	6	Screw					

+ See pages C2 thru C3 for parts breakdown per color.



# CLADDING, COVERS AND TRIMS - (CONT'D)

N3PL - 8'

**Bumper Retainer [Item 8]  
Without Partition  
(96.062"):**

Part No.	Color
9025421	Pearly Gates
9025491	White
9025504	Bone White
9025517	Misty Gray
9025530	Pearl
9025543	Oatmeal
9025557	Soft Sand
9025570	Chromium
9025583	Cool Gray
9025596	Oyster
9025609	Black
9028935	Steel Gray
9031792	Chocolate
9031819	Mocha
9031873	Stone

**With Partition  
(97.062"):**

Part No.
9301760
9026949
9026950
9026951
9026952
9026953
9026954
9026955
9026956
9026957
9026958
9028937
9031794
9031821
9031875

**Bumper End Trim [Item 12]**

Part No.	Color
9027220	White
9027221	Bone White
9027222	Misty Gray
9027223	Pearl
9027224	Oatmeal
9027225	Soft Sand
9027226	Chromium
9027227	Cool Gray
9027228	Oyster
9027229	Black
9028882	Steel Gray
9029093	Pearly Gates
9034333	Chocolate
9034334	Mocha
9034335	Stone
9023195	RH Bmpr Pusher Brkt
9028082	LH Bmpr Pusher Brkt
5053985	Screw (2 per brkt)

**Bumper Backer [Item 11]**

Part No.	Color
9025023	White
9025028	Bone White
9025035	Misty Gray
9025038	Pearl
9025041	Oatmeal
9025079	Pearly Gates
9025253	Soft Sand
9025258	Chromium
9025265	Cool Gray
9025268	Oyster
9025271	Black
9028883	Steel Gray
9031884	Chocolate
9031885	Mocha
9031886	Stone

**Bumper [Item 14]  
Without Partition  
(96.062"):**

Part No.	Color
9025036	White
9025067	Pearly Gates
9025266	Bone White
9025287	Misty Gray
9025308	Pearl
9025329	Oatmeal
9025350	Soft Sand
9025371	Chromium
9025392	Cool Gray
9025413	Oyster
9025434	Black
9028905	Steel Gray
9031687	Chocolate
9031724	Mocha
9031761	Stone

**With Partition  
(97.062"):**

Part No.
9027179
9301745
9027180
9027181
9027182
9027183
9027184
9027185
9027186
9027187
9027188
9028907
9031689
9031726
9031763

**Optional Kickplate Extension [Item 18]**

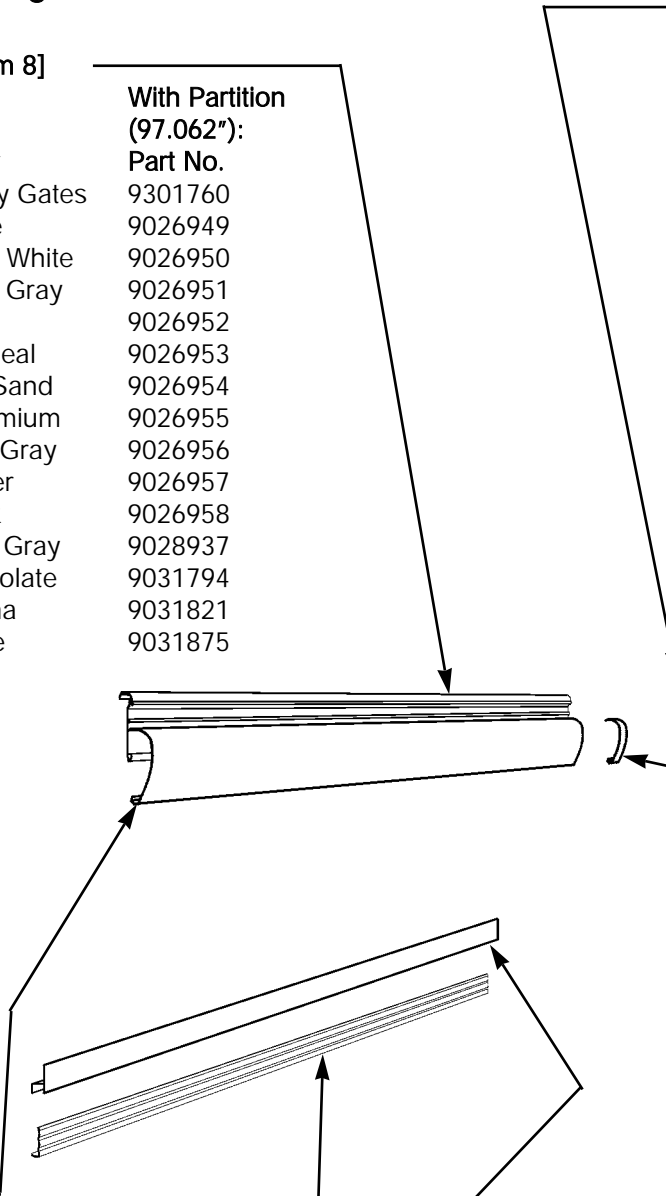
Without Partition (96.063")		With Partition (97.063")
Part No.	Color	Part No.
9042868	Cool Gray	9042876
9042869	Black	9042877
9042870	Pearl	9042878
9042871	Steel Gray	9042879

**Kickplate [Item 17]  
Without Partition  
(96.063")**

Part No.	Color
9041690	Cool Gray
9041691	Black
9041692	Pearl
9041694	Steel Gray

**With Partition  
(97.063")**

Part No.
9041700
9041701
9041702
9041704





# CLADDING, COVERS AND TRIMS - (CONT'D)

N3PL - 12'

**Bumper Retainer [Item 8]**  
Without Partition  
(144.062"):

Part No.	Color
9025426	Pearly Gates
9025493	White
9025506	Bone White
9025519	Misty Gray
9025532	Pearl
9025545	Oatmeal
9025559	Soft Sand
9025572	Chromium
9025585	Cool Gray
9025598	Oyster
9025611	Black
9028940	Steel Gray
9031797	Chocolate
9031824	Mocha
9031878	Stone

**With Partition**  
(145.062"):

Part No.
9301761
9026969
9026970
9026971
9026972
9026973
9026974
9026975
9026976
9026977
9026978
9028942
9031799
9031826
9031880

**Bumper End Trim [Item 12]**

Part No.	Color
9027220	White
9027221	Bone White
9027222	Misty Gray
9027223	Pearl
9027224	Oatmeal
9027225	Soft Sand
9027226	Chromium
9027227	Cool Gray
9027228	Oyster
9027229	Black
9028882	Steel Gray
9029093	Pearly Gates
9034333	Chocolate
9034334	Mocha
9034335	Stone
9023195	RH Bmpr Pusher Brkt
9028082	LH Bmpr Pusher Brkt
5053985	Screw (2 per brkt)

**Bumper Backer [Item 11]**

Part No.	Color
9025023	White
9025028	Bone White
9025035	Misty Gray
9025038	Pearl
9025041	Oatmeal
9025079	Pearly Gates
9025253	Soft Sand
9025258	Chromium
9025265	Cool Gray
9025268	Oyster
9025271	Black
9028883	Steel Gray
9031884	Chocolate
9031885	Mocha
9031886	Stone

**Bumper [Item 14]**  
Without Partition  
(144.062"):

Part No.	Color
9025039	White
9025068	Pearly Gates
9025269	Bone White
9025290	Misty Gray
9025311	Pearl
9025332	Oatmeal
9025353	Soft Sand
9025374	Chromium
9025395	Cool Gray
9025416	Oyster
9025437	Black
9028912	Steel Gray
9031695	Chocolate
9031732	Mocha
9031796	Stone

**With Partition**  
(145.062"):

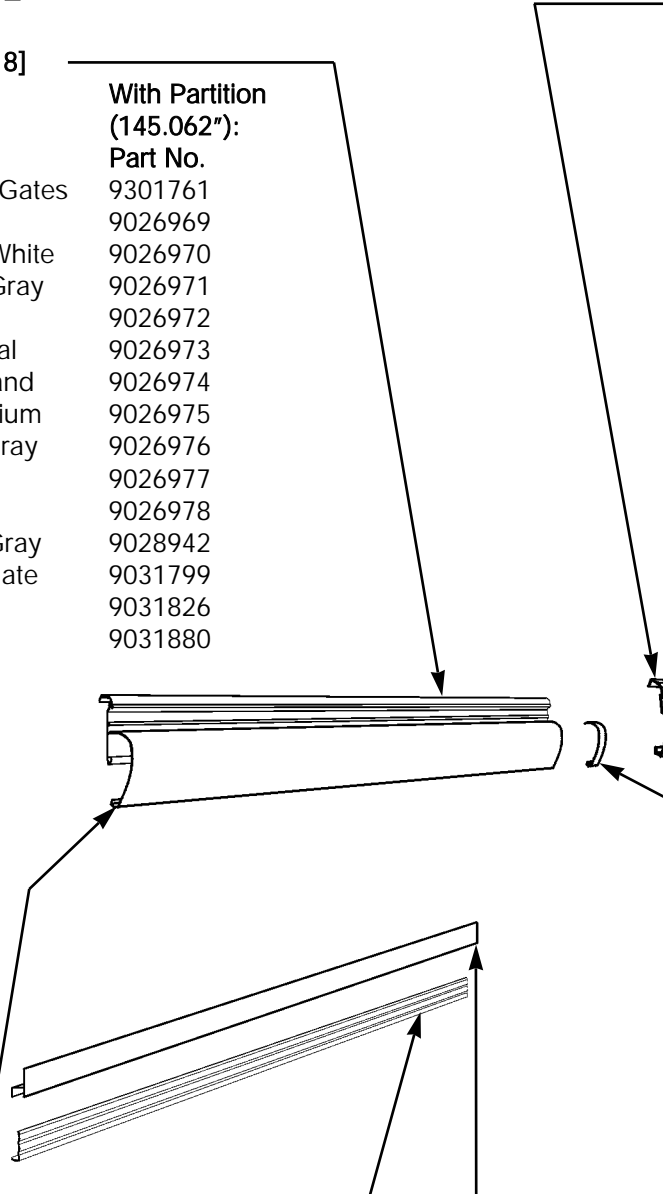
Part No.
9027199
9301747
9027200
9027201
9027202
9027203
9027204
9027205
9027206
9027207
9027208
9028914
9031697
9031734
9031771

**Optional Kickplate Extension [Item 18]**

Without Partition (144.063")		With Partition (145.063")	
Part No.	Color	Part No.	Color
9042896	Cool Gray	9042904	
9042897	Black	9042905	
9042898	Pearl	9042906	
9042899	Steel Gray	9042907	

**Kickplate [Item 17]**

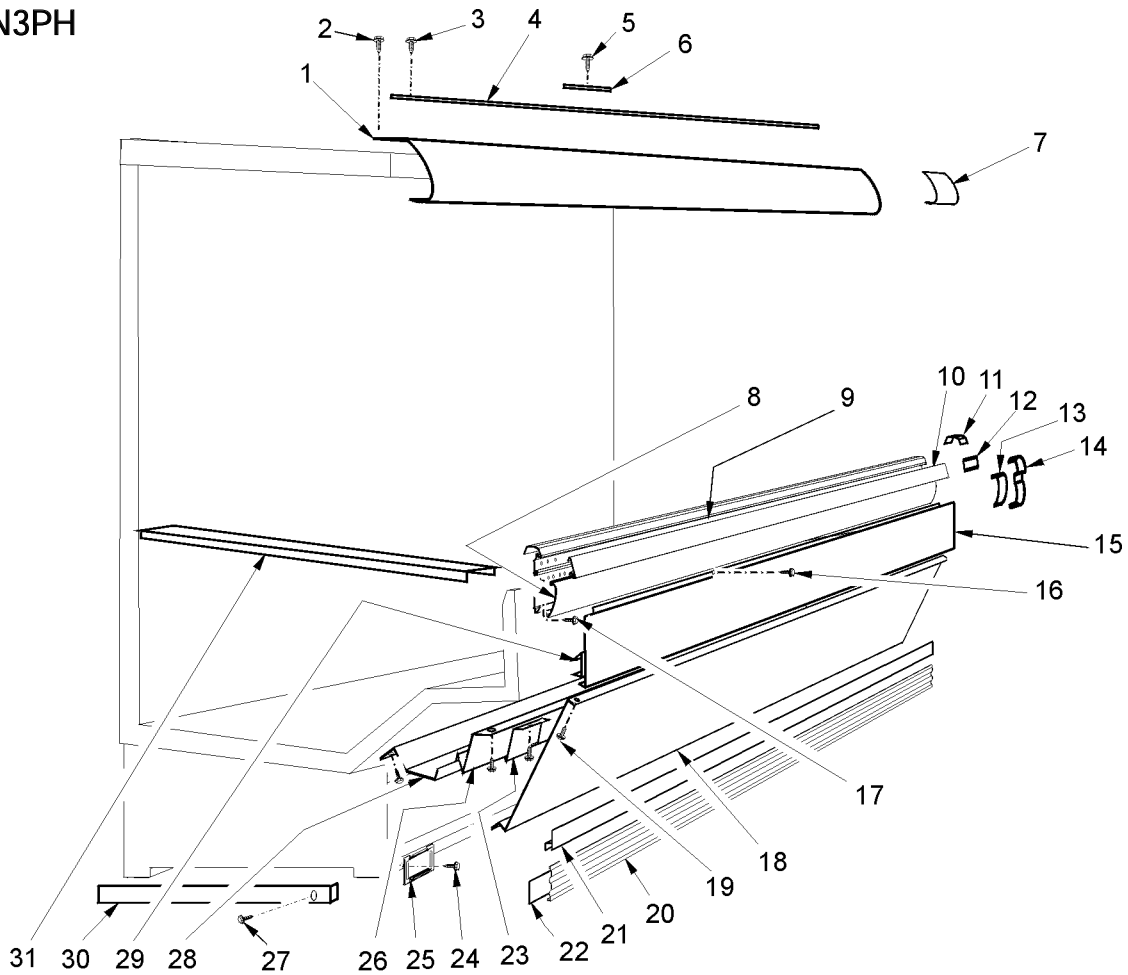
Without Partition (144.063")		With Partition (145.063")	
Part No.	Color	Part No.	Color
9041730	Cool Gray	9041740	
9041731	Black	9041741	
9041732	Pearl	9041742	
9041734	Steel Gray	9041744	





# CLADDING, COVERS AND TRIMS - (CONT'D)

N3PH



8' and 12' Merchandiser

Item	Part No.	Quantity		Description	Item	Part No.	Quantity		Description
		8'	12'				8'	12'	
1	9025223	1	-	Canopy Hood, Ptd.	19	5183536	4	6	Screw
	9025224	-	1	Canopy Hood, Ptd.	20	+	1	1	Kickplate
2	5183536	4	6	Screw	21	+	1	1	Kickplate Extension [Optiona]
3	5183536	3	5	Screw	22	9041790	1	1	Kickplate Backer
4	9026069	1	-	Hood Close-off	23	9026099	1	1	Raceway Access Cover
	9026070	-	1	Hood Close-off		5183536	1	1	Screw
5	5183536	8	8	Screw (4 per cover)	24	5183536	6	8	Screw
6	9026103	2	2	End Cover	25	9041329	3	4	Kickplate Support
7	9025983	1	1	Canopy Hood Backer, Ptd.	26	9026097	1	-	Raceway Cover
8	+	1	1	Bumper		9026098	-	1	Raceway Cover
9	+	1	1	Bumper Retainer		5183536	5	7	Screw
10	9023798	1	-	Color Band, Ptd.	27	5183536	4	6	Screw
	9023800	-	1	Color Band, Ptd.	28	9026101	1	-	Raceway
11	9025316	1	1	Bumper Rtnr. Backer, Ptd.		9026102	-	1	Raceway
12	9025982	1	1	Color Band Backer, Ptd.		5183536	4	5	Screw
13	+	1	1	Bumper Backer	29	9026100	1	-	Cladding Support
14	+	1	1	Bumper End Trim		9026113	-	1	Cladding Support
15	9025479	1	-	UPR Front Cladding, Ptd.	30	9022459	1	1	LH End Base Close-off
	9025480	-	1	UPR Front Cladding, Ptd.		9022466	1	1	RH End Base Close-off
16	5048626	6	6	Rivet	31	9025959	1	1	Horizontal Joint Trim
17	9025833	24	36	Shoulder Screw					
18	9025477	1	1	LWR Front Cladding, Ptd.					

+ See pages C5 thru C6 for parts breakdown per color.



# CLADDING, COVERS AND TRIMS - (CONT'D)

N3PH - 8'

**Bumper Retainer [Item 9]  
Without Partition  
(96.062"):**

Part No.	Color
9025421	Pearly Gates
9025491	White
9025504	Bone White
9025517	Misty Gray
9025530	Pearl
9025543	Oatmeal
9025557	Soft Sand
9025570	Chromium
9025583	Cool Gray
9025596	Oyster
9025609	Black
9028935	Steel Gray
9031792	Chocolate
9031819	Mocha
9031873	Stone

**With Partition  
(97.062"):**

Part No.
9301760
9026949
9026950
9026951
9026952
9026953
9026954
9026955
9026956
9026957
9026958
9028937
9031794
9031821
9031875

**Bumper End Trim [Item 14]**

Part No.	Color
9027220	White
9027221	Bone White
9027222	Misty Gray
9027223	Pearl
9027224	Oatmeal
9027225	Soft Sand
9027226	Chromium
9027227	Cool Gray
9027228	Oyster
9027229	Black
9028882	Steel Gray
9029093	Pearly Gates
9034333	Chocolate
9034334	Mocha
9034335	Stone
9023195	RH Bmpr Pusher Brkt
9028082	LH Bmpr Pusher Brkt
5053985	Screw (2 per brkt)

**Bumper Backer [Item 13]**

Part No.	Color
9025023	White
9025028	Bone White
9025035	Misty Gray
9025038	Pearl
9025041	Oatmeal
9025079	Pearly Gates
9025253	Soft Sand
9025258	Chromium
9025265	Cool Gray
9025268	Oyster
9025271	Black
9028883	Steel Gray
9031884	Chocolate
9031885	Mocha
9031886	Stone

**Bumper [Item 8]  
Without Partition  
(96.062"):**

Part No.	Color
9025036	White
9025067	Pearly Gates
9025266	Bone White
9025287	Misty Gray
9025308	Pearl
9025329	Oatmeal
9025350	Soft Sand
9025371	Chromium
9025392	Cool Gray
9025413	Oyster
9025434	Black
9028905	Steel Gray
9031687	Chocolate
9031724	Mocha
9031761	Stone

**With Partition  
(97.062"):**

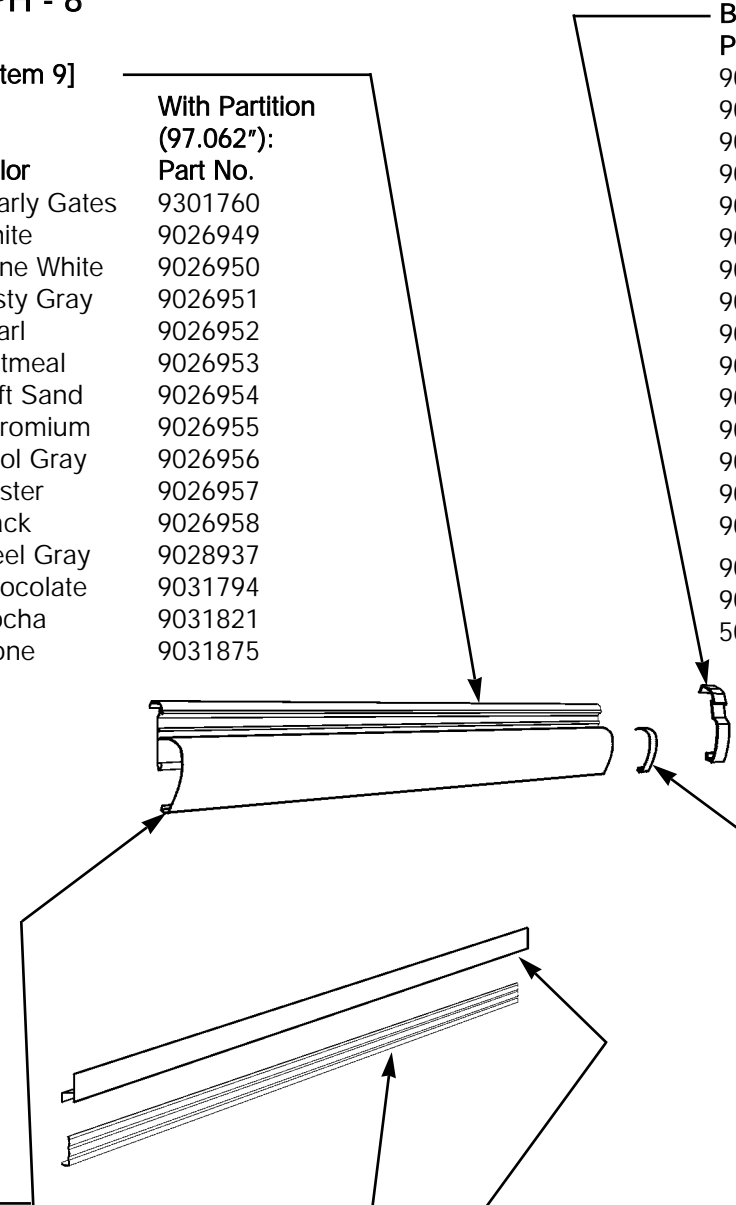
Part No.
9027179
9301745
9027180
9027181
9027182
9027183
9027184
9027185
9027186
9027187
9027188
9028907
9031689
9031726
9031763

**Optional Kickplate Extension [Item 21]**

Without Partition (96.063")		With Partition (97.063")	
Part No.	Color	Part No.	Color
9042868	Cool Gray	9042876	
9042869	Black	9042877	
9042870	Pearl	9042878	
9042871	Steel Gray	9042879	

**Kickplate [Item 20]**

Without Partition (96.063")		With Partition (97.063")	
Part No.	Color	Part No.	Color
9041690	Cool Gray	9041700	
9041691	Black	9041701	
9041692	Pearl	9041702	
9041694	Steel Gray	9041704	





# CLADDING, COVERS AND TRIMS - (CONT'D)

N3PH - 12'

**Bumper Retainer [Item 9]**  
Without Partition  
(144.062"):

Part No.	Color
9025426	Pearly Gates
9025493	White
9025506	Bone White
9025519	Misty Gray
9025532	Pearl
9025545	Oatmeal
9025559	Soft Sand
9025572	Chromium
9025585	Cool Gray
9025598	Oyster
9025611	Black
9028940	Steel Gray
9031797	Chocolate
9031824	Mocha
9031878	Stone

**With Partition**  
(145.062"):

Part No.
9301761
9026969
9026970
9026971
9026972
9026973
9026974
9026975
9026976
9026977
9026978
9028942
9031799
9031826
9031880

**Bumper End Trim [Item 14]**

Part No.	Color
9027220	White
9027221	Bone White
9027222	Misty Gray
9027223	Pearl
9027224	Oatmeal
9027225	Soft Sand
9027226	Chromium
9027227	Cool Gray
9027228	Oyster
9027229	Black
9028882	Steel Gray
9029093	Pearly Gates
9034333	Chocolate
9034334	Mocha
9034335	Stone
9023195	RH Bmpr Pusher Brkt
9028082	LH Bmpr Pusher Brkt
5053985	Screw (2 per brkt)

**Bumper Backer [Item 13]**

Part No.	Color
9025023	White
9025028	Bone White
9025035	Misty Gray
9025038	Pearl
9025041	Oatmeal
9025079	Pearly Gates
9025253	Soft Sand
9025258	Chromium
9025265	Cool Gray
9025268	Oyster
9025271	Black
9028883	Steel Gray
9031884	Chocolate
9031885	Mocha
9031886	Stone

**Bumper [Item 8]**  
Without Partition  
(144.062"):

Part No.	Color
9025039	White
9025068	Pearly Gates
9025269	Bone White
9025290	Misty Gray
9025311	Pearl
9025332	Oatmeal
9025353	Soft Sand
9025374	Chromium
9025395	Cool Gray
9025416	Oyster
9025437	Black
9028912	Steel Gray
9031695	Chocolate
9031732	Mocha
9031796	Stone

**With Partition**  
(145.062"):

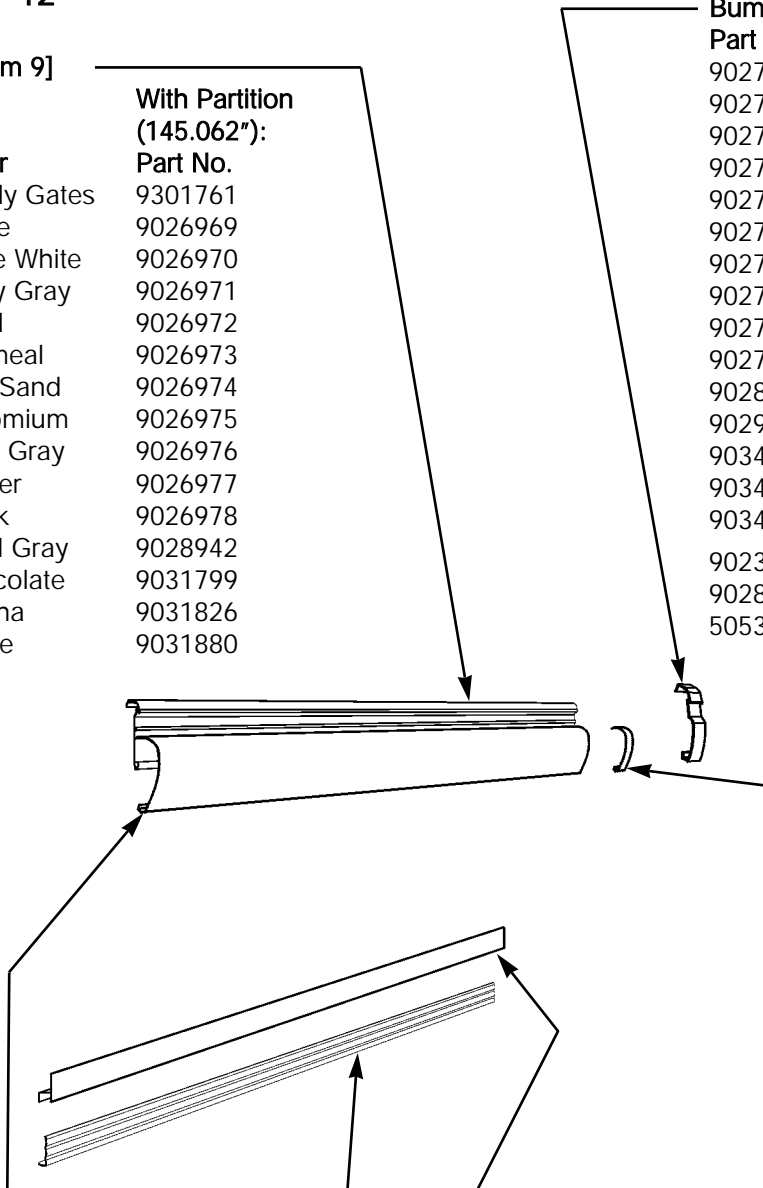
Part No.
9027199
9301747
9027200
9027201
9027202
9027203
9027204
9027205
9027206
9027207
9027208
9028914
9031697
9031734
9031771

**Optional Kickplate Extension [Item 21]**

Without Partition (144.063")		With Partition (145.063")	
Part No.	Color	Part No.	Color
9042896	Cool Gray	9042904	
9042897	Black	9042905	
9042898	Pearl	9042906	
9042899	Steel Gray	9042907	

**Kickplate [Item 20]**

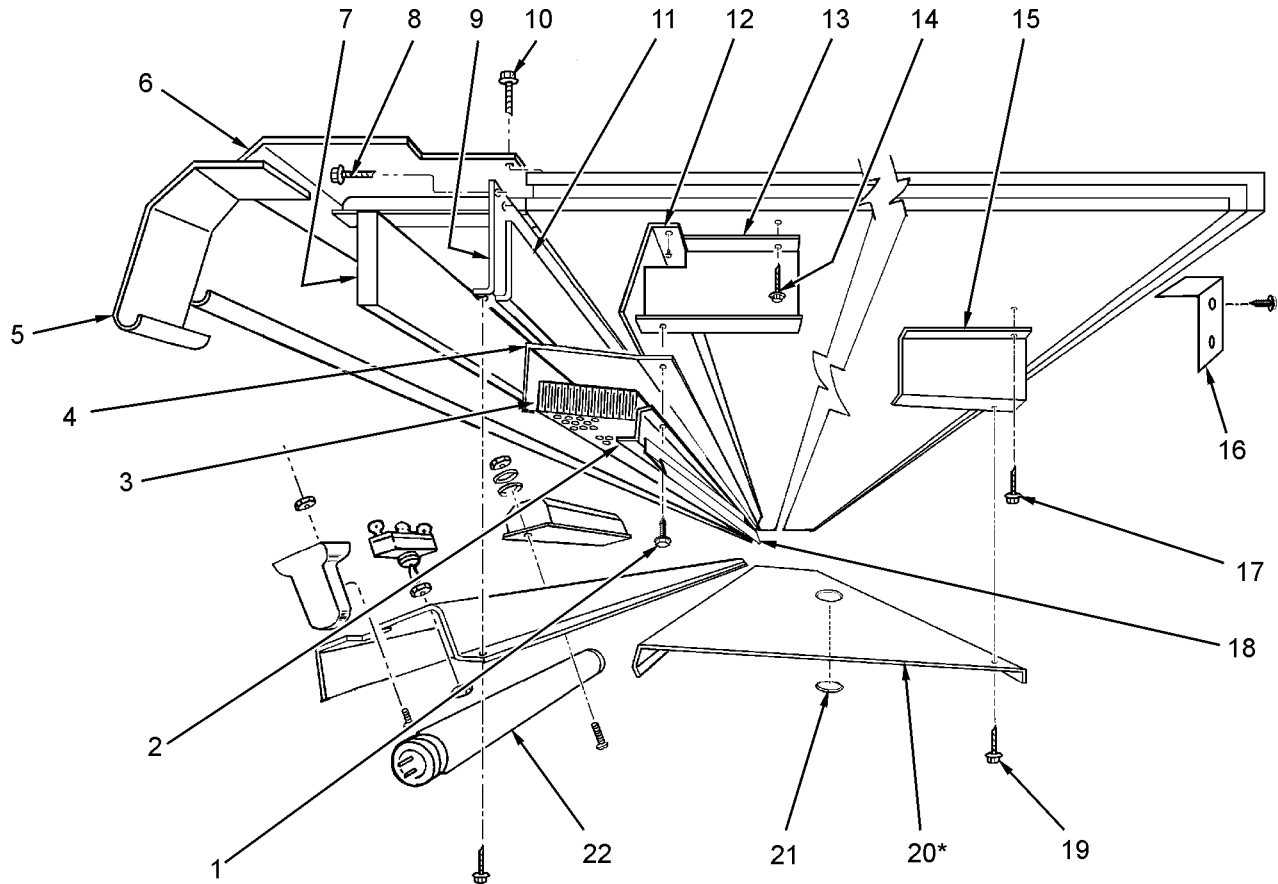
Without Partition (144.063")		With Partition (145.063")	
Part No.	Color	Part No.	Color
9041730	Cool Gray	9041740	
9041731	Black	9041741	
9041732	Pearl	9041742	
9041734	Steel Gray	9041744	







# STRUCTURAL COMPONENTS TOP SHELF ASSEMBLIES - N3PL/N3PH



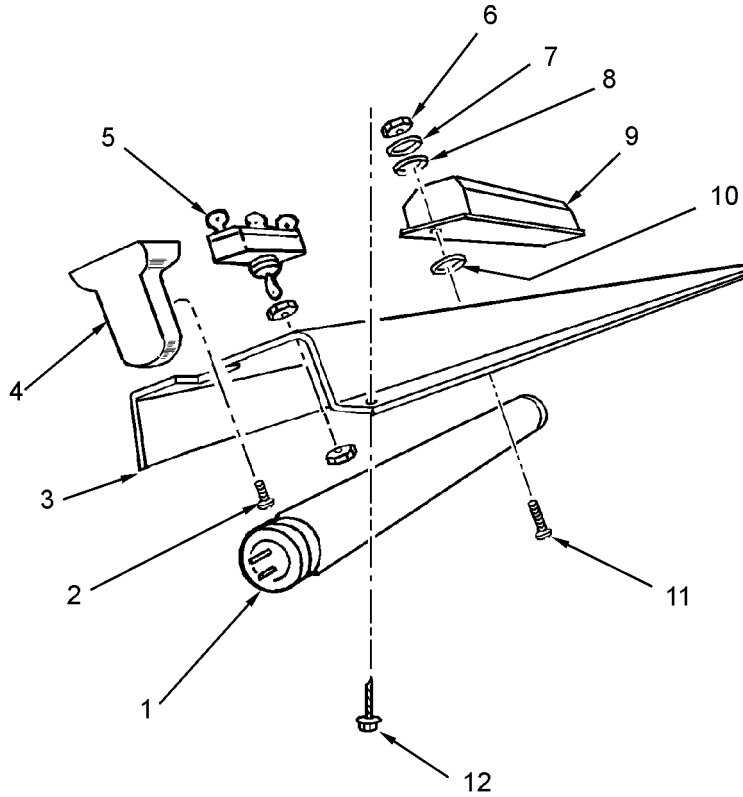
\* See Light Channel Assembly Page  
for parts itemization

## 8' and 12' Merchandiser

Item	Part No.	Quantity		Description	Item	Part No.	Quantity		Description
		8'	12'				8'	12'	
1	5104702	7	9	Rivet	12	5198863	1	-	Air Deflector
2	5190239	1	-	Rear Grid Retainer		5198864	-	1	Air Deflector
	5190240	-	1	Rear Grid Retainer		5127438	9	13	Air Deflector Spacer
3	5199297	2	3	Grid		5053985	9	13	Screw
4	5190241	1	-	Air Deflector & Retainer	13	5200164	5	7	Air Deflector Support
	5190242	-	1	Air Deflector & Retainer	14	5183536	10	14	Screw
5	9025983	1	1	Canopy Hood Backer, Ptd.	15	5200224	2	3	Rear Z-Bar
	5199134	4	4	Screw	16	5621247	2	2	Tie Strap
6	9025223	1	-	Canopy Hood, Ptd.		5183536	4	4	Screw
	9025224	-	1	Canopy Hood, Ptd.	17	5183536	4	6	Screw
	9026103	2	2	End Cover	18	9037524	1	-	Mirror Support
7	5186730	2	3	Front Hood Filler		9037525	-	1	Mirror Support
8	5183536	9	13	Screw	19	5619204	10	14	Screw
9	9025997	1	-	Light Channel Support	20	9037521	1	-	Top Duct
	9025998	-	1	Light Channel Support		9037522	-	1	Top Duct
10	5183536	4	6	Screw	21	5238710	1	1	Plug Button
11	5186737	A/R	A/R	Ethofoam Gasket		5646033	2	2	Access Cover
						5048626	4	4	Screw
					22	9043586	1	-	Light Channel Assy.
						9043585	-	1	Light Channel Assy.



STRUCTURAL COMPONENTS - (CONT'D)  
 TOP SHELF ASSEMBLIES - N3PL/N3PH  
 Canopy Light Assembly

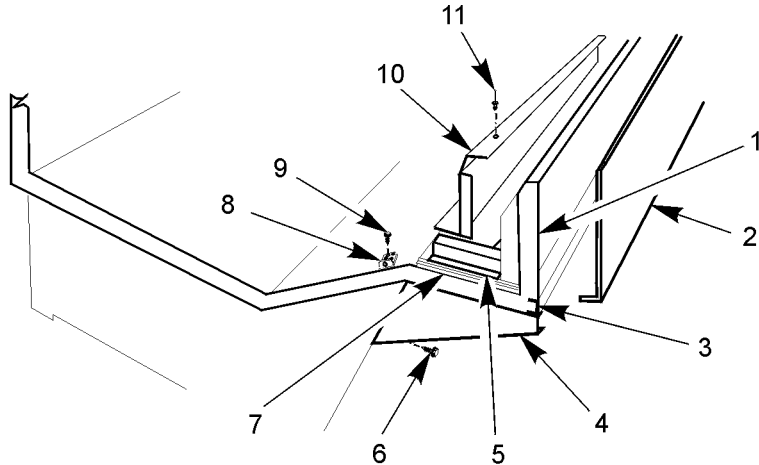


8' and 12' Merchandiser

Item	Part No.	Quantity		Description	Item	Part No.	Quantity		Description
		8'	12'				8'	12'	
*	9043586	1	-	Light Channel Assy.	6	5100661	2	2	Nut
*	9043585	-	1	Light Channel Assy.	7	5101000	2	2	Lockwasher
1	----	2	3	Lamp, T-8	8	5100973	2	2	Washer
2	5214107	4	6	Screw	9	5991029	1	-	T-8 Ballast, 2-Lamp
3	9025887	1	-	Light Channel		5991030	-	1	T-8 Ballast, 3-Lamp
	9025888	-	1	Light Channel	10	5103997	2	2	Lockwasher
4	9041897	4	6	Lampholder, T-8	11	5100379	2	2	Screw
	5981627	4	6	Lampholder Cap	12	5619204	4	6	Screw
5	5100565	1	1	Toggle Switch					



STRUCTURAL COMPONENTS - (CONT'D)  
FRONT SHELF ASSEMBLIES - N3PL

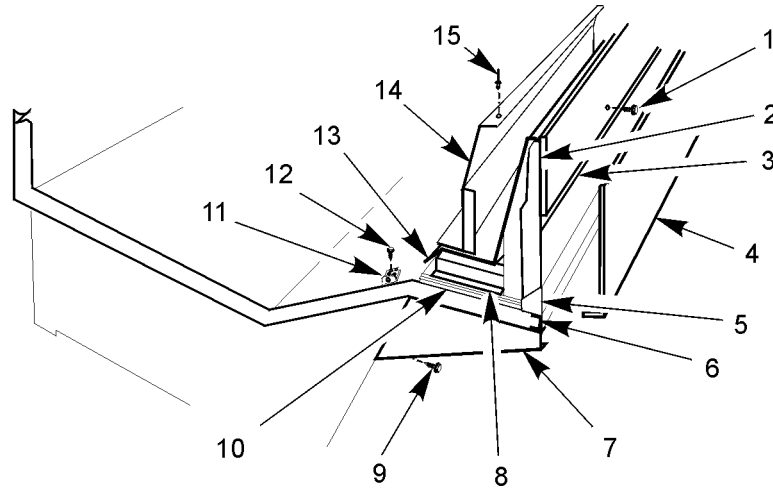


8' and 12' Merchandiser

Item	Part No.	Quantity		Description	Item	Part No.	Quantity		Description
		8'	12'				8'	12'	
1	5221376	2	3	Front Shelf Insulation	7	5221678	2	2	Beadboard Insulation
2	5221671	1	-	Front Shell		5221679	3	-	Beadboard Insulation
	5221672	-	1	Front Shell		5221680	-	3	Beadboard Insulation
3	5223078	2	3	Front Shell Support	8	5623826	4	4	Pull-up Angle
4	5221682	1	2	LH Bracket Support	9	1309067	16	16	Screw (4 per angle)
	5221681	2	2	RH Bracket Support	10	5221683	1	-	Front Liner
5	5221667	4	4	Front Shelf Z-Bar		5221684	-	1	Front Liner
	5120943	12	12	Screw (3 per Z-bar)	11	5104702	12	15	Rivet
6	1309067	9	12	Screw (3 per bracket)					



STRUCTURAL COMPONENTS - (CONT'D)  
FRONT SHELF ASSEMBLIES - N3PH

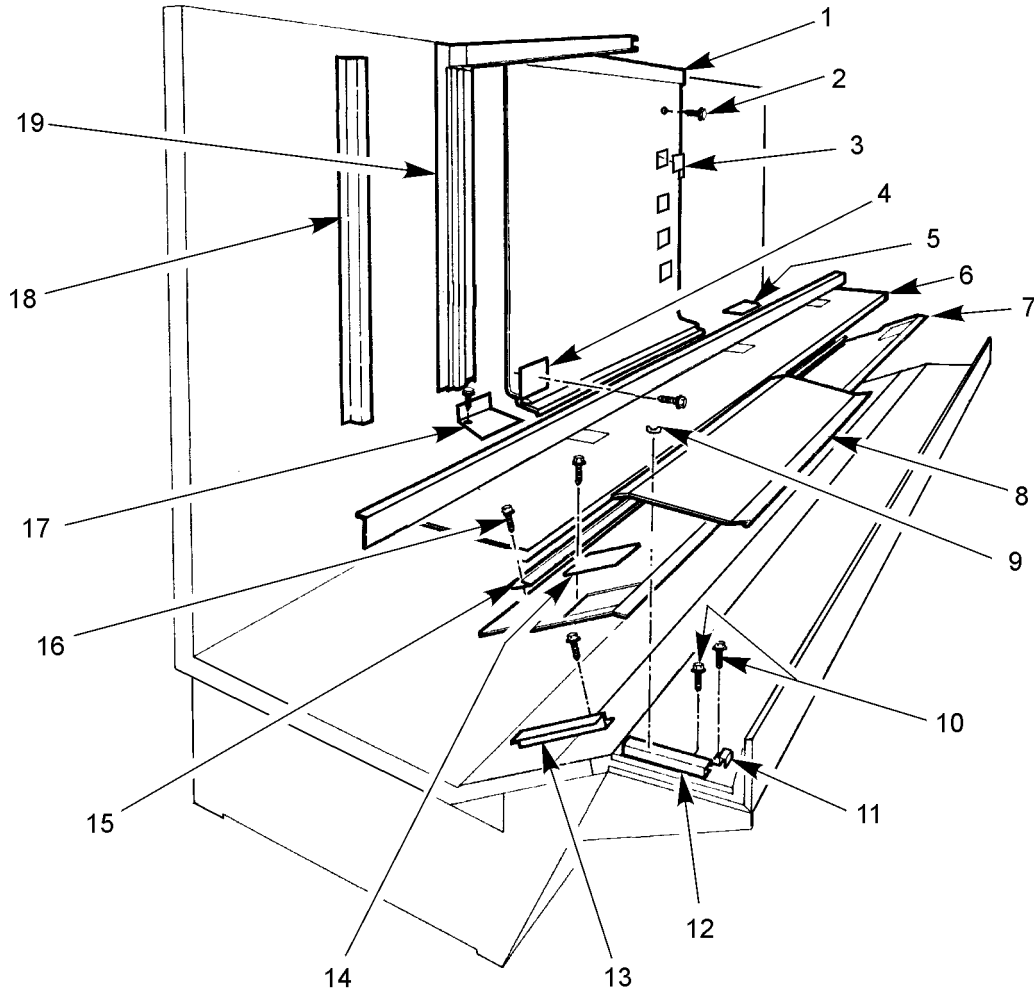


8' and 12' Merchandiser

Item	Part No.	Quantity		Description	Item	Part No.	Quantity		Description
		8'	12'				8'	12'	
1	5120943	16	23	Screw	9	1309067	9	12	Screw (3 per bracket)
2	5223608	2	3	Upper Front Insulation	10	5221678	2	2	Beadboard Insulation
3	5223604	1	-	Front Panel, Ptd.		5221679	3	-	Beadboard Insulation
	5223605	-	1	Front Panel, Ptd.		5221680	-	3	Beadboard Insulation
4	5221671	1	-	Front Shell	11	5623826	4	4	Pull-up Angle
	5221672	-	1	Front Shell	12	1309067	16	16	Screw (4 per angle)
5	5221676	2	3	Front Shelf Insulation	13	5221683	1	-	Front Liner
6	5223078	2	3	Front Shell Support		5221684	-	1	Front Liner
7	5221682	1	2	LH Support Bracket		5105037	17	24	Rivet
	5221681	2	2	RH Support Bracket	14	5223607	1	-	Front Liner
8	5221667	4	4	Front Shelf Z-Bar		5223608	-	1	Front Liner
	5120943	12	12	Screw (3 per Z-bar)	15	5104702	19	26	Rivet



STRUCTURAL COMPONENTS - (CONT'D)  
 DUCTS AND Z-BARS - N3PL

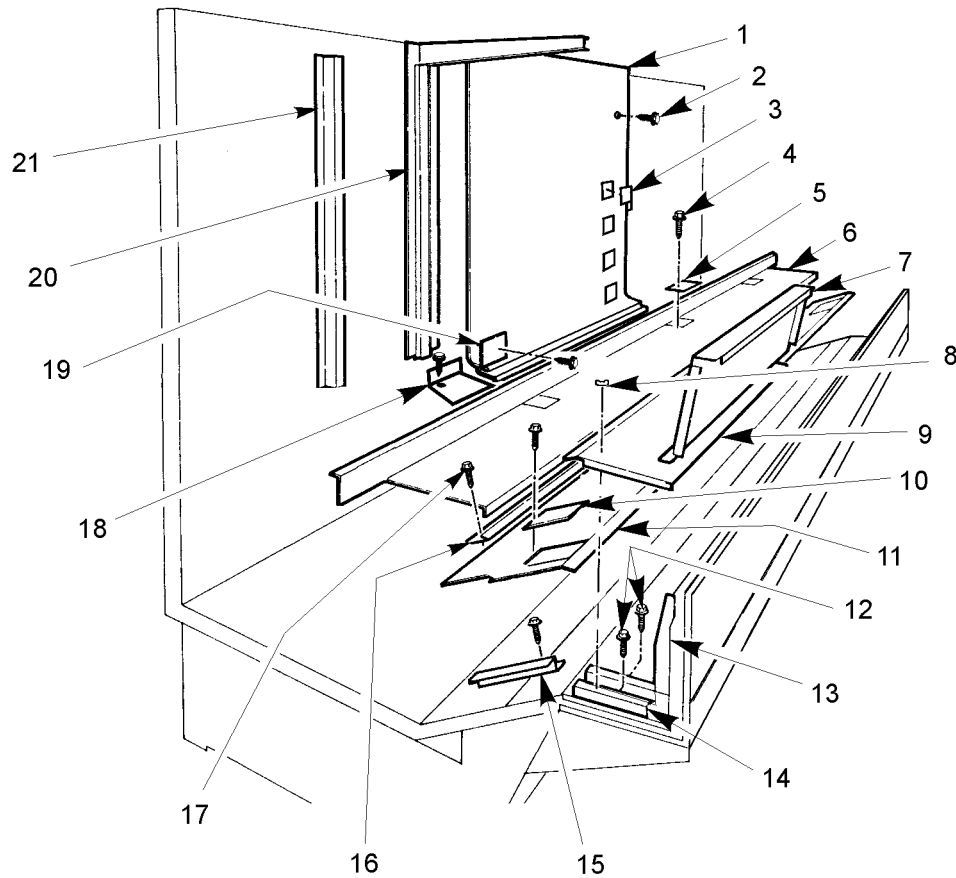


8' and 12' Merchandiser

Item	Part No.	Quantity		Description	Item	Part No.	Quantity		Description
		8'	12'				8'	12'	
1	5997509	2	3	Rear Duct	11	5221665	8	12	Wire Fence Sprt. Bracket
2	5048626	24	36	Screw (12 per duct)	12	5221670	6	9	Upper Front Duct Support
3	9026091	6	9	Outlet Cover, Ptd.	13	5221667	4	5	Lower Front Duct Z-Bar
	5048626	6	9	Screw (1 per cover)	14	5205171	2	2	Pull-up Cover
4	5646033	4	6	Access Cover, Ptd.		5183536	8	8	Screw (4 per cover)
	5048626	8	12	Screw (2 per cover)	15	5221659	1	-	Front Tray Support
5	5205171	2	3	Pull-up Cover		5221660	-	1	Front Tray Support
	5183536	8	12	Screw (3 per cover)	16	5183536	12	16	Screw
6	5244946	1	-	Top Coil Close-off	17	5199298	1	2	Rear Duct Joint Trim
	5244947	-	1	Top Coil Close-off		5148626	2	4	Screw (2 per trim)
7	5221668	1	-	Lower Front Duct	18	5198913	2	3	Rear Z-Bar
	5221669	-	1	Lower Front Duct		5120943	12	18	Screw (6 per Z-bar)
8	5949874	2	3	Upper Front Duct	<b>19</b>	<b>5198697</b>	<b>1</b>	<b>2</b>	<b>Center Upright Assy.</b>
9	5185321	4	6	Q-4 Fastener		5120943	12	24	Screw (12 per upright)
10	5120943	24	28	Screw					



STRUCTURAL COMPONENTS - (CONT'D)  
 DUCTS AND Z-BARS - N3PH

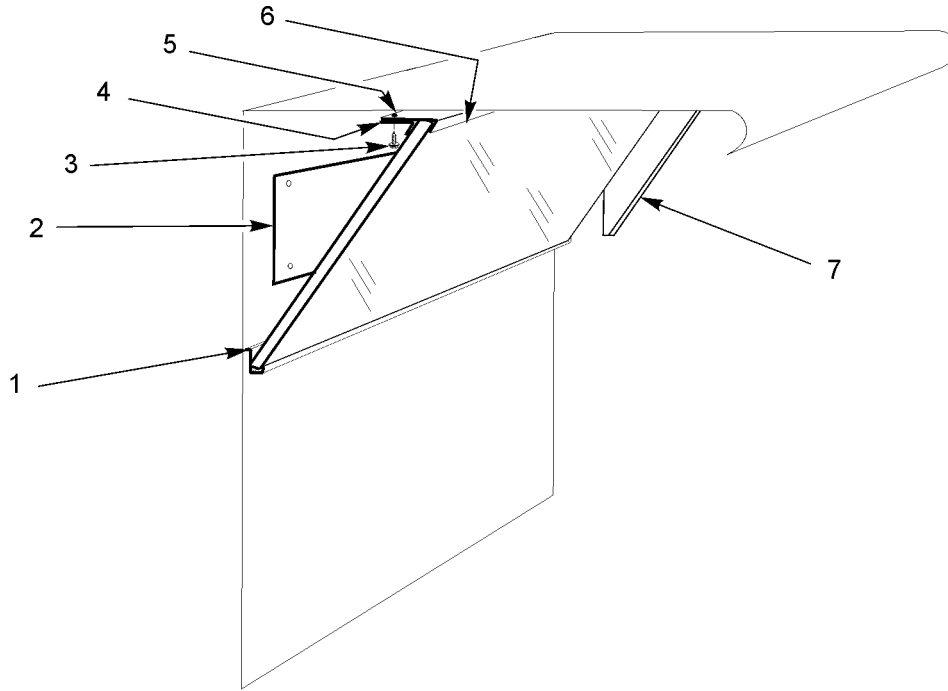


8' and 12' Merchandiser

Item	Part No.	Quantity		Description	Item	Part No.	Quantity		Description
		8'	12'				8'	12'	
1	5997509	2	3	Rear Duct	12	5120943	24	28	Screw
2	5048626	24	36	Screw (12 per duct)	13	5223733	3	4	LH FR Duct Support Assy.
3	9026091	6	9	Outlet Cover, Ptd.		5223732	3	5	RH FR Duct Support Assy.
	5048626	6	9	Screw (1 per cover)	14	5221670	2	2	Upper Front Duct Support
4	5183536	8	12	Screw (4 per cover)	15	5221667	4	5	Lower Front Duct Z-Bar
5	5205171	2	3	Pull-up Cover	16	5221659	1	-	Front Tray Support
6	5244946	1	-	Top Coil Close-off		5221660	-	1	Front Tray Support
	5244947	-	1	Top Coil Close-off	17	5183536	12	16	Screw
7	5198959	2	3	Front Duct	18	5199298	1	2	Rear Duct Joint Trim
8	5185321	4	6	Q-4 Fastener	19	5148626	2	4	Screw (2 per trim)
9	5223614	2	3	Upper Front Duct	20	<b>5198697</b>	1	2	<b>Center Upright Assy.</b>
10	5205171	2	3	Pull-up Cover		5120943	12	24	Screw (12 per upright)
	5183536	8	12	Screw (4 per cover)	21	5198913	2	3	Rear Z-Bar
11	5221668	1	-	Lower Front Duct		5120943	12	18	Screw (6 per Z-bar)
	5221669	-	1	Lower Front Duct					



STRUCTURAL COMPONENTS - (CONT'D)  
STANDARD AND OPTIONAL MIRRORS - N3PL/N3PH

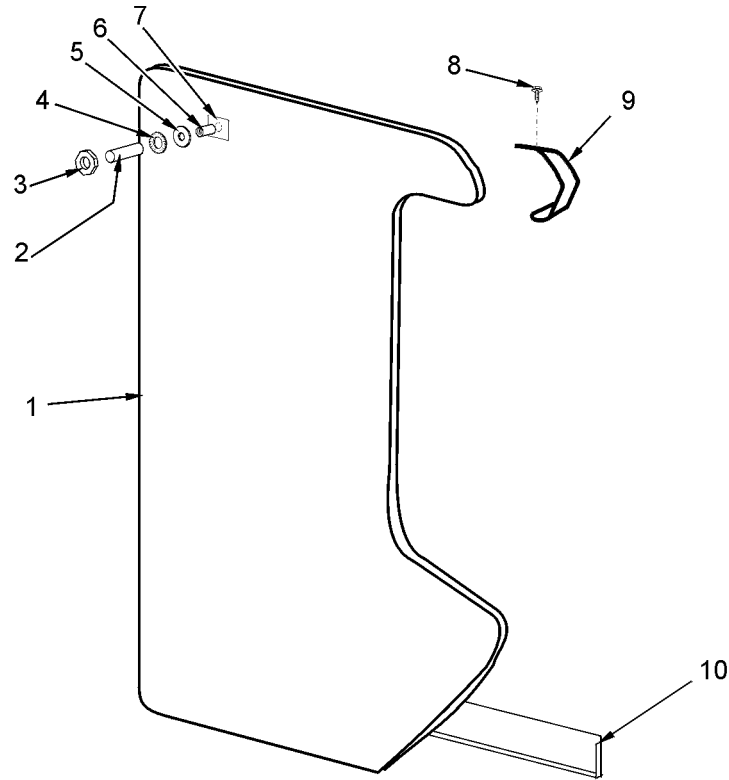


8' and 12' Merchandiser

Item	Part No.	Quantity		Description	Item	Part No.	Quantity		Description
		8'	12'				8'	12'	
*	5220830	1	-	Std. 23" Mirror Assy.	5	5185247	1	-	Upper Mirror Support
*	5220831	-	1	Std. 23" Mirror Assy.		5185248	-	1	Upper Mirror Support
*	5954270	1	-	Opt. 16" Mirror Assy.	6	5198843	1	-	Carton & Mirror Assy., 23"
*	5954271	-	1	Opt. 16" Mirror Assy.		5198844	-	1	Carton & Mirror Assy., 23"
1	5195617	1	-	Lower Mirror Support		5198841	1	-	Carton & Mirror Assy., 16"
	5195618	-	1	Lower Mirror Support		5198842	-	1	Carton & Mirror Assy., 16"
	5183536	11	17	Screw		5125156	2	3	23" Mirror, 22 15/16" x 47 7/8"
2	5231596	2	3	Rear Duct Close-off, 23"		5185235	2	3	16" Mirror, 15 1/4" x 47 15/16"
	5231595	2	3	Rear Duct Close-off, 16"		5615068	1	2	Joint Gasket, 23"
	5183536	12	18	Screw (6 per close-off)		5185236	1	2	Joint Gasket, 16"
3	5123781	16	24	Screw, 23" Mirror		5214669	A/R	A/R	Silaprene Adhesive
	5183536	10	10	Screw, 16" Mirror	7	5183851	2	2	Mirror End Trim (RH only)
4	5059254	2	3	Mirror Retainer		5183536	4	4	Screw (2 per trim)



STRUCTURAL COMPONENTS - (CONT'D)  
 PATCH ENDS, PARTITIONS AND DIVIDERS  
 Solid Contoured Patch End - N3PL

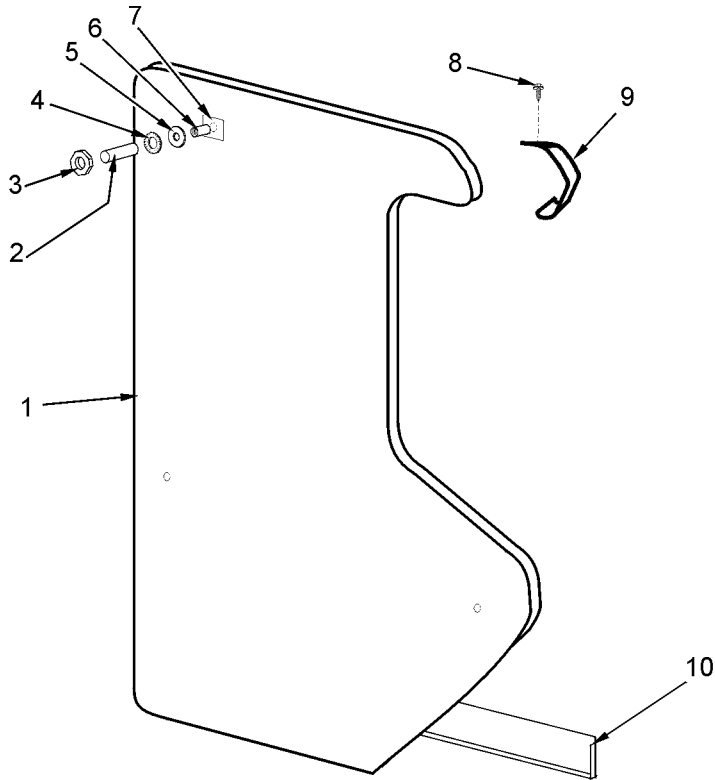


Item	Part No.	Qty.	Description	Item	Part No.	Qty.	Description
*	9021581	1	RH Contoured End Assy., PTD w/PTD Liner	10	9022459	1	LH Base End Close-off
*	9021582	1	LH Contoured End Assy., PTD w/PTD Liner		9022466	1	RH Base End Close-off
*	9021583	1	RH Contoured End Assy., PTD w/BRT SS Liner		5048626	2	Screw
*	9021584	1	LH Contoured End Assy., PTD w/BRT SS Liner	<b>Optional End Bumper Components (not shown)</b>			
1	9024531	1	RH Bench Assy., PTD w/PTD Liner	-	9023459	1	1" End Bumper, Pearly Gates - 39"
	9024532	1	LH Bench Assy., PTD w/PTD Liner		9023460	1	1" End Bumper, Cool Gray - 39"
	9024533	1	RH Bench Assy., PTD w/BRT SS Liner		9023461	1	1" End Bumper, Black - 39"
	9024534	1	LH Bench Assy., PTD w/BRT SS Liner		9023462	1	1" End Bumper, Pearl - 39"
2	9022759	4	Stud, 5/16"-18 x 3"		9310876	1	1" End Bumper, Steel Gray - 39"
3	5100625	4	Nut, 5/15"-18	-	9023463	1	1" End Bumper, Pearly Gates - 47"
4	5101003	4	Lockwasher		9023464	1	1" End Bumper, Cool Gray - 47"
5	5100976	4	Washer		9023465	1	1" End Bumper, Black - 47"
6	9022756	4	Threaded Insert		9023466	1	1" End Bumper, Pearl - 47"
7	9022760	4	Tapping Plate		9602186	1	1" End Bumper, Steel Gray - 47"
8	5219883	4	Screw	-	9023453	1	Mounting Retainer - 41"
9	9029422	1	Canopy Hood Trim, PTD	-	9023454	1	Mounting Retainer - 49"
				-	9027743	4	End Cap, Cool Gray
					9027744	4	End Cap, Black
				-	9027742	4	End Cap, Pearl
					9026528	4	End Cap, Pearly Gates
					9310881	4	End Cap, Steel Gray
				-	5183536	4	Screw
				-	5104702	17	Rivet





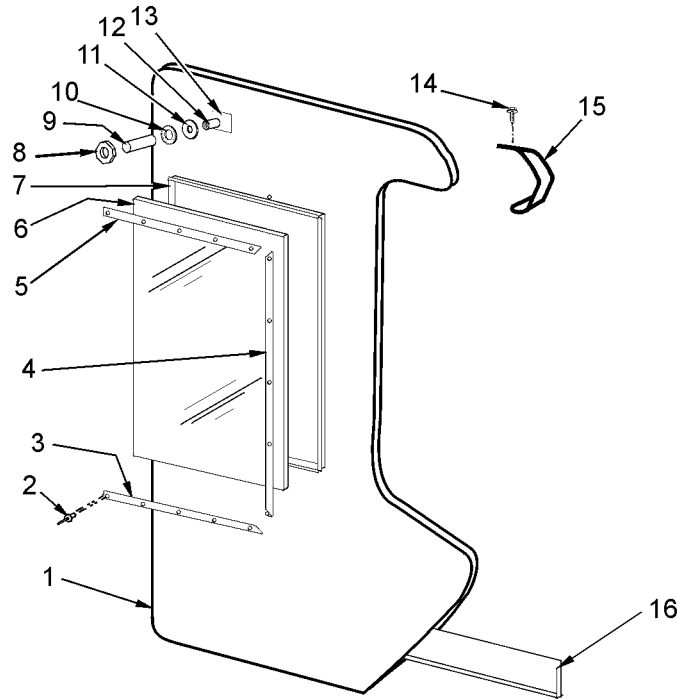
STRUCTURAL COMPONENTS - (CONT'D)  
 PATCH ENDS, PARTITIONS AND DIVIDERS  
 Solid Contoured Patch End - N3PH



Item	Part No.	Qty.	Description	Item	Part No.	Qty.	Description
*	9021589	1	RH Contoured End Assy., PTD w/PTD Liner	10	9022459	1	LH Base End Close-off
*	9021590	1	LH Contoured End Assy., PTD w/PTD Liner		9022466	1	RH Base End Close-off
*	9028652	1	RH Contoured End Assy., PTD w/BRT SS Liner		5048626	2	Screw
*	9028658	1	LH Contoured End Assy., PTD w/BRT SS Liner	<b>Optional End Bumper Components (not shown)</b>			
1	9024543	1	RH Bench Assy., PTD w/PTD Liner	-	9023459	1	1" End Bumper, Pearly Gates - 39"
	9024544	1	LH Bench Assy., PTD w/PTD Liner		9023460	1	1" End Bumper, Cool Gray - 39"
	9024549	1	RH Bench Assy., PTD w/BRT SS Liner		9023461	1	1" End Bumper, Black - 39"
	9024550	1	LH Bench Assy., PTD w/BRT SS Liner		9023462	1	1" End Bumper, Pearl - 39"
2	9022759	4	Stud, 5/16"-18 x 3"		9310876	1	1" End Bumper, Steel Gray - 39"
3	5100625	4	Nut, 5/15"-18	-	9023463	1	1" End Bumper, Pearly Gates - 47"
4	5101003	4	Lockwasher		9023464	1	1" End Bumper, Cool Gray - 47"
5	5100976	4	Washer		9023465	1	1" End Bumper, Black - 47"
6	9022756	4	Threaded Insert		9023466	1	1" End Bumper, Pearl - 47"
7	9022760	4	Tapping Plate		9602186	1	1" End Bumper, Steel Gray - 47"
8	5219883	4	Screw	-	9023453	1	Mounting Retainer - 41"
9	9029422	1	Canopy Hood Trim, PTD	-	9023454	1	Mounting Retainer - 49"
				-	9027743	4	End Cap, Cool Gray
					9027744	4	End Cap, Black
				-	9027742	4	End Cap, Pearl
					9026528	4	End Cap, Pearly Gates
					9310881	4	End Cap, Steel Gray
				-	5183536	4	Screw
				-	5104702	17	Rivet



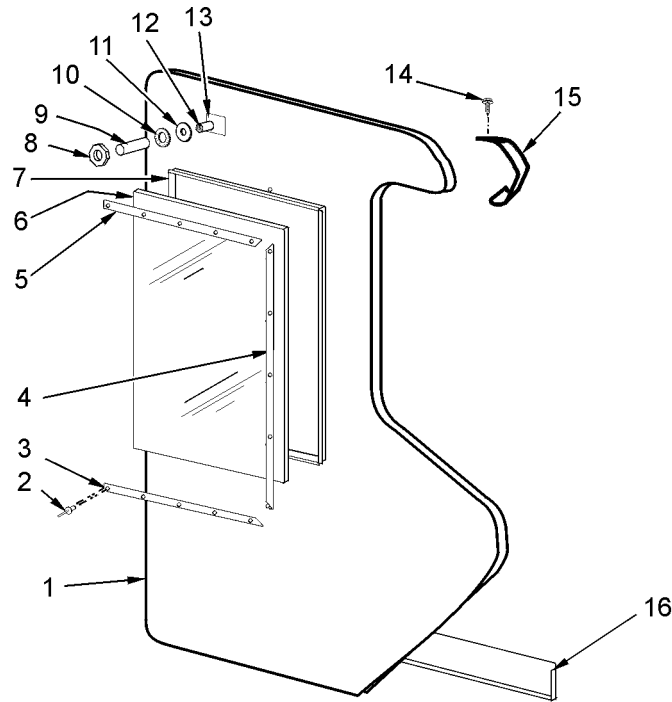
STRUCTURAL COMPONENTS - (CONT'D)  
 PATCH ENDS, PARTITIONS AND DIVIDERS  
 Solid Contoured Patch End with Mirror - N3PL



Item	Part No.	Qty.	Description	Item	Part No.	Qty.	Description
*	9021585	1	RH Contoured End Assy., PTD w/PTD Liner & Mirror	14	5219883	4	Screw
*	9021586	1	LH Contoured End Assy., PTD w/PTD Liner & Mirror	15	9029422	1	Canopy Hood Trim, PTD
*	9021587	1	RH Contoured End Assy., PTD w/BRT SS Liner & Mirror	16	9022459	1	LH Base End Close-off
*	9021588	1	LH Contoured End Assy., PTD w/BRT SS Liner & Mirror		9022466	1	RH Base End Close-off
1	9024535	1	RH Bench Assy., PTD w/PTD Liner & Mirror		5048626	2	Screw
	9024536	1	LH Bench Assy., PTD w/PTD Liner & Mirror	<b>Optional End Bumper Components (not shown)</b>			
	9024537	1	RH Bench Assy., PTD w/BRT SS Liner & Mirror	-	9023459	1	1" End Bumper, Pearly Gates - 39"
	9024538	1	LH Bench Assy., PTD w/BRT SS Liner & Mirror		9023460	1	1" End Bumper, Cool Gray - 39"
2	5104702	30	Rivet		9023461	1	1" End Bumper, Black - 39"
3	9027800	1	Bottom Mirror Trim		9023462	1	1" End Bumper, Pearl - 39"
4	9030161	1	Front Vertical Mirror Trim		9310876	1	1" End Bumper, Steel Gray - 39"
5	9030154	1	Top Mirror Trim	-	9023463	1	1" End Bumper, Pearly Gates - 47"
6	9030017	1	Mirror		9023464	1	1" End Bumper, Cool Gray - 47"
7	9027797	1	Mirror Pan		9023465	1	1" End Bumper, Black - 47"
8	9022759	4	Stud, 5/16"-18 x 3"		9023466	1	1" End Bumper, Pearl - 47"
9	5100625	4	Nut, 5/15"-18		9602186	1	1" End Bumper, Steel Gray - 47"
10	5101003	4	Lockwasher	-	9023453	1	Mounting Retainer - 41"
11	5100976	4	Washer	-	9023454	1	Mounting Retainer - 49"
12	9022756	4	Threaded Insert	-	9027743	4	End Cap, Cool Gray
13	9022760	4	Tapping Plate		9027744	4	End Cap, Black
				-	9027742	4	End Cap, Pearl
					9026528	4	End Cap, Pearly Gates
					9310881	4	End Cap, Steel Gray
				-	5183536	4	Screw
				-	5104702	17	Rivet



STRUCTURAL COMPONENTS - (CONT'D)  
 PATCH ENDS, PARTITIONS AND DIVIDERS  
 Solid Contoured Patch End with Mirror - N3PH



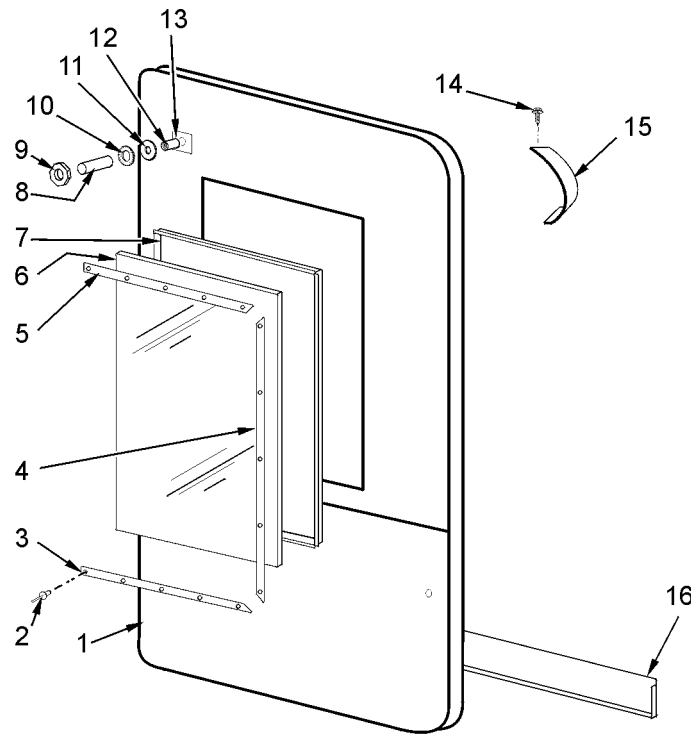
Item	Part No.	Qty.	Description	Item	Part No.	Qty.	Description
*	9021591	1	RH Contoured End Assy., PTD w/PTD Liner & Mirror	14	5219883	4	Screw
*	9021592	1	LH Contoured End Assy., PTD w/PTD Liner & Mirror	15	9029422	1	Canopy Hood Trim, PTD
*	9021593	1	RH Contoured End Assy., PTD w/BRT SS Liner & Mirror	16	9022459	1	LH Base End Close-off
*	9021594	1	LH Contoured End Assy., PTD w/BRT SS Liner & Mirror		9022466	1	RH Base End Close-off
1	9024545	1	RH Bench Assy., PTD w/PTD Liner & Mirror		5048626	2	Screw
	9024546	1	LH Bench Assy., PTD w/PTD Liner & Mirror	<b>Optional End Bumper Components (not shown)</b>			
	9024547	1	RH Bench Assy., PTD w/BRT SS Liner & Mirror	-	9023459	1	1" End Bumper, Pearly Gates - 39"
	9024548	1	LH Bench Assy., PTD w/BRT SS Liner & Mirror		9023460	1	1" End Bumper, Cool Gray - 39"
2	5104702	30	Rivet		9023461	1	1" End Bumper, Black - 39"
3	9027800	1	Bottom Mirror Trim		9023462	1	1" End Bumper, Pearl - 39"
4	9030161	1	Front Vertical Mirror Trim		9310876	1	1" End Bumper, Steel Gray - 39"
5	9030154	1	Top Mirror Trim	-	9023463	1	1" End Bumper, Pearly Gates - 47"
6	9030017	1	Mirror		9023464	1	1" End Bumper, Cool Gray - 47"
7	9027797	1	Mirror Pan		9023465	1	1" End Bumper, Black - 47"
8	9022759	4	Stud, 5/16"-18 x 3"		9023466	1	1" End Bumper, Pearl - 47"
9	5100625	4	Nut, 5/15"-18		9602186	1	1" End Bumper, Steel Gray - 47"
10	5101003	4	Lockwasher	-	9023453	1	Mounting Retainer - 41"
11	5100976	4	Washer	-	9023454	1	Mounting Retainer - 49"
12	9022756	4	Threaded Insert	-	9027743	4	End Cap, Cool Gray
13	9022760	4	Tapping Plate		9027744	4	End Cap, Black
				-	9027742	4	End Cap, Pearl
					9026528	4	End Cap, Pearly Gates
					9310881	4	End Cap, Steel Gray
				-	5183536	4	Screw
				-	5104702	17	Rivet



STRUCTURAL COMPONENTS - (CONT'D)

PATCH ENDS, PARTITIONS AND DIVIDERS

Solid Boxed Patch End with Mirror - N3PL/N3PH w/ Std. & 6" Higher Bases



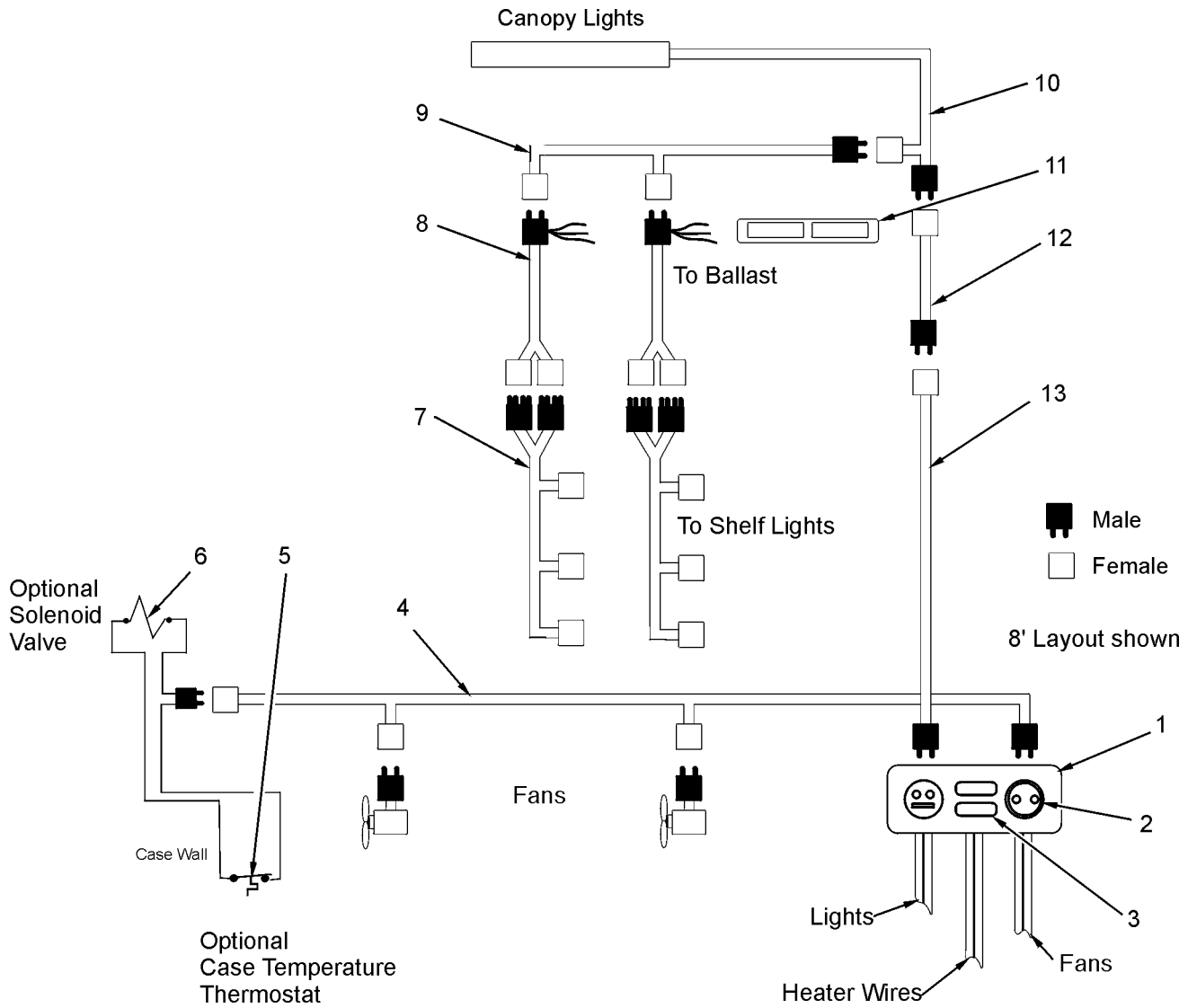
Item	Part No.	Qty.	Description	Item	Part No.	Qty.	Description
*	9028498	1	RH Boxed End Assy., PTD w/BRT SS Liner & Mirror-70.5"	13	9022760	4	Tapping Plate
*	9028499	1	LH Boxed End Assy., PTD w/BRT SS Liner & Mirror-70.5"	14	5219883	4	Screw
*	9028142	1	RH Tall Boxed End Assy., PTD w/BRT SS Liner & Mirror-76.5"	15	9029422	1	Canopy Hood Trim, PTD
*	9028143	1	LH Tall Boxed End Assy., PTD w/BRT SS Liner & Mirror-76.5"	16	9022459	1	LH Base End Close-off
1	9024541	1	RH Bench Assy., PTD w/BRT SS Liner & Mirror-70.5"		9022466	1	RH Base End Close-off
	9024542	1	LH Bench Assy., PTD w/BRT SS Liner & Mirror-70.5"		5048626	2	Screw
	9024539	1	RH Tall Bench Assy., PTD w/BRT SS Liner & Mirror-76.5"	<b>Optional End Bumper Components (not shown)</b>			
	9024540	1	LH Tall Bench Assy., PTD w/BRT SS Liner & Mirror-76.5"	-	9023463	2	1" End Bumper, Pearly Gates - 47"
2	5104702	30	Rivet		9023464	2	1" End Bumper, Cool Gray - 47"
3	9027799	1	Bottom Mirror Trim		9023465	2	1" End Bumper, Black - 47"
4	9030161	1	Front Vertical Mirror Trim		9023466	2	1" End Bumper, Pearl - 47"
5	9030162	1	Top Mirror Trim		9602186	2	1" End Bumper, Steel Gray - 47"
6	9030159	1	Mirror	-	9023454	2	Mounting Retainer - 49"
7	9030160	1	Mirror Pan	-	9027743	4	End Cap, Cool Gray
8	9022759	4	Stud, 5/16"-18 x 3"	-	9027744	4	End Cap, Black
9	5100625	4	Nut, 5/15"-18	-	9027742	4	End Cap, Pearl
10	5101003	4	Lockwasher		9026528	4	End Cap, Pearly Gates
11	5100976	4	Washer		9310881	4	End Cap, Steel Gray
12	9022756	4	Threaded Insert	-	5183536	4	Screw
				-	5104702	17	Rivet



# ELECTRICAL SYSTEM COMPONENTS

## WIRING HARNESSSES - N3PL/N3PH

### Wiring and Components

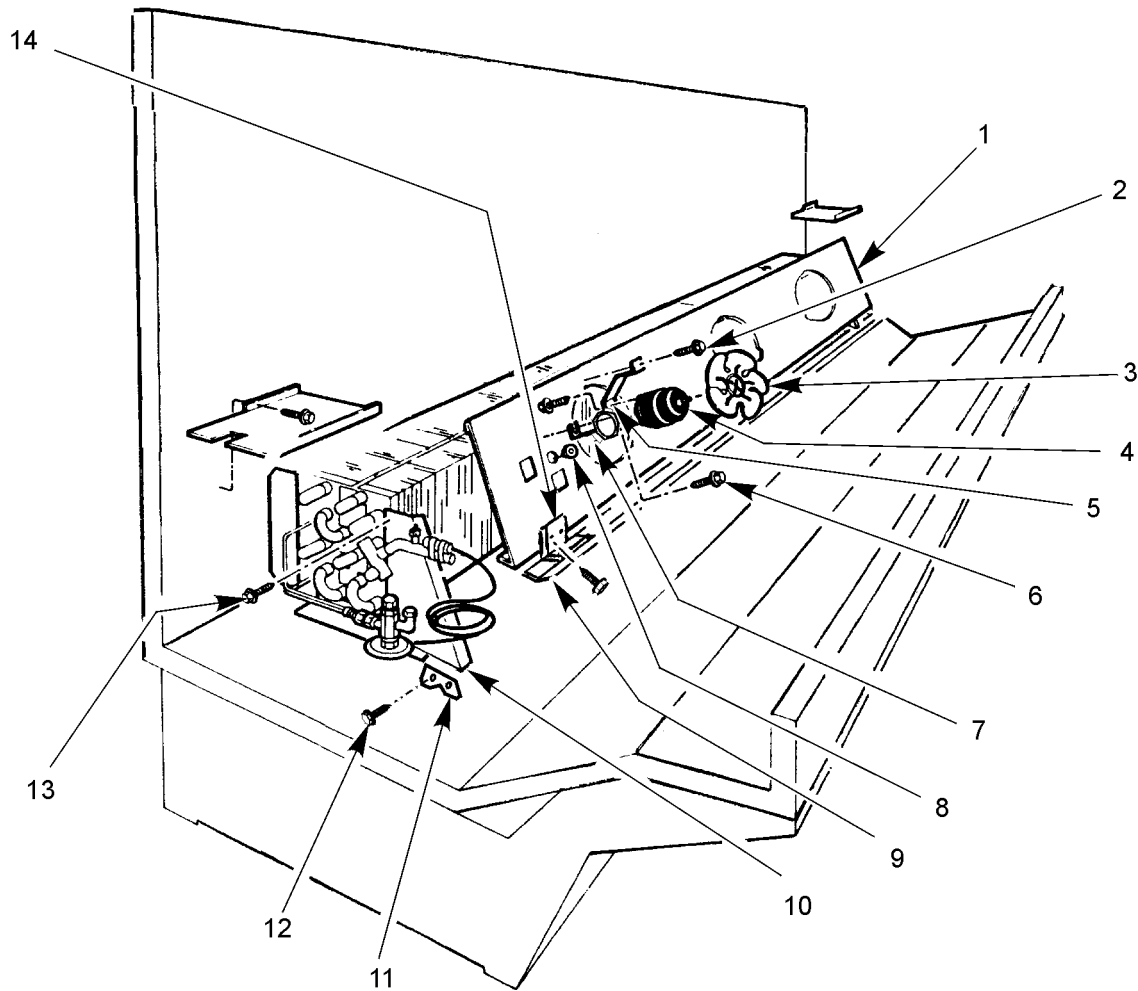


8' and 12' Merchandiser

Item	Part No.	Quantity		Description	Item	Part No.	Quantity		Description
		8'	12'				8'	12'	
1	9041307	1	1	Input Harness, 120V	9026004	1	1	T-8 Ballast Assy., Shelf Lights	
2	5202500	1	1	Dummy Plug	9026005	-	1	T-8 Ballast Assy., Shelf Lights	
3	5149769	2	2	Dummy Plug	5991030	2	3	3-Lamp Ballast	
4	5211558	1	-	Fan Harness, 106"	9025999	1	2	Ballast Bracket	
	5211559	-	1	Fan Harness, 156"	5100379	4	6	Screw	
5	5193888	1	1	Opt. Thermostat	5100661	4	6	Nut	
6	5200225	1	1	Opt. Solenoid Valve, 1/2"	5100970	4	6	Washer	
	5191445	1	1	Opt Solenoid Valve, 5/8"	5101000	4	6	Lockwasher	
	5191446	1	1	Opt. Solenoid Valve, 7/8"	5103997	4	6	Lockwasher	
7	9025917	2	3	Opt. Top Duct Harness	12	9041309	1	1	Top Shelf LTG Harness
9	9026529	1	2	Opt. Shelf Power Feed Harness	13	9041308	1	1	Light Supply Harness
10	9041894	1	1	Canopy Power SW Harness					
11	5991029	1	-	2-Lamp Ballast, Canopy					
	5991030	-	1	3-Lamp Ballast, Canopy					



ELECTRICAL SYSTEM COMPONENTS - (CONT'D)  
 FAN SYSTEMS - N3PL/N3PH

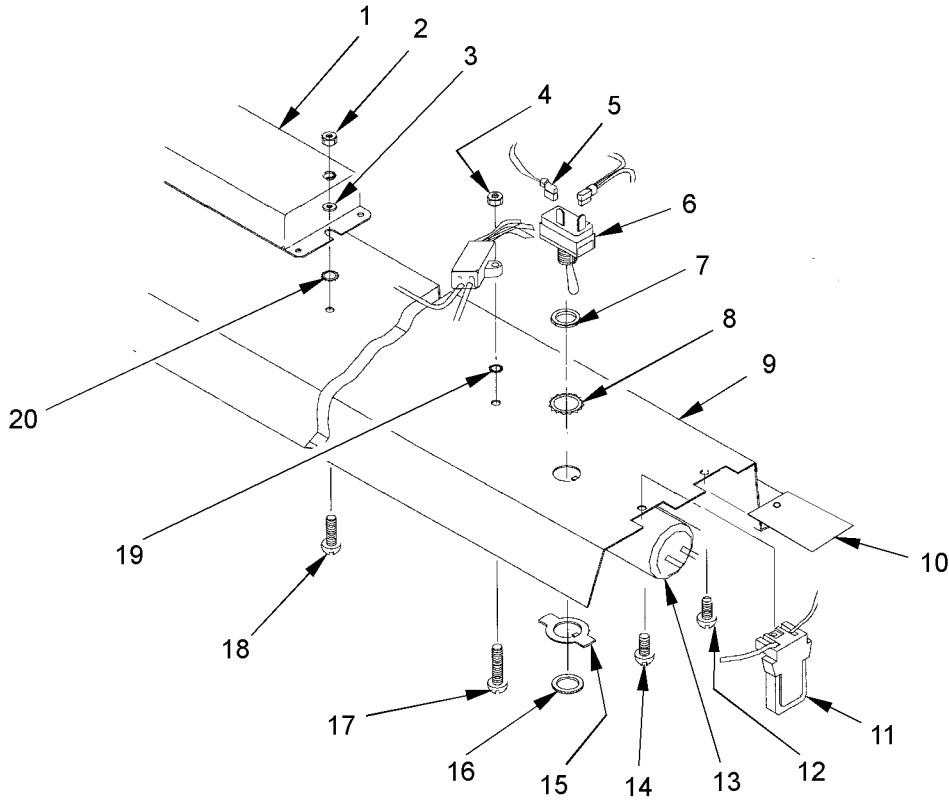


8' and 12' Merchandiser

Item	Part No.	Quantity		Description	Item	Part No.	Quantity		Description
		8'	12'				8'	12'	
1	5244952	1	-	Fan Panel	7	5206177	2	3	Fan Harness Clip
	5244953	-	1	Fan Panel	8	5122007	3	4	Strain Relief
*	<b>5244989</b>	<b>2</b>	<b>3</b>	<b>Fan Motor Assy.</b>	9	5244439	1	-	Fan Panel Angle
*	<b>9025016</b>	<b>2</b>	<b>3</b>	<b>Opt. ECM Fan Motor Assy.</b>		5244440	-	1	Fan Panel Angle
2	5183536	2	3	Screw	10	5244438	1	1	LH Fan Panel Close-off
3	5223370	2	3	Fan Blade, 7" 30° 5B		5244437	1	1	RH Fan Panel Close-off
4	5125532	2	3	Fan Motor, 5W	11	5244436	2	2	Fan Panel Close-off Tab
	9025001	2	3	Opt. ECM Fan Motor, 5W	12	5183536	4	4	Screw (2 per tab)
5	5962269	6	9	Fan Bracket	13	5183536	3	3	Screw
	9041077	2	3	Fan Bracket MTG Plate	14	5186058	4	5	Fan Panel Hinge
	9025005	6	9	Opt Fan Bracket		5183536	16	20	Screw (4 per hinge)
6	5183536	2	3	Screw (1 per clip)					



**ELECTRICAL SYSTEM COMPONENTS - (CONT'D)**  
**OPTIONAL CANOPY LIGHT ASSEMBLIES - N3PL/N3PH**  
**1-Row 800MA Light**

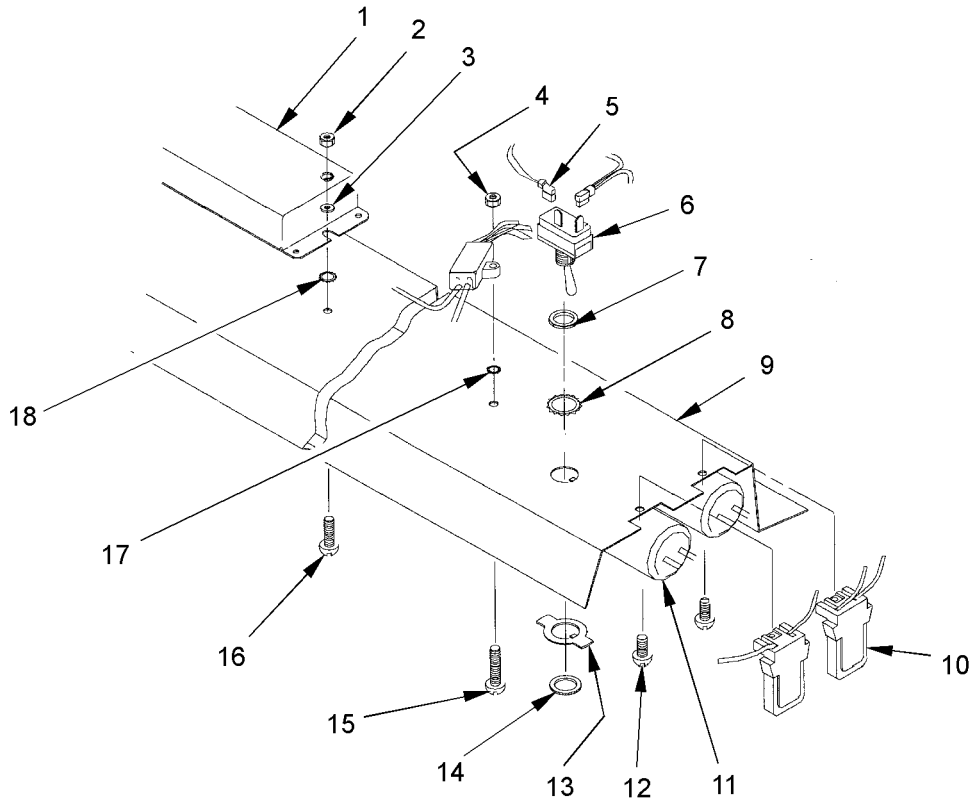


**8' and 12' Merchandiser**

Item	Part No.	Quantity		Description	Item	Part No.	Quantity		Description
		8'	12'				8'	12'	
*	9027678	1	-	1-Row Light Channel Assy.	10	9025994	1	1	Cover
*	9027732	-	1	1-Row Light Channel Assy.	11	5614628	1	2	Lampholder, Telescopic
1	5049140	1	1	Ballast, 2-Lamp (800MA)		5614629	1	2	Lampholder, Stationary
2	5100661	2	2	Nut	12	5619204	2	2	Screw
	5100100	2	2	Lockwasher, Shakeproof	13	----	1	2	Fluorescent Lamp, F96T12HO
3	5100973	2	2	Washer					
4	5111198	1	1	Nut	14	5214107	2	4	Screw
5	5211734	2	2	Connector, 90°	15	----	1	1	Washer (furn. w/ item 6)
	9027302	1	1	Light Switch Harness	16	----	1	1	Nut
6	5100565	1	1	Toggle Switch, SPST	17	5185153	1	1	Screw
7	----	1	1	Nut (furn. w/ item 6)	18	5100379	2	2	Screw
8	5211201	1	1	Lockwasher, Shakeproof	19	5103996	1	1	Lockwasher, Shakeproof
9	9025889	1	-	Light Channel	20	5103997	2	2	Lockwasher, Shakeproof
	9025890	-	1	Light Channel					



**ELECTRICAL SYSTEM COMPONENTS - (CONT'D)**  
**OPTIONAL CANOPY LIGHT ASSEMBLIES - N3PL/N3PH**  
**2-Row Light (800MA & T-8)**



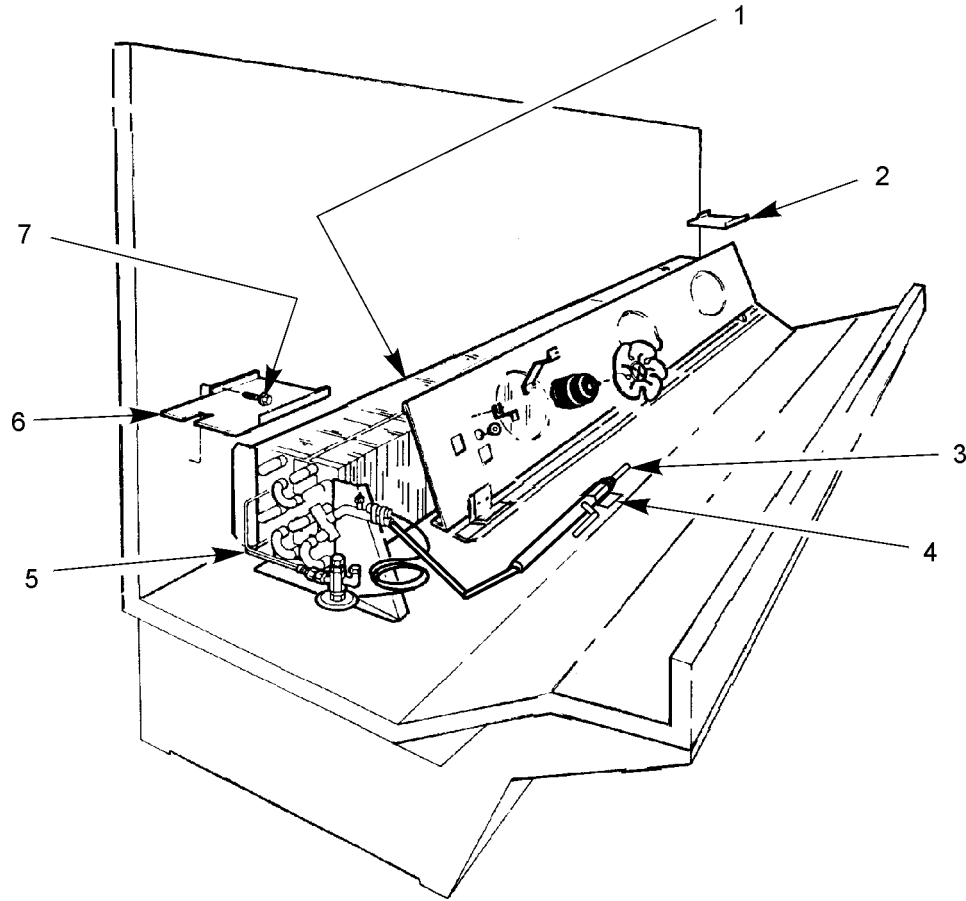
**8' and 12' Merchandiser**

Item	Part No.	Quantity		Description	Item	Part No.	Quantity		Description
		8'	12'				8'	12'	
*	9027734	1	-	2-Row 800MA Light Channel Assy.	7	----	1	1	Nut (furn. w/ item 6)
*	9027733	-	1	1-Row 800MA Light Channel Assy.	8	5211201	1	1	Lockwasher, Shakeproof
*	9025992	1	-	2-Row T-8 Light Channel Assy.	9	9025889	1	-	Light Channel (800MA)
*	9025993	-	1	1-Row T-8 Light Channel Assy.		9025890	-	1	Light Channel (800MA)
1	5049140	1	1	Ballast, 2-Lamp (800MA)		9025887	1	-	Light Channel (T-8)
	5966635	4	-	Ballast, 4-Lamp (T-8)		9025888	-	1	Light Channel (T-8)
	5994030	-	2	Ballast, 3-Lamp (T-8)	10	5614628	2	4	Lampholder, Telescopic
2	5100661	2	4	Nut (800MA)		5614629	2	4	Lampholder, Stationary
	5100661	8	4	Nut (T-8)		5232279	8	12	Lampholder (T-8)
	5100100	2	4	Lockwasher (800MA)	11	----	2	4	Fluorescent Lamp, F96T12HO
	5100100	8	4	Lockwasher (T-8)		----	4	6	Fluorescent Lamp (T-8)
3	5100973	2	4	Washer (800MA)	12	5214107	4	8	Screw
	5100973	8	4	Washer (T-8)	13	----	1	1	Washer (furn. w/ item 6)
4	5111198	1	1	Nut	14	----	1	1	Nut (furn. w/ item 6)
5	5211734	2	2	Connector, 90°	15	5185153	1	1	Screw
	9027302	1	1	Light Switch Harness	16	5100379	2	4	Screw (800MA)
6	5100565	1	1	Toggle Switch, SPST		5100379	8	4	Screw (T-8)
					17	5211201	1	1	Lockwasher, Shakeproof
					18	5103997	2	4	Lockwasher (800MA)
						5103997	8	4	Lockwasher (T-8)





# REFRIGERATION SYSTEM COMPONENTS COIL ASSEMBLIES - N3PL/N3PH

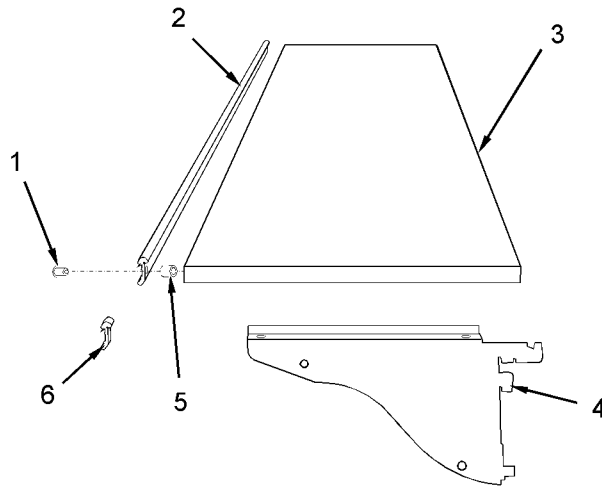


## 8' and 12' Merchandiser

Item	Part No.	Quantity		Description
		8'	12'	
1	5221639	1	-	Coil Fitting Assy.
	5221641	-	1	Coil Fitting Assy.
2	5221646	1	1	RH Coil Close-off
	5183536	2	2	Screw
3	5224258	1	1	Heat Exchanger Kit
	5630401	1	1	Heat Exchanger
4	5199097	1	1	Heat Exchanger Support
	5147702	1	1	Clamp
	5183536	1	1	Screw
5	5235414	1	1	Distributor & Lines Assy.
6	5221647	1	1	LH Coil Close-off
7	5183536	2	2	Screw
<b>Optional Solenoid Valves:</b>				
-	5191445	1	1	Solenoid Valve, 5/8"
-	5191446	1	1	Solenoid Valve, 7/8"
-	5200225	1	1	Solenoid Valve, 1/2"



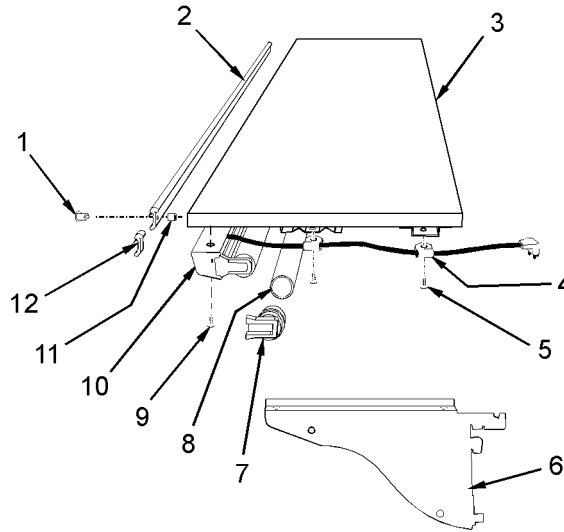
**OPTIONAL CASE ACCESSORIES**  
**SHELF ASSEMBLIES - N3PL/N3PH**  
 Optional 15" & 18" Shelves w/o Lights



Item	Part No.	Qty.	Description	Item	Part No.	Qty.	Description
*	5619373	1	Solid Shelf Assy., 15" x 48" PTD	*	5184620	1	Shelf Bench Assy., 18" x 48" PTD
*	5955921	1	Solid Shelf Assy., 15" x 48" MM/SS	*	5955917	1	Shelf Bench Assy., 18" x 48" MB/SS
*	9021262	1	Solid Shelf Assy., 15" x 48" BRT/SS	*	5619374	1	Shelf Bench Assy., 18" x 48" BRT/SS
*	5619374	1	Solid Shelf Assy., 18" x 48" PTD	3	5220612	1	15" x 48" Shelf, PTD
*	5955922	1	Solid Shelf Assy., 18" x 48" MB/SS		5950571	1	15" x 48" Shelf, MB/SS
*	5957493	1	Solid Shelf Assy., 18" x 48" BRT/SS		5944622	1	15" x 48" Shelf, BRT/SS
1	5144974	4	Rivet		5220613	1	18" x 48" Shelf, PTD
2	5236879	1	Narrow Card Molding		5950572	1	18" x 48" Shelf, MB/SS
*	5220638	1	Shelf Bench Assy., 15" x 48" PTD		5944623	1	18" x 48" Shelf, BRT/SS
*	5955916	1	Shelf Bench Assy., 15" x 48" MM/SS	4	5185810	1	RH 15" Shelf Bracket, PTD
*	9027460	1	Shelf Bench Assy., 15" x 48" BRT/SS		5185811	1	LH 15" Shelf Bracket, PTD
					5088412	1	RH 18" Shelf Bracket, MB/SS
					5088413	1	LH 18" Shelf Bracket, MB/SS
				5	5127438	4	Spacer
				6	5941919	1	Card Molding Joint Trim



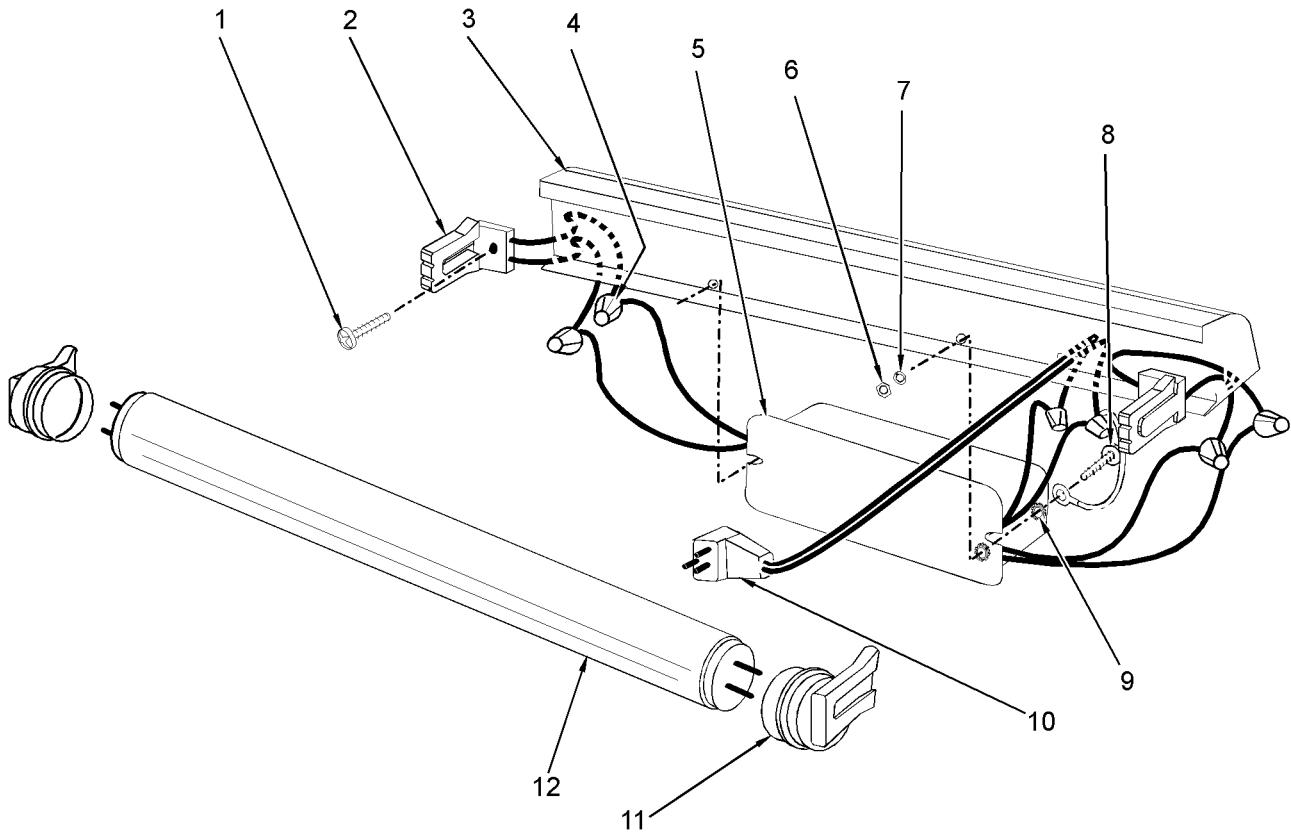
OPTIONAL CASE ACCESSORIES - (CONT'D)  
 SHELF ASSEMBLIES - N3PL/N3PH  
 Optional 15" & 18" Shelves w/ T-8 Lights



Item	Part No.	Qty.	Description	Item	Part No.	Qty.	Description
*	9020935	1	Solid Lighted Shelf Assy., 15" x 48" PTD	*	9027456	1	Lighted Shelf Bench Assy., 18" x 48" BRT/SS
*	9021274	1	Solid Lighted Shelf Assy., 15" x 48" MB/SS	*	9027356	1	Lighted Shelf Bench Assy., 18" x 48" WPC
*	9021266	1	Solid Lighted Shelf Assy., 15" x 48" BRT/SS	*	9027361	1	Lighted Shelf Bench Assy., 18" x 48" BPC
*	9021250	1	Solid Lighted Shelf Assy., 15" x 48" WPC	3	5220612	1	15" x 48" Shelf, PTD
*	9021258	1	Solid Lighted Shelf Assy., 15" x 48" BPC		5950571	1	15" x 48" Shelf, MB/SS
*	9020936	1	Solid Lighted Shelf Assy., 18" x 48" PTD		5944622	1	15" x 48" Shelf, BRT/SS
*	9021275	1	Solid Lighted Shelf Assy., 18" x 48" MB/SS		5237745	1	15" x 48" Shelf, WPC
*	9021267	1	Solid Lighted Shelf Assy., 18" x 48" BRT/SS		5643509	1	15" x 48" Shelf, BPC
*	9021251	1	Solid Lighted Shelf Assy., 18" x 48" WPC		5220613	1	18" x 48" Shelf, PTD
*	9021259	1	Solid Lighted Shelf Assy., 18" x 48" BPC		5950572	1	18" x 48" Shelf, MB/SS
1	5144974	4	Rivet		5944623	1	18" x 48" Shelf, BRT/SS
2	5236879	1	Narrow Card Molding		5237746	1	18" x 48" Shelf, WPC
*	9026106	1	Lighted Shelf Bench Assy., 15" x 48" PTD		5643510	1	18" x 48" Shelf, BPC
*	9027445	1	Lighted Shelf Bench Assy., 15" x 48" MB/SS	4	5100902	2	Clip
*	9227455	1	Lighted Shelf Bench Assy., 15" x 48" BRT/SS	5	5619204	2	Screw
*	9027355	1	Lighted Shelf Bench Assy., 15" x 48" WPC	6	5185810	1	RH 15" Shelf Bracket, PTD
*	9027360	1	Lighted Shelf Bench Assy., 15" x 48" BPC		5185811	1	LH 15" Shelf Bracket, PTD
*	9026107	1	Lighted Shelf Bench Assy., 18" x 48" PTD		5088412	1	RH 18" Shelf Bracket, MB/SS
*	9027446	1	Lighted Shelf Bench Assy., 18" x 48" MB/SS		5088413	1	LH 18" Shelf Bracket, MB/SS
				7	5981627	2	Lampshield Caps
				8	5981622	1	Lampshield, T-8 46"
				9	5183536	3	Screw
				10	9026104	1	Light Channel Assy., PTD
					9027391	1	Light Channel Assy., MB/SS
					9027390	1	Light Channel Assy., BRT/SS
					9025984	1	Light Channel, PTD
					9027486	1	Light Channel, MB/SS
					9027487	1	Light Channel, BRT/SS
					9027906	1	Shelf Harness (furn. w/ wired lampholders)
					5217544	2	Lampholders (replacement only)
				11	5127438	4	Spacer
				12	5941919	1	Card Molding Joint Trim



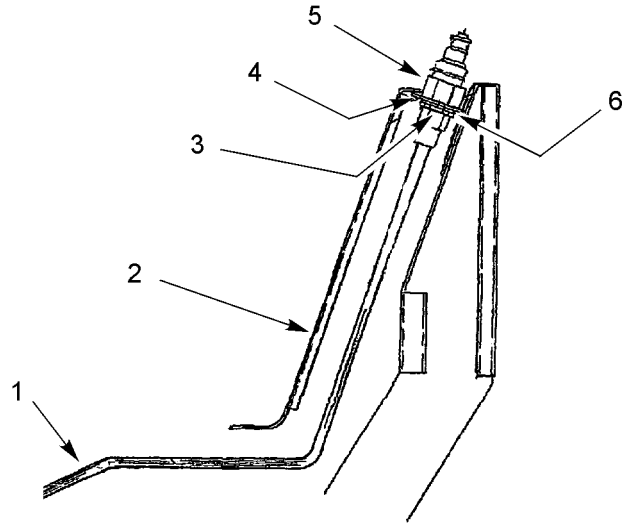
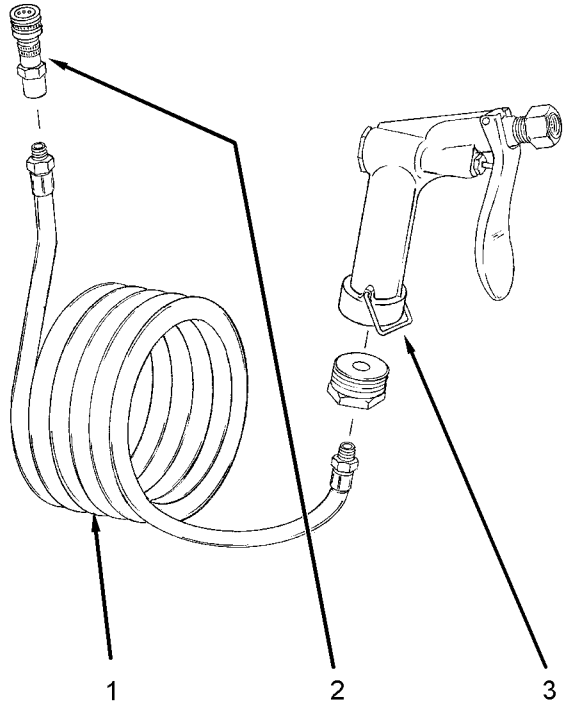
OPTIONAL CASE ACCESSORIES - (CONT'D)  
 SHELF ASSEMBLIES - N3PL/N3PH  
 Optional T-8 Shelf Light Assembly



Item	Part No.	Qty.	Description	Item	Part No.	Qty.	Description
1	5214107	2	Screw		5100379	4	Screw
2	5232279	2	Lampholder		5100970	4	Washer
3	9025984	1	Shelf Light Channel	6	5111198	1	Nut
4	5106239	14	Wire Nuts	7	5100387	2	Lockwasher
5	<b>9026004</b>	1	<b>Ballast Assy.</b>	8	5185153	1	Screw
	9025999	1	Ballast Bracket	9	5103997	1	Lockwasher
	5991030	2	Ballast, 3-Lamp	10	9027906	1	Light Channel Harness
	5101000	4	Lockwasher	11	5981627	2	Lampholder Cap
	5103997	4	Lockwasher	12	5981622	1	Lampshield
	5100661	4	Nut		----	1	Lamp



OPTIONAL CASE ACCESSORIES - (CONT'D)  
 WATER STATION COMPONENTS - N3PL/N3PH

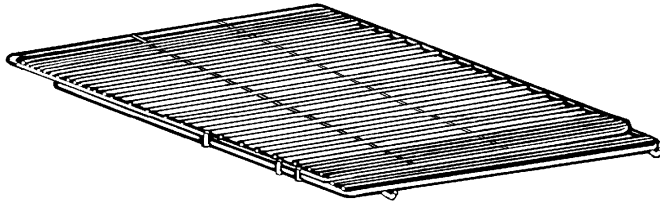


Item	Part No.	Qty.	Description
*	5052302	1	12' Spray Hose Assy.
*	5208314	1	24' Spray Hose Assy.
*	5996515	1	30' Spray Hose Assy.
1	5195920	1	12' Hose
	5208315	1	24' Hose
2	5195921	1	Female Socket
3	5925354	1	Spray Nozzle

Item	Part No.	Qty.	Description
*	5954223	1	Duct and Water Station Assy.
1	5954222	1	Water Station
2	5199678	1	Front Duct
	5183536	2	Screw
3	5061934	1	Lock Nut, 3/8" Pipe Thread
4	5199680	1	Nipple Support Bracket
5	#110	A/R	Pipe Joint Cement
6	5057183	1	Brass Washer, 3/8"

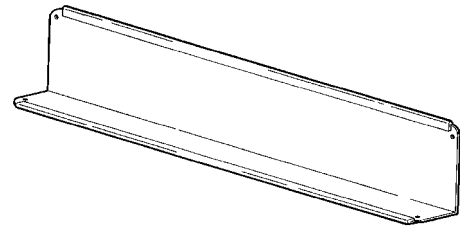


## OPTIONAL CASE ACCESSORIES - (CONT'D) SCREENS AND DIVIDERS



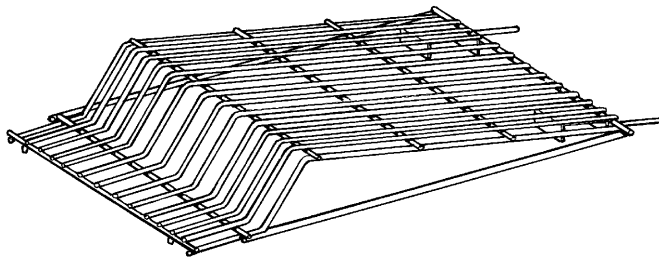
### Adjustable Telescoping Screen

Item	Part No.	Quantity		Description
		8'	12'	
-	5946773	4	6	Telescoping Screen, WPC



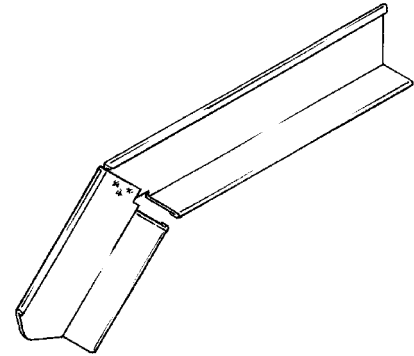
### Optional "L" Divider

Item	Part No.	Qty.	Description
-	5959491	1	"L" Divider, WHT (17"D x 4"H)
-	5950615	1	"L" Divider, GRN (14"D x 4"H)
-	5950616	1	"L" Divider, GRN(17"D x 4"H)



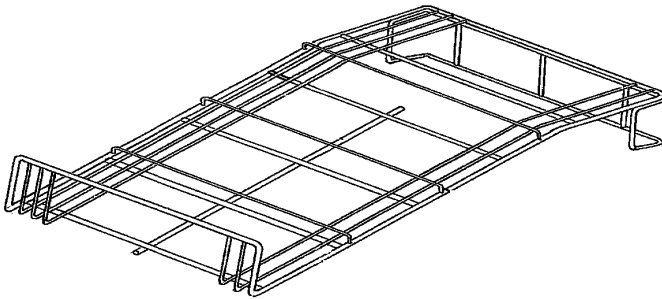
### Optional Hump Screen

Item	Part No.	Qty.	Description
-	5953739	1	7" Hump Screen, WPC



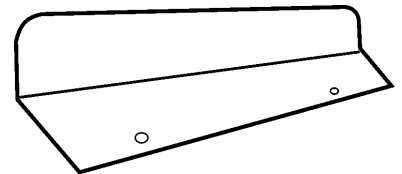
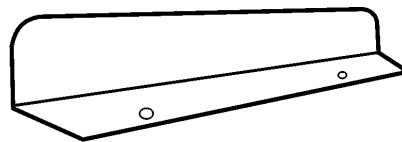
### Optional Hump Screen Divider

Item	Part No.	Qty.	Description
-	5980911	1	7" Hump Screen Divider, GRN



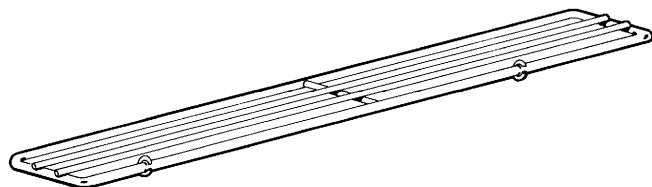
### Optional Step Screen

Item	Part No.	Qty.	Description
-	5983353	1	Step Screen w/ 5 1/2" Lip, GPC



### Optional Screen Divider Assemblies

Item	Part No.	Qty.	Description
-	5951527	1	7" Hump Screen Divider Assy. w/ Clip
-	5951524	1	130° Angled Screen Divider Assy. w/ Clip



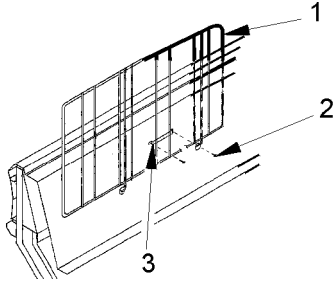
### Optional 2 1/2" Screen Extension

Item	Part No.	Qty.	Description
-	5103675	1	2 1/2" Screen Extension, WPC



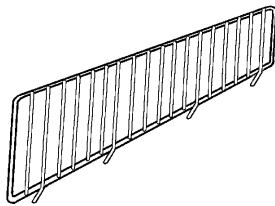
# OPTIONAL CASE ACCESSORIES - (CONT'D)

## FENCES, TRAYS, POLE SCALE AND SERVICE BELL



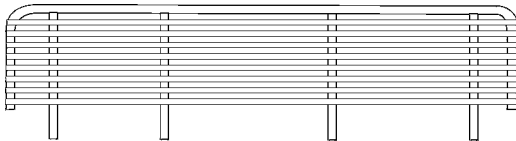
### Optional Return Air Wire Fence

Item	Part No.	Qty.	Description
*	5801157	1	3" Ret. Air Fence, SPC
1	5630386	2	Wire Fence, SPC (6" x 48")
2	5619204	12	Screw
3	5200333	6	Front Fence Retainer



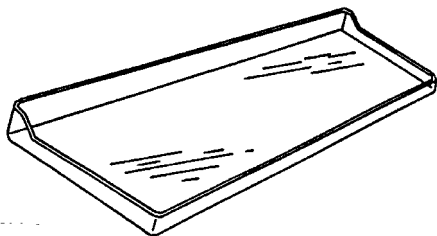
### Optional 6" Angled Front Wire Fences

Item	Part No.	Qty.	Description
-	9035971	1	Angled Fence, WPC (6" x 48")
-	9040824	1	Angled Fence, SPC (6" x 48")
-	9040825	1	Angled Fence, BPC (6" x 48")
-	9040826	1	Angled Fence, GPC (6" x 48")



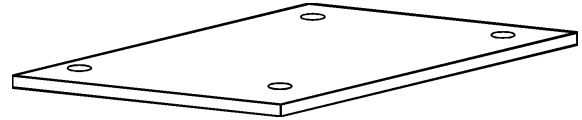
### Optional 10" Front Wire Fence

Item	Part No.	Qty.	Description
-	9040962	1	Wire Fence, BPC (10" x 48")



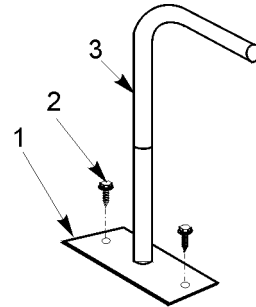
### Optional Shelf Tray

Item	Part No.	Qty.	Description
-	5605365	1	15" Closed End Tray, PETG
-	5605366	1	18" Closed End Tray, PETG



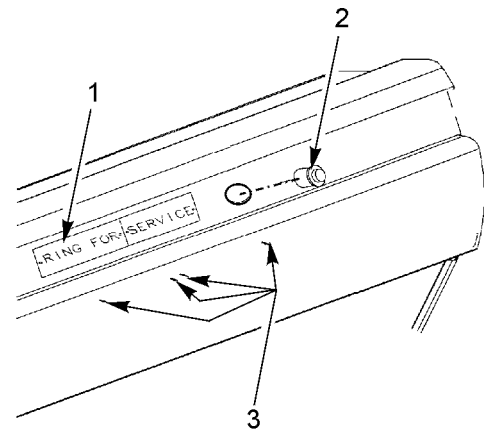
### Optional Bottom Trays & Ice Trays

Item	Part No.	Quantity		Description
		8'	12'	
-	5198918	4	6	STD Bottom Tray
-	5801869	4	6	Bottom Tray, BRT SS
-	5959852	4	6	Ice Tray, BRT SS
-	5989772	4	6	Ice Tray, MB SS



### Optional Canopy Pole Scale

Item	Part No.	Qty.	Description
*	9026343	1	Pole Scale Assy.
1	5945422	1	Hanger Support
2	1309067	2	Screw
3	5946862	1	Scale Pole

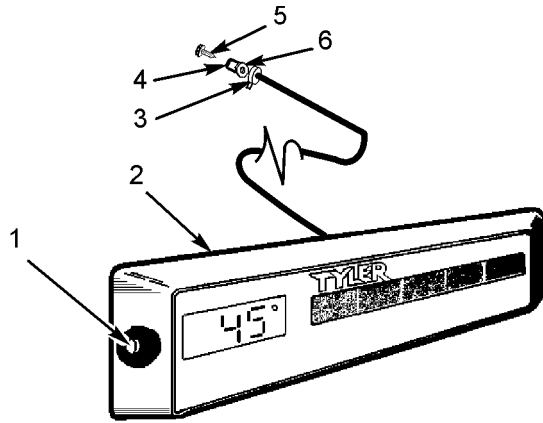


### Optional Service Bell

Item	Part No.	Qty.	Description
*	9022455	1	Ring Bell for Service Assy.
1	9023204	1	Label, Ring for Service
2	5990680	1	Push Button
3	5104702	4	Rivet
	5990681	1	Connector Fork
	5202215	2	Bushing, 7/8" Snap

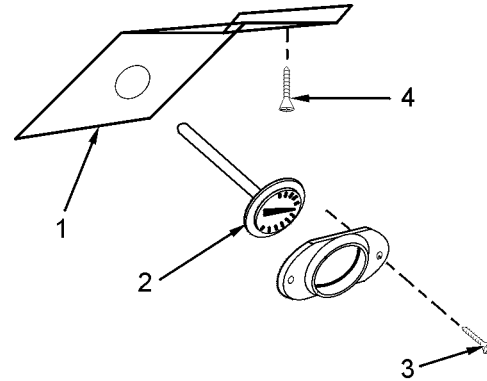


# OPTIONAL CASE ACCESSORIES - (CONT'D) THERMOMETERS



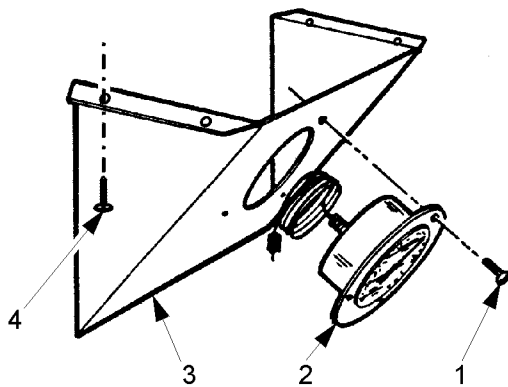
### Digital Solar Thermometer

Item	Part No.	Qty.	Description
*	5230902	1	Digital Thermometer Assy., °F
*	5988307	1	Digital Thermometer Assy., °C
1	5230884	2	Screw
2	5239500	1	Digital Thermometer, °F
	5239501	1	Digital Thermometer, °C
3	5100902	1	Clip
4	5127438	2	Spacer
5	5185153	1	Screw
6	5111198	1	Nut



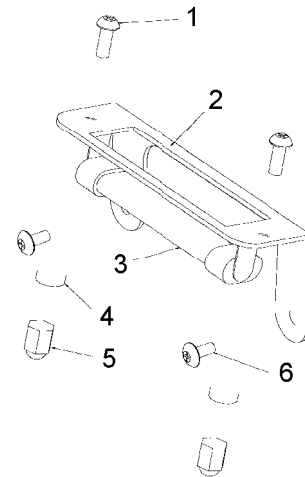
### 1" Dial Thermometer

Item	Part No.	Qty.	Description
*	5627046	1	1" Dial Thermometer Assy.
1	5204469	1	Thermometer Support
2	5203829	1	1" Dial Thermometer
	----	1	Mounting Ring (furn. w/ thermometer)
3	5219883	2	Screw
4	5048626	2	Screw



### 2" Dial Thermometer, Top Shelf

Item	Part No.	Qty.	Description
*	5081504	1	2" Dial Thermometer Assy., Top Shelf
1	5111242	2	Screw
2	5204006	1	2" Dial Thermometer
3	5204762	1	Thermometer Housing
4	5199134	4	Screw



### Standard Thermometer

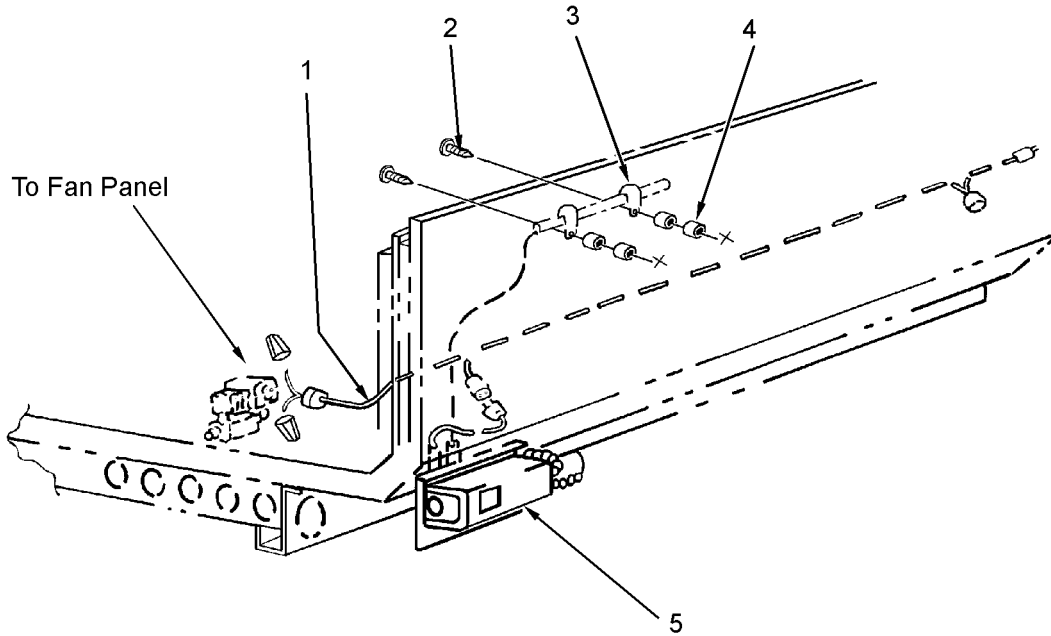
Item	Part No.	Qty.	Description
*	9044991	1	Pencil Thermometer Assy.
1	5208265	2	Screw
2	9044990	1	Thermometer Bracket
3	5967100	1	Pencil Thermometer
4	5103997	2	Lockwasher - SHKPRF
5	5223244	2	Acorn Nut
6	5102643	2	Screw





# OPTIONAL CASE ACCESSORIES - (CONT'D) THERMOSTATS

## Optional Thermostat Wired to Solenoid



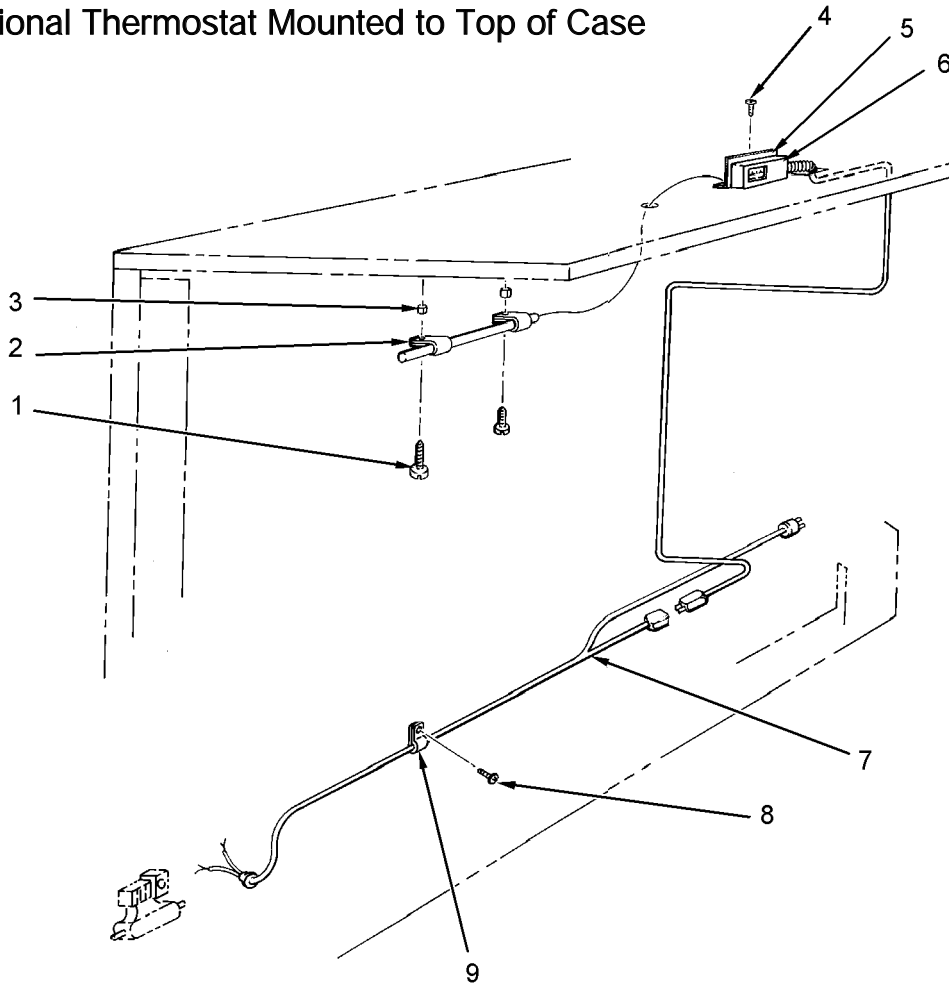
---

Item	Part No.	Qty.	Description
*	5216236	1	Thermostat Assy., Wired to Solenoid
1	5210359	1	Solenoid Harness
2	5053985	2	Screw
3	5106713	2	Tubing Clip
4	5127438	4	Spacer
5	5200442	1	Mounting Bracket
	5120943	7	Screw
	5218080	1	Thermostat Assy., Wired



# OPTIONAL CASE ACCESSORIES - (CONT'D) THERMOSTATS

## Optional Thermostat Mounted to Top of Case



---

Item	Part No.	Qty.	Description
*	<b>5948177</b>	<b>1</b>	<b>Thermostat Assy., Top Mounted</b>
1	5053985	2	Screw
2	5106713	2	Tubing Clip
3	5127438	4	Spacer
4	5120943	7	Screw
5	5200442	1	Mounting Bracket
<b>6</b>	<b>5238828</b>	<b>1</b>	<b>Thermostat Assy., Wired</b>
7	5210359	1	Solenoid Harness
8	5120943	3	Screw
9	5106713	3	Tubing Clip