

## SPECIFICATION SHEET

### • N3PH WATERFALL BULK PRODUCE WEDGE MERCHANDISERS •

**Refrigeration Data:**

MODEL	CASE LENGTH	CASE USAGE	CAPACITY (BTUH / CASE)		EVAPORATOR (°F)	UNIT SIZING (°F)	DISCHARGE AIR		AVG. REF. CHARGE (LBS/CASE)
			PARALLEL	CONVENTIONAL			TEMPERATURE (°F)	VELOCITY (FPM)	
N3PH45IS	51-5/16"	BULK PRODUCE	1,712*	1,868*	+20**	+18	+38	N/A***	1.17
N3PH45OS	56-13/16"	BULK PRODUCE	3,381*	3,688*	+20**	+18	+38	N/A***	1.17

\* Capacity data listed for compact canopy lights, elevating bottom tray and a 23" mirror. For sizing all refrigeration equipment other than TYLER, use conventional BTUH values.

\*\* Evaporator temperature is based on the saturated pressure leaving the case.

\*\*\* Air velocity measured 1 hour after defrost at the top discharge air duct using an ALNOR JR. velometer with a scoop.

FOR SPECIFIC COMPRESSOR SIZING INFORMATION, REFER TO TYLER APPLICATIONS FOR RACK SYSTEM COMPRESSORS AND/OR THE COMPRESSOR MANUFACTURERS FOR SINGLE COMPRESSORS. FOR LINE SIZING INFORMATION, REFER TO THE MISCELLANEOUS SECTION "BUFF" IN THE TYLER SPECIFICATION GUIDE.

**Electrical Data:**

Fans and Heaters (120 Volt)

MODEL	CASE LENGTH	FANS / CASE	TOTAL STANDARD FANS		TOTAL ECM FANS		DISCHARGE AIR ANTI-SWEATS	
			AMPS	WATTS	AMPS	WATTS	AMPS	WATTS
N3PH45IS	51-5/16"	1	0.34	30.2	N/A	N/A	0.7	8.2
N3PH45OS	56-13/16"	1	0.34	30.2	N/A	N/A	0.7	8.2

Compact Lighting with Electronic Ballasts (120 Volt)

MODEL	CASE LENGTH	CANOPY LIGHTS	
		AMPS	WATTS
N3PH45IS	51-5/16"	0.30	36.0
N3PH45OS	56-13/16"	0.34	38.0

**Defrost Data:**

DEFROST TYPE*	DEFROSTS PER DAY	DURATION TIME (MIN)	BACKUP PRESSURE SETTINGS*		EPR SETTINGS **		DEFROST WATER (LB / DAY)
			CUT IN	CUT OUT	R22 (PSIG)	R404A (PSIG)	
TIME OFF	3	40**	40# @ R22	30# @ R22	43	56	N/A

\* Used with Thermostat or EPR Control.

\*\* Set EPR to give this pressure at the case.

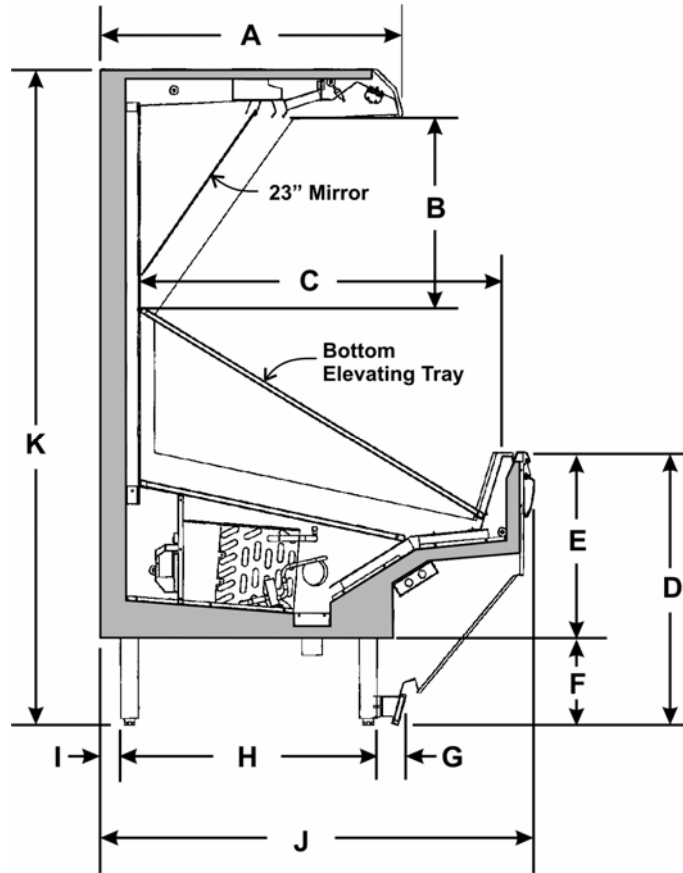
**MIRROR NOTES:** 23" mirror is standard with two elevating bottom trays. There is no shelving available on the N3PH wedge cases

**UL SANITATION** approved in accordance with ANSI/NSF - 7.

**CASE BTUH REQUIREMENTS** are calculated to produce approximately the indicated entering-air temperature with absolute maximum operating ambient limits of **75°F & 55RH**.

The information contained herein is based on technical analysis and/or tests performed in a controlled lab environment that are consistent with industry practices, and is intended as a reference for system sizing and configuration purposes only and for use by persons having technical skill at their own discretion and risk. Conditions of use are outside of Tyler's control and we do not assume and hereby disclaim any liability for results obtained or damages incurred through application of or reliance on the data presented, including but not limited to specific energy consumption with any particular model or installed application. SPECIFICATIONS ARE SUBJECT TO CHANGE WITHOUT NOTICE.

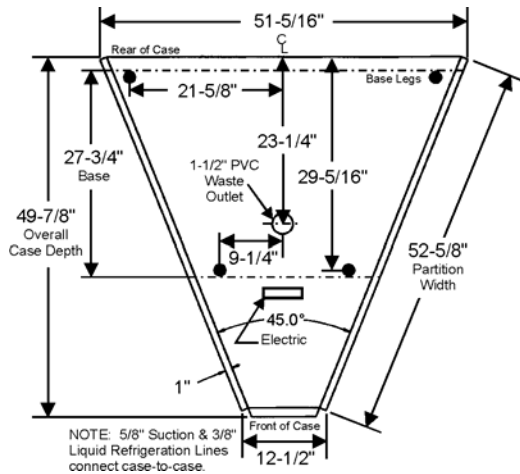
**N3PH PRODUCE WEDGE CROSS SECTION**



**Dimensional Specifications:**

MODEL	A	B	C	D	E	F	G	H	I	J	K
N3PH45IS	28-3/8"	21-1/16"	40-5/8"	30-1/2"	20-13/16"	9-13/16"	3-1/4"	27-3/4"	1-3/4"	49-7/8"	73-1/2"
N3PH45OS	28-5/16"	21-1/16"	40-5/8"	30-1/2"	20-13/16"	9-3/4"	3-1/4"	26-13/16"	2-1/8"	49-7/8"	73-1/2"

**N3PH45IS FLOOR PLAN**



**N3PH45OS FLOOR PLAN**

