

N4P and N4PHP merchandisers can accept up to three additional levels for a total of four decks of display capacity in the presentation of bulk or critical temperature packaged produce. A standard 23" mirror creates a "waterfall" look to enhance product presentations.



High Performance TC Coil™

High Performance (HP) Merchandisers feature our patented TC Coil™ design, which represents a major technology breakthrough for the commercial refrigeration industry. Developed jointly by Carrier Corporation and Tyler, the TC Coil™ enables HP merchandisers to operate more efficiently, providing energy savings that allow faster payback periods for food retailers.

Note: For more information about Tyler high performance display merchandisers featuring TC Coil™, go to the Technologies section of this catalog on page 8.

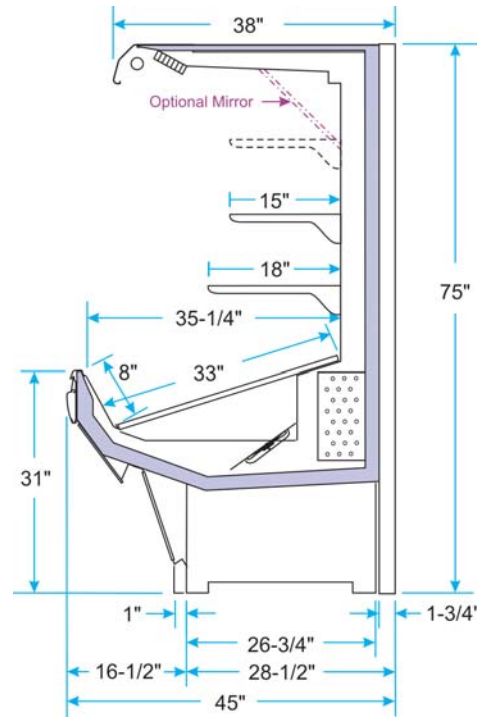
Features & Benefits

- Energy-efficient copper tube and aluminum fin coils.
- One row of energy efficient T8 canopy lights with electronic ballasts provide appealing product illumination. Hinged light channel allows easy access to ballasts.
- Adjustable white powder-coated display screens and 23" mirror enhance product presentation.
- Solid steel base adds strength and durability.
- Easily removable interior components enhance ease of sanitation.
- Fan assembly design allows access to coil and drain pan.
- Off-cycle defrost.

Options

- ECM fan motors for additional energy savings.
- Second row of T8 canopy lights and T8 shelf lighting with remote electronic ballasts provide greater product illumination.
- 16", 23" or 30" mirrors enhance product presentation.
- Multiple-depth shelving alternatives.
- 3 or 6 position shelf brackets for varied shelf display angles.

Specifications are subject to engineering changes without notice.



Model	Case Length	Description	Capacity in Cubic Feet*
N4P	8' • 12'	Vertical, Multi-Deck Bulk Produce, standard coil	47.9 • 71.9
N4PHP	8' • 12'	Vertical, Multi-Deck Bulk Produce, TC Coil	47.9 • 71.9

* Cubic capacity is based on two rows of 15" shelves and one row of 18" shelves.

Optional Accessories



A variety of mirror sizes combined with multiple depth lighted or unlighted shelving adds merchandising flexibility.

