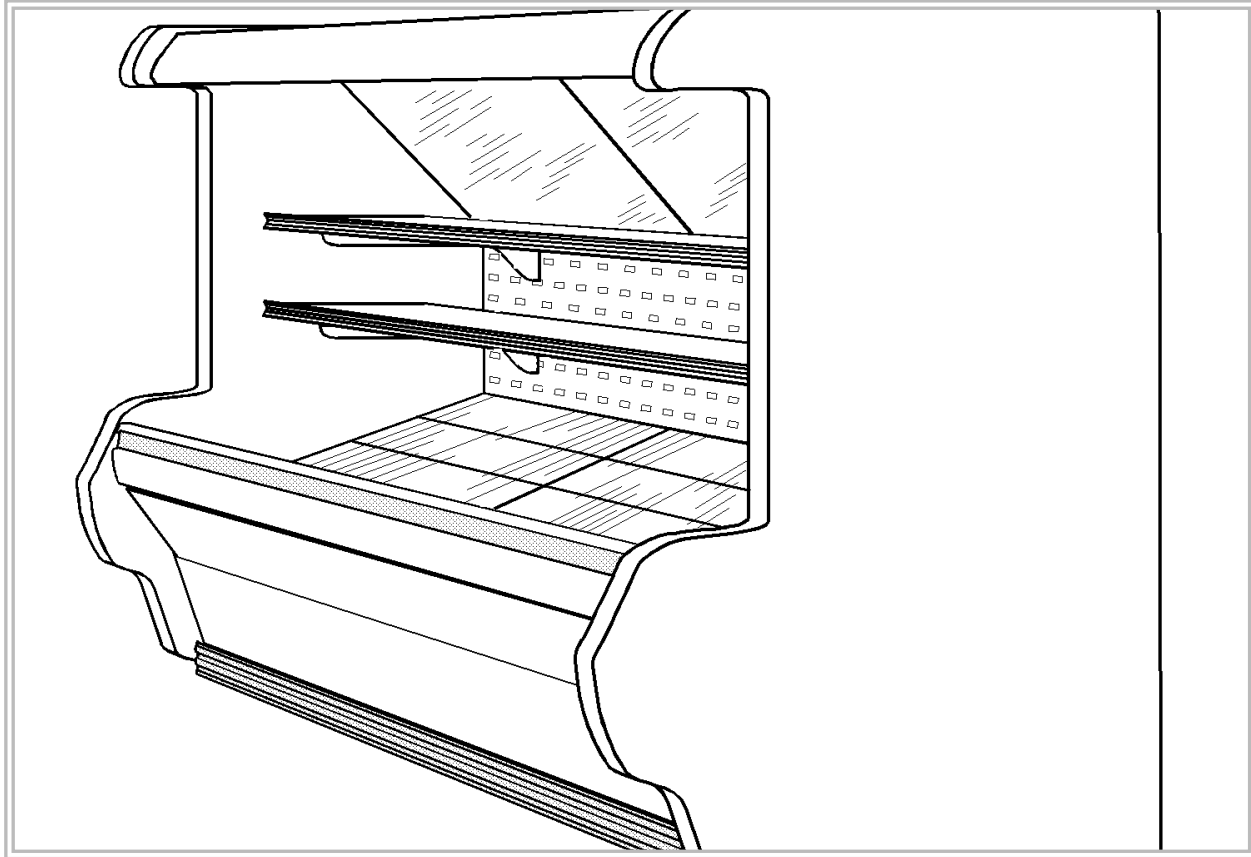


Replacement Parts ^{series} Advantage



Multi-Shelf High-Back Produce Merchandiser

Production began October 27, 2000

9000610	N5P8	Med-Temp	8' Multi-Shelf Produce Merchandiser
9000611	N5P12	Med-Temp	12' Multi-Shelf Produce Merchandiser

N5P



Issue date: OCTOBER 2000

Replaces issue:

Part number: 9037191

Revision:

Tyler Refrigeration Corporation Niles, MI 49120
Parts information subject to change without notice
Printed in U.S.A.



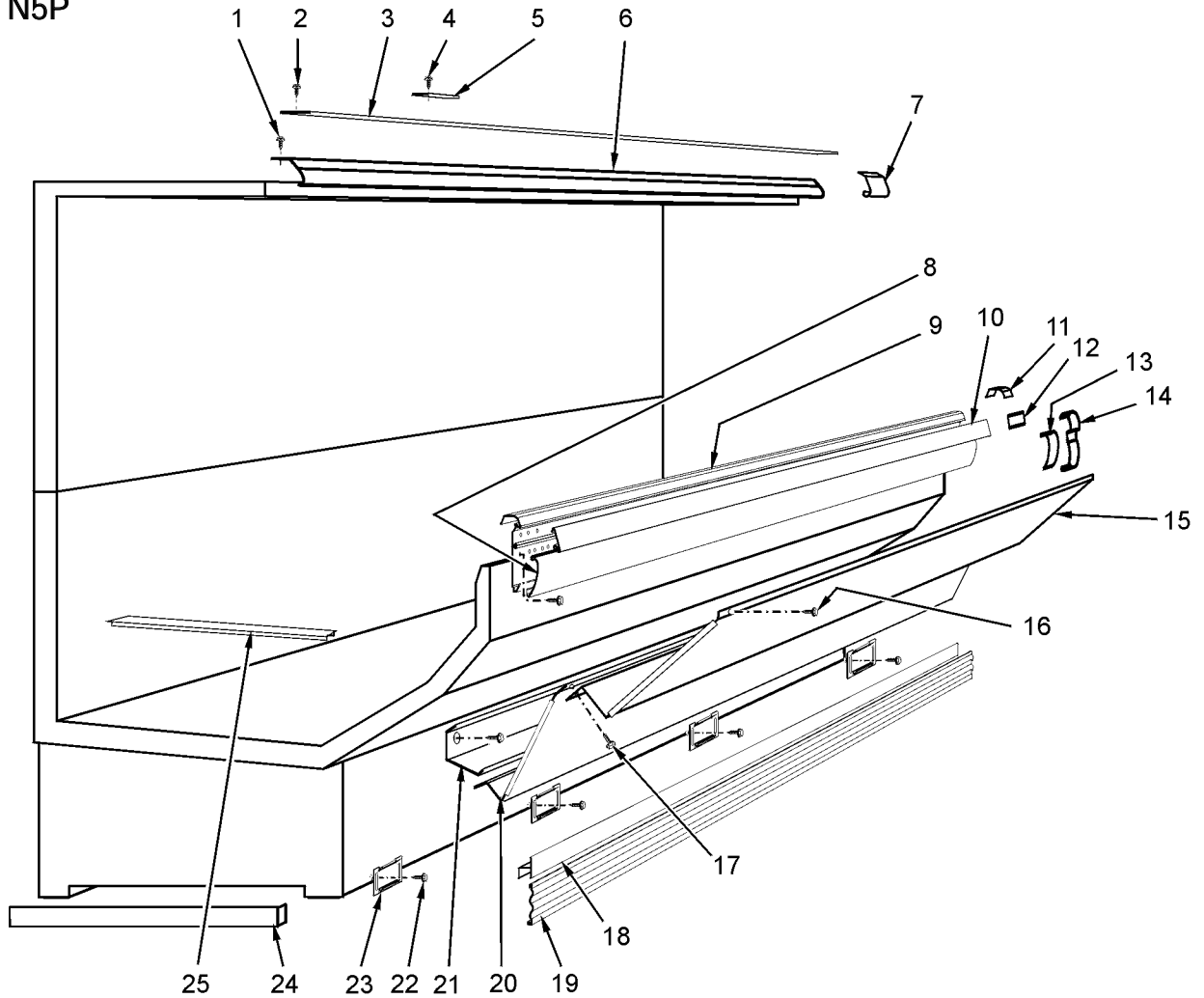
CONTENTS

	<u>Page</u>
Cladding, Covers and Trims	C1-C3
Structural Components	
Top Shelf	S1
Canopy Light	S2
Ducts and Panels	S3
Z-Bars	S4
Patch Ends, Partitions and Dividers	
Solid Patch Ends	S5-S10
1" Solid Partition	S11
Floating Plexiglas Divider	S12
Optional Produce Extender	S13, S14
Electrical System Components	
Wiring Harnesses	
Wiring and Components	E1
Fan Systems	E2
Refrigeration System Components	
Coil Assemblies	R1
Optional Case Accessories	
Shelf Assemblies	A1, A2
T-8 Shelf Light Assembly	A3
Mirror Assemblies	A4
Water Station Components	A5
Screens, Dividers, Fences and Trays	A6
Thermometers	A7, A8
Thermostats	A9



CLADDING, COVERS AND TRIMS

N5P



8' and 12' Merchandiser

Item	Part No.	Quantity		Description	Item	Part No.	Quantity		Description
		8'	12'				8'	12'	
1	5183536	4	6	Screw	13	+	1	1	Bumper Backer
2	5183536	5	7	Screw	14	+	1	1	Bumper End Trim
3	9026069	1	-	Hood Close-off	15	9025201	1	-	Upper Front Cladding, Ptd.
	9026070	-	1	Hood Close-off		9025202	-	1	Upper Front Cladding, Ptd.
4	5183536	8	8	Screw	16	5048626	3	3	Screw
5	9026103	2	2	Top Pullup Cover	17	5183536	6	8	Screw
6	9025223	1	-	Canopy Hood, Ptd.	18	+	1	1	Kickplate Extension [Optional]
	9025224	-	1	Canopy Hood, Ptd.	19	+	1	1	Kickplate
7	9025983	1	1	Canopy Hood Backer		9041790	1	1	Kickplate Backer
	5199134	4	4	Screw	20	9025203	1	-	Lower Front Cladding, Ptd.
8	+	1	1	Bumper		9025204	-	1	Lower Front Cladding, Ptd.
9	+	1	1	Bumper Retainer	21	9025127	1	-	Raceway
	9025833	16	24	Screw		9025128	-	1	Raceway
10	9023798	1	-	Color Band, Ptd.	22	5183536	8	8	Screw
	9023800	-	1	Color Band, Ptd.	23	9041329	4	4	Kickplate Support
11	9025316	1	1	Bumper Retainer Backer, Ptd.	24	9022459	1	1	LH End Base Close-off
12	9040223	1	1	Color Band Backer, Ptd.		9022466	1	1	RH End Base Close-off
						5048626	6	6	Screw
					25	9025959	1	1	Horizontal Joint Trim

+ See pages C2 and C3 for parts breakdown per color.



CLADDING, COVERS AND TRIMS - (CONT'D)

N5P - 8'

**Bumper Retainer [Item 9]
Without Partition
(96.062"):**

Part No.	Color
9025421	Pearly Gates
9025491	White
9025504	Bone White
9025517	Misty Gray
9025530	Pearl
9025543	Oatmeal
9025557	Soft Sand
9025570	Chromium
9025583	Cool Gray
9025596	Oyster
9025609	Black
9028935	Steel Gray
9031792	Chocolate
9031819	Mocha
9031873	Stone

**With Partition
(97.062"):**

Part No.
9301760
9026949
9026950
9026951
9026952
9026953
9026954
9026955
9026956
9026957
9026958
9028937
9031794
9031821
9031875

Bumper End Trim [Item 14]

Part No.	Color
9027220	White
9027221	Bone White
9027222	Misty Gray
9027223	Pearl
9027224	Oatmeal
9027225	Soft Sand
9027226	Chromium
9027227	Cool Gray
9027228	Oyster
9027229	Black
9028882	Steel Gray
9029093	Pearly Gates
9034333	Chocolate
9034334	Mocha
9034335	Stone
9023195	RH Bmpr Pusher Brkt
9028082	LH Bmpr Pusher Brkt
5053985	Screw (2 per brkt)

Bumper Backer [Item 13]

Part No.	Color
9025023	White
9025028	Bone White
9025035	Misty Gray
9025038	Pearl
9025041	Oatmeal
9025079	Pearly Gates
9025253	Soft Sand
9025258	Chromium
9025265	Cool Gray
9025268	Oyster
9025271	Black
9028883	Steel Gray
9031884	Chocolate
9031885	Mocha
9031886	Stone

**Bumper [Item 8]
Without Partition
(96.062"):**

Part No.	Color
9025036	White
9025067	Pearly Gates
9025266	Bone White
9025287	Misty Gray
9025308	Pearl
9025329	Oatmeal
9025350	Soft Sand
9025371	Chromium
9025392	Cool Gray
9025413	Oyster
9025434	Black
9028905	Steel Gray
9031687	Chocolate
9031724	Mocha
9031761	Stone

**With Partition
(97.062"):**

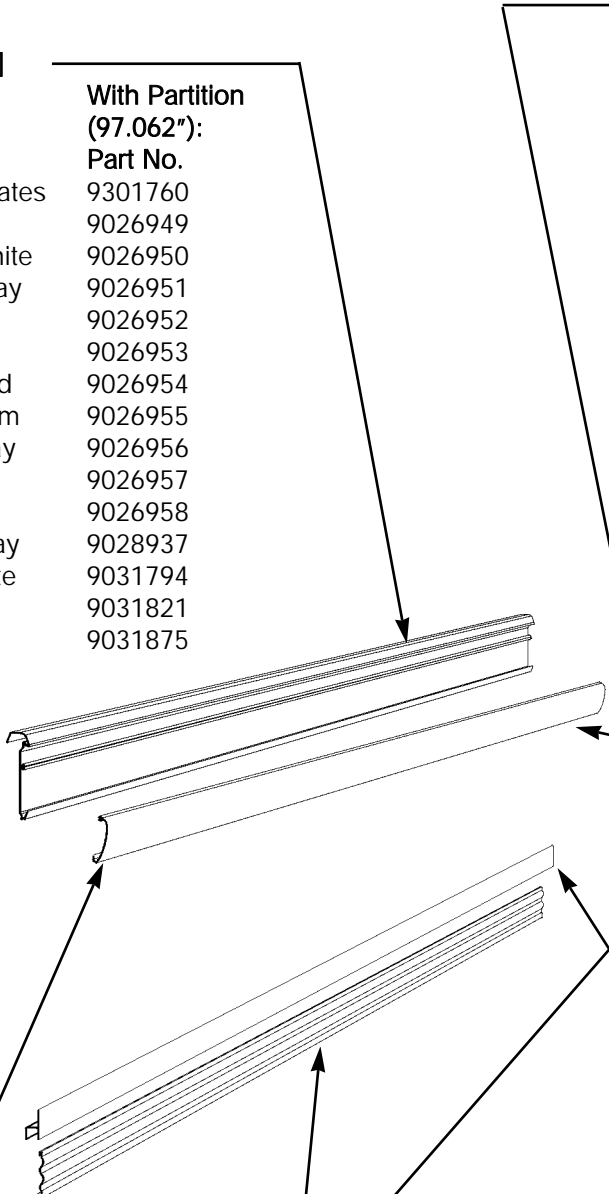
Part No.
9027179
9301745
9027180
9027181
9027182
9027183
9027184
9027185
9027186
9027187
9027188
9028907
9031689
9031726
9031763

Optional Kickplate Extension [Item 18]

Without Partition (96.063")		With Partition (97.063")
Part No.	Color	Part No.
9042868	Cool Gray	9042876
9042869	Black	9042877
9042870	Pearl	9042878
9042871	Steel Gray	9042879

Kickplate [Item 19]

Without Partition (96.063")		With Partition (97.063")
Part No.	Color	Part No.
9041690	Cool Gray	9041700
9041691	Black	9041701
9041692	Pearl	9041702
9041694	Steel Gray	9041704





CLADDING, COVERS AND TRIMS - (CONT'D)

N5P - 12'

**Bumper Retainer [Item 9]
Without Partition
(144.062"):**

Part No.	Color
9025426	Pearly Gates
9025493	White
9025506	Bone White
9025519	Misty Gray
9025532	Pearl
9025545	Oatmeal
9025559	Soft Sand
9025572	Chromium
9025585	Cool Gray
9025598	Oyster
9025611	Black
9028940	Steel Gray
9031797	Chocolate
9031824	Mocha
9031878	Stone

**With Partition
(145.062"):**

Part No.
9301761
9026969
9026970
9026971
9026972
9026973
9026974
9026975
9026976
9026977
9026978
9028942
9031799
9031826
9031880

Bumper End Trim [Item 14]

Part No.	Color
9027220	White
9027221	Bone White
9027222	Misty Gray
9027223	Pearl
9027224	Oatmeal
9027225	Soft Sand
9027226	Chromium
9027227	Cool Gray
9027228	Oyster
9027229	Black
9028882	Steel Gray
9029093	Pearly Gates
9034333	Chocolate
9034334	Mocha
9034335	Stone
9023195	RH Bmpr Pusher Brkt
9028082	LH Bmpr Pusher Brkt
5053985	Screw (2 per brkt)

Bumper Backer [Item 13]

Part No.	Color
9025023	White
9025028	Bone White
9025035	Misty Gray
9025038	Pearl
9025041	Oatmeal
9025079	Pearly Gates
9025253	Soft Sand
9025258	Chromium
9025265	Cool Gray
9025268	Oyster
9025271	Black
9028883	Steel Gray
9031884	Chocolate
9031885	Mocha
9031886	Stone

**Bumper [Item 8]
Without Partition
(144.062"):**

Part No.	Color
9025039	White
9025068	Pearly Gates
9025269	Bone White
9025290	Misty Gray
9025311	Pearl
9025332	Oatmeal
9025353	Soft Sand
9025374	Chromium
9025395	Cool Gray
9025416	Oyster
9025437	Black
9028912	Steel Gray
9031695	Chocolate
9031732	Mocha
9031796	Stone

**With Partition
(145.062"):**

Part No.
9027199
9301747
9027200
9027201
9027202
9027203
9027204
9027205
9027206
9027207
9027208
9028914
9031697
9031734
9031771

Optional Kickplate Extension [Item 18]

Without Partition (144.063") **With Partition (145.063")**

Part No.	Color	Part No.
9042896	Cool Gray	9042904
9042897	Black	9042905
9042898	Pearl	9042906
9042899	Steel Gray	9042907

Kickplate [Item 19]

Without Partition (144.063")

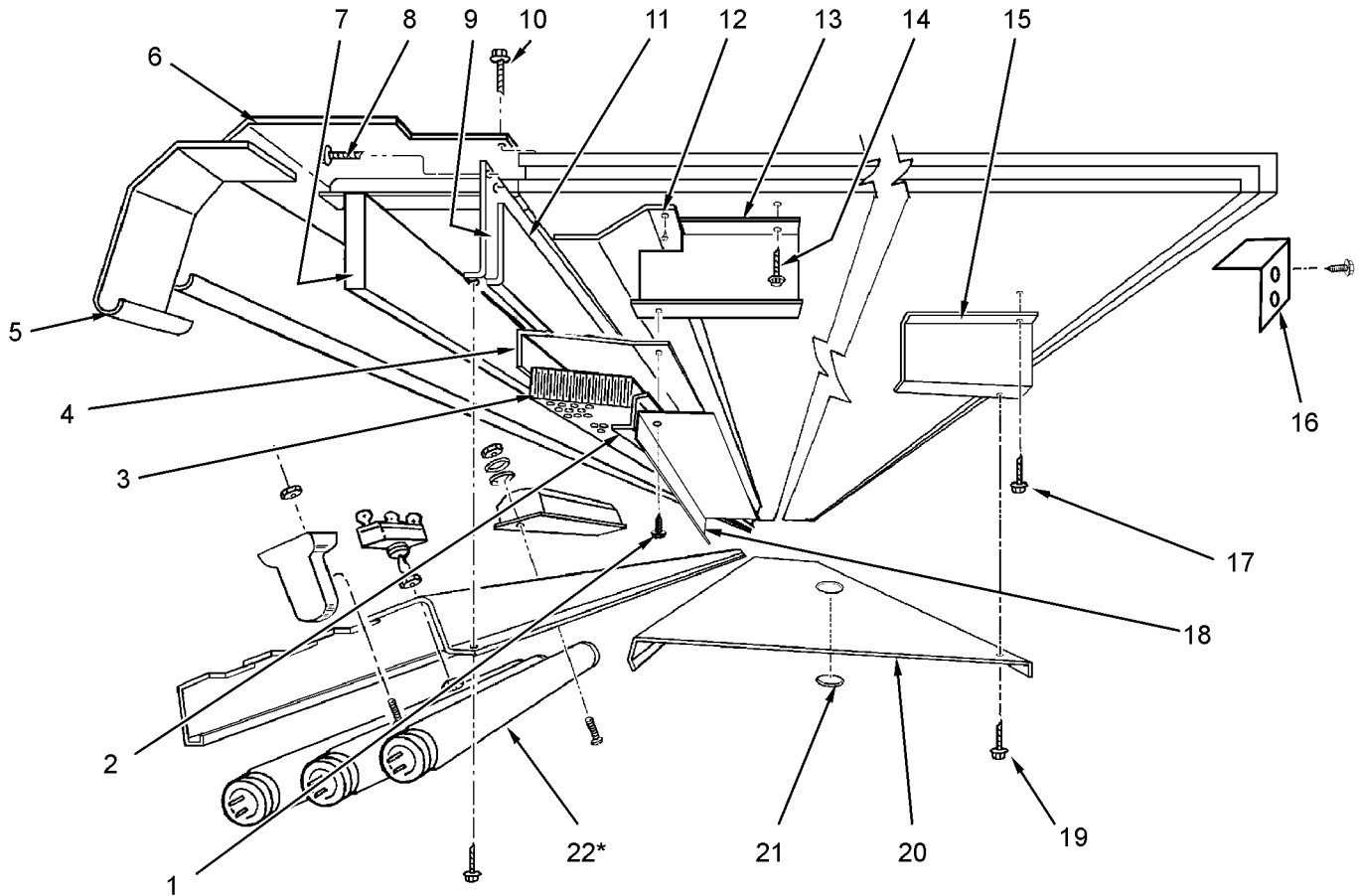
Part No.	Color
9041730	Cool Gray
9041731	Black
9041732	Pearl
9041734	Steel Gray

With Partition (145.063")

Part No.
9041740
9041741
9041742
9041744



STRUCTURAL COMPONENTS TOP SHELF - N5P



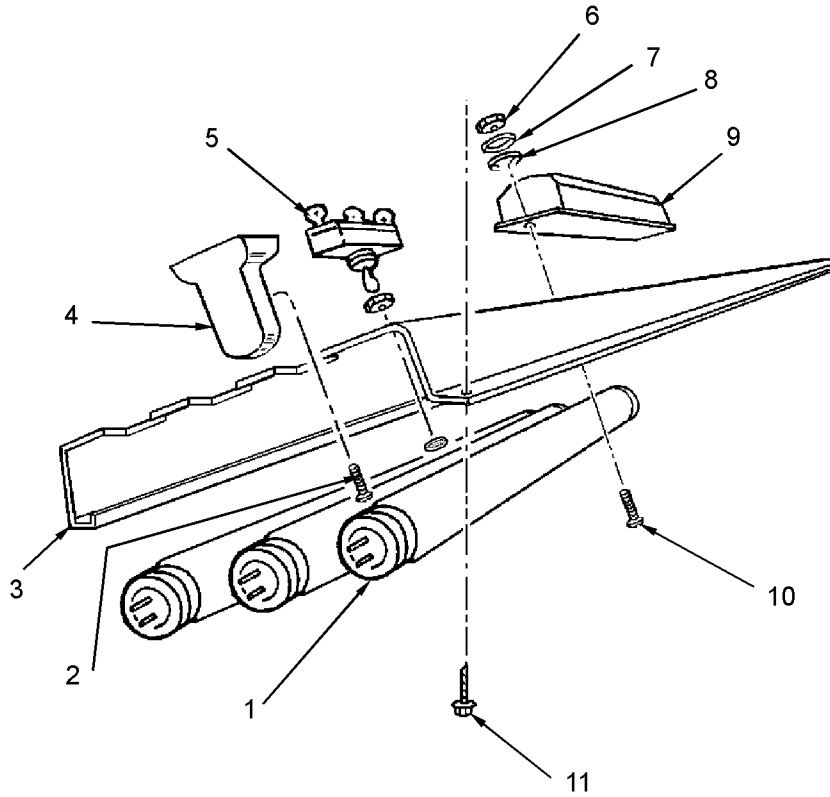
* See Light Channel Assembly Page
for parts itemization

8' and 12' Merchandiser

Item	Part No.	Quantity		Description	Item	Part No.	Quantity		Description
		8'	12'				8'	12'	
1	5048626	5	7	Screw	13	5200164	5	7	Air Deflector Support
2	5190239	1	-	Rear Grid Retainer	14	5183536	10	14	Screw
	5190240	-	1	Rear Grid Retainer	15	5200224	2	3	Rear Z-Bar
3	5199297	2	3	Grid	16	5621247	2	2	Center Tie Strap
4	5190241	1	-	Air Deflector & Retainer		5183536	4	4	Screw
	5190242	-	1	Air Deflector & Retainer	17	5183536	4	6	Screw
5	9025983	1	1	Canopy Hood Backer, Ptd.	18	9037524	1	-	Mirror Support
	5199134	4	4	Screw		9037524	-	1	Mirror Support
6	9025223	1	-	Canopy Hood, Ptd.	19	5619204	10	14	Screw
	9025224	-	1	Canopy Hood, Ptd.	20	9037521	1	-	Top Duct
	9026103	2	2	End Cover		9037522	-	1	Top Duct
7	5186730	2	3	Front Hood Filler	21	5238710	1	1	Plug Button
8	5183536	9	13	Screw		5646033	2	2	Access Cover
9	9025997	1	-	Light Channel Support		5048626	4	4	Screw
	9025998	-	1	Light Channel Support		5953454	3	4	Upright Extension
10	5183536	4	6	Screw		5145961	3	4	Screw
11	5186737	A/R	A/R	Ethofoam Gasket		5100634	3	4	Nut
12	5244444	1	-	Air Squeezer	22	9026311	1	-	Light Channel Assy.
	5244445	-	1	Air Squeezer		9026312	-	1	Light Channel Assy.



STRUCTURAL COMPONENTS - (CONT'D)
 TOP SHELF - N5P
 Canopy Light Assembly

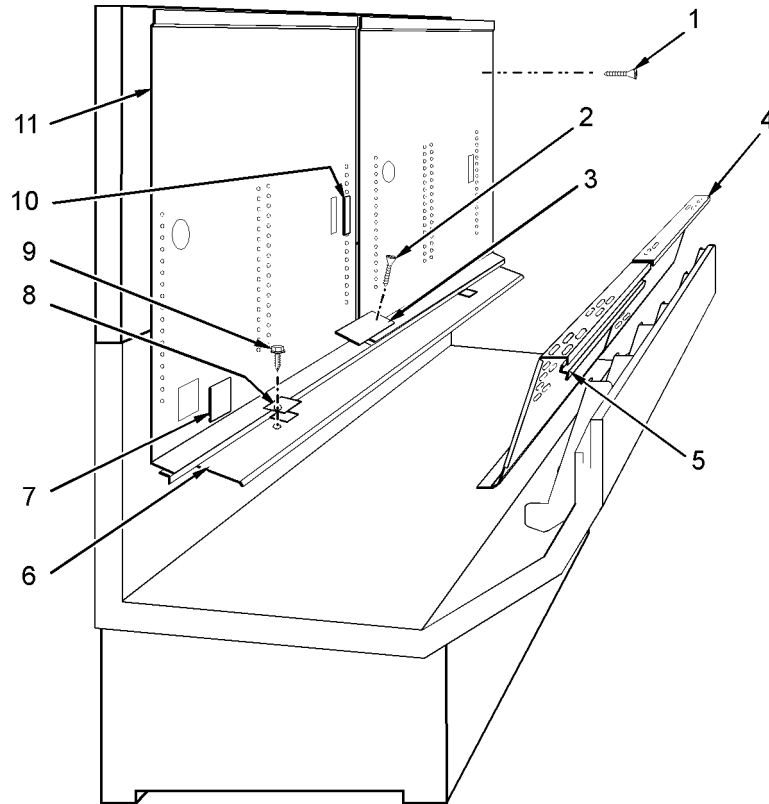


8' and 12' Merchandiser

Item	Part No.	Quantity		Description	Item	Part No.	Quantity		Description
		8'	12'				8'	12'	
*	9026311	1	-	Light Channel Assy.	5	5100565	1	1	Toggle Switch
*	9026312	-	1	Light Channel Assy.	6	5100661	4	6	Nut
1	----	6	9	Lamp, T-8	7	5195180	4	6	Lockwasher
2	5214107	4	6	Screw	8	5100973	4	6	Washer
3	9025988	1	-	Light Channel	9	5991030	2	3	T-8 Ballast, 3-Lamp
	9025989	-	1	Light Channel	10	5100379	4	6	Screw
4	5232279	12	18	Lampholder, T-8	11	5619204	4	6	Screw
	5981627	4	6	Lampholder Cap					



STRUCTURAL COMPONENTS - (CONT'D)
 DUCTS AND PANELS - N5P

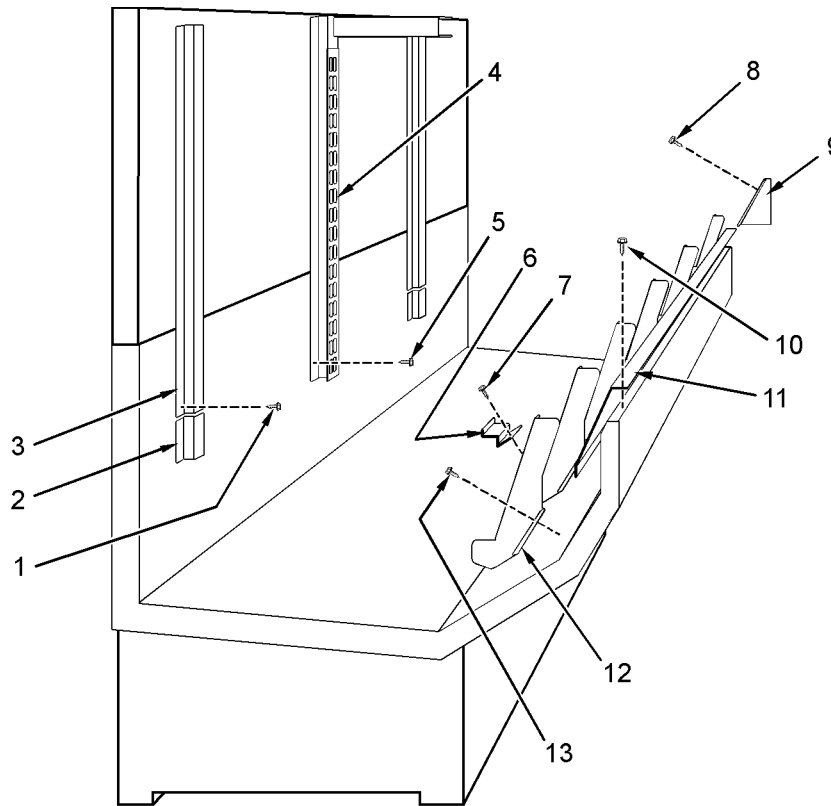


8' and 12' Merchandiser

Item	Part No.	Quantity		Description	Item	Part No.	Quantity		Description
		8'	12'				8'	12'	
1	5048626	28	42	Screw	7	5646033	4	6	Inspection Cover
2	5048626	2	4	Screw		5048626	8	12	Screw
3	5199298	1	2	Rear Duct Joint Trim	8	5205171	4	6	Cover
4	5198959	2	3	Front Duct	9	5183536	8	12	Screw
5	5248045	2	3	Front Duct Clip	10	9026091	6	9	Outlet Cover
	5183536	6	9	Screw		5048626	6	9	Screw
6	5244946	1	-	Top Coil Close-off	11	5232487	2	3	Rear Duct
	5244947	-	1	Top Coil Close-off					



STRUCTURAL COMPONENTS - (CONT'D)
Z-BARS - N5P

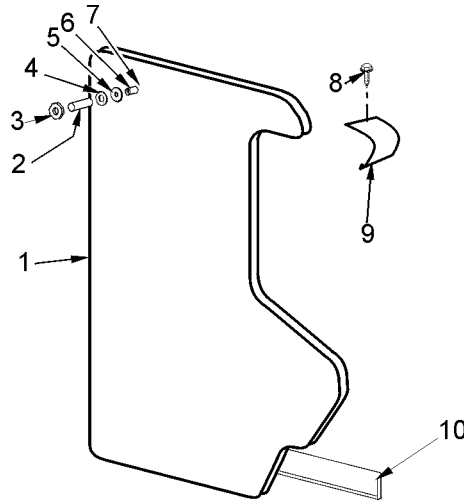


8' and 12' Merchandiser

Item	Part No.	Quantity		Description	Item	Part No.	Quantity		Description
		8'	12'				8'	12'	
1	5120943	16	28	Screw	9	5202802	1	1	RH End Close-off
2	5182021	2	3	Z-Bar		5202803	1	1	LH End Close-off
3	5198913	2	3	Rear Z-Bar	10	5120943	16	22	Screw
4	5953440	1	2	Center Upright Assy.	11	5198592	1	-	Foam Cover
5	1309067	10	20	Screw		5198593	-	1	Foam Cover
6	5201958	1	1	Field Piping Support	12	5218722	6	9	Front Z-Bar
7	5120943	2	2	Screw	13	5120943	12	18	Screw
8	5120943	4	4	Screw					



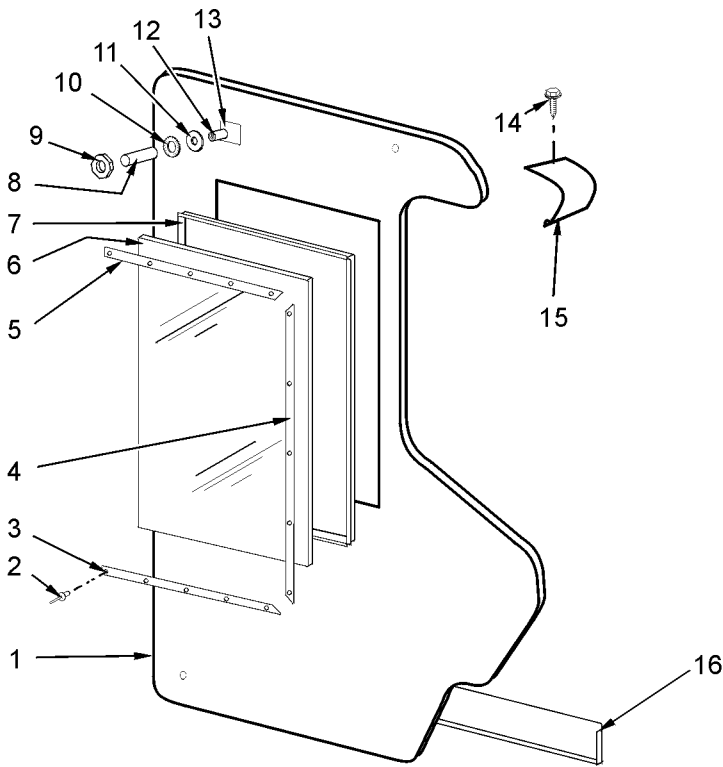
STRUCTURAL COMPONENTS - (CONT'D)
 PATCH ENDS, PARTITIONS AND DIVIDERS
 Solid Patch End, Contoured - N5P



Item	Part No.	Qty.	Description	Item	Part No.	Qty.	Description
*	9021936	1	RH Contoured End Assy., Ptd. w/Ptd. Liner - 31"	2	9022759	4	Stud, 5/16"-18 x 3"(BRT SS Lnr)
*	9021937	1	LH Contoured End Assy., Ptd. w/Ptd. Liner - 31"		9022759	2	Stud, 5/16"-18 x 3"(PTD Lnr, FR)
*	9021938	1	RH Contoured End Assy., Ptd. w/BRT SS Liner - 31"		9030558	2	Stud 5/16"-18 x 2" (PTD Lnr, RR)
*	9021939	1	LH Contoured End Assy., Ptd. w/BRT SS Liner - 31"	3	5100625	4	Nut, 5/16"-18
*	9028508	1	RH Contoured End Assy., Ptd. w/Ptd. Liner - 28"	4	5101003	4	Lockwasher
*	9028509	1	LH Contoured End Assy., Ptd. w/Ptd. Liner - 28"	5	5100976	4	Washer
*	9028138	1	RH Contoured End Assy., Ptd. w/BRT SS Liner - 28"	6	9022756	4	Threaded Insert
*	9028139	1	LH Contoured End Assy., Ptd. w/BRT SS Liner - 28"	7	9022760	4	Tapping Plate
1	9024561	1	RH Bench Assy., Ptd. w/Ptd. Liner - 31"	8	5219883	4	Screw
	9024562	1	LH Bench Assy., Ptd. w/Ptd. Liner - 31"	9	9029422	1	Canopy Hood Trim, Ptd.
	9024563	1	RH Bench Assy., Ptd. w/BRT SS Liner - 31"	10	9022459	1	LH Base End Close-off
	9024564	1	LH Bench Assy., Ptd. w/BRT SS Liner - 31"		9022466	1	RH Base End Close-off
	9024577	1	RH Bench Assy., Ptd. w/Ptd. Liner - 28"		5048626	2	Screw
	9024578	1	LH Bench Assy., Ptd. w/Ptd. Liner - 28"	Optional End Bumper Components (not shown)			
	9024573	1	RH Bench Assy., Ptd. w/BRT SS Liner - 28"	-	9027973	1	1" End Bumper, Cool Gray - 33"
	9024574	1	LH Bench Assy., Ptd. w/BRT SS Liner - 28"	-	9027974	1	1" End Bumper, Black - 33"
				-	9027975	1	1" End Bumper, Pearl - 33"
				-	9029311	1	1" End Bumper, Pearly Gates - 33"
				-	9023460	1	1" End Bumper, Cool Gray - 39"
				-	9023461	1	1" End Bumper, Black - 39"
				-	9023462	1	1" End Bumper, Pearl - 39"
				-	9023459	1	1" End Bumper, Pearly Gates - 39"
				-	9310876	1	1" End Bumper, Steel Gray - 39"
				-	9027882	1	Mounting Retainer - 35"
				-	9023453	1	Mounting Retainer - 41"
				-	9027743	4	End Cap, Cool Gray
				-	9027744	4	End Cap, Black
				-	9027742	4	End Cap, Pearl
				-	9026528	4	End Cap, Pearly Gates
				-	9310881	4	End Cap, Steel Gray
				-	5183536	4	Screw
				-	5104702	17	Rivet



STRUCTURAL COMPONENTS - (CONT'D)
 PATCH ENDS, PARTITIONS AND DIVIDERS
 Solid Patch End, Contoured w/Mirror - N5P



Item	Part No.	Qty.	Description
4	9030019	1	Front Vertical Mirror Trim
5	9030154	1	Top Mirror Trim
6	9030015	1	Mirror
7	9030016	1	Mirror Pan
8	9022759	2	Stud, 5/16"-18 x 3" - Front
	9030558	2	Stud, 5/16"-18 x 2" - Rear
9	5100625	4	Nut, 5/16"-18
10	5101003	4	Lockwasher
11	5100976	4	Washer
12	9022756	4	Threaded Insert
13	9022760	4	Tapping Plate
14	5219883	4	Screw
15	9029422	1	Canopy Hood Trim, Ptd.
16	9022459	1	LH Base End Close-off
	9022466	1	RH Base End Close-off
	5048626	2	Screw

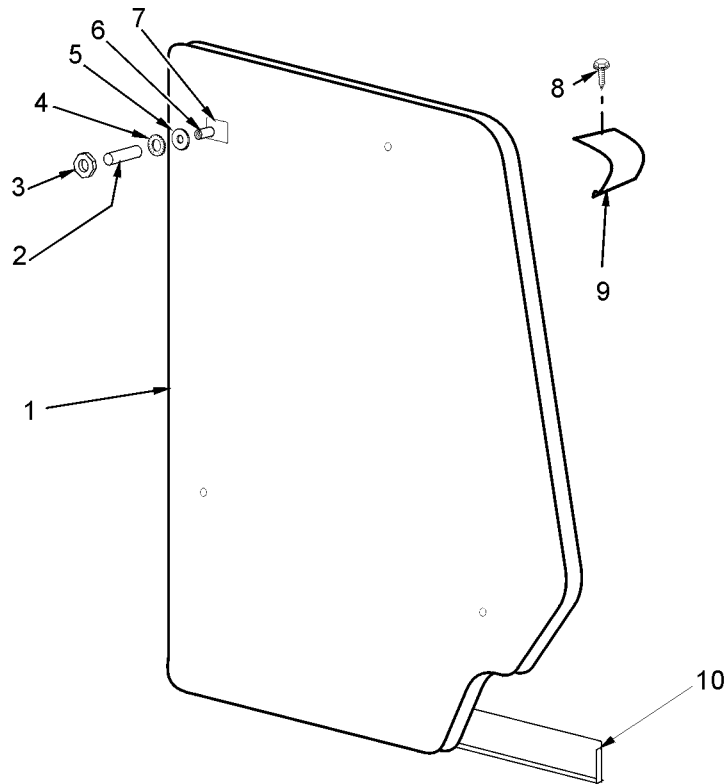
Optional End Bumper Components (not shown)

-	9027973	1	1" End Bumper, Cool Gray - 33"
-	9027974	1	1" End Bumper, Black - 33"
-	9027975	1	1" End Bumper, Pearl - 33"
-	9029311	1	1" End Bumper, Pearly Gates - 33"
-	9023460	1	1" End Bumper, Cool Gray - 39"
-	9023461	1	1" End Bumper, Black - 39"
-	9023462	1	1" End Bumper, Pearl - 39"
-	9023459	1	1" End Bumper, Pearly Gates - 39"
-	9310876	1	1" End Bumper, Steel Gray - 39"
-	9027882	1	Mounting Retainer - 35"
-	9023453	1	Mounting Retainer - 41"
-	9027743	4	End Cap, Cool Gray
-	9027744	4	End Cap, Black
-	9027742	4	End Cap, Pearl
-	9026528	4	End Cap, Pearly Gates
-	9310881	4	End Cap, Steel Gray
-	5183536	4	Screw
-	5104702	17	Rivet

Item	Part No.	Qty.	Description
*	9030909	1	RH Contoured End Assy., Ptd. w/BRT SS Liner w/Mirror - 31"
*	9030910	1	LH Contoured End Assy., Ptd. w/BRT SS Liner w/Mirror - 31"
*	9030905	1	RH Ctrd End Assy., BRT SS w/BRT SS Liner w/Mirror - 31"
*	9030906	1	LH Ctrd End Assy., BRT SS w/BRT SS Liner w/Mirror - 31"
1	9024603	1	RH Bench Assy., Ptd. w/BRT SS Liner w/Mirror - 31"
	9024604	1	LH Bench Assy., Ptd. w/BRT SS Liner w/Mirror - 31"
	9024601	1	RH Bench Assy., BRT SS w/BRT SS Liner w/Mirror - 31"
	9024602	1	LH Bench Assy., BRT SS w/BRT SS Liner w/Mirror - 31"
2	5104702	30	Rivet
3	9027800	1	Bottom Mirror Trim



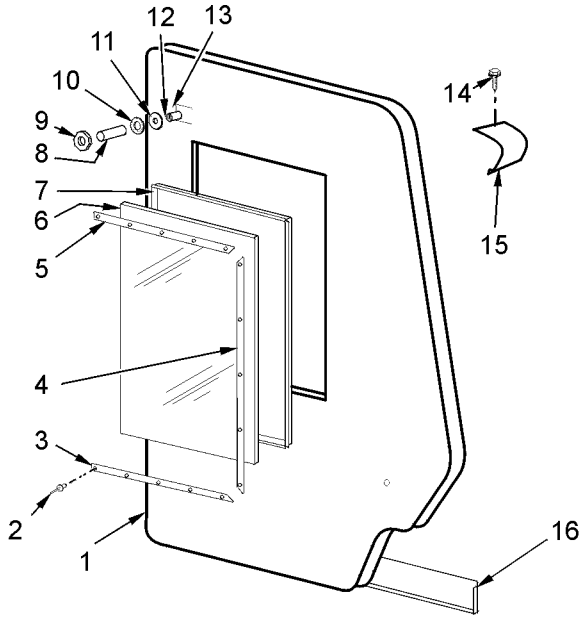
STRUCTURAL COMPONENTS - (CONT'D)
 PATCH ENDS, PARTITIONS AND DIVIDERS
 Solid Patch End, Tapered - N5P



Item	Part No.	Qty.	Description	Item	Part No.	Qty.	Description
*	9021948	1	RH Tapered End Assy., Ptd. w/BRT SS Liner - 31"	8	5219883	4	ScREW
*	9021949	1	LH Tapered End Assy., Ptd. w/BRT SS Liner - 31"	9	9029422	1	Canopy Hood Trim, Ptd.
*	9027646	1	RH Tapered End Assy., BRT SS w/BRT SS Liner - 31"	10	9022459	1	LH Base End Close-off
*	9027647	1	LH Tapered End Assy., BRT SS w/BRT SS Liner - 31"		9022466	1	RH Base End Close-off
1	9024569	1	RH Bench Assy., Ptd. w/BRT SS Liner - 31"		5048626	2	Screw
	9024570	1	LH Bench Assy., Ptd. w/BRT SS Liner - 31"	Optional End Bumper Components (not shown)			
	9024571	1	RH Bench Assy., BRT SS w/BRT SS Liner - 31"	-	9027973	1	1" End Bumper, Cool Gray - 33"
	9024572	1	LH Bench Assy., BRT SS w/BRT SS Liner - 31"		9027974	1	1" End Bumper, Black - 33"
2	9022759	2	Stud, 5/16"-18 x 3" - Front		9027975	1	1" End Bumper, Pearl - 33"
	9030558	2	Stud, 5/16"-18 x 2" - Rear		9029311	1	1" End Bumper, Pearly Gates - 33"
3	5100625	4	Nut, 5/16"-18		9023460	1	1" End Bumper, Cool Gray - 39"
4	5101003	4	Lockwasher		9023461	1	1" End Bumper, Black - 39"
5	5100976	4	Washer		9023462	1	1" End Bumper, Pearl - 39"
6	9022756	4	Threaded Insert		9023459	1	1" End Bumper, Pearly Gates - 39"
7	9022760	4	Tapping Plate		9310876	1	1" End Bumper, Steel Gray - 39"
				-	9027882	1	Mounting Retainer - 35"
					9023453	1	Mounting Retainer - 41"
				-	9027743	4	End Cap, Cool Gray
					9027744	4	End Cap, Black
					9027742	4	End Cap, Pearl
					9026528	4	End Cap, Pearly Gates
					9310881	4	End Cap, Steel Gray
				-	5183536	4	Screw
				-	5104702	17	Rivet



STRUCTURAL COMPONENTS - (CONT'D)
 PATCH ENDS, PARTITIONS AND DIVIDERS
 Solid Patch End, Tapered w/Mirror - N5P



Item	Part No.	Qty.	Description
5	9030154	1	Top Mirror Trim
6	9030015	1	Mirror
7	9030016	1	Mirror Pan
8	9022759	2	Stud, 5/16"-18 x 3" - Front
	9030558	2	Stud, 5/16"-18 x 2" - Rear
9	5100625	4	Nut, 5/16"-18
10	5101003	4	Lockwasher
11	5100976	4	Washer
12	9022756	4	Threaded Insert
13	9022760	4	Tapping Plate
14	5219883	4	Screw
15	9029422	1	Canopy Hood Trim, Ptd.
16	9022459	1	LH Base End Close-off
	9022466	1	RH Base End Close-off
	5048626	2	Screw

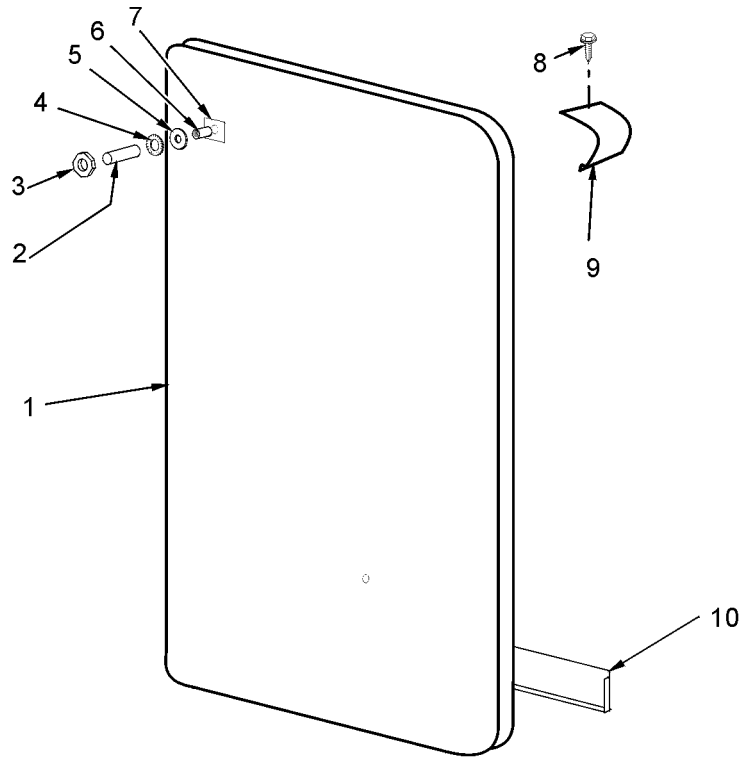
Optional End Bumper Components (not shown)

-	9027973	1	1" End Bumper, Cool Gray - 33"
-	9027974	1	1" End Bumper, Black - 33"
-	9027975	1	1" End Bumper, Pearl - 33"
-	9029311	1	1" End Bumper, Pearly Gates - 33"
-	9023460	1	1" End Bumper, Cool Gray - 39"
-	9023461	1	1" End Bumper, Black - 39"
-	9023462	1	1" End Bumper, Pearl - 39"
-	9023459	1	1" End Bumper, Pearly Gates - 39"
-	9310876	1	1" End Bumper, Steel Gray - 39"
-	9027882	1	Mounting Retainer - 35"
-	9023453	1	Mounting Retainer - 41"
-	9027743	4	End Cap, Cool Gray
-	9027744	4	End Cap, Black
-	9027742	4	End Cap, Pearl
-	9026528	4	End Cap, Pearly Gates
-	9310881	4	End Cap, Steel Gray
-	5183536	4	Screw
-	5104702	17	Rivet

Item	Part No.	Qty.	Description
*	9029007	1	RH Tapered End Assy., Ptd. w/BRT SS Liner w/Mirror - 31"
*	9029008	1	LH Tapered End Assy., Ptd. w/BRT SS Liner w/Mirror - 31"
1	9029007	1	RH Bench Assy., Ptd. w/BRT SS Liner w/Mirror - 31"
	9029008	1	LH Bench Assy., Ptd. w/BRT SS Liner w/Mirror - 31"
2	5104702	30	Rivet
3	9027800	1	Bottom Mirror Trim
4	9030019	1	Front Vertical Mirror Trim



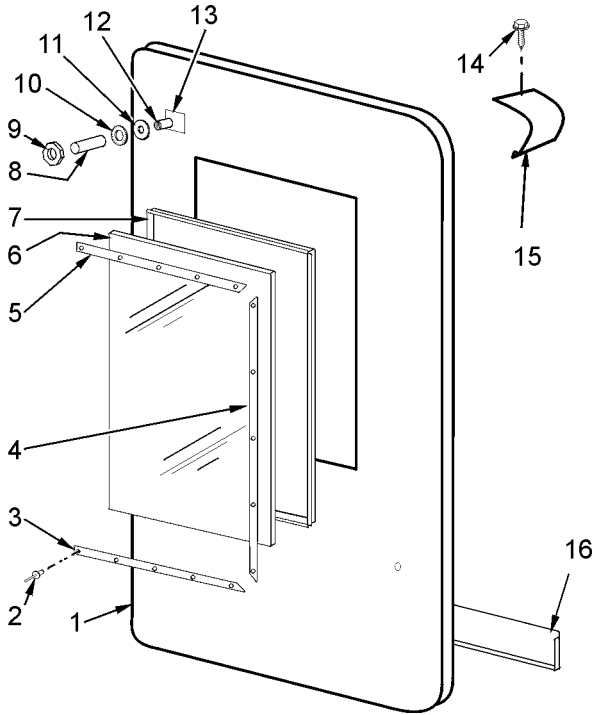
STRUCTURAL COMPONENTS - (CONT'D)
 PATCH ENDS, PARTITIONS AND DIVIDERS
 Solid Patch End, Boxed - N5P



Item	Part No.	Qty.	Description	Item	Part No.	Qty.	Description
*	9021940	1	RH Boxed End Assy., Ptd. w/Ptd. Liner - 31"	5048626	2	Screw	
*	9021941	1	LH Boxed End Assy., Ptd. w/Ptd. Liner - 31"	Optional End Bumper Components (not shown)			
*	9021942	1	RH Boxed End Assy., Ptd. w/BRT SS Liner - 31"	-	9027973	1	1" End Bumper, Cool Gray - 33"
*	9021943	1	LH Boxed End Assy., Ptd. w/BRT SS Liner - 31"	-	9027974	1	1" End Bumper, Black - 33"
1	9021940	1	RH Bench Assy., Ptd. w/Ptd. Liner - 31"	-	9027975	1	1" End Bumper, Pearl - 33"
	9021941	1	LH Bench Assy., Ptd. w/Ptd. Liner - 31"	-	9029311	1	1" End Bumper, Pearly Gates - 33"
	9021942	1	RH Bench Assy., Ptd. w/BRT SS Liner - 31"	-	9023460	1	1" End Bumper, Cool Gray - 39"
	9021943	1	LH Bench Assy., Ptd. w/BRT SS Liner - 31"	-	9023461	1	1" End Bumper, Black - 39"
2	9022759	4	Stud, 5/16"-18 x 3"	-	9023462	1	1" End Bumper, Pearl - 39"
3	5100625	4	Nut, 5/16"-18	-	9023459	1	1" End Bumper, Pearly Gates - 39"
4	5101003	4	Lockwasher	-	9310876	1	1" End Bumper, Steel Gray - 39"
5	5100976	4	Washer	-	9027882	1	Mounting Retainer - 35"
6	9022756	4	Threaded Insert	-	9023453	1	Mounting Retainer - 41"
7	9022760	4	Tapping Plate	-	9027743	4	End Cap, Cool Gray
8	5219883	4	Screw	-	9027744	4	End Cap, Black
9	9029422	1	Canopy Hood Trim, Ptd.	-	9027742	4	End Cap, Pearl
10	9022459	1	LH Base End Close-off	-	9026528	4	End Cap, Pearly Gates
	9022466	1	RH Base End Close-off	-	9310881	4	End Cap, Steel Gray
				-	5183536	4	Screw
				-	5104702	17	Rivet



STRUCTURAL COMPONENTS - (CONT'D)
 PATCH ENDS, PARTITIONS AND DIVIDERS
 Solid Patch End, Boxed w/Mirror - N5P



Item	Part No.	Qty.	Description
2	5104702	30	Rivet
3	9027800	1	Bottom Mirror Trim
4	9030019	1	Front Vertical Mirror Trim
5	9030154	1	Top Mirror Trim
6	9030015	1	Mirror
7	9030016	1	Mirror Pan
8	9022759	4	Stud, 5/16"-18 x 3"
9	5100625	4	Nut, 5/16"-18
10	5101003	4	Lockwasher
11	5100976	4	Washer
12	9022756	4	Threaded Insert
13	9022760	4	Tapping Plate
14	5219883	4	Screw
15	9029422	1	Canopy Hood Trim, Ptd.
16	9022459	1	LH Base End Close-off
	9022466	1	RH Base End Close-off
	5048626	2	Screw

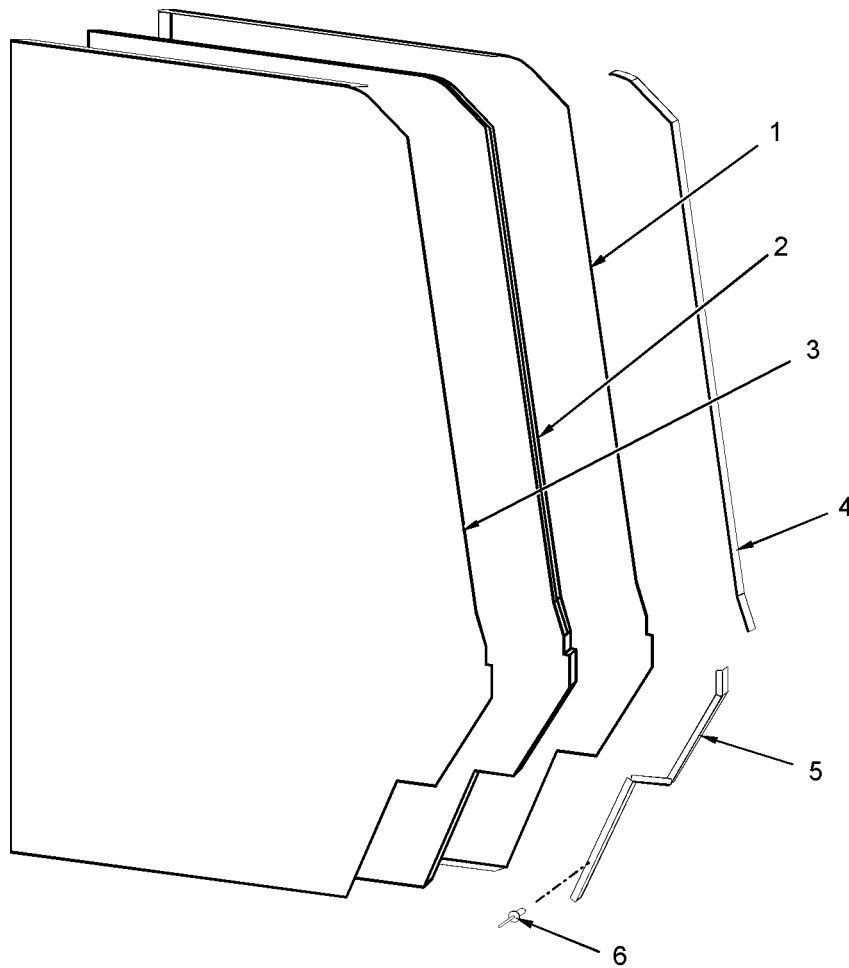
Optional End Bumper Components (not shown)

-	9027973	1	1" End Bumper, Cool Gray - 33"
-	9027974	1	1" End Bumper, Black - 33"
-	9027975	1	1" End Bumper, Pearl - 33"
-	9029311	1	1" End Bumper, Pearly Gates - 33"
-	9023460	1	1" End Bumper, Cool Gray - 39"
-	9023461	1	1" End Bumper, Black - 39"
-	9023462	1	1" End Bumper, Pearl - 39"
-	9023459	1	1" End Bumper, Pearly Gates - 39"
-	9310876	1	1" End Bumper, Steel Gray - 39"
-	9027882	1	Mounting Retainer - 35"
-	9023453	1	Mounting Retainer - 41"
-	9027743	4	End Cap, Cool Gray
-	9027744	4	End Cap, Black
-	9027742	4	End Cap, Pearl
-	9026528	4	End Cap, Pearly Gates
-	9310881	4	End Cap, Steel Gray
-	5183536	4	Screw
-	5104702	17	Rivet

Item	Part No.	Qty.	Description
*	9021944	1	RH Boxed End Assy., Ptd. w/Ptd. Liner w/Mirror - 31"
*	9021945	1	LH Boxed End Assy., Ptd. w/Ptd. Liner w/Mirror - 31"
*	9021946	1	RH Boxed End Assy., Ptd. w/BRT SS Liner w/Mirror - 31"
*	9021947	1	LH Boxed End Assy., Ptd. w/BRT SS Liner w/Mirror - 31"
1	9021944	1	RH Bench Assy., Ptd. w/Ptd. Liner w/Mirror - 31"
	9021945	1	LH Bench Assy., Ptd. w/Ptd. Liner w/Mirror - 31"
	9021946	1	RH Bench Assy., Ptd. w/BRT SS Liner w/Mirror - 31"
	9021947	1	LH Bench Assy., Ptd. w/BRT SS Liner w/Mirror - 31"



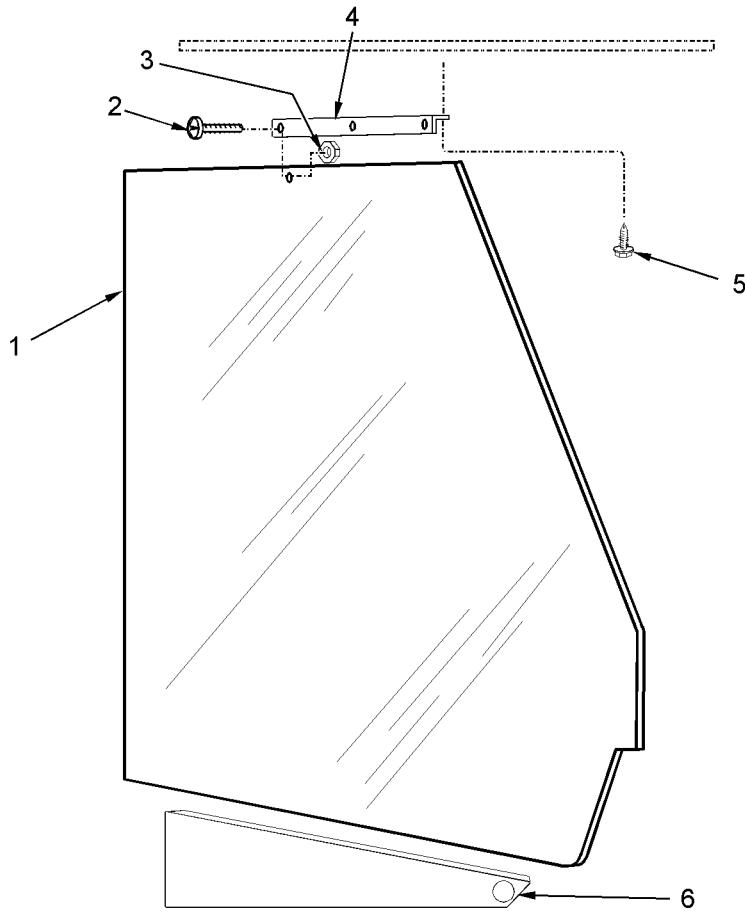
STRUCTURAL COMPONENTS - (CONT'D)
 PATCH ENDS, PARTITIONS AND DIVIDERS
 1" Solid Partition - N5P



Item	Part No.	Qty.	Description
*	9035415	1	1" Solid Partition Assy., BRT SS
1	9035410	1	RH Partition Panel, BRT SS
2	9035414	1	Core
3	9035411	1	LH Partition Panel, BRT SS
4	9027654	1	End Strip Trim, Cool Gray
	9027655	1	End Strip Trim, Pearl Gray
	9027656	1	End Strip Trim, Black
	9029361	1	End Strip Trim, Pearly Gates
	9034934	1	End Strip Trim, Steel Gray
5	9030581	1	Front Rail Trim, Ptd.
6	5104702	24	Rivet



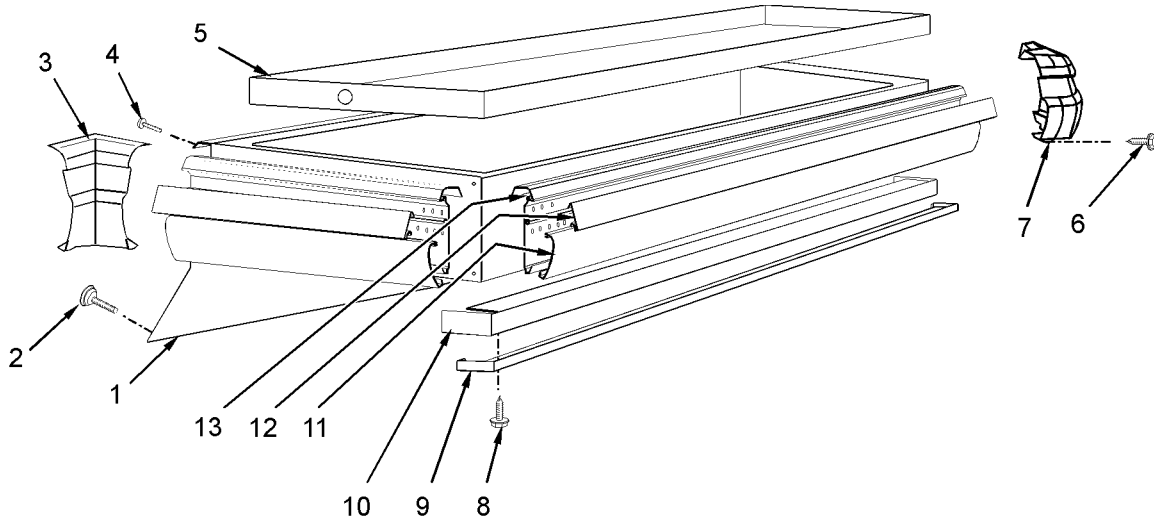
STRUCTURAL COMPONENTS - (CONT'D)
PATCH ENDS, PARTITIONS AND DIVIDERS
Floating Plexiglas Divider - N5P



Item	Part No.	Qty.	Description
*	9022416	1	Floating Plexiglas Divider Assy.
1	9023386	1	Plexiglas
2	5111242	4	Screw
3	5100650	4	Nut
4	5239579	1	Top Plexiglas Retainer
5	5183536	4	Screw
6	5239601	1	RH Air Close-off
	5239602	1	LH Air Close-off
	5145036	5	Screw



STRUCTURAL COMPONENTS - (CONT'D)
 OPTIONAL PRODUCE EXTENDER - N5P

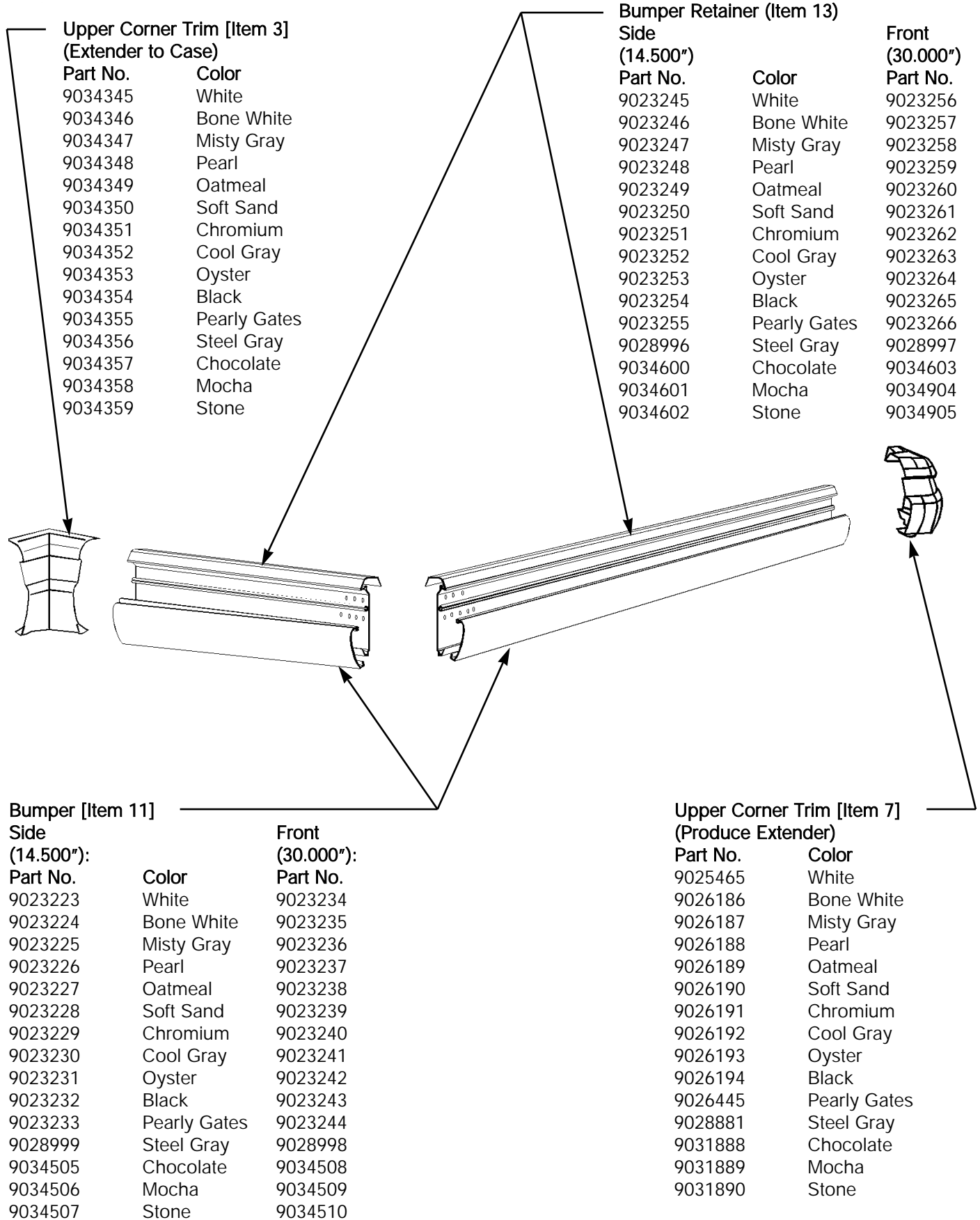


Item	Part No.	Qty.	Description
*	9020504	1	Produce Extender
1	9023220	1	Body Unit Assy.
2	5201267	2	Adjustable Rubber Bumper
3	+	2	Upper Corner Trim (Ext. to Case)
4	5145037	4	Screw
5	5201279	1	Inner Pan
6	9025833	20	Screw
7	+	2	Upper Corner Trim (Prod. Ext.)
8	5183536	3	Screw
9	9023208	1	Front Cladding, Ptd.
10	9023267	1	Front Cladding Support
11	+	1	Front Bumper
	+	2	Side Bumper
12	9023802	1	Front Color Band, Ptd.
	9023803	2	Side Color Band, Ptd.
13	+	1	Front Bumper Retainer
	+	2	Side Bumper Retainer

+ See next page for parts breakdown per color.

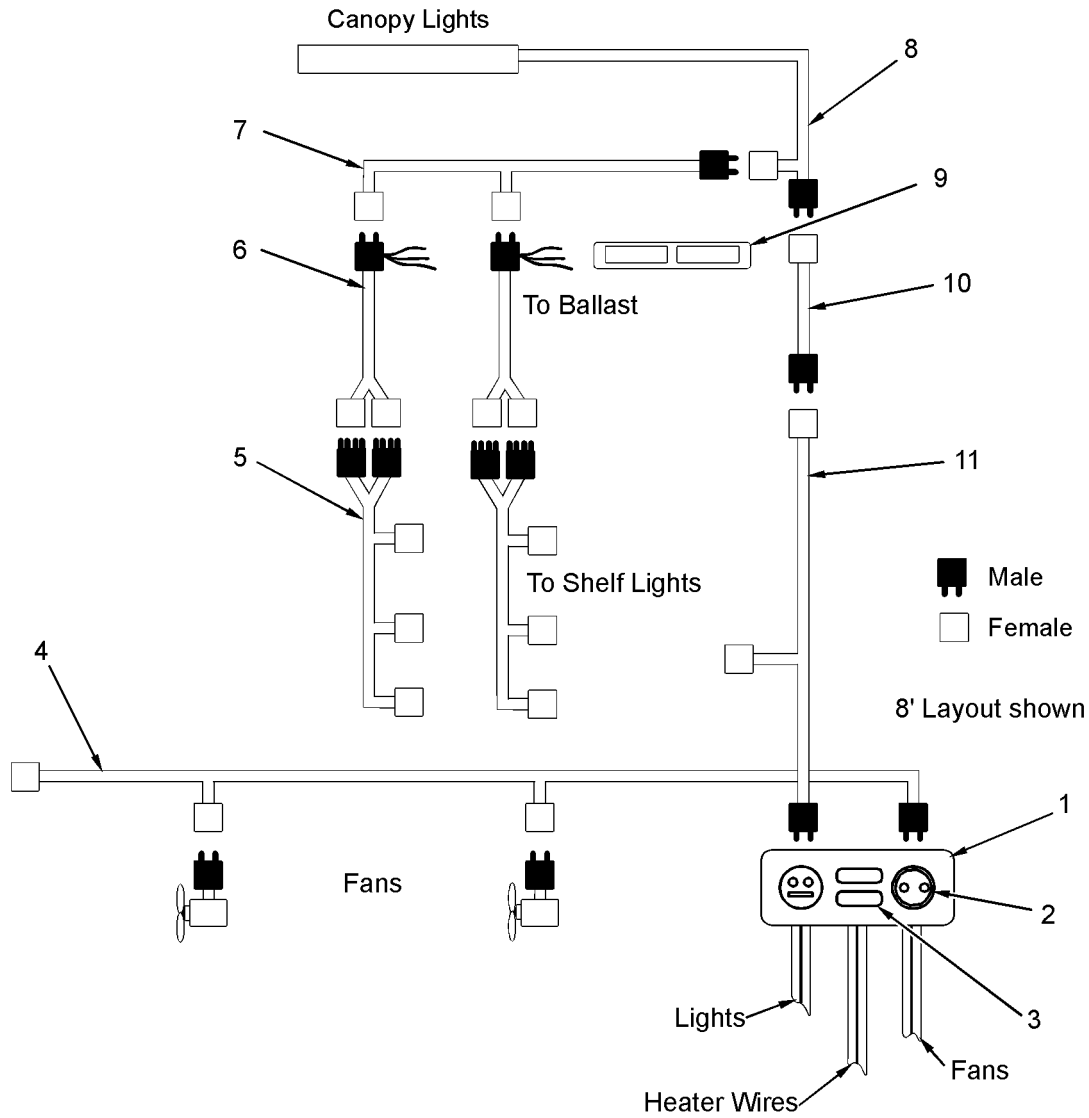


STRUCTURAL COMPONENTS - (CONT'D)
OPTIONAL PRODUCE EXTENDER - N5P





ELECTRICAL SYSTEM COMPONENTS
WIRING HARNESSSES - N5P
 Wiring and Components

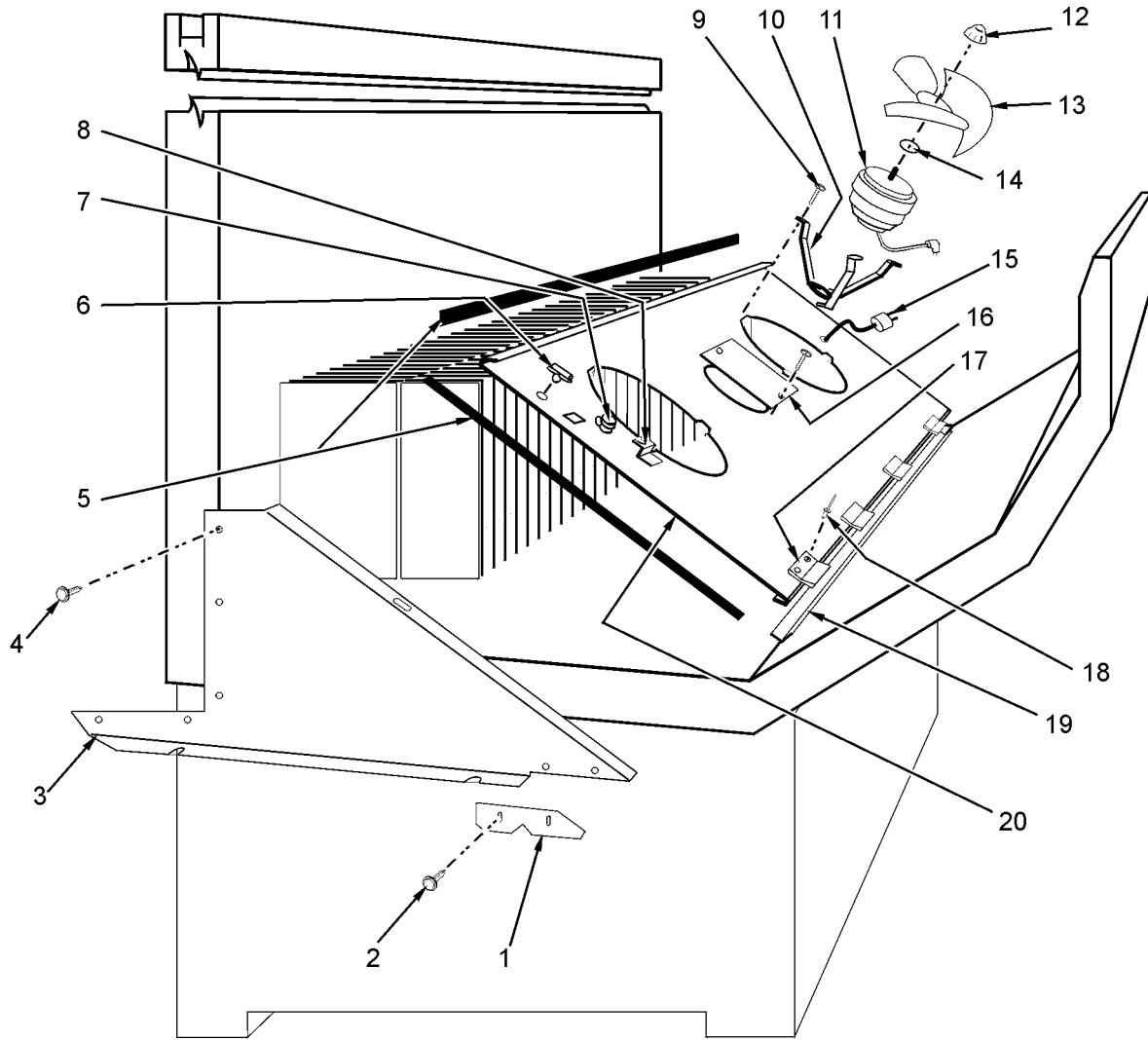


8' and 12' Merchandiser

Item	Part No.	Quantity		Description	Item	Part No.	Quantity		Description
		8'	12'				8'	12'	
1	5199320	1	1	115V Input Harness	*	9026004	1	1	T-8 Ballast Assy., Shelf Light
2	5202500	1	1	Dummy Plug	*	9026005	-	1	T-8 Ballast Assy., Shelf Light
3	5149769	2	2	Dummy Plug		5991030	2	3	T-8 Ballast, 115V
4	5211558	1	-	Fan Harness		9028438	2	3	T-8 Ballast, 220V
	5211559	-	1	Fan Harness		9025999	1	2	Bracket
5	9025917	2	3	Opt. Shelf Light Harness, WHT		5100379	4	6	Screw
	9028122	2	3	Opt. Shelf Light Harness, BLK		5100661	4	6	Nut
6	9025919	2	3	Opt. Top Duct Harness		5100970	4	6	Washer
7	9026529	1	2	Opt. Shelf Power Feed Harness		5101000	4	6	Lockwasher
8	9027302	1	1	Power Feed Harness		5103997	4	6	Ext. Tooth Lockwasher
9	5991030	2	3	T-8 Ballast, 115V Canopy Light	10	5210919	1	1	Harness, 51"
	9028438	2	3	T-8 Ballast, 220V Canopy Light		5100049	7'	11'	#16 Wire, WHT
						5102218	7'	11'	#16 Wire, BLK
					11	5220496	1	1	Light Supply Harness



ELECTRICAL SYSTEM COMPONENTS - (CONT'D)
 FAN SYSTEMS - N5P

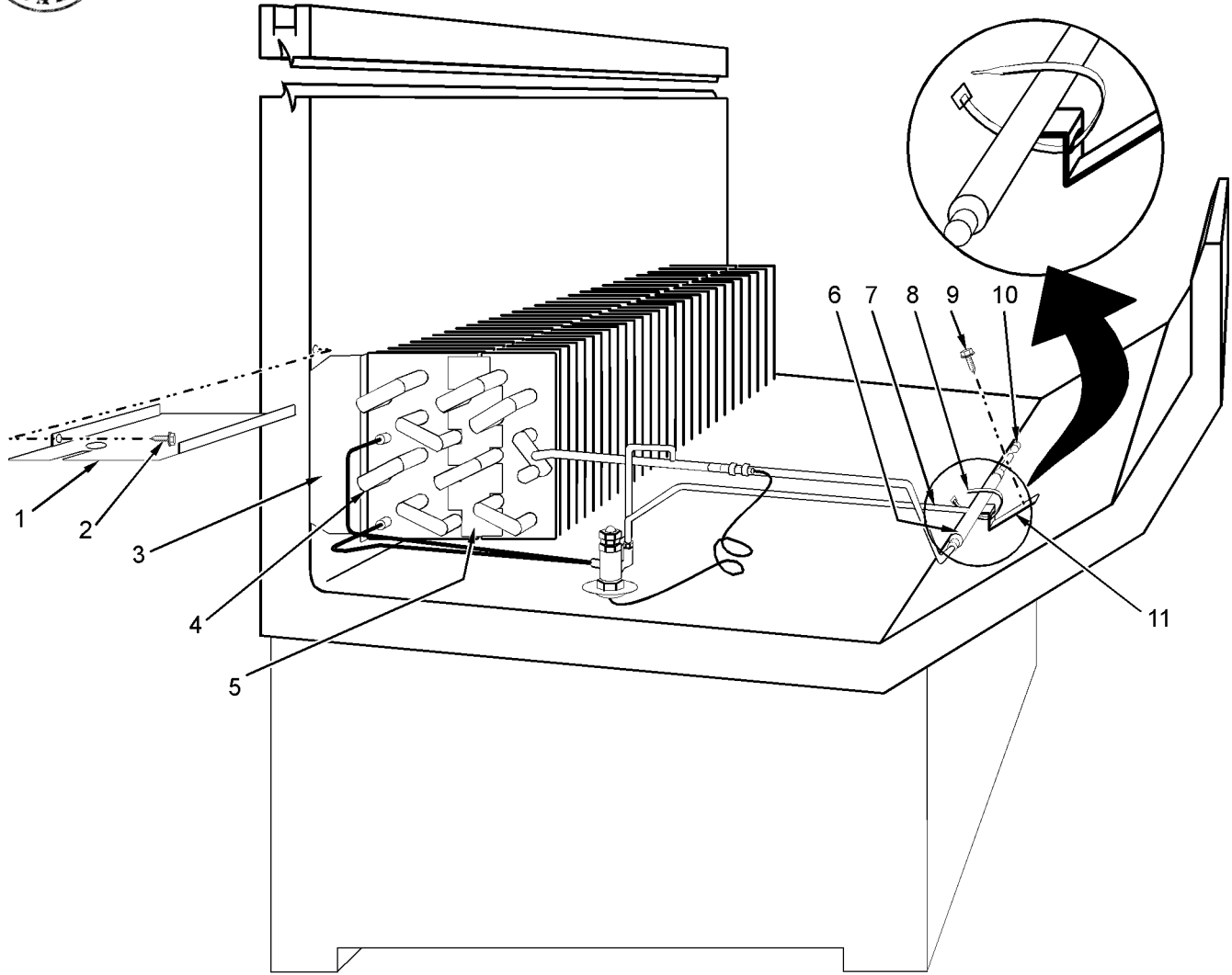


8' and 12' Merchandiser

Item	Part No.	Quantity		Description	Item	Part No.	Quantity		Description
		8'	12'				8'	12'	
1	5244436	2	2	Fan Panel Close-off Tab	11	5243498	2	3	Motor, 9W
2	5183536	4	4	Screw		9025000	2	3	ECM Motor, 12W
3	5244438	1	1	LH Fan Panel Close-off	12	----	2	3	Nut (furn. w/motor)
	5244437	1	1	RH Fan Panel Close-off	13	5231809	2	3	Fan Blade, 8.75"
	5214669	A/R	A/R	Silaprene Adhesive		5984399	2	3	ECM Fan Blade, 8.75"
4	5183536	10	10	Screw	14	----	2	3	Washer (furn. w/motor)
5	5107190	A/R	A/R	Ethofoam Gasket	15	5211558	1	-	Fan Harness
6	5185321	2	2	Fastener, Q-4		5211559	-	1	Fan Harness
7	5122007	3	4	Strain Relief	16	5186435	1	-	Access Cover
8	5206177	2	3	Fan Harness Clip		5183536	2	-	Screw
9	5183536	6	9	Screw	17	5186058	4	5	Hinge
*	5244443	2	3	Fan Motor Assy.	18	5104702	16	20	Rivet
*	9025015	2	-	ECM Fan Motor Assy.	19	5244439	1	-	Fan Panel Angle
10	5235087	6	9	Bracket		5244440	-	1	Fan Panel Angle
	9041077	2	3	Fan Bracket MTG Plate	20	5244434	1	-	Fan Panel
						5244435	-	1	Fan Panel



REFRIGERATION SYSTEM COMPONENTS
COIL ASSEMBLIES - N5P

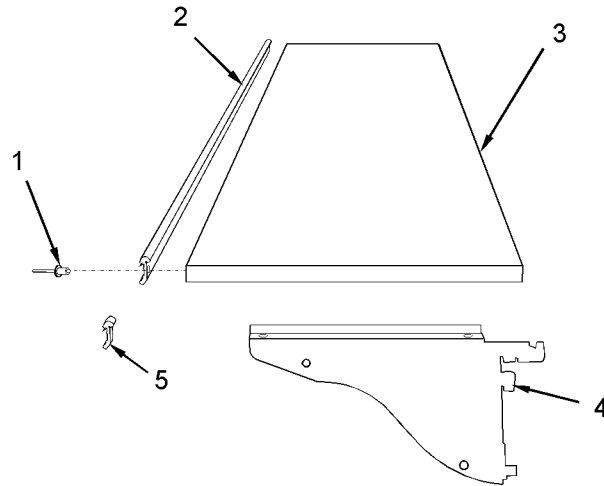


8' and 12' Merchandiser

Item	Part No.	Quantity		Description	Item	Part No.	Quantity		Description
		8'	12'				8'	12'	
1	5221646	1	1	LH Coil Close-off	5	5221645	2	2	RH/LH End Spacing Plate
	5221647	1	1	RH Coil Close-off		5120943	12	12	Screw
2	5183536	4	4	Screw	6	5224258	1	1	Heat Exchanger Assy.
3	5221677	2	2	Rear Coil Close-off	7	9035196	1	1	Liquid Line (to expansion valve tube)
	5183536	4	4	Screw	8	5180826	1	1	Cable Ties
4	5221639	1	-	Coil Fitting Assy.	9	5183536	2	2	Screw
	5221641	-	1	Coil Fitting Assy.	10	5198296	1	1	Cap
	5221640	1	-	Front Coil Finning Assy.	11	5199097	1	1	Heat Exchanger Support
	5221642	-	1	Front Coil Finning Assy.					
	5223355	1	-	Rear Coil Finning Assy.					
	5223356	-	1	Rear Coil Finning Assy.					



OPTIONAL CASE ACCESSORIES
 SHELF ASSEMBLIES - N5P
 Optional 15" Shelves w/o Lights



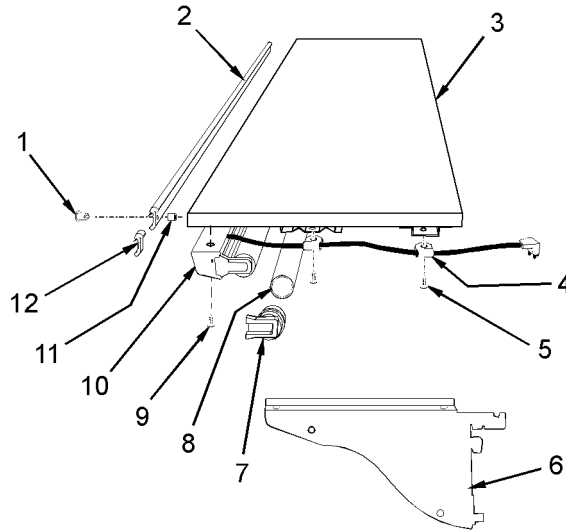
Item	Part No.	Qty.	Description
*	9021262	1	Solid Shelf Assy., 15" x 48" BRT/SS
1	5144974	4	Rivet
2	5236879	1	Narrow Card Molding
*	9027460	1	Shelf Bench Assy., 15" x 48" BRT/SS
3	5944622	1	15" x 48" Shelf, BRT/SS
4	5185810	1	RH 15" Shelf Bracket, PTD
	5185811	1	LH 15" Shelf Bracket, PTD
5	5941919	1	Card Molding Joint Trim



OPTIONAL CASE ACCESSORIES - (CONT'D)

SHELF ASSEMBLIES - N5P

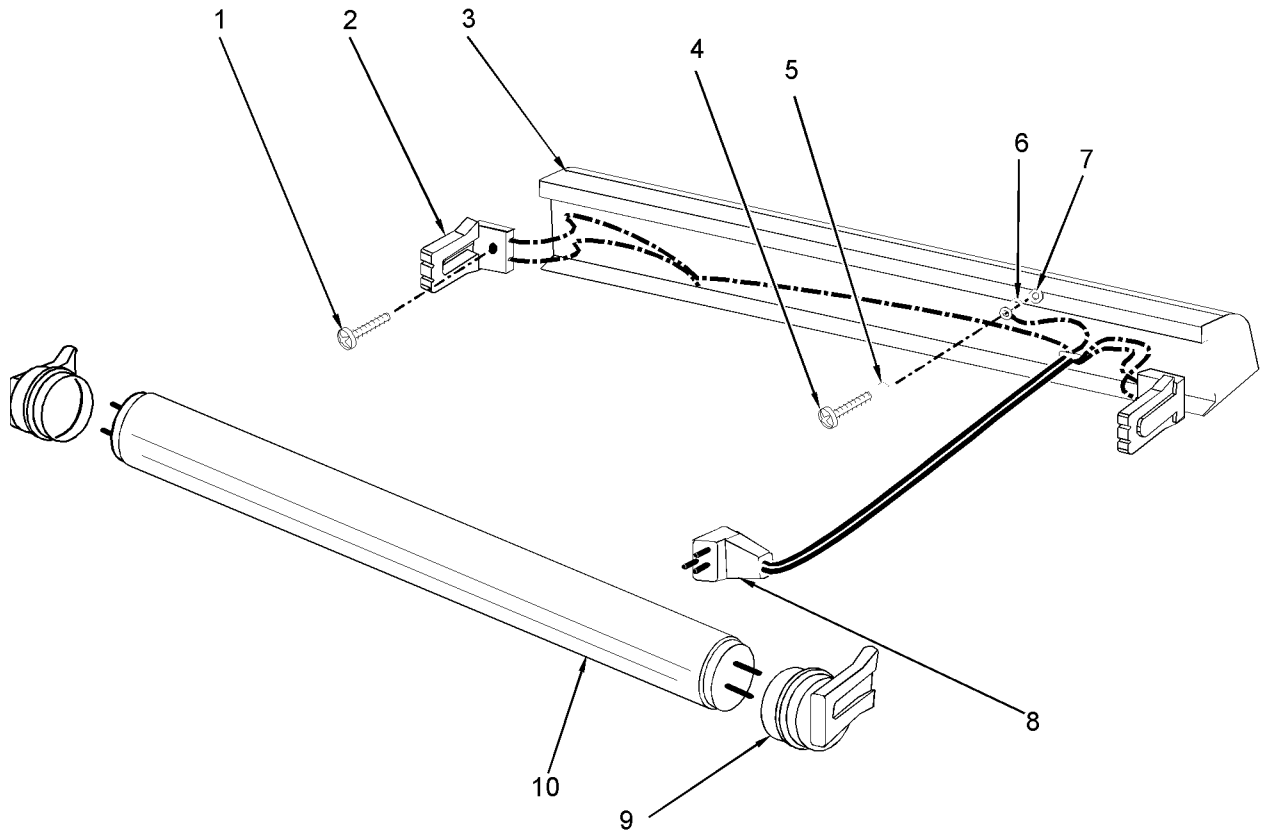
Optional 15", 18" & 22" Shelves w/ T-8 Light



Item	Part No.	Qty.	Description	Item	Part No.	Qty.	Description
*	9020935	1	Solid Lighted Shelf Assy., 15" x 48" PTD	*	9027361	1	Lighted Shelf Bench Assy., 18" x 48" BPC
*	9021266	1	Solid Lighted Shelf Assy., 15" x 48" BRT/SS	*	9026109	1	Lighted Shelf Bench Assy., 22" x 48" PTD
*	9021250	1	Solid Lighted Shelf Assy., 15" x 48" WPC	3	5220612	1	15" x 48" Shelf, PTD
*	9021258	1	Solid Lighted Shelf Assy., 15" x 48" BPC		5944622	1	15" x 48" Shelf, BRT/SS
*	9020936	1	Solid Lighted Shelf Assy., 18" x 48" PTD		5237745	1	15" x 48" Shelf, WPC
*	9021267	1	Solid Lighted Shelf Assy., 18" x 48" BRT/SS		5643509	1	15" x 48" Shelf, BPC
*	9021251	1	Solid Lighted Shelf Assy., 18" x 48" WPC		5220613	1	18" x 48" Shelf, PTD
*	9021259	1	Solid Lighted Shelf Assy., 18" x 48" BPC		5944623	1	18" x 48" Shelf, BRT/SS
*	9020938	1	Solid Lighted Shelf Assy., 22" x 48" PTD		5237746	1	18" x 48" Shelf, WPC
1	5144974	4	Rivet		5643510	1	18" x 48" Shelf, BPC
2	5236879	1	Narrow Card Molding		5220615	1	22" x 48" Shelf, PTD
*	9026106	1	Lighted Shelf Bench Assy., 15" x 48" PTD	4	5100902	2	Clip
*	9227455	1	Lighted Shelf Bench Assy., 15" x 48" BRT/SS	5	5619204	2	Screw
*	9027355	1	Lighted Shelf Bench Assy., 15" x 48" WPC	6	5185810	1	RH 15" Shelf Bracket, PTD
*	9027360	1	Lighted Shelf Bench Assy., 15" x 48" BPC		5185811	1	LH 15" Shelf Bracket, PTD
*	9026107	1	Lighted Shelf Bench Assy., 18" x 48" PTD		5185814	1	RH 22" Shelf Bracket, PTD
*	9027456	1	Lighted Shelf Bench Assy., 18" x 48" BRT/SS		5185815	1	LH 22" Shelf Bracket, PTD
*	9027356	1	Lighted Shelf Bench Assy., 18" x 48" WPC	7	5981627	2	Lampshield Caps
				8	5981622	1	Lampshield, T-8 46"
				9	5183536	3	Screw
				10	9026104	1	Light Channel Assy., PTD
					9027390	1	Light Channel Assy., BRT/SS
					9025984	1	Light Channel, PTD
					9027487	1	Light Channel, BRT/SS
					9027906	1	Shelf Harness (furn. w/ wired lampholders)
					5217544	2	Lampholders (replacement only)
				11	5127438	4	Spacer
				12	5941919	1	Card Molding Joint Trim



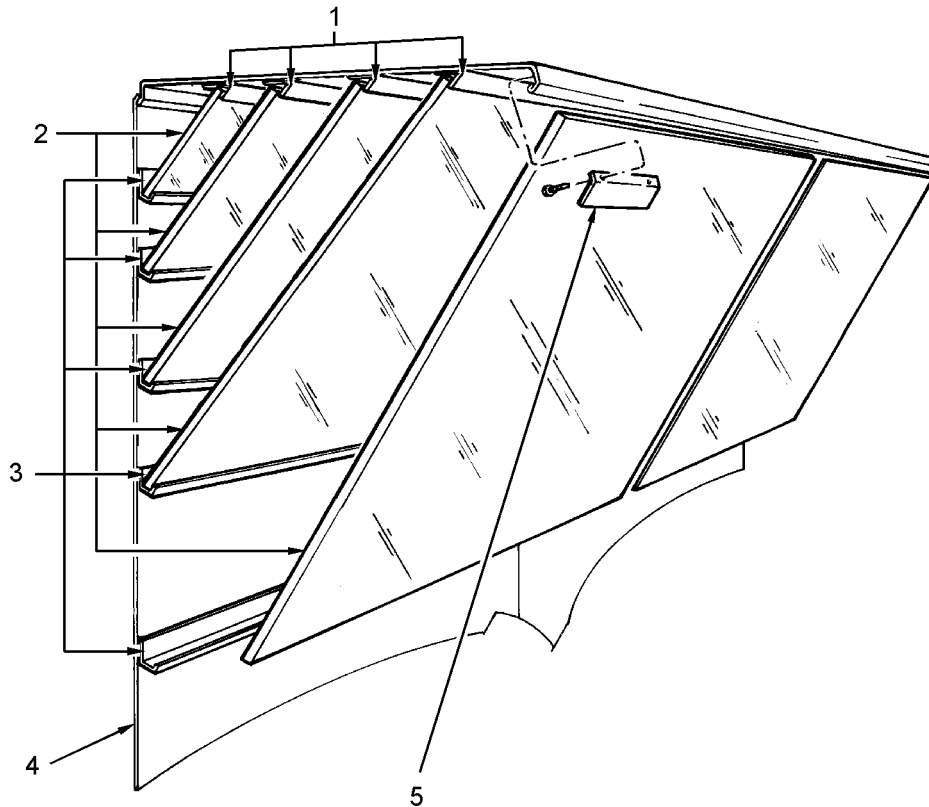
OPTIONAL CASE ACCESSORIES - (CONT'D)
 SHELF ASSEMBLIES - N5P
 Optional T-8 Shelf Light Assembly



Item	Part No.	Qty.	Description
1	5214107	2	Screw
2	5232279	2	Lampholder
3	9025984	1	Shelf Light Channel
4	5111197	1	Screw
5	5103997	1	Lockwasher
6	5103997	1	Lockwasher
7	5111198	1	Nut
8	9027906	1	Light Channel Harness
9	5981627	1	Lampholder Cap
10	5981622	1	Lampshield
	----	1	Lamp



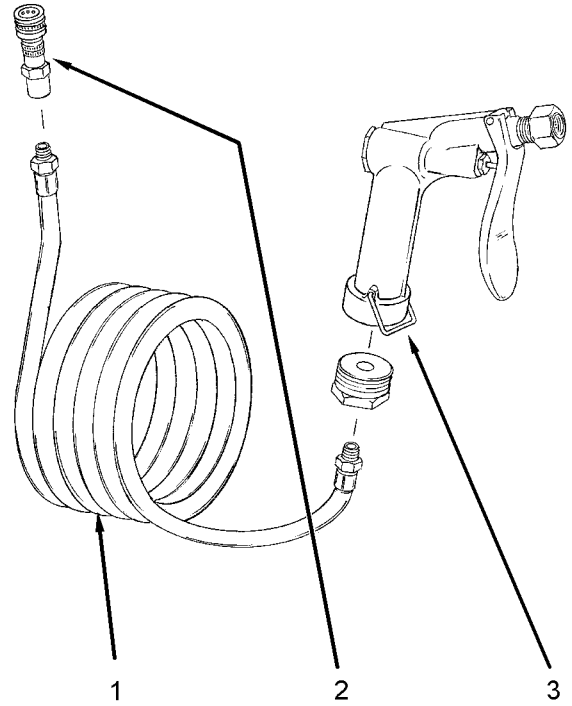
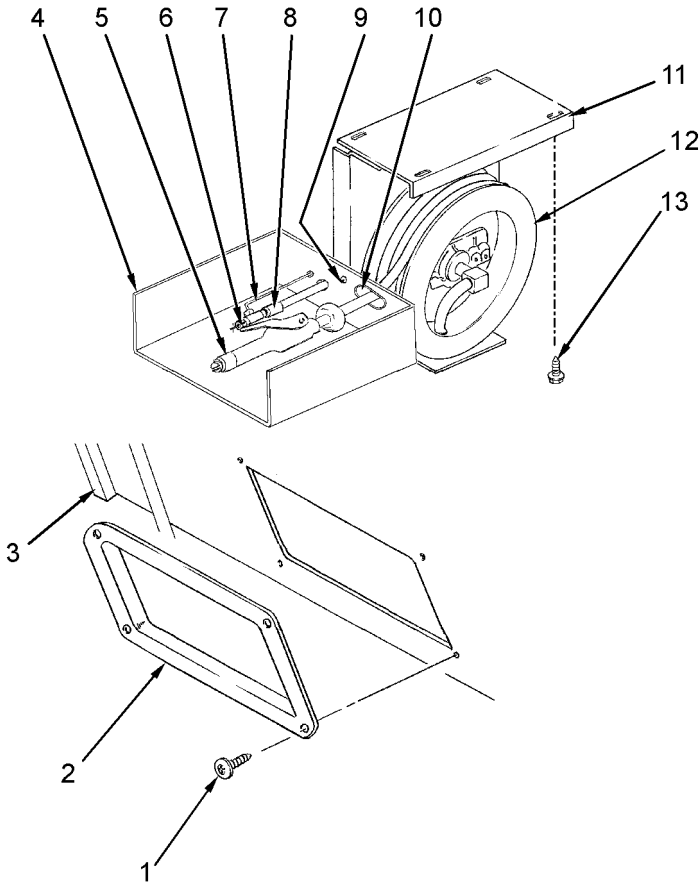
OPTIONAL CASE ACCESSORIES - (CONT'D)
8", 12", 16", 23" and 30" MIRROR ASSEMBLIES - N5P



Item	Part No.	Quantity		Description	Item	Part No.	Quantity		Description
		8'	12'				8'	12'	
1	5185247	1	-	Upper Mirror Support (exc. 30" mirror)		5201233	1	2	Joint Gasket (30" mirror)
	5185248	-	1	Upper Mirror Support (exc. 30" mirror)		5214669	1	2	Adhesive
	5059254	2	3	Mirror Retainer (exp. 30" mirror)		5635641	1	2	Mirror, 47 7/8" x 7 1/2"
	5127438	8	8	Spacer (8" mirror only)		5949851	1	2	Mirror, 47 7/8" x 11 1/2"
	5123781	11	16	Screw (exc. 30" mirror)		5185235	1	2	Mirror, 47 15/16" x 15 1/4"
2	5635642	1	2	8" Mirror Assy.		5125156	1	2	Mirror, 47 7/8" x 22 15/16"
	5949852	1	2	12" Mirror Assy.	3	5199021	2	3	Mirror, 47 7/8" x 31 5/8"
	5185234	1	2	16" Mirror Assy.		5195617	1	-	Lower Mirror Support
	5050057	1	2	23" Mirror Assy.		5195618	-	1	Lower Mirror Support
	5199020	1	2	30" Mirror Assy.		5123781	6	9	Screw
	5217327	2	3	Mirror Lower Trim (30" only)	4	5231595	2	3	Rr. Duct Close-off (12" mirror)
	5145866	1	2	Joint Gasket (8" & 12" mirror)		5245689	2	3	Rr. Duct Close-off (16" mirror)
	5185236	1	2	Joint Gasket (16" mirror)		5231596	2	3	Rr. Duct Close-off (23" mirror)
	5615068	1	2	Joint Gasket (23" mirror)		5249001	2	3	Rr. Duct Close-off (30" mirror)
					5	5183536	12	27	Screw (30" mirror)
						5199115	2	3	Mirror Retainer (30" mirror)
						5123781	4	6	Screw (30" mirror)



OPTIONAL CASE ACCESSORIES - (CONT'D)
WATER STATION COMPONENTS - N5P

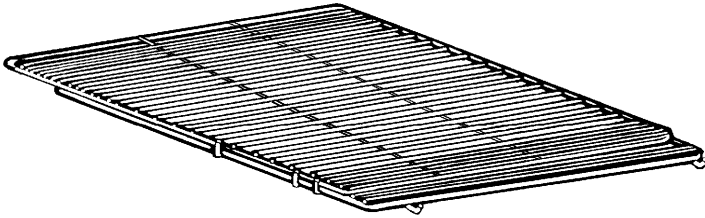


Item	Part No.	Quantity		Description
		8'	12'	
*	9020500	1	-	Water Station Assy.
*	9020501	-	1	Water Station Assy.
1	5119813	4	4	Screw
2	5631573	1	1	Ferrule Insert
3	9030270	1	-	Lwr. Front Cladding w/Cutout
	9030271	-	1	Lwr. Front Cladding w/Cutout
*	5213244	1	1	Hose Reel Water Station
4	5213245	1	1	Control Housing
5	5145598	1	1	Water Nozzle
	5146233	1	1	Reducer Bushing
6	5964423	1	1	Needle Valve
7	5964427	1	1	Water Line
8	5964426	1	1	1/8" Coupling
	5964424	1	1	1/8" Pipe Nipple
9	5111242	2	2	Screw
	5103997	2	2	Washer
	5100650	2	2	Nut
10	5213201	1	1	Grommet
11	5213238	1	1	Mounting Bracket Assy.
12	5080312	1	1	Hose Reel Assy. w/18' Hose
13	5183536	4	4	Screw

Item	Part No.	Qty.	Description
*	5052302	1	12' Spray Hose Assy.
*	5953159	1	18' Spray Hose Assy.
*	5208314	1	24' Spray Hose Assy.
*	5996515	1	30' Spray Hose Assy.
1	5195920	1	12' Hose
	5953158	1	18' Hose
	5208315	1	24' Hose
	5996514	1	30' Hose
2	5195921	1	Female Socket
3	5925354	1	Spray Nozzle

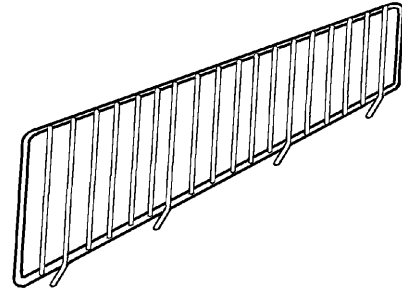


**OPTIONAL CASE ACCESSORIES - (CONT'D)
SCREENS, DIVIDERS, FENCES AND TRAYS**



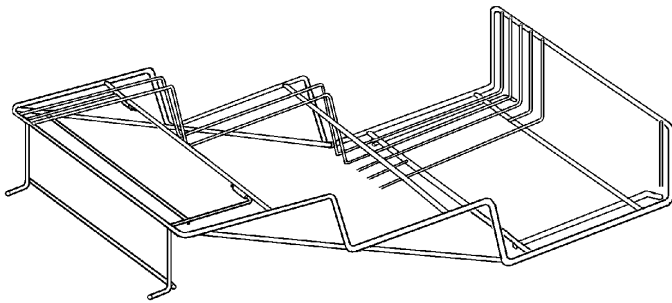
Adjustable Telescoping Screen

Item	Part No.	Quantity		Description
		8'	12'	
*	5983944	1	-	Telescoping Screen Set, WPC
*	5983945	-	1	Telescoping Screen Set, WPC
-	5946888	4	6	Telescoping Screen, WPC



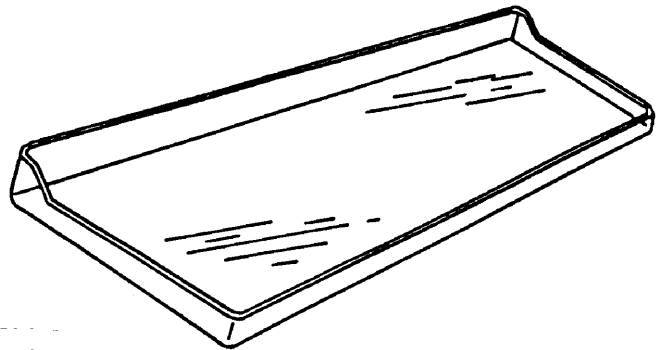
Optional Return Air Wire Fence

Item	Part No.	Quantity		Description
		8'	12'	
*	5903661	1	-	3" Ret. Air Fence, WPC
*	5903662	-	1	3" Ret. Air Fence, WPC
-	5900473	2	3	Wire Fence, 6" x 48"
*	2985328	1	-	6" Ret Air Fence, WPC
*	5985329	-	1	6" Ret. Air Fence, WPC
-	5235216	2	3	Wire Fence, 9" x 48"
*	5985330	1	-	6" Ret. Air Fence, GPC
*	5985331	-	1	6" Ret. Air Fence, GPC
-	5235215	2	3	Wire Fence, 9" x 48"
-	5200333	6	9	Front Fence Retainer
-	5619204	12	18	Screw



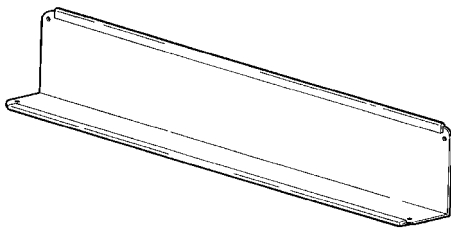
Optional Step Screen

Item	Part No.	Qty.	Description
-	5958662	1	3-Step Hump Screen w/ 10" Fence, GPC



Optional Shelf Tray

Item	Part No.	Qty.	Description
-	5605365	1	15" Closed End Tray, PETG
-	5605366	1	18" Closed End Tray, PETG

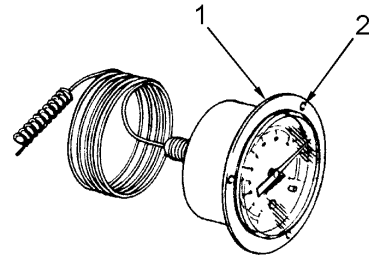
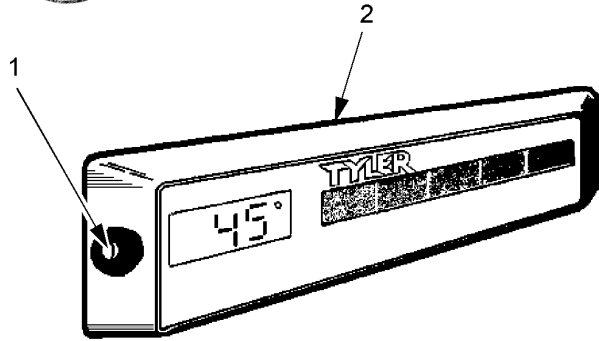


Optional "L" Divider

Item	Part No.	Qty.	Description
*	5962771	1	"L" Divider Assy., Adjustable
-	5962836	1	"L" Divider, Adjustable
-	5962838	2	Bracket, Divider
-	5962837	2	Clip, Divider
-	5135025	2	Clip, Tinnerman
-	5239383	2	Screw



OPTIONAL CASE ACCESSORIES - (CONT'D) THERMOMETERS

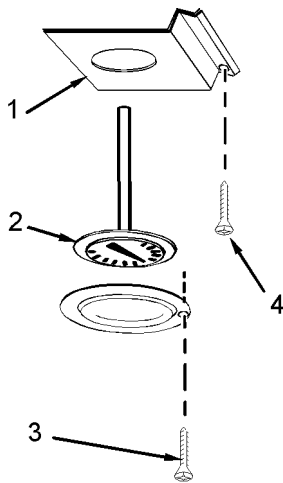


Digital Solar Thermometer

Item	Part No.	Qty.	Description
*	5230902	1	Digital Thermometer Assy., F°
*	5988307	1	Digital Thermometer Assy., C°
1	5230884	2	Screw
2	5239500	1	Digital Thermometer, F°
	5239501	1	Digital Thermometer, C°

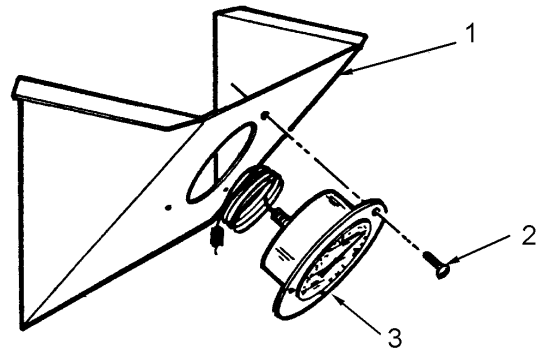
2" Dial Thermometer, Rear Duct

*	5018373	1	Thermometer Assy., Rr. Duct
*	9035534	1	Thermometer Assy., Rr. Duct (w/black face)
1	5204004	1	2" Dial Thermometer
	9035533	1	2" Dial Thermometer, BLK
	-----	1	Mounting Ring (furnished with thermometer)
2	5199134	3	Screw



2" Dial Thermometer, Ret. & Disc. Air

Item	Part No.	Qty.	Description
*	5941573	1	Thermometer Assy., Ret. Air
1	5216870	1	Thermometer Bracket
2	5204004	1	2" Dial Thermometer
	-----	1	Mounting Ring (furnished with thermometer)
3	5199134	3	Screw
4	5619204	2	Screw

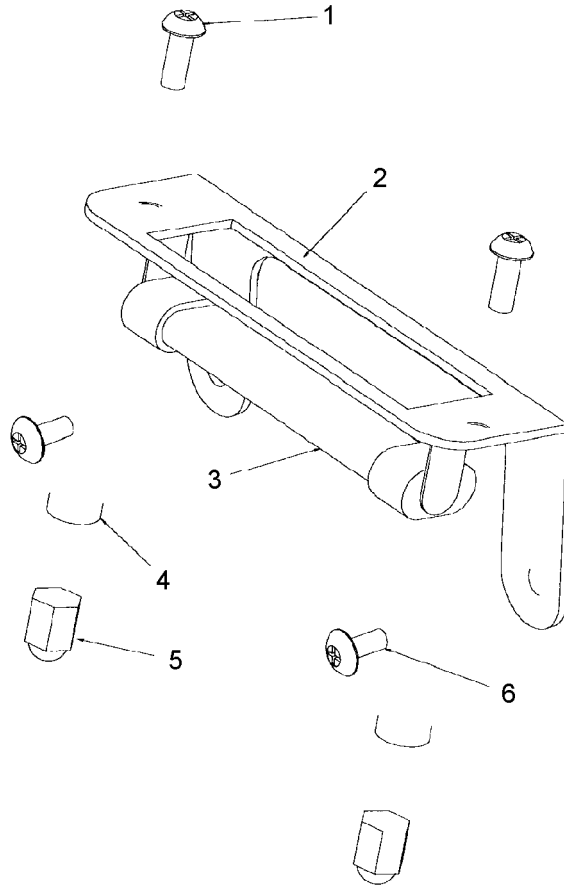


2" Dial Thermometer, Top Shelf

Item	Part No.	Qty.	Description
*	5081504	1	Thermometer Assy., Top Shelf
1	5204762	1	Housing
	5199134	2	Screw
2	5111242	2	Screw
3	5204006	1	1" Dial Thermometer, Vapor
	----	1	Mounting Ring (furnished with thermometer)
*	5941573	1	Thermometer Assy., Top Shelf
1	5216870	1	Bracket
	5619204	2	Screw
2	5199134	3	Screw
3	5204004	1	2" Dial Thermometer, Bimetal
	----	1	Mounting Ring (furnished with thermometer)



OPTIONAL CASE ACCESSORIES - (CONT'D) STANDARD THERMOMETER



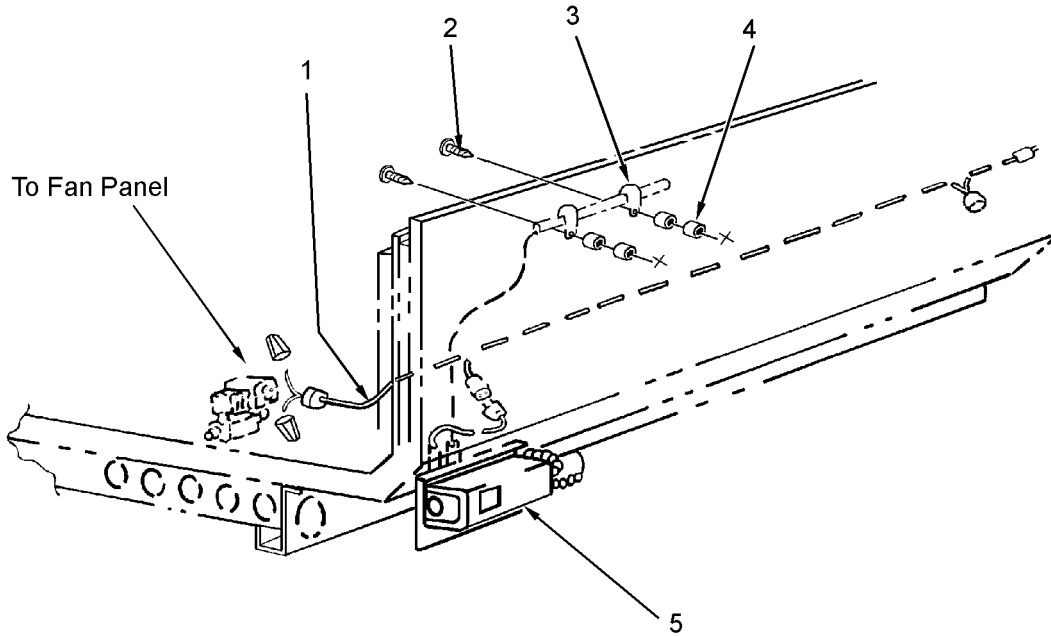
Standard Case Thermometer

Item	Part No.	Qty.	Description
*	9044991	1	Thermometer Assy.,
1	5208265	1	Screw
2	9044990	1	Thermometer Bracket
3	5967100	1	Thermometer - Pencil
4	5103997	2	Washer - SHKRPRF
5	5223244	2	Acorn Nut
6	5102643	2	Screw



OPTIONAL CASE ACCESSORIES - (CONT'D) THERMOSTATS

Optional Thermostat Wired to Solenoid



Item	Part No.	Qty.	Description
*	5216237	1	Thermostat Assy., Wired to Solenoid
1	5210359	1	Solenoid Harness
2	5053985	2	Screw
3	5106713	2	Tubing Clip
4	5127438	4	Spacer
5	5200442	1	Mounting Bracket
	5120943	4	Screw
	5193888	1	Thermostat Assy., Wired