

• N6D MULTISHELF MEDIUM TEMP DAIRY/DELI WEDGE MERCHANDISER •

Refrigeration Data:

MODEL	CASE LENGTH	CASE USAGE	CAPACITY (BTUH / CASE)		EVAPORATOR (°F)	UNIT SIZING (°F)	DISCHARGE AIR		AVG. REF. CHARGE (LBS/CASE)
			PARALLEL	CONVENTIONAL			TEMPERATURE (°F)	VELOCITY (FPM)	
N6DL30OS	39-5/8"	MED TEMP	5,133	5,500	+21	+19	+34	210	N/A
N6DL45IS	43-7/8"	MED TEMP	4,353	4,664	+21	+19	+32	400	N/A
N6DL45OS	51-1/16"	MED TEMP	5,257	5,633	+21	+19	+34	210	N/A
N6DL90IS	70-7/8"	MED TEMP	4,353	6,664	+21	+19	+32	396	N/A
N6DM45OS	51-1/16"	MED TEMP	5,441	5,830	+21	+19	+34	210	N/A
N6DM90IS	70-7/8"	MED TEMP	4,199	4,499	+21	+19	+32	396	N/A
N6DM90OSNL	78-7/8"	MED TEMP	7,909	8,474	+21	+19	+34	209	N/A
N6DH45IS	43-7/8"	MED TEMP	4,658	8,771	+21	+19	+32	400	N/A
N6DH45OS	51-1/16"	MED TEMP	5,625	6,027	+21	+19	+32	210	N/A
N6DH90IS	70-7/8"	MED TEMP	4,049	4,338	+21	+19	+32	396	N/A

* Capacity data listed for cases with 1 row of T-8 canopy lights, optional T-8 shelf lighting. For sizing all refrigeration equipment other than TYLER, use conventional BTUH values.

** Evaporator temperature is based on the saturated pressure leaving the case.

*** Air velocity measured 1 hour after defrost at the top discharge air duct using an ALNOR JR. velometer with a scoop.

FOR SPECIFIC COMPRESSOR SIZING INFORMATION, REFER TO TYLER APPLICATIONS FOR RACK SYSTEM COMPRESSORS AND/OR THE COMPRESSOR MANUFACTURERS FOR SINGLE COMPRESSORS. FOR LINE SIZING INFORMATION, REFER TO THE MISCELLANEOUS SECTION "BUFF" IN THE TYLER SPECIFICATION GUIDE.

Electrical Data:

Fans and Heaters (120 Volt)

MODEL	CASE LENGTH	FANS / CASE	TOTAL STANDARD FANS		TOTAL ECM FANS		TOTAL ANTI-SWEATS	
			AMPS	WATTS	AMPS	WATTS	AMPS	WATTS
N6DL30OS	39-5/8"	1	0.80	71.0	N/A	N/A	N/A	N/A
N6D45IS	43-7/8"	1	0.53	48.0	N/A	N/A	N/A	N/A
N6D45OS	51-1/16"	1	0.53	48.0	N/A	N/A	N/A	N/A
N6D90IS	70-7/8"	1	1.00	82.6	N/A	N/A	N/A	N/A
N6D90OS	78-7/8"	2	1.60	142.0	N/A	N/A	N/A	N/A

T-8 Lighting with Electronic Ballasts (120 Volt)

MODEL	CASE LENGTH	CANOPY LIGHTS* ONE ROW		SHELF LIGHTS - PER ROW										MAXIMUM LIGHTING (6 ROWS)	
		AMPS	WATTS	AMPS					WATTS					AMPS	WATTS
				1	2	3	4	5	1	2	3	4	5		
N6D30OS	39-5/8"	0.66	79.0	0.34	0.66	0.94	1.13	1.41	40.0	80.0	120.0	160.0	200.0	2.07	279.0
N6D45IS	43-7/8"	0.18	20.0	0.29	0.40	0.62	0.74	0.98	24.0	48.0	72.0	96.0	120.0	1.16	140.0
N6D45OS	51-1/16"	0.66	79.0	0.34	0.66	0.94	1.13	1.41	40.0	80.0	120.0	160.0	200.0	2.07	279.0
N6D90IS	70-7/8"	0.18	20.0	0.34	0.66	0.94	1.13	1.41	40.0	80.0	120.0	160.0	200.0	1.59	220.0
N6D90OS	78-7/8"	0.66	79.0	0.34	0.66	0.94	1.13	1.41	40.0	80.0	120.0	160.0	200.0	2.07	279.0

* Standard lighting for this case is 1 row of canopy lights.

Defrost Data:

DEFROST TYPE*	DEFROSTS PER DAY	DURATION TIME (MIN)	TERM.	USAGE	EPR SETTINGS **		DEFROST WATER (LB / DAY)				
					R22 (PSIG)	R404A (PSIG)	30OS	45IS	45OS	90IS	90OS
TIME OFF - ALL MODELS	4	24	- - -	MED TEMP	44	57	28.5	24.8	35.6	24.8	35.6
ELECTRIC - ALL MODELS	4	24	41°F	MED TEMP	44	57					

* If an Electronic Sensor is used for termination, it should be set at 70°F termination temperature. The sensor must be located in the same location as the defrost termination klixon for that defrost type.

** Set EPR to give this pressure at the case

DEFROST CIRCUITS: OFF CYCLE defrost is standard (use TC defrost module) - **OPTIONAL ELECTRIC** defrost uses a single or 3 phase circuit.

CASE CIRCUITS: This case requires a 120V circuit for fans and lights.

ULSANITATION approved in accordance with ANSI/NSF - 7.

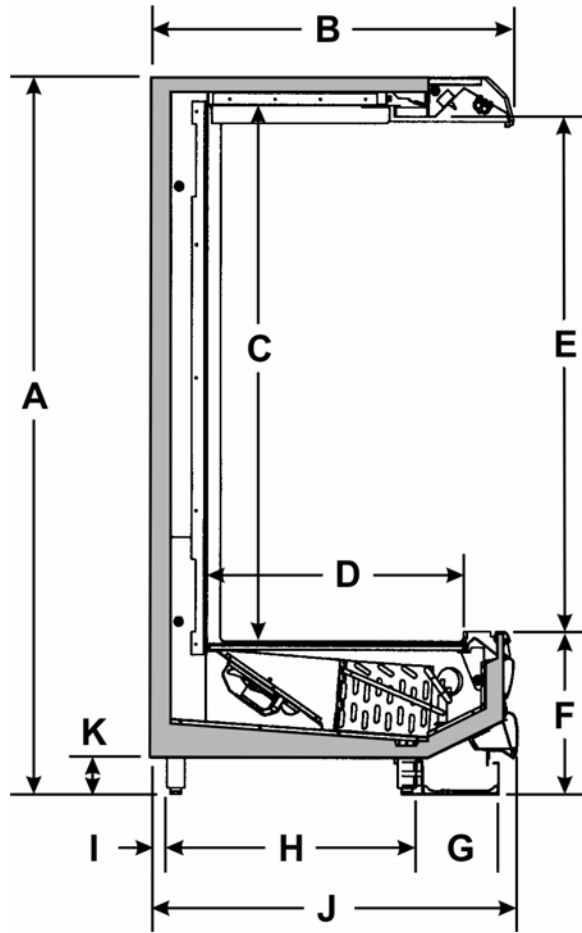
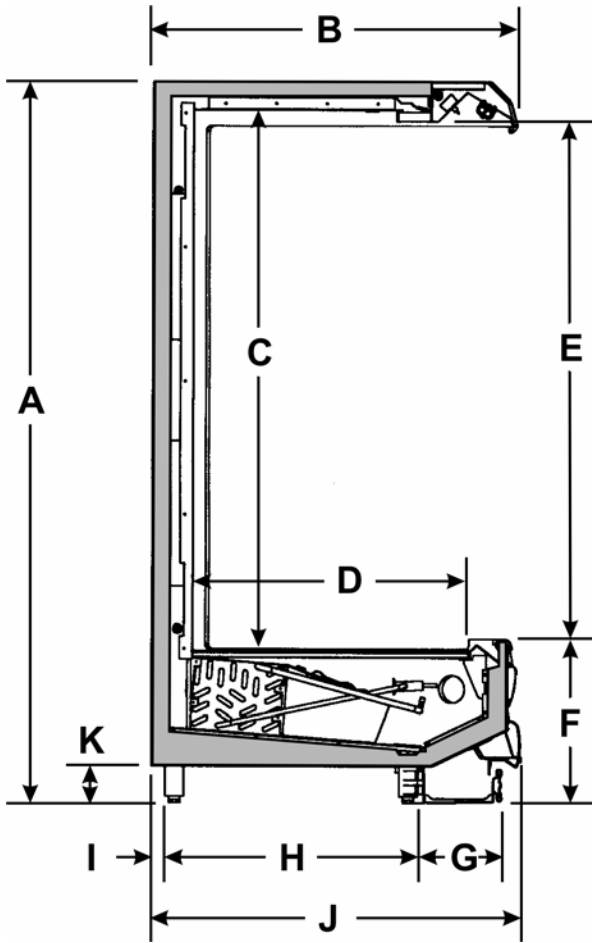
CASE BTUH REQUIREMENTS are calculated to produce approximately the indicated entering-air temperature with absolute maximum operating ambient limits of **75°F & 55RH**.

The information contained herein is based on technical analysis and/or tests performed in a controlled lab environment that are consistent with industry practices, and is intended as a reference for system sizing and configuration purposes only and for use by persons having technical skill at their own discretion and risk. Conditions of use are outside of Tyler's control and we do not assume and hereby disclaim any liability for results obtained or damages incurred through application of or reliance on the data presented, including but not limited to specific energy consumption with any particular model or installed application. SPECIFICATIONS ARE SUBJECT TO CHANGE WITHOUT NOTICE.

DAIRY WEDGE CROSS SECTIONS

**N6DL45IS / N6DL90IS /
N6DM90IS / N6DH45IS / N6DH90IS**

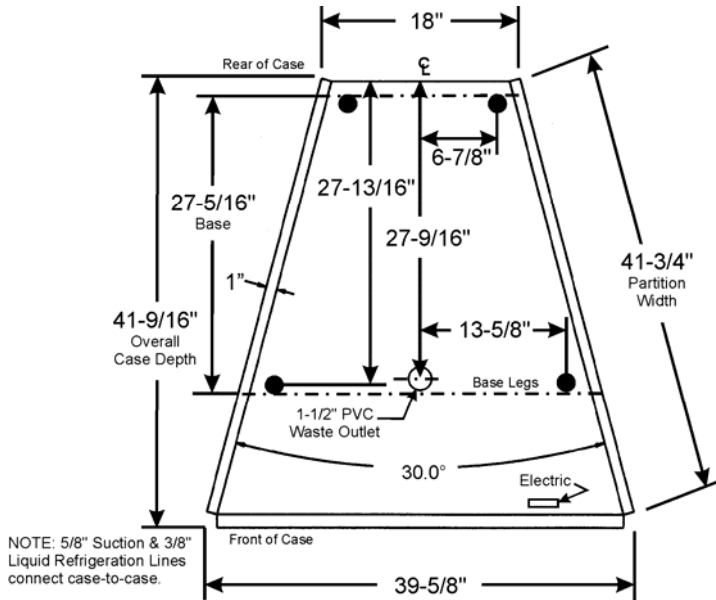
**N6DL30OS / N6DL45OS /
N6DM45OS / N6DM90OS / N6DH45OS**



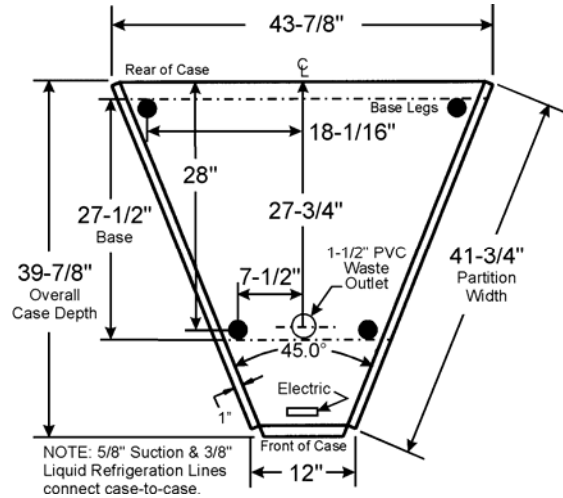
DIMENSIONAL SPECIFICATION	N6DL45IS	N6DL30OS	N6DL45OS	N6DL90IS	N6DM45OS	N6DM90IS	N6DM90OS	N6DH45IS	N6DH45OS	N6DH90IS
A	79"	79"	79"	79"	79"	79"	79"	79"	79"	79"
B	39-3/4"	41"	39-3/4"	31-1/4"	39-3/4"	31-1/4"	30-5/8"	39-3/4"	39-3/4"	31-1/4"
C	59-1/4"	59-1/4"	59-1/4"	59-1/4"	59-1/4"	59-1/4"	59-1/4"	59-1/4"	59-1/4"	59-1/4"
D	30-5/8"	30-1/2"	28-5/8"	22-7/8"	28-5/8"	22-7/8"	20-9/16"	30-5/8"	28-5/8"	22-7/8"
E	56-3/4"	56-3/4"	56-3/4"	56-3/4"	52-7/8"	52-7/8"	52-7/8"	49-1/8"	49-1/8"	49-1/8"
F	18"	18"	18"	18"	21-3/4"	21-3/4"	21-3/4"	25-1/2"	25-1/2"	25-1/2"
G	9-1/8"	9-1/8"	9-1/8"	9-1/8"	9-1/8"	9-1/8"	9-1/8"	9-1/8"	9-1/8"	9-1/8"
H	27-1/2"	27-1/2"	27-1/2"	20-3/4"	27-1/2"	20-3/4"	20-3/4"	27-1/2"	27-1/2"	20-3/4"
I	1-1/2"	1-1/2"	1-1/2"	1-1/2"	1-1/2"	1-1/2"	1-1/2"	1-1/2"	1-1/2"	1-1/2"
J	40-1/4"	41-9/16"	40-1/4"	31-7/16"	40-1/4"	31-7/16"	31-7/16"	40-1/4"	40-1/4"	31-7/16"
K	4"	4"	4"	4"	4"	4"	4"	4"	4"	4"

DAIRY WEDGE FLOOR PLANS

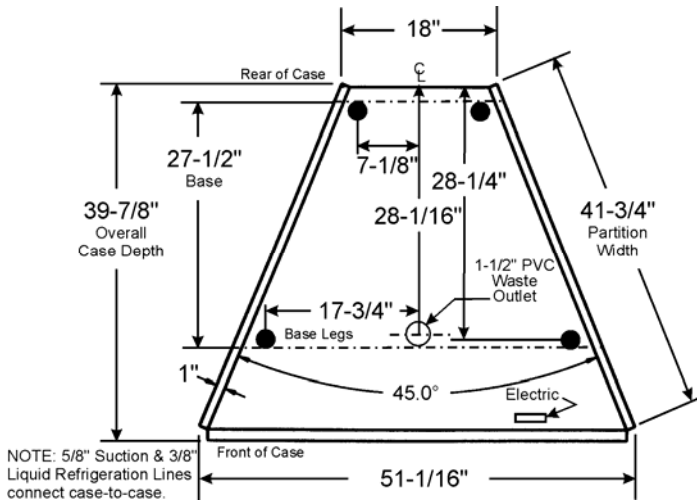
N6DL300S



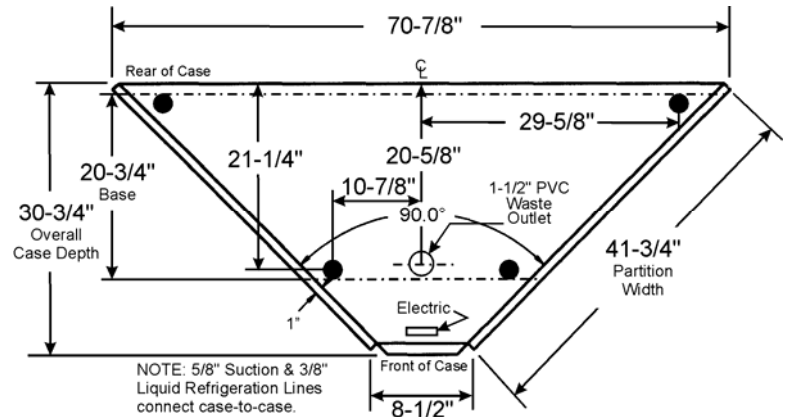
N6DL45IS / N6DH45IS



N6DL45OS / N6DM45OS / N6DH45OS



N6DL90IS / N6DM90IS / N6DH90IS



N6DM90OSNL

