

• N6DHP MULTISHELF HIGH PERF. MED TEMP DAIRY/DELI WEDGE MERCHANDISERS •

Refrigeration Data:

MODEL	CASE LENGTH	CASE USAGE	CAPACITY (BTUH / CASE)		EVAPORATOR (°F)	UNIT SIZING (°F)	DISCHARGE AIR		AVG. REF. CHARGE (LBS/CASE)
			PARALLEL	CONVENTIONAL			TEMPERATURE (°F)	VELOCITY (FPM)	
N6DHPL30IS	33-5/8"	MED TEMP	3,800*	4,108*	+28**	+26	+33	233***	1.63
N6DHPL45IS	43-7/8"	MED TEMP	3,935*	4,254*	+28**	+26	+33	233***	1.63
N6DHPL45OS	51-1/16"	MED TEMP	6,487*	6,951*	+28**	+26	+36	205***	1.31
N6DHPL90IS	70-7/8"	MED TEMP	2,105*	2,255*	+28**	+26	+33	233***	1.63
N6DHPM45IS	43-7/8"	MED TEMP	3,777*	4,083*	+28**	+26	+33	233***	1.63
N6DHPM45OS	51-1/16"	MED TEMP	6,226*	6,672*	+28**	+26	+36	205***	1.31
N6DHPM90IS	70-7/8"	MED TEMP	3,890*	4,206*	+28**	+26	+33	233***	1.63
N6DHPH45IS	43-7/8"	MED TEMP	3,622*	3,915*	+28**	+26	+33	233***	1.63
N6DHPH45OS	51-1/16"	MED TEMP	5,971*	6,398*	+28**	+26	+36	205***	1.31
N6DHPH90IS	70-7/8"	MED TEMP	3,731*	4,032*	+28**	+26	+33	233***	1.63

* Capacity data listed for cases with 1 row of canopy lights and 4 rows of unlighted shelves. For sizing all refrigeration equipment other than TYLER, use conventional BTUH values.

** Evaporator temperature is based on the saturated pressure leaving the case.

*** Air velocity measured 1 hour after defrost at the top discharge air duct using an ALNOR JR. velometer with a scoop.

FOR SPECIFIC COMPRESSOR SIZING INFORMATION, REFER TO TYLER APPLICATIONS FOR RACK SYSTEM COMPRESSORS AND/OR THE COMPRESSOR MANUFACTURERS FOR SINGLE COMPRESSORS. FOR LINE SIZING INFORMATION, REFER TO THE MISCELLANEOUS SECTION "BUFF" IN THE TYLER SPECIFICATION GUIDE.

Electrical Data:

Fans and Heaters (120 Volt)

MODEL	CASE LENGTH	FANS / CASE	TOTAL STANDARD FANS		TOTAL ECM FANS		TOTAL ANTI-SWEATS	
			AMPS	WATTS	AMPS	WATTS	AMPS	WATTS
N6DHP30IS	33-5/8"	1	0.53	48.0	N/A	N/A	N/A	N/A
N6DHP45IS	43-7/8"	1	1.00	82.6	N/A	N/A	N/A	N/A
N6DHP45OS	51-1/16"	1	1.00	82.6	N/A	N/A	N/A	N/A
N6DHP90IS	70-7/8"	1	1.00	82.6	N/A	N/A	N/A	N/A

T-8 Lighting with Electronic Ballasts (120 Volt)

MODEL	CASE LENGTH	CANOPY LIGHTS* ONE ROW		SHELF LIGHTS - PER ROW								MAXIMUM LIGHTING (5 ROWS)	
		AMPS	WATTS	AMPS				WATTS				AMPS	WATTS
				1	2	3	4	1	2	3	4		
N6DHP30IS	33-5/8"	0.30	36.0	0.25	0.50	0.75	1.00	30.0	60.0	90.0	120.0	1.30	156.0
N6DHP45IS	43-7/8"	0.30	36.0	0.25	0.50	0.75	1.00	30.0	60.0	90.0	120.0	1.30	156.0
N6DHP45OS	51-1/16"	0.34	41.0	0.25	0.50	0.75	1.00	30.0	60.0	90.0	120.0	1.34	161.0
N6DHP90IS	70-7/8"	0.30	36.0	0.25	0.50	0.75	1.00	30.0	60.0	90.0	120.0	1.30	156.0

* Standard lighting for this case is 1 row of canopy lights.

Defrost Data:

DEFROST TYPE*	DEFROSTS PER DAY	DURATION TIME (MIN)	ELEK. THERMOSTAT / AIR SENSOR SETTINGS			EPR SETTINGS ***		CONVENTIONAL COMPRESSOR SETTINGS ****				DEFROST WATER (LB / DAY)
			USAGE	CUT IN	CUT OUT	R22 (PSIG)	R404A (PSIG)	R22 (PSIG) CUT-IN	R22 (PSIG) CUT-OUT	R404A (PSIG) CUT-IN	R404A (PSIG) CUT-OUT	
TIME OFF - N6DHP30IS	6	18**	MED TEMP	34°F	32°F	52	66	50	36	64	47	17.0
TIME OFF - N6DHP45IS	6	18**	MED TEMP	34°F	32°F	52	66	50	36	64	47	22.2
TIME OFF - N6DHP45OS	6	16**	MED TEMP	34°F	32°F	52	66	50	36	64	47	25.8
TIME OFF - N6DHP90IS	6	18**	MED TEMP	34°F	32°F	52	66	50	36	64	47	35.8

* All high performance cases use OFF CYCLE defrost.

** NOTE: 16 or 18 minutes is for EPR with suction stop for defrost isolation. Defrost times increases by four minutes when defrost isolation is by pump down.

*** If EPR is utilized, use the settings shown in the chart. ADD 0.5# to EPR setting for each 1000 foot rise in elevation.

**** Required setup for a conventional unit uses an electronic thermostat to assure accurate temperature control.

CASE CIRCUITS: This case requires a 120V circuit for fans and lights.

UL SANITATION approved in accordance with ANSI-NSF - 7.

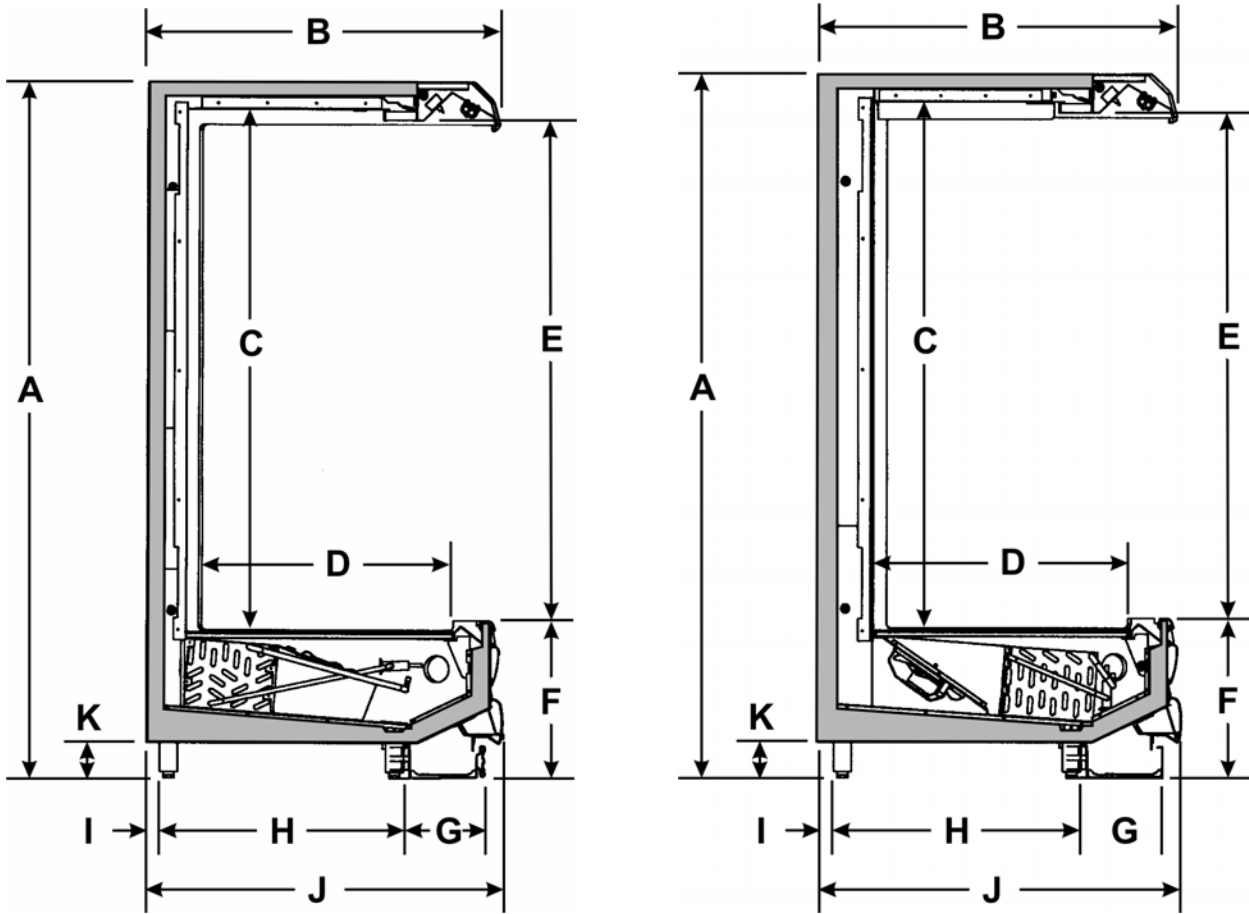
CASE BTUH REQUIREMENTS are calculated to produce approximately the indicated entering-air temperature with absolute maximum operating ambient limits of **75°F & 55RH**.

The information contained herein is based on technical analysis and/or tests performed in a controlled lab environment that are consistent with industry practices, and is intended as a reference for system sizing and configuration purposes only and for use by persons having technical skill at their own discretion and risk. Conditions of use are outside of Tyler's control and we do not assume and hereby disclaim any liability for results obtained or damages incurred through application of or reliance on the data presented, including but not limited to specific energy consumption with any particular model or installed application. SPECIFICATIONS ARE SUBJECT TO CHANGE WITHOUT NOTICE.

DAIRY WEDGE CROSS SECTIONS

**N6DHPL30IS / N6DHPL45IS / N6DHPL90IS /
N6DHPL45IS / N6DHPL90IS / N6DHPH45IS / N6DHPH90IS**

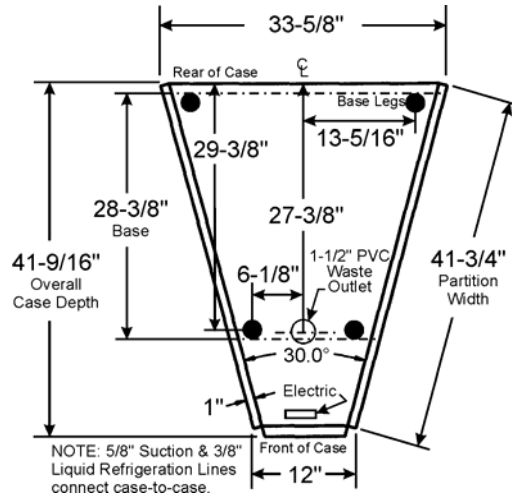
N6DHPL45OS / N6DHPL90OS / N6DHPH45OS / N6DHPH90OS



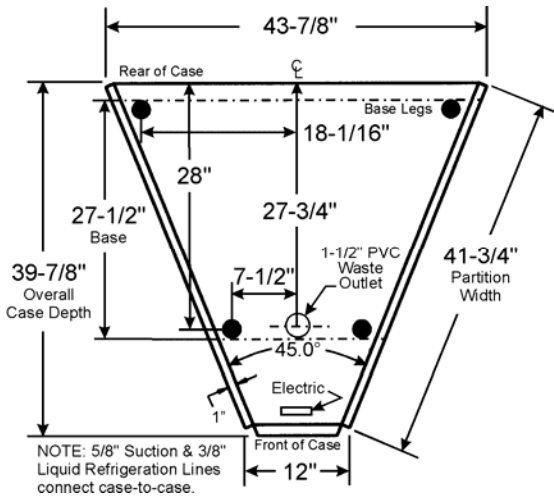
DIMENSIONAL SPECIFICATION	N6DHPL 30IS	N6DHPL 45IS	N6DHPL 45OS	N6DHPL 90IS	N6DHPL 45IS	N6DHPL 45OS	N6DHPL 90IS	N6DHPH 45IS	N6DHPH 45OS	N6DHPH 90IS
A	79"	79"	79"	79"	79"	79"	79"	79"	79"	79"
B	41-1/2"	39-3/4"	39-3/4"	31"	39-3/4"	39-3/4"	31"	39-3/4"	39-3/4"	31"
C	59-1/4"	59-1/4"	59-1/4"	59-1/4"	59-1/4"	59-1/4"	59-1/4"	59-1/4"	59-1/4"	59-1/4"
D	32-1/8"	30-5/8"	28-5/8"	20-7/8"	30-5/8"	28-5/8"	22-3/4"	30-5/8"	28-5/8"	20-7/8"
E	56-3/4"	56-3/4"	56-3/4"	55-1/2"	52-7/8"	52-7/8"	52-7/8"	49-1/8"	49-1/8"	49-1/8"
F	18"	18"	18"	18"	21-3/4"	21-3/4"	21-3/4"	25-1/2"	25-1/2"	25-1/2"
G	9-1/8"	9-1/8"	9-1/8"	9"	9-1/8"	9-1/8"	9"	9-1/8"	9-1/8"	9"
H	28-7/8"	27-1/2"	27-1/2"	20-3/4"	27-1/2"	27-1/2"	20-3/4"	27-1/2"	27-1/2"	20-3/4"
I	1-1/2"	1-1/2"	1-1/2"	1-1/2"	1-1/2"	1-1/2"	1-1/2"	1-1/2"	1-1/2"	1-1/2"
J	42"	40-1/4"	40-1/4"	31-1/4"	40-1/4"	40-1/4"	31-1/4"	40-1/4"	40-1/4"	31-1/4"
K	4"	4"	4"	4"	4"	4"	4"	4"	4"	4"

DAIRY WEDGE FLOOR PLANS

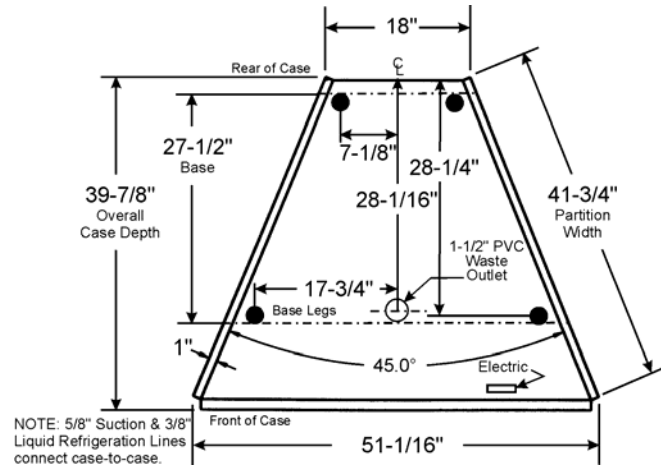
N6DHPL30IS



N6DHPL45IS / N6DHPM45IS / N6DHPH45IS



N6DHPL45OS / N6DHPM45OS / N6DHPH45OS



N6DHPL90IS / N6DHPM90IS / N6DHPH90IS

