

N6DLR, N6DMR, N6DHPLR, N6DHPMR

TC Coil™



Model N6DLR shown



N6DR and N6DHPR rear-feed vertical multi-deck merchandisers offer up to six levels of merchandising area and two front height variations that maximize merchandising options for dairy, deli and beverage products. Sliding rear doors provide easy access from an attached cold room for easy stocking and merchandising.

High Performance TC Coil™

High Performance (HP) Merchandisers feature our patented TC Coil™ design, which represents a major technology breakthrough for the commercial refrigeration industry. Developed jointly by Carrier Corporation and Tyler, the TC Coil™ enables HP merchandisers to operate more efficiently, providing energy savings that allow faster payback periods for food retailers.

Note: For more information about Tyler high performance display merchandisers featuring TC Coil™, go to the Technologies section of this catalog on page 8.

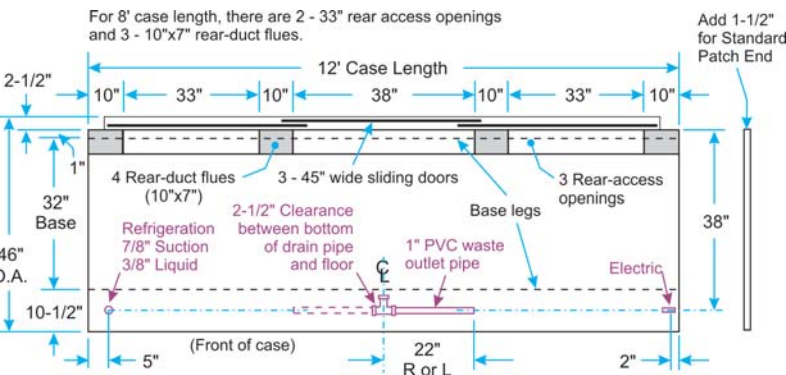
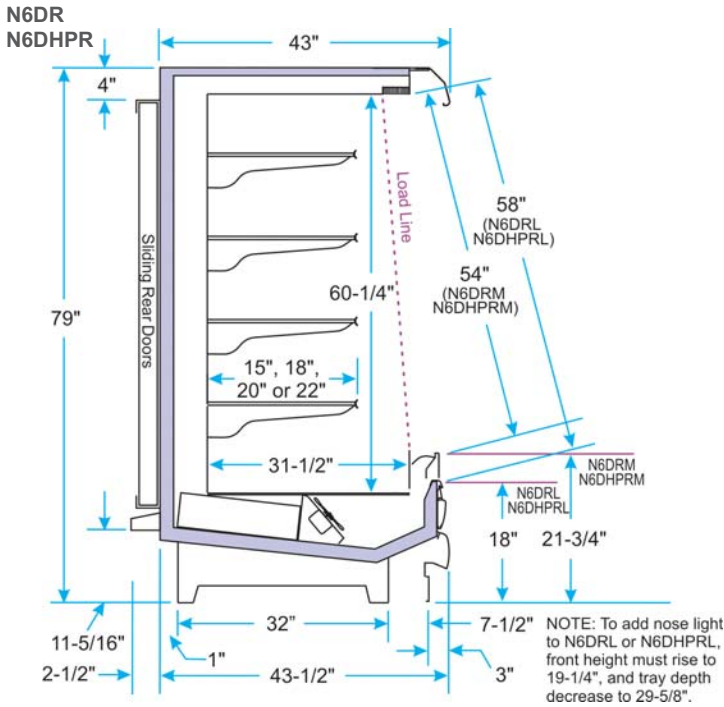
Features & Benefits

- ♦ Energy-efficient copper tube and aluminum fin coils.
- ♦ Double row of energy-efficient T8 canopy lights.
- ♦ Hinged light channel allows easy access to ballasts.
- ♦ Solid steel base adds strength and durability.
- ♦ Rear-duct flues between the case's rear access areas distribute cold air evenly.
- ♦ Sliding rear doors provide easy access from the cold room.
- ♦ Easily removable interior components for quicker cleaning.
- ♦ Fan assembly design allows access to coil and drain pan.
- ♦ Off-cycle defrost.

Options

- ♦ ECM fan motors for additional energy savings.
- ♦ Energy-efficient T8 nose light for greater product illumination.
- ♦ Multiple depth shelving alternatives.
- ♦ 3 or 6 position shelf brackets for varied shelf display angles.
- ♦ Electric or gas defrost. (N6DR cases only)

Specifications are subject to engineering changes without notice.



Model	Case Length	Description	Capacity in Cubic Feet*
N6DLR	8' • 12'	18" Front, Rear-Feed Multi-Deck, standard coil	74.7 • 112.1
N6DMR	8' • 12'	22" Front, Rear-Feed Multi-Deck, standard coil	74.7 • 112.1
N6DHPLR	8' • 12'	18" Front, Rear-Feed Multi-Deck, TC Coil	74.7 • 112.1
N6DHPMR	8' • 12'	22" Front, Rear-Feed Multi-Deck, TC Coil	74.7 • 112.1

* Cubic capacity is based on four rows of 22" shelves.

Optional Accessories

Energy efficient T8 nose lights provide additional illumination for products on lower shelves.

