

TYLER
REFRIGERATION



Carrier

A United Technologies Company

A series
Advantage

Installation & Service Manual



NFNX, NCNX, NFNGX, NCNGX

NARROW ISLAND FROZEN FOOD & ICE CREAM MERCHANDISERS
Low Temperature Self Serve Display Cases

**This manual has been designed to be used in conjunction with the
General (UL/NSF) Installation & Service Manual.**

Save the Instructions in Both Manuals for Future Reference!!

This merchandiser conforms to the American National Standard Institute & NSF International Health and Sanitation standard ANSI/NSF 7 - 2003.

PRINTED IN U.S.A.	Specifications subject to change without notice.	REPLACES EDITION	1/06	ISSUE DATE	11/07	PART NO.	9037143	REV.	C
-------------------	--	------------------	------	------------	-------	----------	---------	------	---

CONTENTS

	<u>Page</u>
Specifications	
NFNX/NCNX/NFGX/NCNGX Specification Sheets	4
Line Sizing Requirements (See General-UL/NSF I&S Manual)	
Pre-Installation Responsibilities (See General-UL/NSF I&S Manual)	
Installation Procedures	
Carpentry Procedures	6
Case Pull-Up Locations	6
1" Solid Partition	6
Plexiglas Partition	6
Trim Installation/Alignment	6
Plumbing Procedures (See General-UL/NSF I&S Manual)	
Refrigeration Procedures	7
Optional Dual Temperature Control	7
Electrical Procedures	7
Electrical Considerations	7
Defrost Information	8
Defrost Control Chart	8
Installation Procedure Check Lists (See General-UL/NSF I&S Man.)	
Wiring Diagrams	8
NFNX/NCNX/NFGX/NCNGX	
Domestic & Export (50 Hz) Case Circuits	9
Dual Temperature Control Circuits	11
Cleaning and Sanitation (See General-UL/NSF I&S Manual)	
Component Removal and Installation Instructions for Cleaning 13	
Bottom Trays	13
NSF Product Thermometer	13
Discharge Air Honeycomb	13
Rear Air Duct Panels	13
Front Air Ducts Panels	13
Corner Trim	13
Front Cladding	13

	<u>Page</u>
Service Instructions	
Preventive Maintenance (See General-UL.NSF I&S Manual)	
Fan Blade and Motor Replacement (See General-UL/NSF I&S Man.)	
Color Band and Bumper Replacement (See Gen.-UL/NSF I&S Man.)	
NSF Product Thermometer Replacement	14
Corner Trim Replacement	14
Defrost Heater Replacement	15
Anti-Sweat Replacement	15
Front Glass Replacement (NFNGX/NCNGX)	16
Parts Information	
Operational Parts List	17
Cladding and Optional Trim Parts List	18
NFNX and NCNX	18
NFNGX and NCNGX20
TYLER Warranty (See General-UL/NSF I&S Manual)	

The following Low Temperature Narrow Island Frozen Food and Ice Cream Merchandiser models are covered in this manual:

MODEL	DESCRIPTION
NFNX	8' & 12' NARROW ISLAND FROZEN FOOD MERCHANDISERS
NCNX	8' & 12' NARROW ISLAND ICE CREAM MERCHANDISERS
NFNGX	8' & 12' GLASS FRONT NARROW ISLAND FROZEN FOOD MERCHANDISERS
NCNGX	8' & 12' GLASS FRONT NARROW ISLAND ICE CREAM MERCHANDISERS

SPECIFICATIONS

NFNX/NCNX/NFGNX/NCNGX Narrow Island FF & IC Merchandisers

Refrigeration Data:

MODEL	CASE LENGTH	CASE USAGE	CAPACITY (BTUH / FT)		EVAPORATOR (°F)	UNIT SIZING (°F)	DISCHARGE AIR		AVG. REF. CHARGE (LBS/FT)
			PARALLEL	CONVENTIONAL			TEMPERATURE (°F)	VELOCITY (FPM)	
NFNX	8', 12'	FROZEN	313*	327*	-25***	-28	-15	200****	028†
NCNX	8', 12'	ICE CREAM	390*	400*	-35***	-38	-25	200****	028†
NFNX	8', 12'	MED TEMP	314*	322*	+15***	+13	+22	200****	028†
NFGNX	8', 12'	FROZEN	366*	382*	-25***	-28	-15	200****	028†
NCNGX	8', 12'	ICE CREAM	456*	468*	-35***	-38	-25	200****	028†
NFGNX	8', 12'	MED TEMP	367*	376*	+15***	+13	+22	200****	028†

* For sizing all refrigeration equipment other than TYLER, use conventional BTUH values.

** BTUH rating is for entire end case.

*** Evaporator temperature is based on the saturated pressure leaving the case.

**** Air velocity is measured 60 minutes after defrost at the Discharge Air Ducts.

† Charges listed are per side on back-to-back cases. This is an average refrigeration charge per foot based on R22 and R404A refrigerant usage.

FOR SPECIFIC COMPRESSOR SIZING INFORMATION, REFER TO TYLER APPLICATIONS FOR RACK SYSTEM COMPRESSORS AND/OR THE COMPRESSOR MANUFACTURERS FOR SINGLE COMPRESSORS. FOR LINE SIZING INFORMATION, REFER TO THE MISCELLANEOUS SECTION "BUFF" IN THE TYLER SPECIFICATION GUIDE.

Electrical Data:

Fans (120 Volt) and Optional T-8 Lighting with Electronic Ballasts (120 Volt)

MODEL	CASE LENGTH	FANS / CASE	TOTAL FOR STANDARD FANS		TOTAL FOR ECM FANS	
			AMPS	WATTS	AMPS	WATTS
NFN(G)X/NCN(G)X	8'	2	0.68*	60.4*	0.44*	22.0*
NFN(G)X/NCNGX	12'	3	1.02*	90.6*	0.66*	33.0*

Heaters (120 and 208 Volt)

MODEL	CASE LENGTH	ANTI-SWEAT HEATERS (120 V)				DEFROST HEATERS (208 V)		DRAIN PAN HEATER (120V)	
		DISCHARGE AIR		HEATED GLASS		AMPS	WATTS	AMPS	WATTS
		AMPS	WATTS	AMPS	WATTS				
NFNX/NCNX	8'	1.80	216.0	N/A	N/A	6.6 / 13.8	1,373 / 2,870	N/A	N/A
NFGX/NCNGX	8'	2.70	324.0	1.60	192.0	6.6 / 13.8	1,373 / 2,870	N/A	N/A
NFNX/NCNX	12'	2.40	288.0	N/A	N/A	10.3 / 20.6	2,142 / 4,285	N/A	N/A
NFGX/NCNGX	12'	3.70	444.0	2.80	336.0	10.3 / 20.6	2,142 / 4,285	N/A	N/A

CASE CIRCUITS: In addition to a 208V defrost circuit, there is the 120V case fan circuit plus the 120V case anti-sweat circuit.

UL SANITATION approved in accordance with ANSI/NSF – 7.

CASE BTUH REQUIREMENTS are calculated to produce approximately the indicated entering-air temperature with absolute maximum operating ambient limits of **75°F & 55RH.**

The information contained herein is based on technical analysis and/or tests performed in a controlled lab environment that are consistent with industry practices, and is intended as a reference for system sizing and configuration purposes only and for use by persons having technical skill at their own discretion and risk. Conditions of use are outside of Tyler's control and we do not assume and hereby disclaim any liability for results obtained or damages incurred through application of or reliance on the data presented, including but not limited to specific energy consumption with any particular model or installed application. SPECIFICATIONS ARE SUBJECT TO CHANGE WITHOUT NOTICE.

208 VOLT DEFROST (AMPS)														
FEET	8	12	16	20	24	28	32	36	40	44	48	52	56	60
FF/MED 1 PH	6.6 TG-30	10.3 TG-30	13.8 TG-40	17.2 TG-50	20.6 TG-30	24.1 TG-40	27.5 TG-40	30.9 TG-40	34.3 TG-50	37.8 TG-50	41.2 TG-50	44.6 TG-50	N/A	N/A
FF/MED 3 PH	N/A	N/A	12.0 TG-3-30	15.0 TG-3-30	18.0 TG-3-30	15.0 TG-3-30	18.0 TG-3-30	18.0 TG-3-30	21.0 TG-3-30	25.0 TG-3-40	28.0 TG-3-40	30.0 TG-3-40	33.0 TG-3-50	36.0 TG-3-50
IC 1 PH	13.8 TG-30	20.6 TG-50	27.6 TG-40	34.4 TG-50	41.2 TG-50	(Separate circuit recommended due to high amp draw) N/A								
IC 3 PH	N/A	N/A	42.0 TG-3-30	30.0 TG-3-40	36.0 TG-3-50	30.0 TG-3-40	36.0 TG-3-50	36.0 TG-3-50	43.0 TG-3-50	30/36 TG-3-50/50	36/36 TG-3-50/50	36/30 TG-3-50/50	36/36 TG-3-50/50	N/A

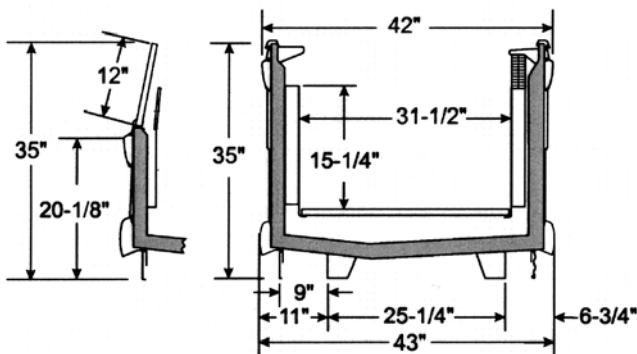
CASE-TO-CASE SUCTION LINE SUB-FEED BRANCH LINE SIZING														
FEET	8	12	16	20	24	28	32	36	40	44	48	52	56	60
R404A FF	5/8"	7/8"	7/8"	7/8"	7/8"	7/8"	1-1/8"	1-1/8"	1-1/8"	1-1/8"	1-1/8"	1-1/8"	1-3/8"	1-3/8"
R404A IC	7/8"	7/8"	7/8"	1-1/8"	1-1/8"	1-1/8"	1-1/8"	1-1/8"	1-3/8"	1-3/8"	1-3/8"	1-3/8"	1-3/8"	1-3/8"
R22 MED	5/8"	7/8"	7/8"	7/8"	7/8"	7/8"	1-1/8"	1-1/8"	1-1/8"	1-1/8"	1-1/8"	1-1/8"	1-3/8"	1-3/8"

Defrost Data:

DEFROST TYPE	DEFROSTS PER DAY	DURATION TIME (MIN)	TERMINATION TEMP. (°F)	EPR SETTINGS **		DEFROST WATER (LB / FT / DAY)
				R22 (PSIG)	R404A (PSIG)	
ELECTRIC / FF	1	60	50	7	14	N/A
ELECTRIC / IC	1	36	50	3	8	N/A
ELECTRIC / MED	1	36	50	38	50	N/A
HOT GAS / FF	2-3	20-25	55*	7	14	N/A
HOT GAS / IC	1	25-30	55*	3	8	N/A
HOT GAS / MED	2-3	16-20	55*	38	50	N/A

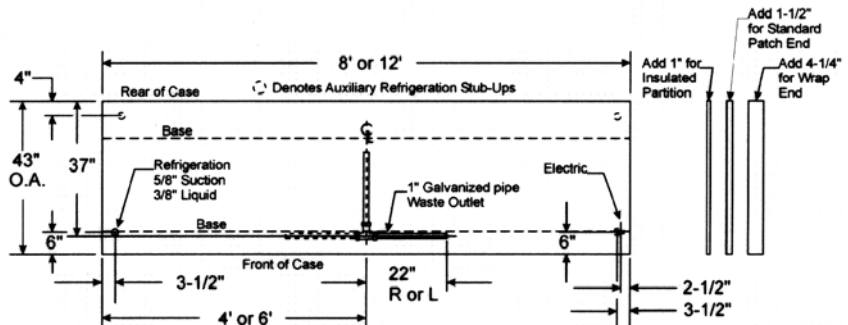
* If an Electronic Sensor is used for termination, it should be set at 70°F termination temperature.
 ** Set EPR to give this pressure at the case.

NFNX/NCNX/NFNGX/NCNGX CROSS SECTION



FLOOR PLAN FOR NARROW ISLAND CASES

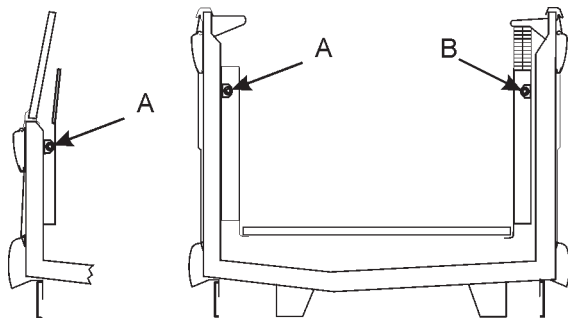
STUB-UP NOTE: One floor drain can serve up to two cases per drain. One electrical stub-up can serve a number of cases depending on the circuits required – utilizing the continuous wire raceway(s) on the front of the cases. One refrigeration stub-up can serve several or all cases on a line-up with case-to-case piping. Maximum 1 5/8" for case-to-case piping.



INSTALLATION PROCEDURES

Carpentry Procedures

Case Pull-Up Locations



The NFNX/NCNX/NFGNX/NCNGX models have two pull-ups at each end of the case. Pull-ups A and B are located as shown and used for joining all cases. All pull-ups should be installed and tightened starting with A and finishing with B.

1" Solid Partition

A 1" insulated partition is required between adjacent gas defrost cases that are on different refrigeration systems. 1" partitions are shipped installed as specified in the case order. Make sure the partitioned case is being installed in the proper location in the case line-up. This assures proper refrigeration to all parts of the case line-up.

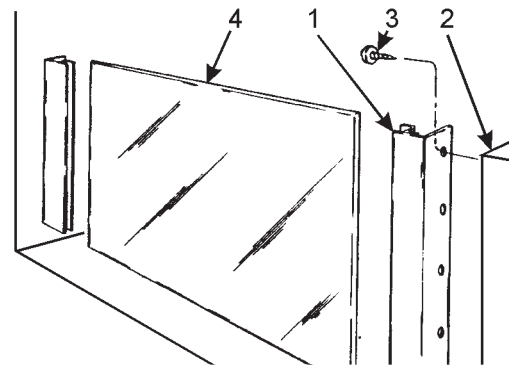
Apply sealant to outside surface of partition where the two surfaces of the adjoining case will contact the partition.

See "General-UL/NSF I&S Manual" for line-up assembly instructions.

After all case pull-ups have been secured, all interior wall joint seams should be sealed with duct tape.

Plexiglas Partition

A plexiglas plug partition is required on adjacent electric defrost cases that are on different refrigeration systems. These partitions can be installed after the cases have been joined.



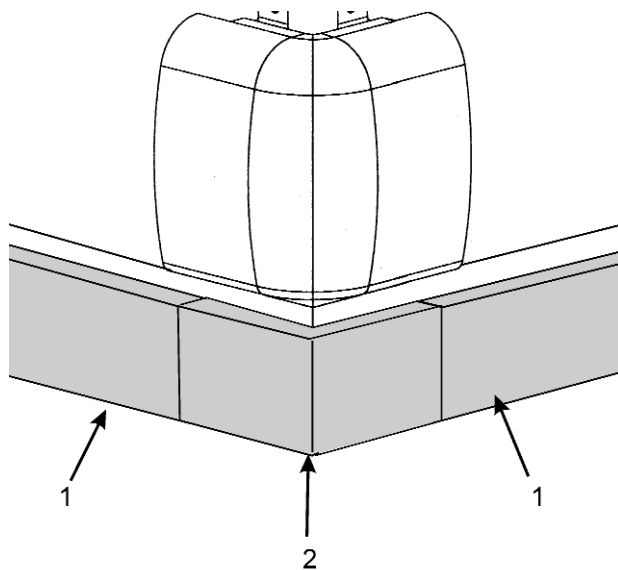
1. Install partition brackets (1) at case joint on front, center and/or rear case wall (2) with screws (3)
2. Slide plexiglas partitions (4) into partition brackets (1).

Trim Installation/Alignment

See "General-UL/NSF I&S Manual" for bumper, color band, raceway and kickplate installation.

Corner Trim Installation

Most corner trim on these cases comes factory installed. The kickplate corner trim requires field installation.



After kickplates (1) have been installed, position kickplate corner trim (2) over both ends of the kickplates (1) and secure with screws.

Refrigeration Procedures

See “General-UL.NSF I&S Manual” for general system, control and superheat information.

Optional Dual Temperature Control

The dual temperature control unit is a factory installed option. This control allows the user to easily switch from medium to low temperature operation by flipping a switch. The dual temperature control consists of an EPR valve in the suction line coming off the evaporator. The EPR valve can be bypassed with a solenoid controlled bypass line around it. The toggle switch opens or closes this solenoid.

When the solenoid is open, the evaporator is connected directly to the compressor suction that allows for low temperature operation. When the solenoid is closed, the evaporator must operate through the EPR valve which has been preset to the desired medium temperature.

EXAMPLE: R-404A system with 12 psig of suction pressure. With the suction line solenoid open, the coil pressure operates at 12 psig with a temperature of -29°F. When the toggle switch is flipped, the solenoid closes directing the flow through the EPR valve. If the EPR valve is set for 48 psig, the evaporator will see a coil temperature of 12°F and will operate at a discharge air temperature of about 22°F.

When gas defrost is used, an additional check valve is mounted around the EPR valve to allow reverse flow for the defrosting gas. A fan delay is also connected with gas defrost to cycle the fans off, but only during the medium temperature mode.

Electrical Procedures

Electrical Considerations

CAUTION

Make sure all electrical connections are tight. This prevents burning of electrical terminals and/or premature component failure.

NOTE

The raceway houses the electrical wiring and components for the case. All raceway covers will be shipped loose.

Case Fan Circuit

This circuit is to be supplied by an uninterrupted, protected 120V circuit. The case fan circuit is not cycled, except when equipped for gas defrost. On gas defrost cases the fan circuit is controlled by a 50/40 klixon when used for medium temperatures.

NOTE

With gas defrost, the fans will not start until the coil temperature reaches 40°F at the fan delay klixon.

Anti-Sweat Circuit

All cases have at least one anti-sweat heater in each discharge air grid and return air grid. Cases with glass have an additional anti-sweat heater under the glass retainer. Anti-sweat heaters are wired directly to the main power supply so they can operate at all times.

Defrost Information

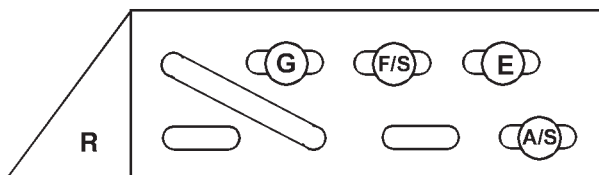
See “General-UL/NSF I&S Manual” for operational descriptions for each type of defrost control.

Defrost Control Chart

NFNX/NCNX/NFGX/NCNGX

Defrost Type	Defrosts Per Day	Defrost Duration (Min)	Term. Temp.
Electric/FF	1	60	50°F
Electric/IC	1	36	50°F
Electric/MED	1	36	50°F
Gas/FF	2-3	20-25	55°F
Gas/IC	1	25-30	55°F
Gas/MED	2-3	16-20	55°F

- E = Electric Defrost Termination
- F/S = Electric Defrost Failsafe (Opt.)
- G = Gas Defrost Fan Delay (Dual Temp)
- A/S = Glass Anti-Sweat (Dual Temp)



NFNX/NCNX/NFGX/NCNGX

Most klixons are located on the end of the evaporator coil. The diagram shows the location for each defrost type that uses a klixon.

NOTE

The defrost termination klixon for gas defrost is located at the bypass check valve.

CAUTION

If electronic sensors are used in place of the klixons, the sensors must be located in the same location as the klixons for that defrost type. Any other locations will effect the refrigeration efficiency of the case.

WIRING DIAGRAMS

ELECTRICIAN NOTE - OVERCURRENT PROTECTION

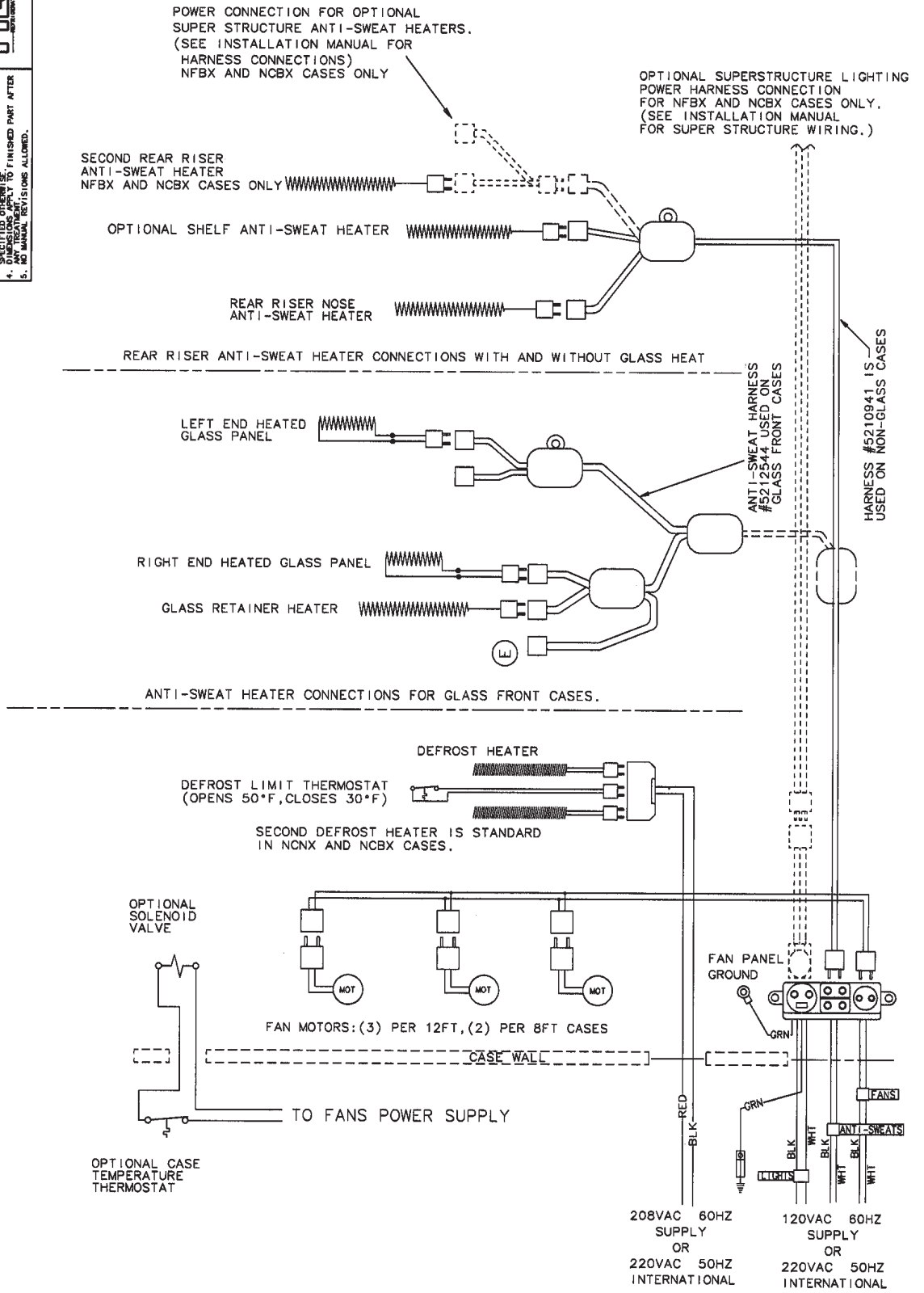
120V circuits should be protected by 15 or 20 Amp devices per the requirements noted on the cabinet nameplate or the National Electrical Code, Canadian Electrical Code - Part 1, Section 28. 208V defrost circuits employ No. 12 AWG field wire leads for field connections. On remote cases intended for end to end line-ups, bonding for ground may rely upon the pull-up bolts.

The following wiring diagrams on pages 9 thru 12 will cover the NFN(G)X/NCN(G)X case circuits and dual temp circuits with electric and hot gas defrost options.

NF(G)NX/NC(G)NX Domestic & Export (50 Hz) Case Circuits



1. TYLER REFRIGERATION CLAIMS RIGHTS.
2. INFORMATION IS FOR ENGINEERING USE ONLY.
3. ALL DIMENSIONS ARE IN INCHES UNLESS NOTED.
4. DIMENSIONS ARE TO UNFINISHED PART AFTER FINISHING.
5. ANY TOLERANCE NOT SPECIFIED IS AS ALLOWED.



REV	DATE	BY	CHK	DESCRIPTION
E	97-057		CK	REMOVED THE GLASS TRIM RAIL HEATER AND CHANGED THE BORDER
	50004			50004
	090CT07			
	22JUL97			
	LC			
	CK			
	NONE			
	NAME			
	DIAGRAM WRG ELEC DFR			
	NFN(G)X NCN(G)X			

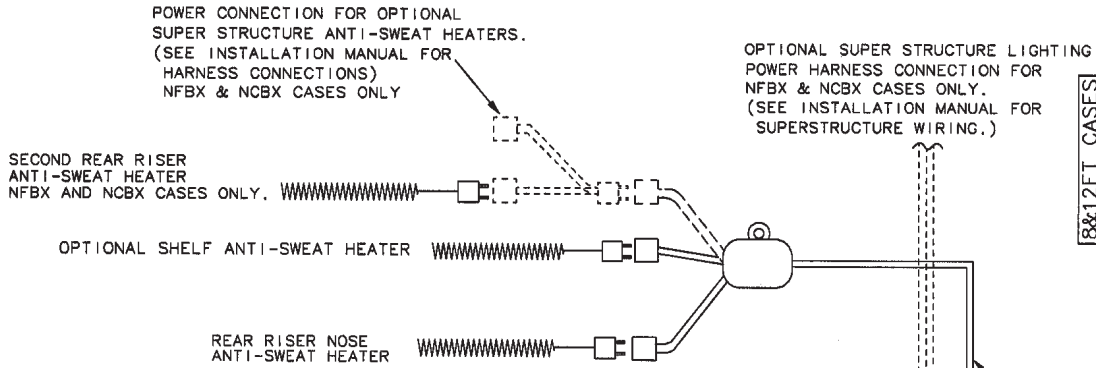
ALSO APPLIES TO 8&12FT: NFB(G)X, NCBX

9028668 E

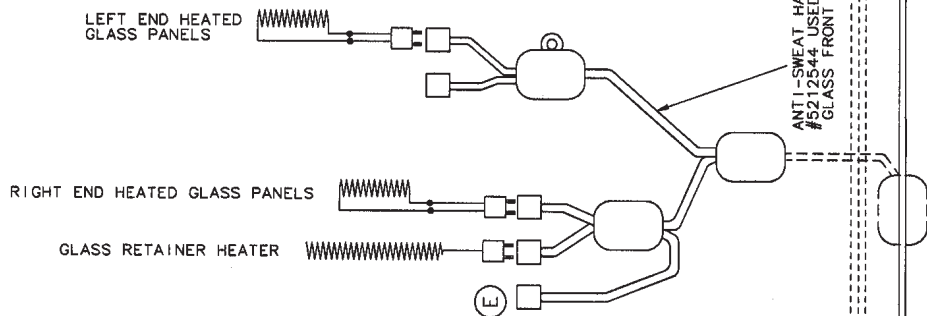
NOTE: ALL CASES MUST BE GROUNDED



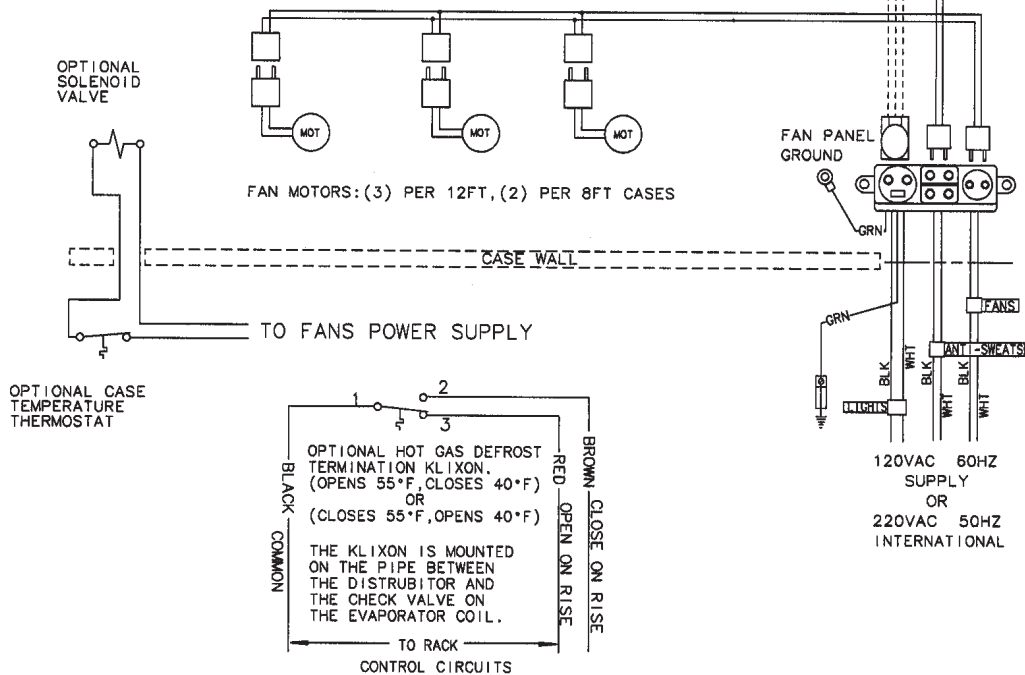
1. TYLER REVISIONS ARE IN GLASS INCHES.
 TO THE INFORMATION ON THIS DRAWING.
 2. AND MAY NOT BE USED WITHOUT THE USE OF ONLY.
 3. ALL DIMENSIONS ARE IN INCHES UNLESS NOTED.
 4. DIMENSIONS APPLY TO FINISHED PART AFTER
 5. NO MANUAL REVISIONS ALLOWED.



REAR RISER ANTI-SWEAT HEATER CONNECTIONS WITH AND WITHOUT GLASS HEAT



ANTI-SWEAT HEATER CONNECTIONS FOR GLASS FRONT CASES ONLY



NOTE: ALL CASES MUST BE GROUND

8&12FT CASES

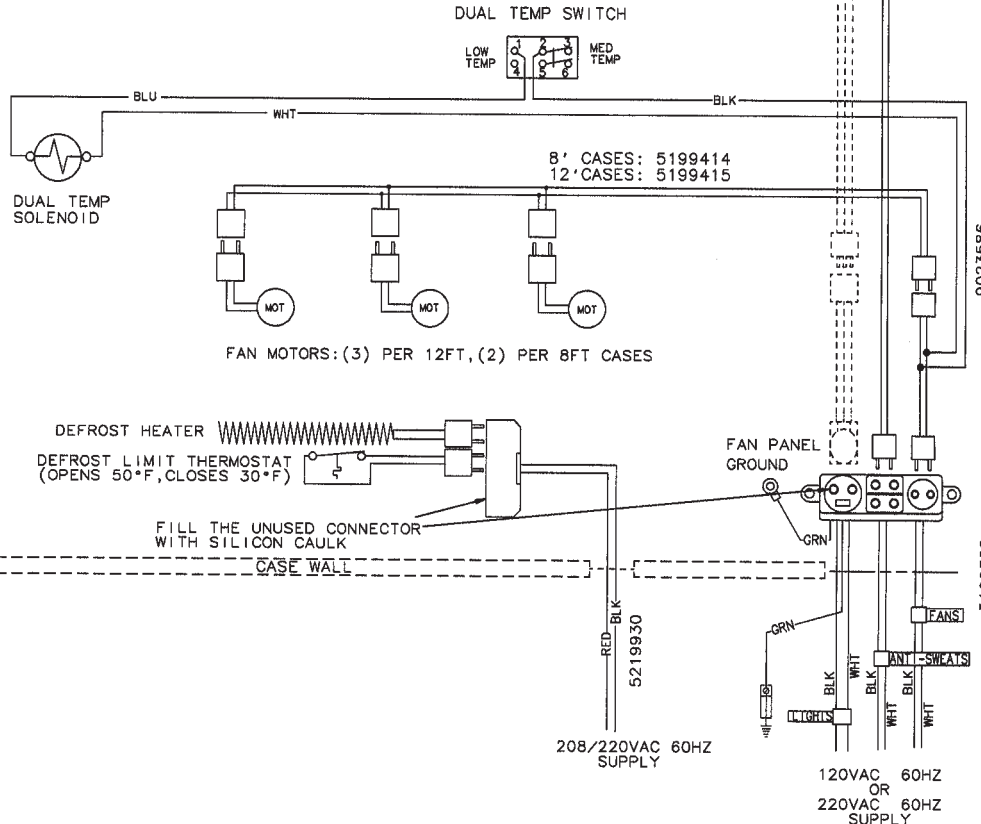
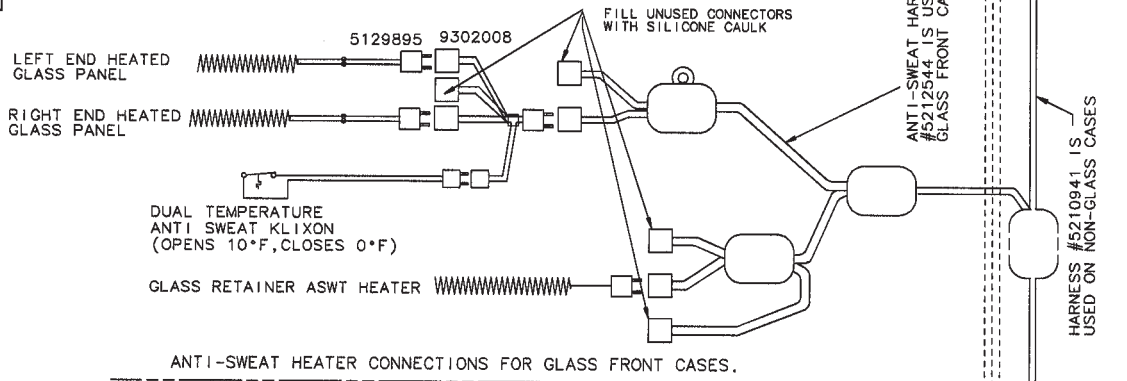
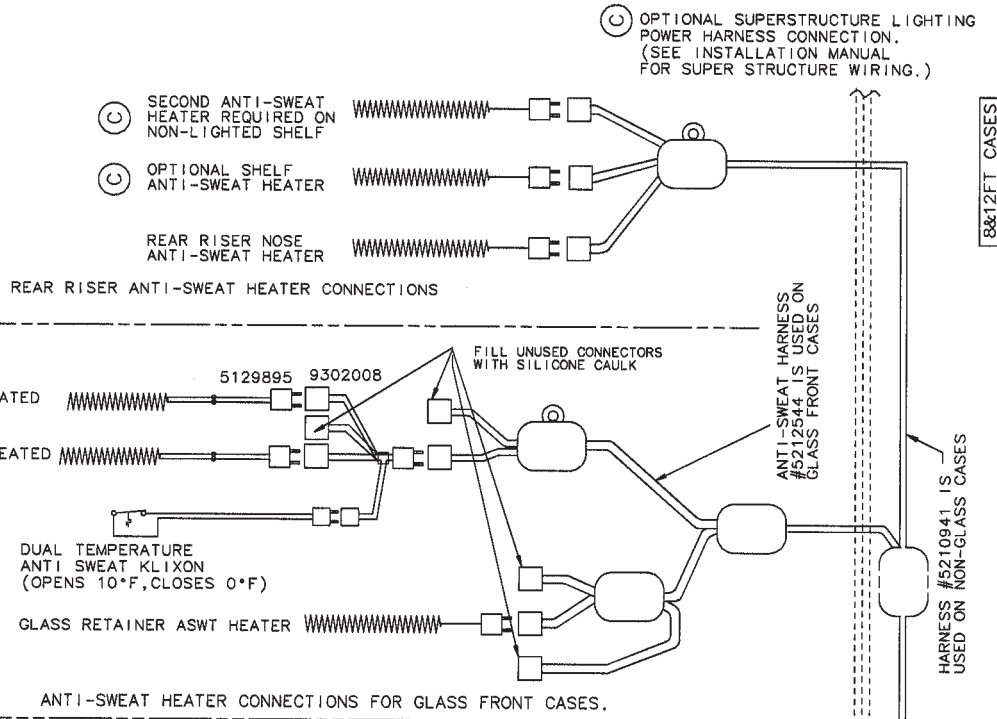
REV	DATE	BY	CHK	DESCRIPTION
E	090CT07/GXH			RAIL HEATER AND CHANGED THE BORDER
	50004			
	22JUL97			
	LC			
	CK			
	97-057			
	NONE			
	NONE			
PART NAME				
DIAGRAM WRG HG DFR NFN(G)X NCN(G)X				
PART NUMBER				
9028669				

ALSO APPLIES TO 8&12FT: NFB(G)X, NCBX

Dual Temperature Control Circuits



1. TYLER REFRIGERATION CLAIMS RIGHTS TO THE INFORMATION ON THIS DRAWING.
2. THIS DRAWING IS FOR REFRIGERATION ONLY AND MAY NOT BE USED WITHOUT PERMISSION.
3. SPECIFIC DIMENSIONS IN INCHES UNLESS OTHERWISE SPECIFIED.
4. ANY TREATMENT TO FINISHED PART AFTER MANUFACTURING IS AT CUSTOMER'S RISK.
5. NO MANUAL REVISIONS ALLOWED.



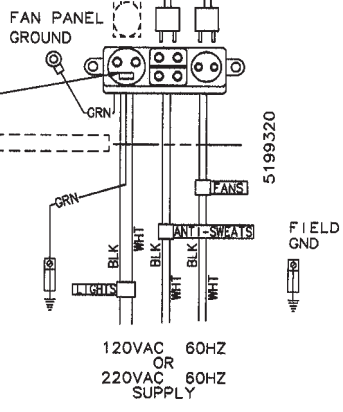
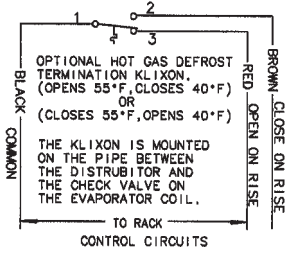
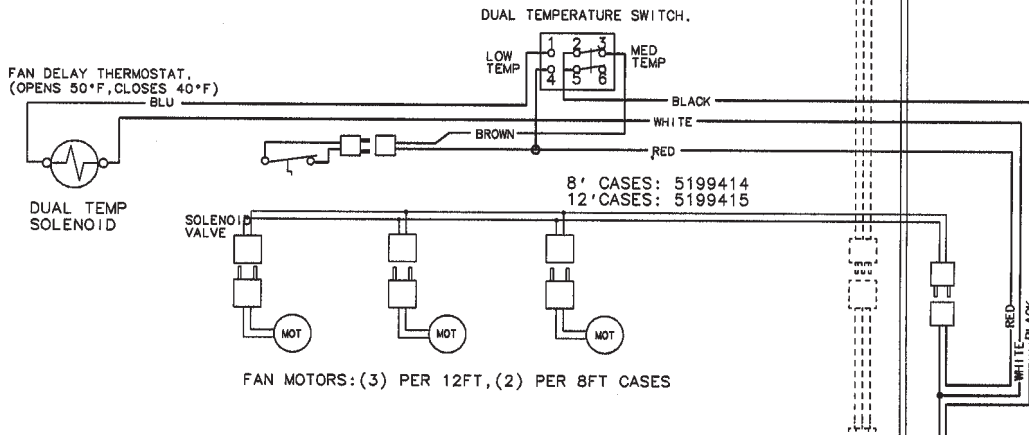
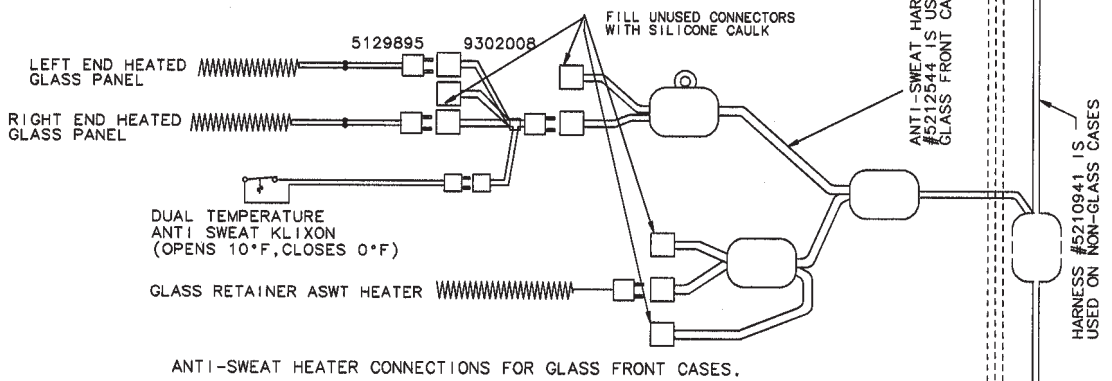
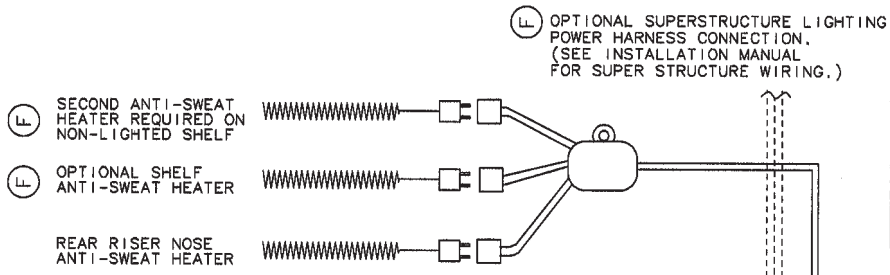
NOTE: ALL CASES MUST BE GROUNDED

REV	DATE	BY	CHK	REL	DATE	REF	DATE	NAME	REV
C					14 DEC 06			NONE	
	09 OCT 07	GXH							
	50004								

ALSO APPLIES TO 8&12FT: NFX, NFB, NFG, NFW, NCS, NCG, NCF, NCB, NCC, NCC, NCF, NCG, NCH, NCL, NCM, NCN, NCP, NCR, NCS, NCS, NCT, NCU, NCV, NCW, NCX, NCBX

DIAGRAM WRG ELEC DFR
DT NFN(G)X NFW(G)X
9039740 C

1. TYLER REFRIGERATION CLAIMS RIGHTS TO THE INFORMATION ON THIS DRAWING. ONLY TYLER REFRIGERATION SHALL BE USED WITHOUT PERMISSION. 2. AND MAY NOT BE USED IN ANY MANNER WITHOUT PERMISSION. 3. DIMENSIONS ARE IN INCHES UNLESS SPECIFIED OTHERWISE. 4. DIMENSIONS APPLY TO FINISHED PART AFTER POLISHING. 5. NO MANUAL REVISIONS ALLOWED.



NOTE: ALL CASES MUST BE GROUNDED

REV	ASB	9028671	F
DATE	96-104		
BY	CHK		
RELEASE	50004	170CT07GXH	
DESCRIPTION			
REMOVED THE ELEC DFR PORTION AND CHANGED THE BORDER			
DATE	15OCT96		
REF	NONE		
DATE			
REF	NONE		
NAME			
DIAGRAM WRG HC DFR DT NFN(G)X NFW(G)X			

ALSO APPLIES TO 8&12FT: NFX, NFS(G)X, NCS(G)X, NCF(G)X, NFB(G)X, NCBX

CLEANING AND SANITATION

Component Removal and Installation Instructions for Cleaning

Bottom Trays

1. Remove product from bottom of case.
2. Grasp and lift out each of the bottom trays from the case interior and carefully remove through the door openings
3. After cleaning, replace in reverse order.

NSF Product Thermometer

Remove four screws and product thermometer bracket assembly from right rear location in the case. After cleaning, replace product thermometer bracket assembly and secure with four screws.

Discharge Air Honeycomb

1. Remove screws and bottom retainer strip from front or rear interior of case.

NOTE

Note position of the honeycomb grid during removal so it can be reinstalled the same way.

2. Remove honeycomb grid sections from the front or rear duct.

CAUTION

Improper installation of the honeycomb grid section could result in improper air flow and/or poor refrigeration.

3. After cleaning, replace honeycomb grid sections as they were removed and secure with the bottom retainer strip and screws.

Rear Air Duct Panels

1. Remove bottom trays and discharge air honeycomb, see this page.
2. Remove mounting screws from rear duct panel.
3. After cleaning, replace in reverse order.

Front Air Duct Panels

1. Remove bottom trays, see this page.
2. Remove screws and front air duct panels from case.
3. After cleaning, replace in reverse order.

Corner Trim

1. See page 14 for corner trim removal instructions.
2. After cleaning trim and cladding components, replace front cladding and corner trim components in reverse order using instructions below and on page 14.

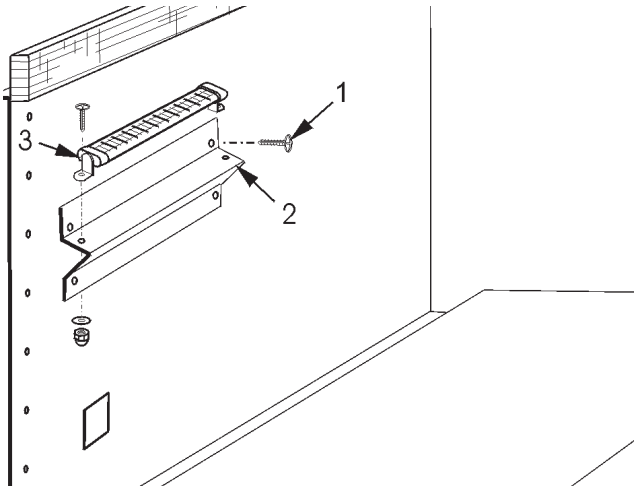
Front Cladding

1. Remove kickplates and raceway covers from front of case.
2. Remove screws from bottom and top of front cladding and pull cladding down to remove it from behind the bottom edge of the bumper retainer.
3. After cleaning, replace front rear cladding and remaining components in reverse order.

SERVICE INSTRUCTIONS

See “General-UL/NSF I&S Manual” for fan blade and motor replacement, color band and bumper replacement and raceway cover removal instructions.

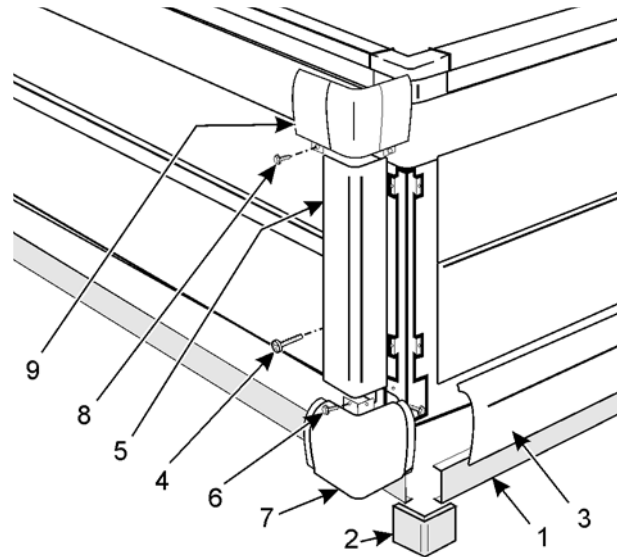
NSF Product Thermometer Replacement



1. Remove four screws (1) and thermometer bracket (2) from rear of case.
2. Remove two screws, nuts, washers and the product thermometer (3) from the thermometer bracket (2).
3. Install and secure a new product thermometer (3) on the thermometer bracket (2) with two screws, washers and nuts.
4. Install thermometer bracket (2) on rear of case with four screws (1).

Corner Trim Replacement (NFNX/NCNX/NFGX/NCNGX with Wrap Ends)

Since some of the corner trim fasteners are hidden, remove the trim and hardware in the following sequence.



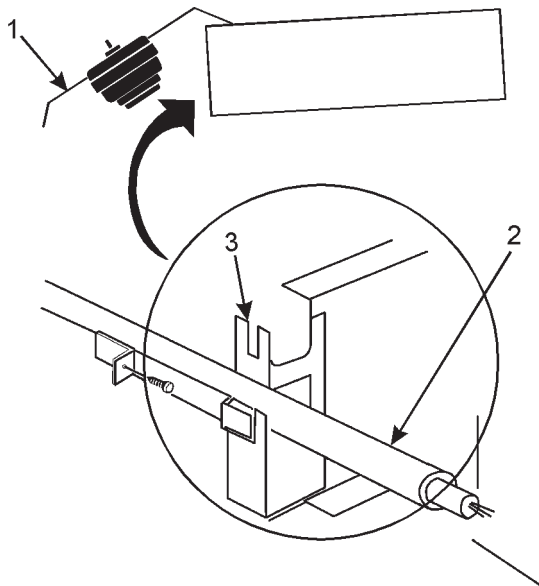
1. Remove mounting screws, kickplate corner trims (2) and kickplates (1) from the case.
2. Remove raceway covers (3) from both sides of the corner trim.
3. Remove four screws (4) and cladding corner trim (5).
4. Remove two top screws (6) from raceway corner trim (7), then lift and remove the raceway corner trim (7) from the retainers in the bottom slots.
5. Remove two bottom screws (8) and lift off the bumper corner trim (9).
6. Replace bumper corner trim, raceway corner trim, corner cladding trim, raceway covers, kickplates and kickplate corner trims in reverse order.

Defrost Heater Replacement

WARNING

Always shut off electricity to case before replacing a defrost heater. Automatic cycling of fans or electrical power to wire ends could cause personal injury and/or death.

Models NFNX/NCNX/NFNGX/NCNGX



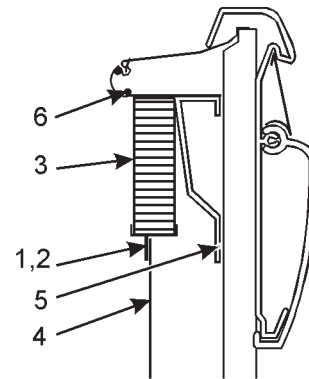
1. Remove bottom trays from case.
2. Unclip and lift up fan plenum (1).
3. Disconnect defective defrost heater (2) and remove from mounting clips (3) and case.
4. Install new defrost heater (4) in reverse order.
5. Restore electrical power to case.

Anti-Sweat Replacement

WARNING

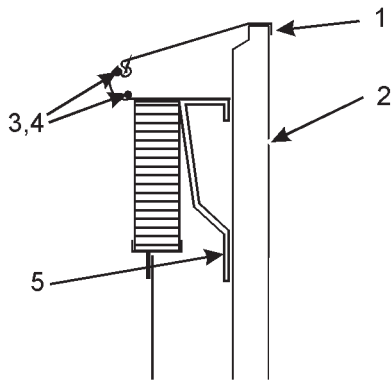
Shut off or disconnect power supply to case before changing an anti-sweat. Electrical power from wire ends could damage other components and/or cause personal injury or death.

Discharge Air Grid Anti-Sweat
(NFNX/NCNX)



1. Remove screws (1) retainer strip (2) and discharge air grid (3) from interior of the front case wall (4).
2. Remove mounting screws and support assembly (5) from air grid opening.
3. Disconnect or cut the defective anti-sweat wire (6) from the case wires.
4. Remove and replace the aluminum tape and defective anti-sweat wire (6) from top of support assembly (5).
5. Reconnect the anti-sweat wires and replace the support assembly, discharge air grid and mounting hardware.

**Discharge Air Grid Anti-Sweat
(NFNGX/NCNGX)**

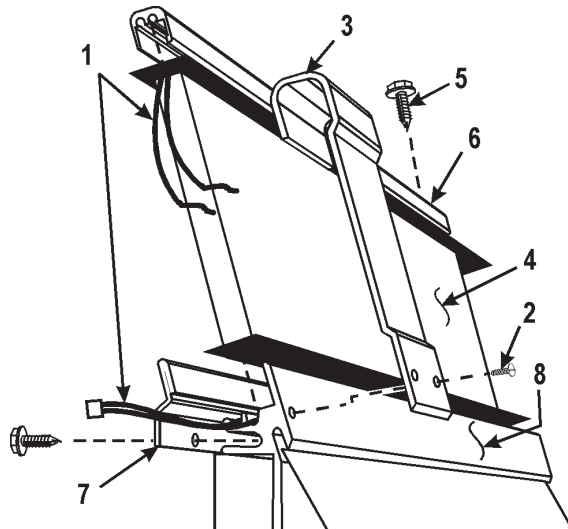


1. Remove screws and rear guard trim (1) from top of rear case wall (2).
2. Disconnect or cut the defective anti-sweat wire (3) from the case wires.
3. Remove and replace the aluminum tape (4) and defective anti-sweat wire (3) from top of rail and wire trim assembly (5).
4. Reconnect anti-sweat wires to case wires and reinstall rear guard trim with screws.

**Front Glass Retainer Anti-Sweat
(NFNGX/NCNGX)**

See “Front Glass Replacement” on this page for glass removal and glass retainer anti-sweat replacement instructions.

**Front Glass Replacement
(NFNGX/NCNGX)**



1. Unplug or disconnect heated glass panels and glass retainer anti-sweat wires (1)
2. Remove two screws (2) and glass joint trim (3) from both joints of the broken glass (4).
3. Remove screws (5) and glass trim rail (6) from top of glass (4).
4. Loosen rear retainer (7) and remove broken glass (4) from glass retainer assembly (8).

NOTE

Inspect the anti-sweat wire in glass retainer assembly. If wire is damaged or broken, replace it before replacing the front glass.

5. Apply sealant tape to top and bottom edge of new glass (4).
6. Position new glass (4) in glass retainer assembly (8) and secure by tightening rear retainer (7).
7. Install glass trim rail (7) with screws (6) over top edge of new glass (4).
8. Install glass joint trim (3) with two screws (2) over the joint areas of glass (4).
9. Reconnect heated glass panels and glass retainer anti-sweat wires (1).

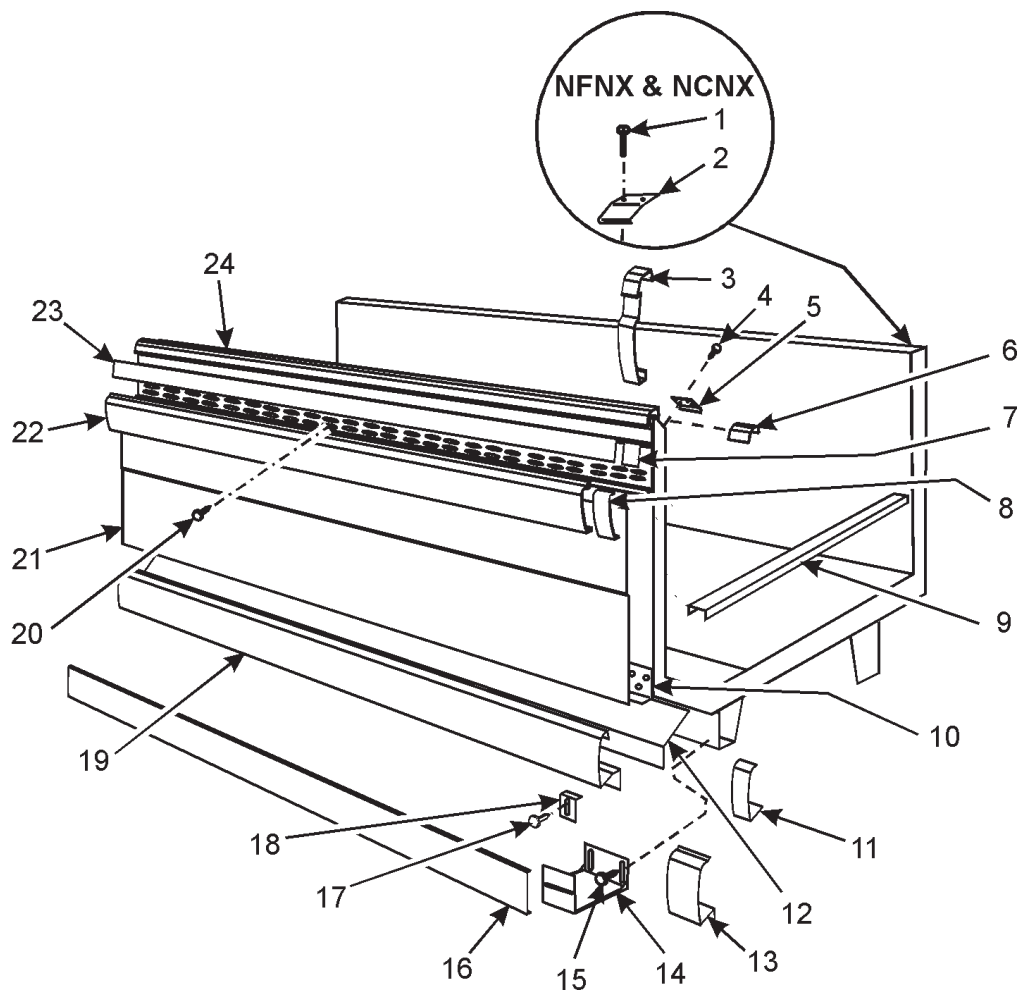
PARTS INFORMATION**Operational Parts List****(Models NFNX/NCNX/NFNGX/NCNGX)**

Case Usage	Domestic		Export	
	115 Volt 60 Hertz		220 Volt 50 Hertz	
Case Size	8'	12'	8'	12'
Fan Motor	5125532 5 Watt	5125532 5 Watt	5126572 5 Watt	5126572 5 Watt
Fan Motor Brackets	5213132	5213132	5213132	5213132
Fan Bracket Plate	9041077	9041077	9041077	9041077
Fan Blades (6" 21° 3B)	5105621	5105621	----	----
(6" 27° 3B)	----	----	5104294	5104294
Opt. ECM Fan Motor	9025002 8 Watt	9025002 8 Watt	----	----
Opt. ECM Fan Motor Brackets	5205279	5205279	----	----
Opt. ECM Fan Blades (6" 25-1/4° 3B)	9025138	9025138	----	----
Anti-Sweat Heater Wire (Discharge Air) (NFN(G)X/NCN(G)X)	5124818	5124819	5081149	5081150
(glass retainer) (NFNGX/NCNGX)	5218331	5218332	5081149	5081150
Electric Def. Heater	5960934	5960935	5088278	5088279
Electric Def. Term. Klixon	5125211	5125211	5125211	5125211
Opt. Gas Def. Fan Delay Klixon	9023503	9023503	9023503	9023503
Opt. Gas Def. Term. Klixon	9023508	9023508	9023508	9023508
NSF Product Thermometer	5967100	5967100	5967100	5967100

For information on operational parts not listed above contact the TYLER Service Parts Department.

Cladding and Optional Trim Parts List

Item	Description	NFNX, NCNX	
		8'	12'
1	Screw (NFNX/NCNX)	5205439 (4)	5205439 (4)
2	Top Rr. Riser Joint Trim (NFNX/NCNX)	5207489	5207489
3	Bumper End Trim (per patch end)	---- color per order ----	---- color per order ----
4	Screw (per trim)	5205439 (4)	5205439 (4)
5	Return Air Duct Joint Trim (per duct)	5207491	5207491
6	Hand Rail Backer, Ptd.	9025316	9025316
7	Color Band Backer, Ptd.	9040223	9040223
8	Bumper Backer (per bumper)	---- color per order ----	---- color per order ----
9	Horizontal Joint Trim	5127503	5127503
10	Cladding Retainer (per case)	9300197 (8)	9300197 (8)
11	Raceway Cover Backer (per cover)	---- color per order ----	---- color per order ----
12	Raceway (per front of case)	9300218	9300219
13	Raceway Cover End Trim (per patch end)	---- color per order ----	---- color per order ----
14	Kickplate Support Assy. - Front	9043402 (3)	9043402 (4)
	Kickplate Support Assy. - Rear (NFNX/NCNX)	9323073 (3)	9323073 (4)
15	Shoulder Screw (per kickplate support)	9025833 (2)	9025833 (2)
16	Metal Kickplate, Ptd. (per side)	9324399	9324406
	Kickplate Joint Trim, Ptd. (per side)	9324550	9324550
	Screw, Blk. (per side)	9324612 (5)	9324612 (6)
17	Screw	5183536 (8)	5183536 (12)
18	Raceway Cover Retainer	9023841 (4)	9023841 (6)
19	Raceway Cover (per side)	---- color per order ----	---- color per order ----
20	Screw	5183536 (36)	5183536 (52)
21	Front Cladding, Ptd. (per side)	9025637	9025638
22	Bumper (per side)	---- color per order ----	---- color per order ----
23	Color Band, Ptd. (per side)	9023798	9023800
24	Bumper Retainer/Hand Rail (per side)	---- color per order ----	---- color per order ----



Item Description	NFGX, NCNGX	
	8'	12'
1 Glass Joint Trim (per side)	9301808	9301808
2 Screw (per trim)	5048626 (2)	5048626 (2)
3 Color Band Backer, Ptd. (per side)	9025982	9025982
4 Color Band, Ptd. (NFGX/NCNGX)	9023798	9020982
5 Bumper End Trim (per patch end)	---- color per order ----	----
6 Bumper Backer (per bumper)	---- color per order ----	----
7 Bumper (per side)	---- color per order ----	----
8 Front Cladding, Ptd. (per side)(NFGX/NCNGX)	9025637	9025638
9 Raceway Cover Backer (per cover)	---- color per order ----	----
10 Raceway Cover End Trim (per patch end)	---- color per order ----	----
11 Raceway Cover (per side)	---- color per order ----	----
12 Screw	5183536 (8)	5183536 (12)
13 Raceway Cover Retainer	9023841 (4)	9023841 (6)
14 Raceway Support - Front	9041321 (6)	9041321 (8)
Raceway Cover Support - Rear	9041325 (6)	9041325 (8)
15 Metal Kickplate, Ptd. (per side)	9324399	9324406
Kickplate Joint Trim, Ptd. (per side)	9324550	9324550
Screw, Blk. (per side)	9324612 (5)	9324612 (6)
16 Shoulder Screw	9025833 (6)	9025833 (8)
17 Kickplate Support Assembly - Front	9043402 (3)	9043402 (4)
Kickplate Support Assembly - Rear (NFGX/NCNGX)	9323073 (3)	9323073 (4)
18 Raceway (per front of case)	9300218	9300219
19 Front Cladding Retainer (per case)	9300197 (8)	9300197 (8)
20 Screw	5183536 (7)	5183636 (9)
21 Shoulder Screw	9025833 (36)	9025833 (52)
22 Bumper Retainer (per side)	9025058	9025061
23 Horizontal Joint Trim	5127503	5127503
24 Top Rear Joint Trim (NFGX/NCNGX)	5207489	5207489
25 Screw (NFGX/NCNGX)	5183536 (4)	5183536 (4)

