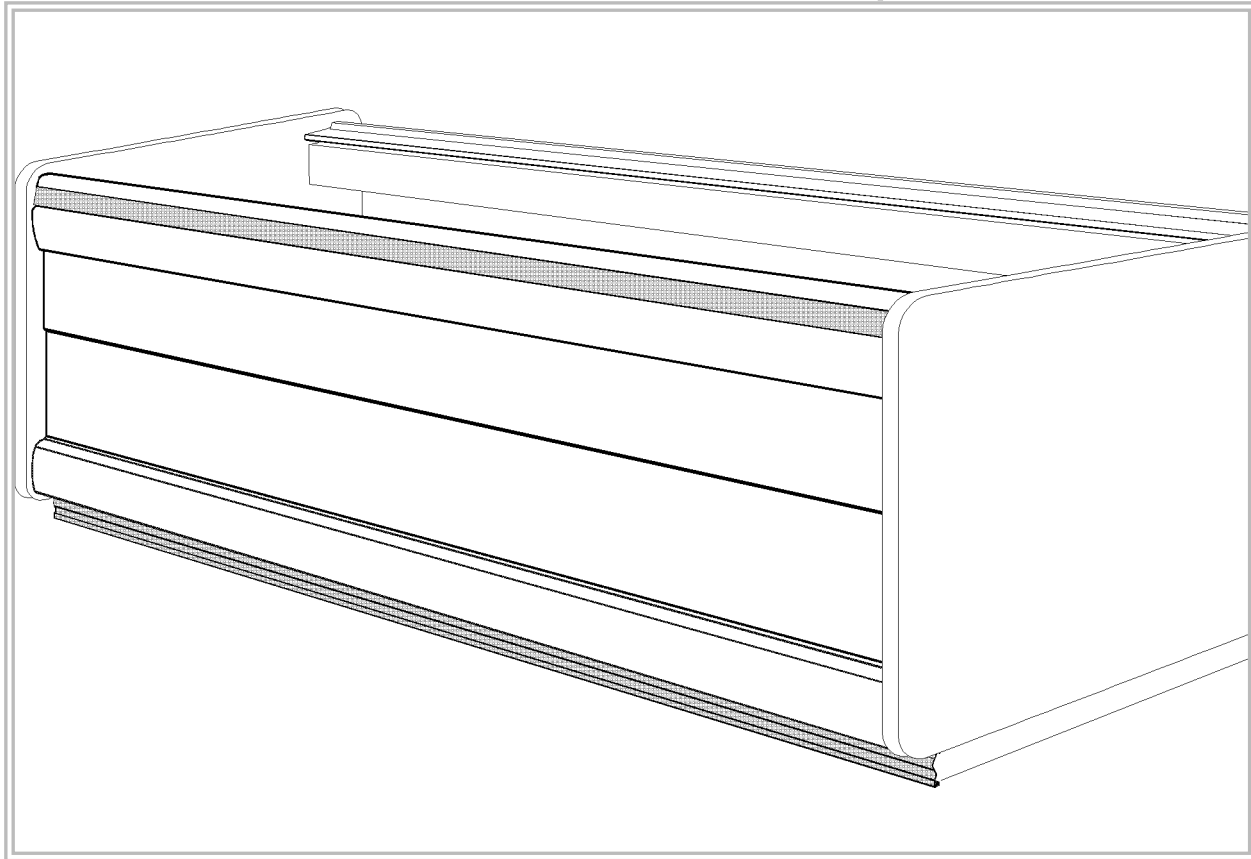


Replacement Parts ^{series} Advantage



Single Deck Open Well Merchandiser

Production began January 8, 2001

9000620	NF8	Low-Temp	8' Open Well FF Merchandiser
9000621	NF12	Low-Temp	12' Open Well FF Merchandiser
9000622	NFS8	Low-Temp	8' Open Well FF Merchandiser
9000623	NFS12	Low-Temp	12' Open Well FF Merchandiser
9000624	NCS8	Low-Temp	8' Open Well IC Merchandiser
9000625	NCS12	Low-Temp	12' Open Well IC Merchandiser
9000626	NFSG8	Low-Temp	8' Open Well FF w/RR Riser & Glass Front
9000627	NFSG12	Low-Temp	12' Open Well FF w/RR Riser & Glass Front
9000628	NCSG8	Low-Temp	8' Open Well IC w/RR Riser & Glass Front
9000629	NCSG8	Low-Temp	12' Open Well FF w/RR Riser & Glass Front

NF • NFS • NCS
NFSG • NCSG



Issue date: MAY 2001
Replaces issue:
Part number: 9037200
Revision:

Tyler Refrigeration Corporation Niles, MI 49120
Parts information subject to change without notice
Printed in U.S.A.

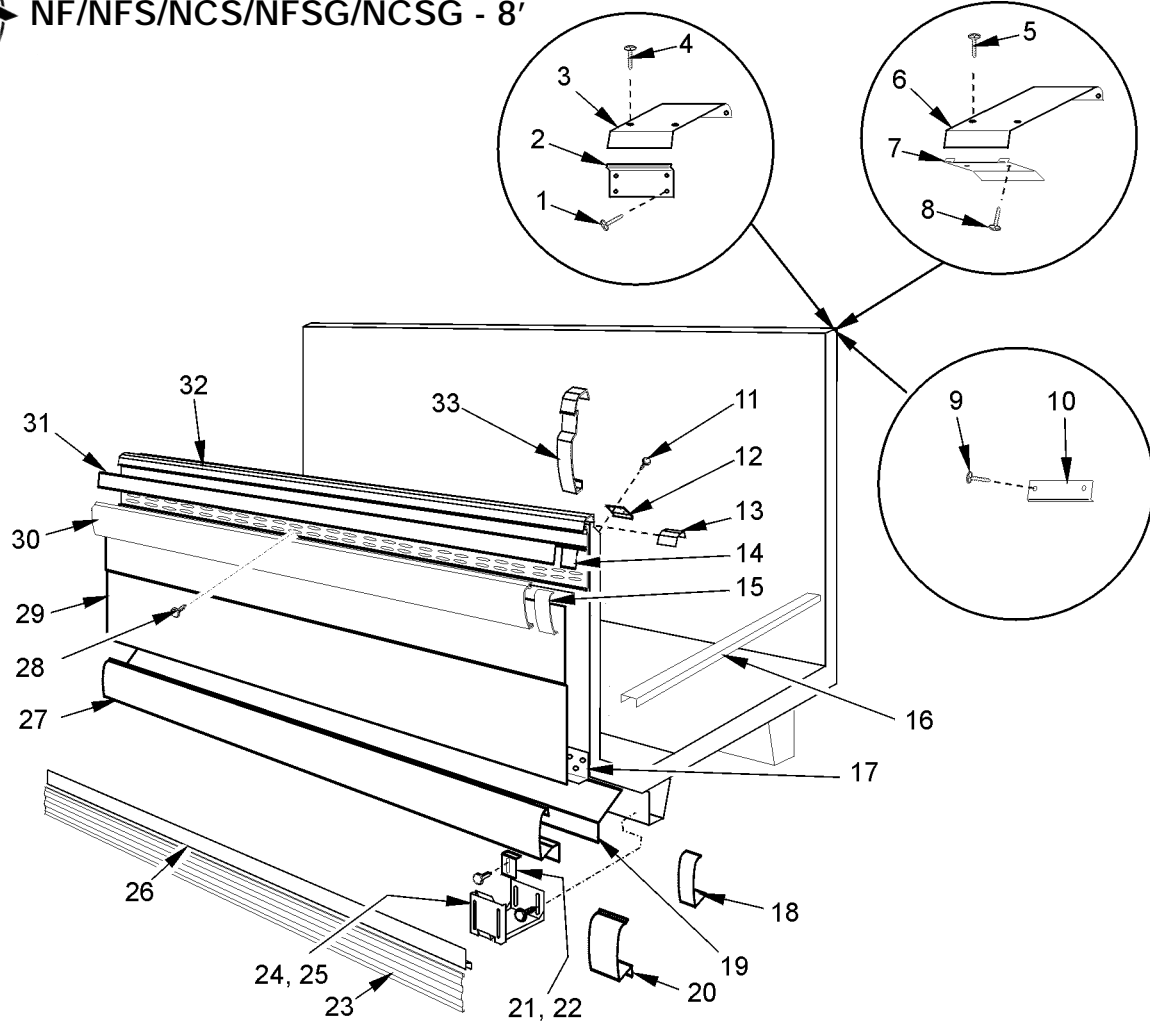


CONTENTS

	<u>Page</u>
Cladding, Covers and Trims	C1-C6
Structural Components	
Ducts and Panels	S1
Rear Shelf	S2
Front Glass - NFSG/NCSG	S3
Patch Ends, Partitions and Plexiglas Dividers	
Solid Patch Ends	S4, S5
1" Solid Partition	S6
Inside Plexiglas Divider	S7
Electrical System Components	
Wiring Harnesses	
Wiring and Components	E1
Fan Systems	E2
Optional Top Shelf Light Assembly	E3
Optional Superstructure Components	
DNS Superstructure Upright Assembly	E4
DNS Superstructure Canopy Assembly	E5
DSAL Superstructure Assembly	E6
DNS/DSAL Superstructure Shelving	E7
Refrigeration System Components	
Coil Assemblies	R1
Electric Defrost	R2
Optional Hot Gas Defrost	R3
Optional Case Accessories	
Shelf Screens, Shelf Dividers and Nite Cover	A1
Thermometers-Optional and Standard	A2



CLADDING, COVERS AND TRIMS NF/NFS/NCS/NFSG/NCSG - 8'



8' Merchandiser

Item	Part No.	Qty.	Description	Item	Part No.	Qty.	Description
1	5205439	4	Screw (NF)	19	9300218	1	Raceway
2	5182434	1	Lwr. RR Riser Joint Trim (NF)		5183536	18	Screw
3	5629361	1	Top RR Riser Joint Trim (NF)		9300210	6	Kickplate Hanger
4	5058099	4	Screw (NF)		5183536	12	Screw
5	5058099	4	Screw (NFS(G)/NCS(G))	20	+	1	Raceway Cover End Trim
6	5629360	1	Top Shelf Joint Trim (NFS(G)/NCS(G))	21	9023841	4	Raceway Cover Retainer
7	5182435	1	Lwr. Top Shelf Joint Trim w/o Light (NFS(G)/NCS(G))	22	5183536	8	Screw
8	5205439	4	Screw (NFS(G)/NCS(G))	23	+	1	Kickplate
9	5205439	2	Screw (NFS(G)/NCS(G))		9041790	1	Kickplate Backer
10	5128761	1	Lwr. Top Shelf Joint Trim w/ Light (NFS(G)/NCS(G))	24	9025833	6	Shoulder Screw
11	5145037	4	Screw	25	9042341	3	Kickplate Support Assy.
12	5203017	1	Return Air Duct Joint Trim	26	+	1	Kickplate Extension [OPTL]
13	9025316	1	Bumper Retainer Backer	27	+	1	Raceway Cover
14	9040223	1	CLR Band Backer, Ptd. (NF/NFS/NCS)	28	9025833	18	Shoulder Screw
	9025982	1	CLR Band Backer, Ptd. (NFSG/NCSG)	29	9025637	1	FRT Cladding, Ptd. (NF/NFS/NCS)
15	+	1	Bumper Backer		9301351	1	FRT Cladding, Ptd. (NFSG/NCSG)
16	5127503	1	Horizontal Joint Trim	30	+	1	Bumper
17	9300197	4	Cladding Retainer	31	9023798	1	Color Band, Ptd.(NFS/NFS/NCS)
	5183536	8	Screw		9023833	1	Color Band, MB/SS (NFS/NFS/NCS)
18	+	1	Raceway Cover Backer		9020971	1	Color Band, Ptd.(NFSG/NCSG)
				32	+	1	Bumper Retainer (NF/NFS/NCS)
					9025058	1	Bumper Retainer (NFSG/NCSG)
				33	+	1	Bumper End Trim

+ See pages C3 and C4 for parts breakdown per color.



CLADDING, COVERS AND TRIMS - (CONT'D)

NF/NFS/NCS/NFSG/NCSG - 8'

Bumper Retainer [Item 32]
Without Partition
(96.062"):

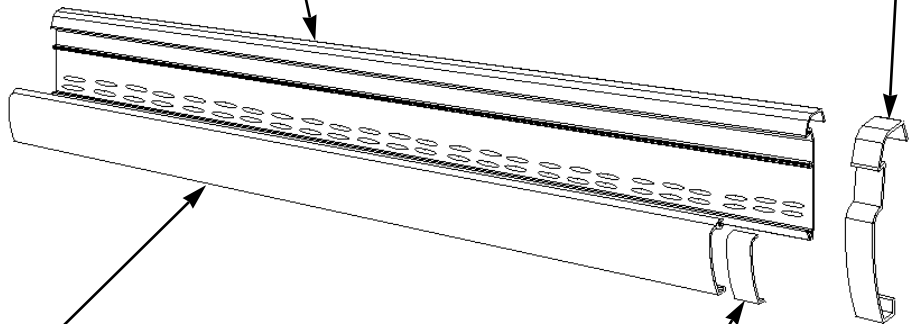
Part Number	Color
9025491	White
9025504	Bone White
9025517	Misty Gray
9025530	Pearl
9025543	Oatmeal
9025557	Soft Sand
9025570	Chromium
9025583	Cool Gray
9025596	Oyster
9025609	Black
9028935	Steel Gray
9031792	Chocolate
9031819	Mocha
9031873	Stone

With Partition
(97.062"):

Part Number
9026949
9026950
9026951
9026952
9026953
9026954
9026955
9026956
9026957
9026958
9028937
9031794
9031821
9031875

Bumper End Trim [Item 33]

Part Number	Color
9027220	White
9027221	Bone White
9027222	Misty Gray
9027223	Pearl
9027224	Oatmeal
9027225	Soft Sand
9027226	Chromium
9027227	Cool Gray
9027228	Oyster
9027229	Black
9028882	Steel Gray
9034333	Chocolate
9034334	Mocha
9034335	Stone
9023195	RH Bmpr Pusher Brkt
9028082	LH Bmpr Pusher Brkt
5053985	Screw (2 per brkt)



Bumper [Item 30]
Without Partition
(96.062"):

Part Number	Color
9025036	White
9025266	Bone White
9025287	Misty Gray
9025308	Pearl
9025329	Oatmeal
9025350	Soft Sand
9025371	Chromium
9025392	Cool Gray
9025413	Oyster
9025434	Black
9028905	Steel Gray
9031687	Chocolate
9031724	Mocha
9031761	Stone

With Partition
(97.062"):

Part Number
9027179
9027180
9027181
9027182
9027183
9027184
9027185
9027186
9027187
9027188
9028907
9031689
9031726
9031763

Bumper Backer [Item 15]

Part Number	Color
9025023	White
9025028	Bone White
9025035	Misty Gray
9025038	Pearl
9025041	Oatmeal
9025253	Soft Sand
9025258	Chromium
9025265	Cool Gray
9025268	Oyster
9025271	Black
9028883	Steel Gray
9031884	Chocolate
9031885	Mocha
9031886	Stone



CLADDING, COVERS AND TRIMS - (CONT'D)

NF/NFS/NCS/NFSG/NCSG - 8'

Raceway Cover [Item 27]
Without Partition (96.062"):

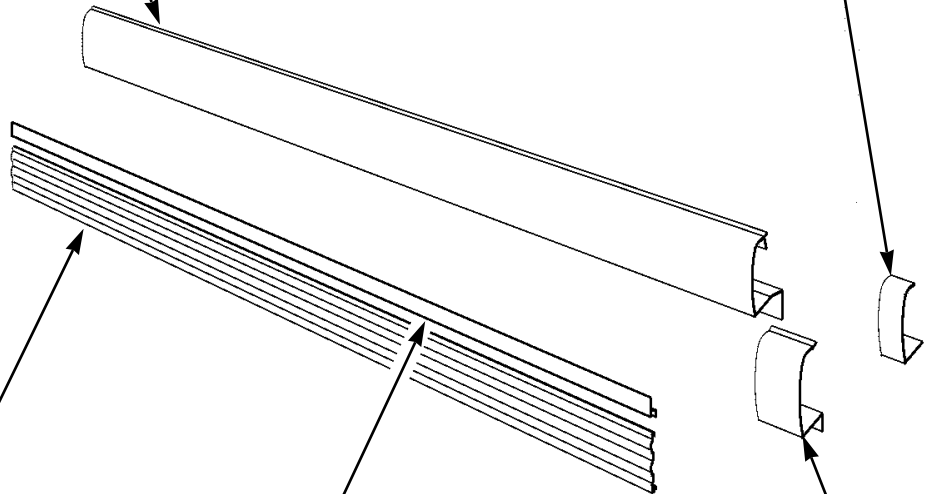
Part Number	Color
9025666	White
9025675	Bone White
9025686	Misty Gray
9025697	Pearl
9025708	Oatmeal
9025719	Soft Sand
9025730	Chromium
9025741	Cool Gray
9025752	Oyster
9025763	Black
9310660	Steel Gray
9031571	Chocolate
9031598	Mocha
9031652	Stone

With Partition (97.062"):

Part Number	Color
9027077	White
9027078	Bone White
9027079	Misty Gray
9027080	Pearl
9027081	Oatmeal
9027082	Soft Sand
9027083	Chromium
9027084	Cool Gray
9027085	Oyster
9027086	Black
9310661	Steel Gray
9031572	Chocolate
9031599	Mocha
9031653	Stone

Raceway Cover Backer [Item 18]

Part Number	Color
9025795	White
9025796	Bone White
9025797	Misty Gray
9025798	Pearl
9025799	Oatmeal
9025800	Soft Sand
9025801	Chromium
9025802	Cool Gray
9025803	Oyster
9025804	Black
9310683	Steel Gray
9031907	Chocolate
9031908	Mocha
9031909	Stone



Kickplate [Item 23]

Without Partition (96.062"):

Part Number	Color
9041690	Cool Gray
9041691	Black
9041692	Pearl
9041694	Steel Gray

With Partition (97.062"):

Part Number
9041700
9041701
9041702
9041704

Raceway Cover End Trim [Item 20]

Part Number	Color
9027231	White
9027232	Bone White
9027233	Misty Gray
9027234	Pearl
9027235	Oatmeal
9027236	Soft Sand
9027237	Chromium
9027238	Cool Gray
9027239	Oyster
9027240	Black
9310681	Steel Gray
9034336	Chocolate
9034337	Mocha
9034338	Stone

Optional Kickplate Extension [Item 26]

Without Partition (96.062"):

Part Number	Color
9042868	Cool Gray
9042869	Black
9042870	Pearl
9042871	Steel Gray

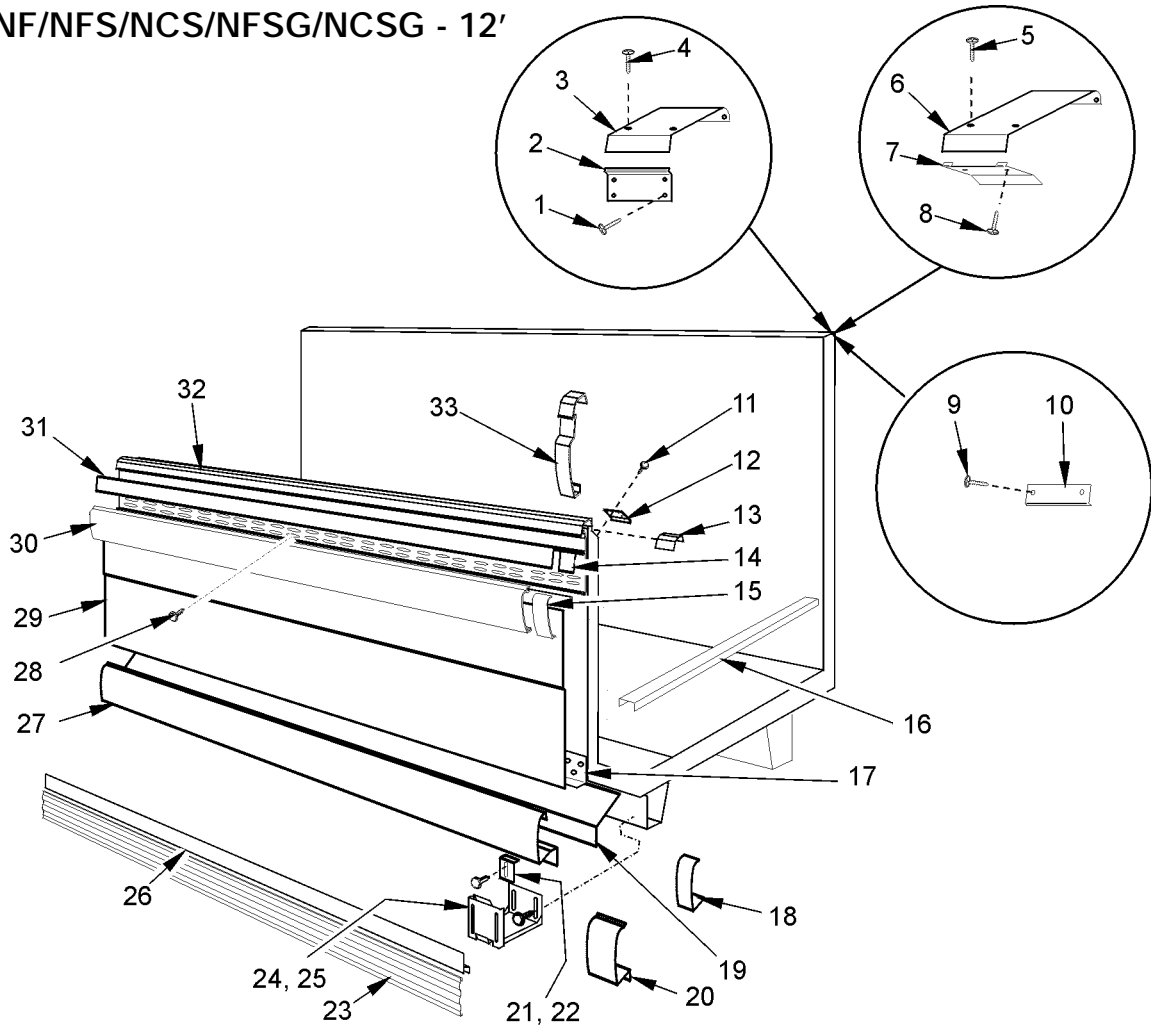
With Partition (97.062"):

Part Number
9042876
9042877
9042878
9042879



CLADDING, COVERS AND TRIMS - (CONT'D)

NF/NFS/NCS/NFSG/NCSG - 12'



12' Merchandiser

Item	Part No.	Qty.	Description	Item	Part No.	Qty.	Description	
1	5205439	4	Screw (NF)	20	9300210	6	Kickplate Hanger	
2	5182434	1	Lwr. RR Riser Joint Trim (NF)	21	5183536	16	Screw	
3	5629361	1	Top RR Riser Joint Trim (NF)	22	+	1	Raceway Cover End Trim	
4	5058099	4	Screw (NF)	23	9023841	6	Raceway Cover Retainer	
5	5058099	4	Screw (NFS(G)/NCS(G))	24	5183536	12	Screw	
6	5629360	1	Top Shelf Joint Trim (NFS(G)/NCS(G))	25	+	1	Kickplate	
7	5182435	1	Lwr. Top Shelf Joint Trim w/o Light (NFS(G)/NCS(G))	26	9041790	1	Kickplate Backer	
8	5205439	4	Screw (NFS(G)/NCS(G))	27	9025833	8	Shoulder Screw	
9	5205439	2	Screw (NFS(G)/NCS(G))	28	9042341	4	Kickplate Support Assy.	
10	5128761	1	Lwr. Top Shelf Joint Trim w/ Light (NFS(G)/NCS(G))	29	+	1	Kickplate Extension [OPTL]	
11	5145037	4	Screw	30	9025833	26	Raceway Cover	
12	5203017	1	Return Air Duct Joint Trim	31	9025638	1	Shoulder Screw	
13	9025316	1	Bumper Retainer Backer	32	9301352	1	FRT Cladding, Ptd. (NF/NFS/NCS)	
14	9040223	1	CLR Band Backer, Ptd. (NF/NFS/NCS)	33	9023800	1	FRT Cladding, Ptd. (NFSG/NCSG)	
15	9025982	1	CLR Band Backer, Ptd. (NFSG/NCSG)		30	+	Bumper	
16	+	1	Bumper Backer		31	9023800	1	Color Band, Ptd.
17	5127503	1	Horizontal Joint Trim		9023835	1	Color Band, MB/SS	
18	9300197	4	Cladding Retainer		9020972	1	Color Band, Ptd. (NFSG/NCSG)	
19	5183536	8	Screw		32	+	Bumper Retainer	
20	+	1	Raceway Cover Backer		33	+	Bumper End Trim	
21	9300219	1	Raceway					
22	5183536	18	Screw					

+ See pages C7 and C8 for parts breakdown per color.



CLADDING, COVERS AND TRIMS - (CONT'D)

NF/NFS/NCS/NFSG/NCSG - 12'

Bumper Retainer [Item 32]

Without Partition
(144.062"):

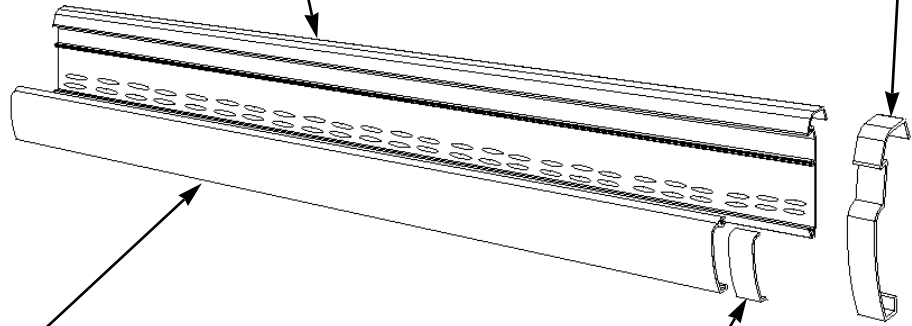
Part Number	Color
9025493	White
9025506	Bone White
9025519	Misty Gray
9025532	Pearl
9025545	Oatmeal
9025559	Soft Sand
9025572	Chromium
9025585	Cool Gray
9025598	Oyster
9025611	Black
9028935	Steel Gray
9031797	Chocolate
9031824	Mocha
9031878	Stone

With Partition
(145.062"):

Part Number
9026969
9026970
9026971
9026972
9026973
9026974
9026975
9026976
9026977
9026978
9028942
9031799
9031826
9031880

Bumper End Trim [Item 33]

Part Number	Color
9027220	White
9027221	Bone White
9027222	Misty Gray
9027223	Pearl
9027224	Oatmeal
9027225	Soft Sand
9027226	Chromium
9027227	Cool Gray
9027228	Oyster
9027229	Black
9028882	Steel Gray
9034333	Chocolate
9034334	Mocha
9034335	Stone
9023195	RH Bmpr Pusher Brkt
9028082	LH Bmpr Pusher Brkt
5053985	Screw (2 per brkt)



Bumper [Item 30]

Without Partition
(144.062"):

Part Number	Color
9025039	White
9025269	Bone White
9025290	Misty Gray
9025311	Pearl
9025332	Oatmeal
9025353	Soft Sand
9025374	Chromium
9025395	Cool Gray
9025416	Oyster
9025437	Black
9028912	Steel Gray
9031695	Chocolate
9031732	Mocha
9031769	Stone

With Partition
(145.062"):

Part Number
9027199
9027200
9027201
9027202
9027203
9027204
9027205
9027206
9027207
9027208
9028914
9031697
9031734
9031771

Bumper Backer [Item 15]

Part Number	Color
9025023	White
9025028	Bone White
9025035	Misty Gray
9025038	Pearl
9025041	Oatmeal
9025253	Soft Sand
9025258	Chromium
9025265	Cool Gray
9025268	Oyster
9025271	Black
9028883	Steel Gray
9031884	Chocolate
9031885	Mocha
9031886	Stone



CLADDING, COVERS AND TRIMS - (CONT'D)

NF/NFS/NCS/NFSG/NCSG - 12'

Raceway Cover [Item 27] Without Partition (144.062"):

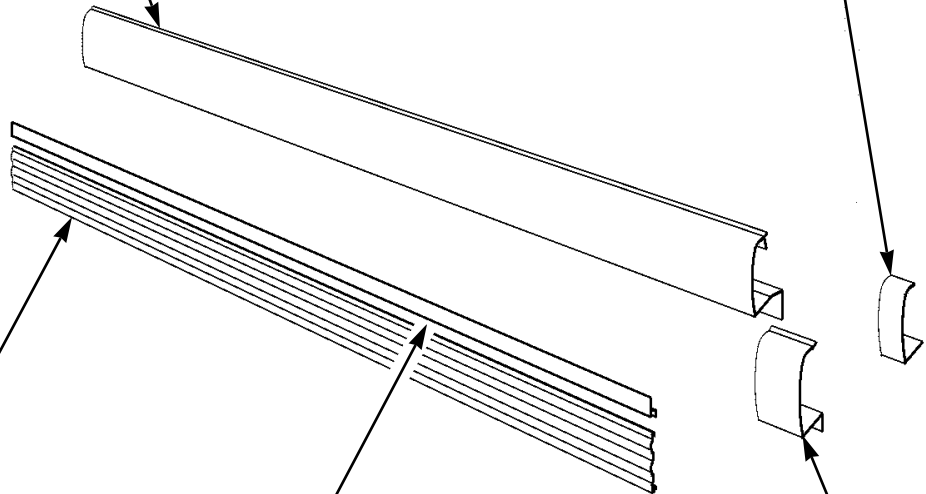
Part Number	Color
9025668	White
9025677	Bone White
9025688	Misty Gray
9025699	Pearl
9025710	Oatmeal
9025721	Soft Sand
9025732	Chromium
9025743	Cool Gray
9025754	Oyster
9025765	Black
9310666	Steel Gray
9031577	Chocolate
9031604	Mocha
9031658	Stone

With Partition (145.062"):

Part Number	Color
9027098	White
9027099	Bone White
9027100	Misty Gray
9027101	Pearl
9027102	Oatmeal
9027103	Soft Sand
9027104	Chromium
9027105	Cool Gray
9027106	Oyster
9027107	Black
9310667	Steel Gray
9031578	Chocolate
9031605	Mocha
9031659	Stone

Raceway Cover Backer [Item 18]

Part Number	Color
9025795	White
9025796	Bone White
9025797	Misty Gray
9025798	Pearl
9025799	Oatmeal
9025800	Soft Sand
9025801	Chromium
9025802	Cool Gray
9025803	Oyster
9025804	Black
9310683	Steel Gray
9031907	Chocolate
9031908	Mocha
9031909	Stone



Kickplate [Item 23]

Without Partition (144.062"):

Part Number	Color
9041730	Cool Gray
9041731	Black
9041732	Pearl
9041734	Steel Gray

With Partition (145.062"):

Part Number
9041740
9041741
9041742
9041744

Raceway Cover End Trim [Item 20]

Part Number	Color
9027231	White
9027232	Bone White
9027233	Misty Gray
9027234	Pearl
9027235	Oatmeal
9027236	Soft Sand
9027237	Chromium
9027238	Cool Gray
9027239	Oyster
9027240	Black
9310681	Steel Gray
9034336	Chocolate
9034337	Mocha
9034338	Stone

Optional Kickplate Extension [Item 26]

Without Partition (144.062"):

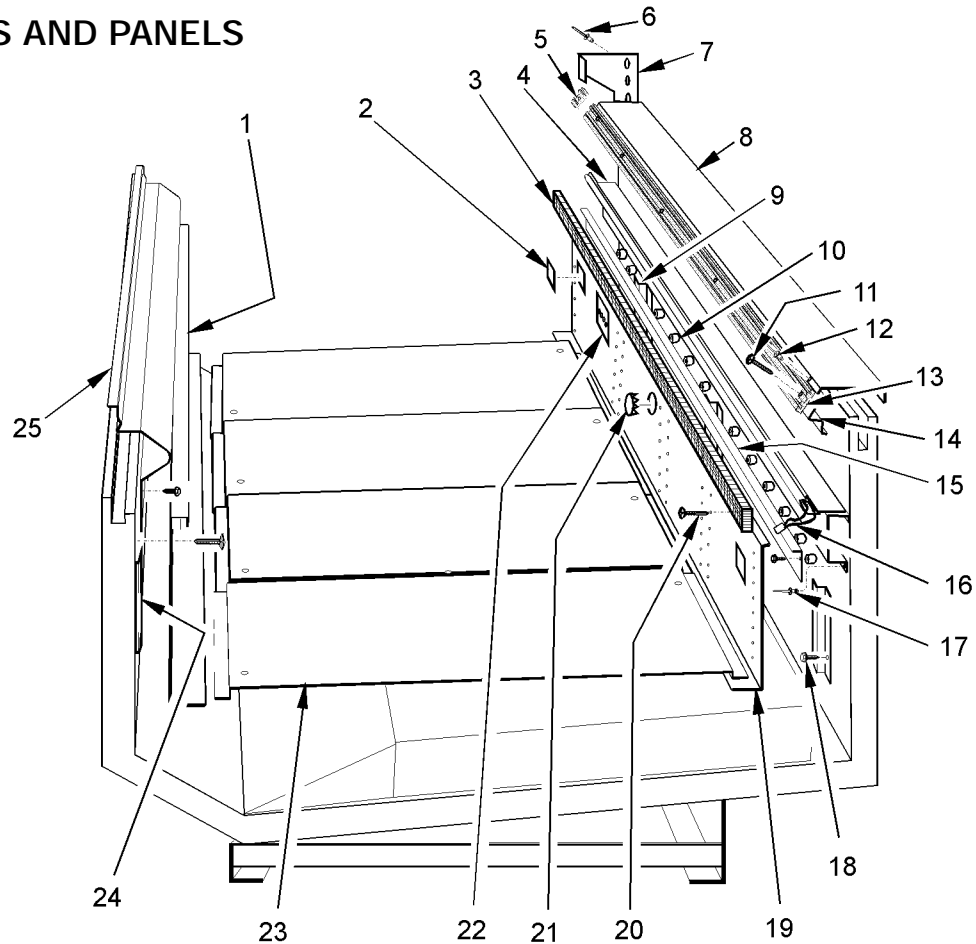
Part Number	Color
9042896	Cool Gray
9042897	Black
9042898	Pearl
9042899	Steel Gray

With Partition (145.062"):

Part Number
9042904
9042905
9042906
9042907



STRUCTURAL COMPONENTS DUCTS AND PANELS

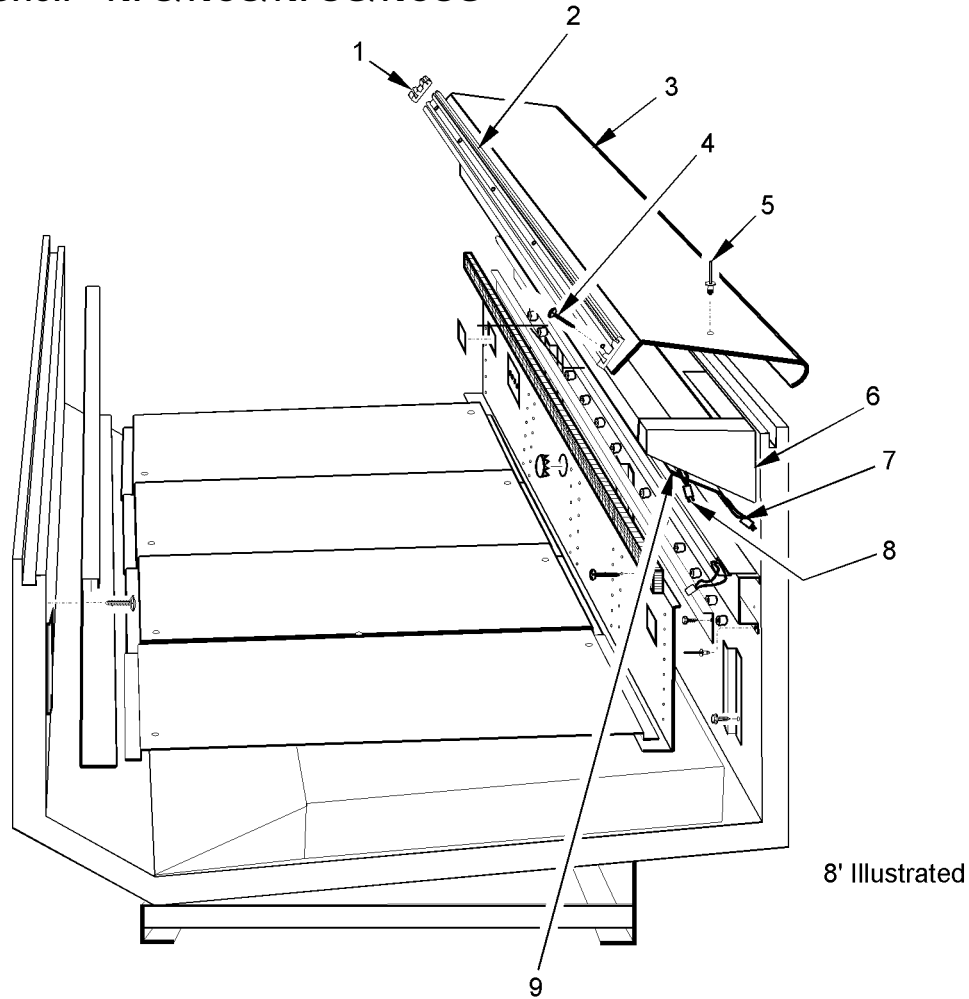


8' or 12' Merchandiser

Item	Part No.	Quantity		Description	Item	Part No.	Quantity		Description	
		8'	12'				8'	12'		
1	5203214	1	-	Front Duct (NF/NFS)	13	5120107	1	-	Card Molding (NF only)	
	5203215	-	1	Front Duct (NF/NFS)		5120108	-	1	Card Molding (NF only)	
	5229721	1	-	Front Duct (NFSG/NCSG)		14	5190069	1	-	LWR RR Riser Trim (NF only)
	5229722	-	1	Front Duct (NFSG/NCSG)			5190070	-	1	LWR RR Riser Trim (NF only)
2	5646033	4	4	Inspection Cover	15	5053942	1	-	Rear Deflector	
	5182042	1	-	Rear Duct Assy.		5053943	-	1	Rear Deflector	
3	5182043	-	1	Rear Duct Assy.	16	5124818	1	-	Heater Wire, 115V	
	5201290	4	6	Rear Duct Grid		5124819	-	1	Heater Wire, 115V	
	5182038	1	-	Grid Housing Assy.		5081149	1	-	Heater Wire, 220V	
4	5182039	-	1	Grid Housing Assy.	17	5081150	-	1	Heater Wire, 220V	
	5122282	2	2	Card Mldg. End Trim (NF only)		5104702	5	8	Rivet	
5	5619204	2	2	Screw (NF only)	18	5120943	12	20	Screw	
	5104702	6	6	Rivet (3 per close-off)(NF only)		19	5622368	1	-	Rear Duct
6	5215588	1	1	LH RR Riser Close-off (NF only)	5622369		-	1	Rear Duct	
	5215587	1	1	LH RR Riser Close-off (NF only)	20	5053985	8	12	Drill Quick	
7	5190044	1	-	UPR RR Riser Trim (NF only)		21	5198993	3	4	Plug Button
	5190045	-	1	UPR RR Riser Trim (NF only)	22		5605357	1	1	Sensor Plate
8	5619204	6	8	Screw (NF only)		23	5181938	1	-	Tray to Case Assy.
	5182037	3	5	Rear Duct Z-Bar	5181939		-	1	Tray to Case Assy.	
9	5127438	18	26	Rear Deflector Spacer	5182031	4	6	Tray Assy.		
	5053985	18	26	Drill Quick	5124331	8	12	Bushing, Heyco		
10	5619204	6	8	Screw (NF only)	24	5182180	3	5	Front Duct Z-Bar	
	5104702	8	10	Rivet (NF only)		5120943	9	15	Screw	
11	5104702	8	10	Rivet (NF only)	25	5229244	2	3	Front Trim Guard	
						5183536	4	6	Screw	



STRUCTURAL COMPONENTS - (CONT'D)
 DUCTS AND PANELS
 Rear Shelf - NFS/NCS/NFSG/NCSG

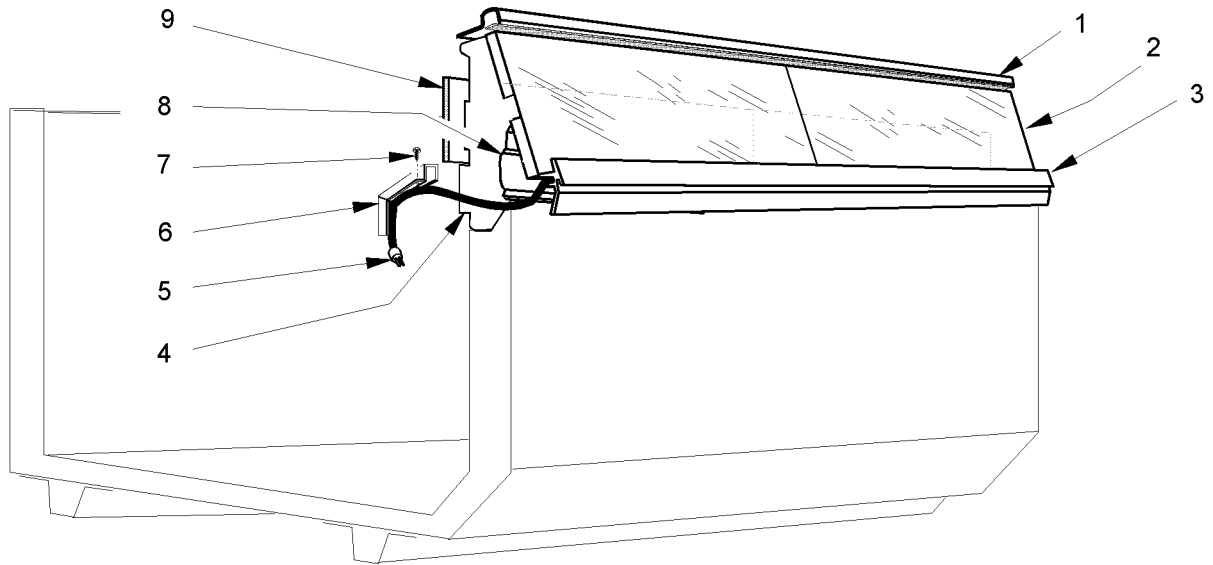


8' or 12' Merchandiser

Item	Part No.	Quantity		Description	Item	Part No.	Quantity		Description
		8'	12'				8'	12'	
1	5122282	1	1	Card Molding End Trim	*	5182176	1	-	Rear Shelf Lower Trim Assy.
	5619204	1	1	Screw	*	5182177	-	1	Rear Shelf Lower Trim Assy.
2	5120107	1	-	Card Molding	7	5124818	1	-	Heater Wire
	5120108	-	1	Card Molding		5124819	-	1	Heater Wire
3	5127427	1	-	Shelf Hood		5108656	A/R	A/R	Aluminum Tape
	5127428	-	1	Shelf Hood	8	5124216	1	-	Heater Wire
4	5619204	6	8	Screw		5124217	-	1	Heater Wire
5	5104702	8	12	Rivet		5108656	A/R	A/R	Aluminum Tape
6	5041540	1	-	Rear Shelf Weld Assy.	9	5182019	1	-	Lower Shelf Trim
	5041541	-	1	Rear Shelf Weld Assy.		5182020	-	1	Lower Shelf Trim



STRUCTURAL COMPONENTS - (CONT'D)
TOP GLASS - NFSG/NCSG

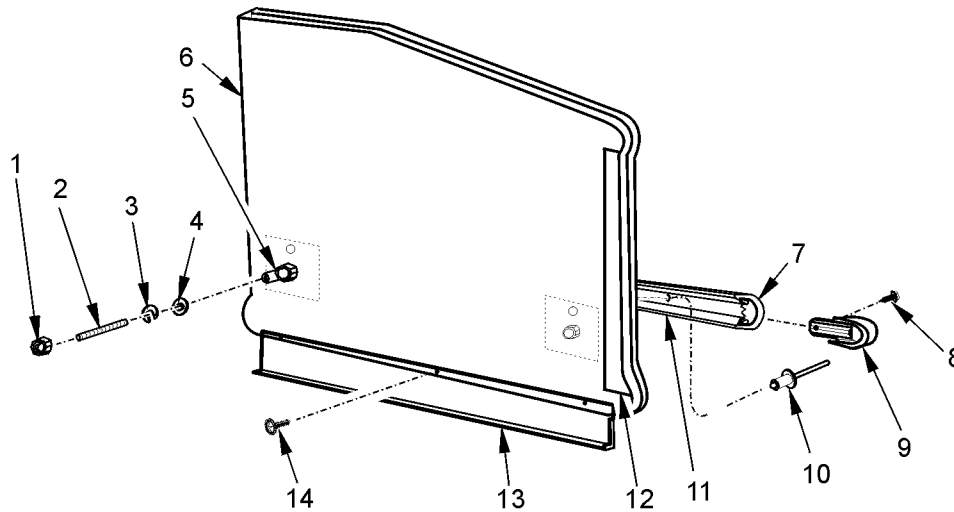


8' or 12' Merchandiser

Item	Part No.	Quantity		Description	Item	Part No.	Quantity		Description
		8'	12'				8'	12'	
1	9026086	1	-	Front Glass Rail	9029075	1	1	RH CTR Bottom Glass Support	
	9026085	-	1	Front Glass Rail					
2	5225336	2	-	Front Thermo Glass	5	5218331	1	-	Heater Wire 127 ohms/ft
	5957497	-	2	Front Thermo Glass		5218332	-	1	Heater Wire 96 ohms/ft
3	9300586	1	-	Front Glass Retainer Assy.		5057259	A/R	A/R	Aluminum Tape
	9300587	-	1	Front Glass Retainer Assy.	6	5228003	1	1	LH Wire Cover
4	9023334	1	1	LH End Glass Support, Adj.		5228002	1	1	RH Wire Cover
	9023335	1	1	RH End Glass Support, Adj.	7	5203018	8	8	Screw
	9029077	1	1	LH CTR Bottom Glass Support	8	5201014	2	-	Rear Glass Retainer
						5201015	-	2	Rear Glass Retainer
					9	5225336	2	-	Barrier Glass
						5228220	-	2	Barrier Glass



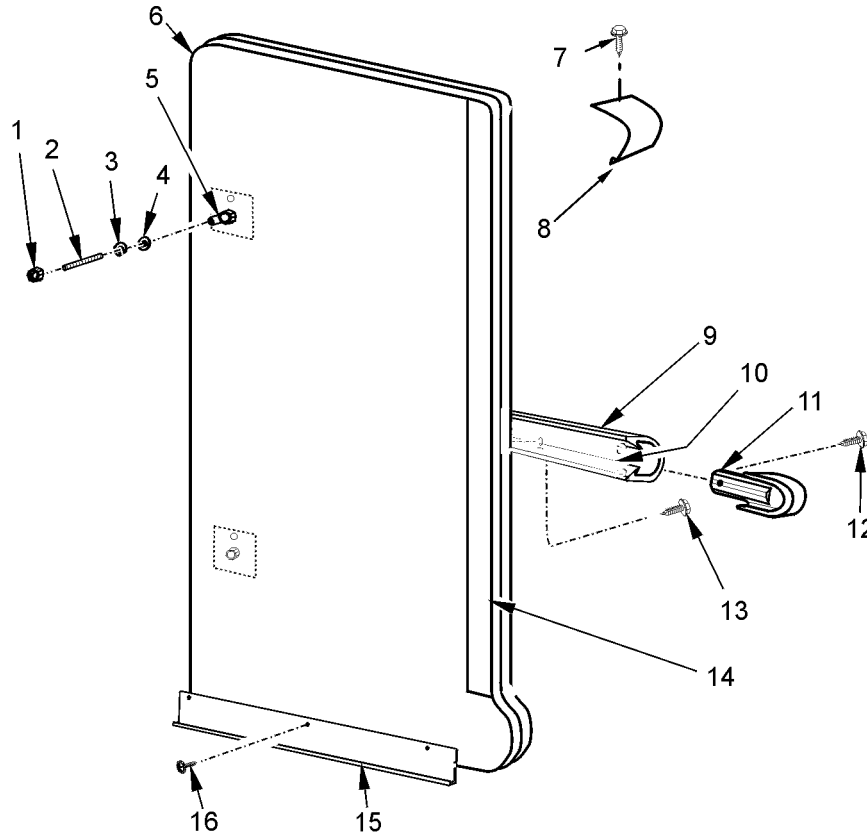
STRUCTURAL COMPONENTS - (CONT'D)
PATCH ENDS, PARTITIONS AND DIVIDERS
Solid Patch End - NF/NFS/NCS



Item	Part No.	Qty.	Description	Item	Part No.	Qty.	Description
*	9022395	1	RH Flat End Assy., Ptd. w/FRP Liner	7	9027976	2	1" End Bumper, Cool Gray
*	9022396	1	LH Flat End Assy., Ptd. w/FRP Liner		9027977	2	1" End Bumper, Black
1	5100625	2	Nut, 5/16"-18		9027978	2	1" End Bumper, Pearl
2	9022759	2	Stud, 5/16"-18 x 3"		9029313	2	1" End Bumper, Pearly Gates
3	5101003	2	Lockwasher		9310875	2	1" End Bumper, Steel Gray
4	5100976	2	Washer	8	5053985	4	Screw
5	9022756	2	Threaded Insert	9	9027743	4	End Cap, Cool Gray
6	9028317	1	RH Flat End Bench Assy., Ptd. w/FRP Liner		9027744	4	End Cap, Black
	9028318	1	LH Flat End Bench Assy., Ptd. w/FRP Liner		9027742	4	End Cap, Pearl
*	9021387	1	Pair End Bumpers, Cool Gray		9026528	4	End Cap, Pearly Gates
*	9021405	1	Pair End Bumpers, Black		9310881	4	End Cap, Steel Gray
*	9021351	1	Pair End Bumpers, Pearl	10	5104702	24	Rivet
*	9301924	1	Pair End Bumpers, Pearly Gates	11	9027883	2	Mounting Retainer
*	9310870	1	Pair End Bumpers, Steel Gray	12	9301560	1	End Protector Plate
					1309067	3	Screw
					5186737	1	Foam Gasket
				13	9027927	1	End Base Close-off, Ptd.
				14	5048626	3	Screw



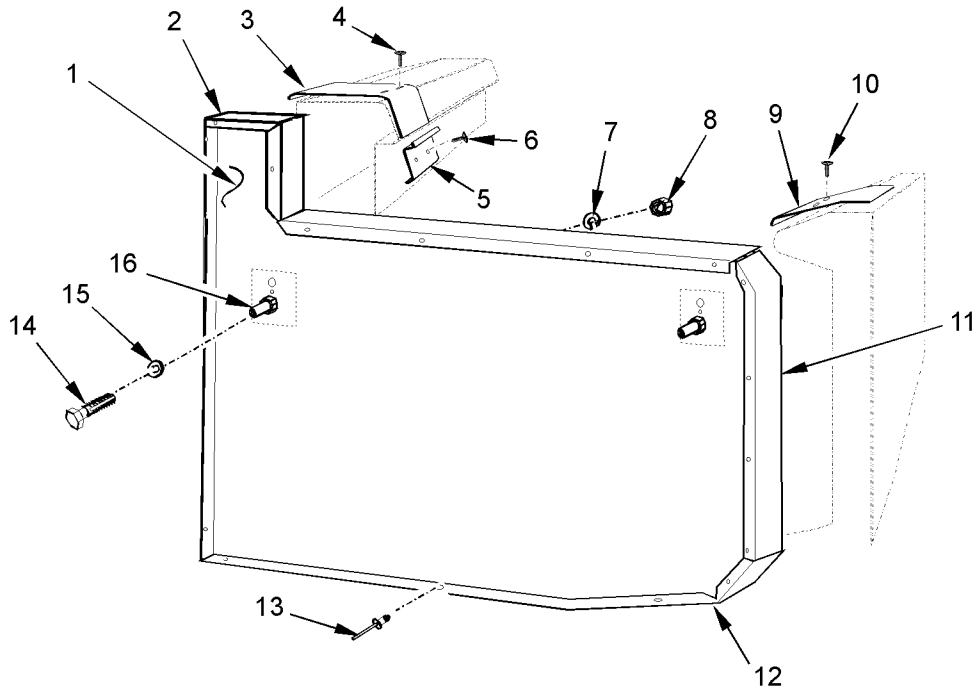
STRUCTURAL COMPONENTS - (CONT'D)
PATCH ENDS, PARTITIONS AND DIVIDERS
Solid Patch End - NF/NFS/NCS (with Superstructure)



Item	Part No.	Qty.	Description	Item	Part No.	Qty.	Description
*	9022399	1	RH DNS Superstructure End Assy., Ptd. w/FRP Liner	*	9021387	1	Pair End Bumpers, Cool Gray
*	9022400	1	LH DNS Superstructure End Assy., Ptd. w/FRP Liner	*	9021405	1	Pair End Bumpers, Black
*	9022397	1	RH DSAL Superstructure End Assy., Ptd. w/FRP Liner	*	9021351	1	Pair End Bumpers, Pearl
*	9022398	1	LH DSAL Superstructure End Assy., Ptd. w/FRP Liner	*	9301924	1	Pair End Bumpers, Pearly Gates
1	5100625	2	Nut, 5/16"-18	*	9310870	1	Pair End Bumpers, Steel Gray
2	9022759	2	Stud, 5/16"-18 x 3"	9	9027976	2	1" End Bumper, Cool Gray
3	5101003	2	Lockwasher		9027977	2	1" End Bumper, Black
4	5100976	2	Washer		9027978	2	1" End Bumper, Pearl
5	9022756	2	Threaded Insert		9029313	2	1" End Bumper, Pearly Gates
6	9028321	1	RH DNS End Bench Assy., Ptd. w/FRP Liner		9310875	2	1" End Bumper, Steel Gray
	9028322	1	LH DNS End Bench Assy., Ptd. w/FRP Liner	10	9027883	2	Mounting Retainer
	9028319	1	RH DSAL End Bench Assy., Ptd. w/FRP Liner	11	9027743	4	End Cap, Cool Gray
	9028320	1	LH DSAL End Bench Assy., Ptd. w/FRP Liner		9027744	4	End Cap, Black
7	5219883	4	Screw		9027742	4	End Cap, Pearl
8	9029422	1	Hood Canopy Trim, Ptd.		9026528	4	End Cap, Pearly Gates
					9310881	4	End Cap, Steel Gray
				12	5183536	4	Screw
				13	5183536	12	Screw
				14	9301560	1	End Protector Plate
					1309067	3	Screw
					5186737	1	Foam Gasket
				15	9027927	1	End Base Close-off, Ptd.
				16	5048626	3	Screw



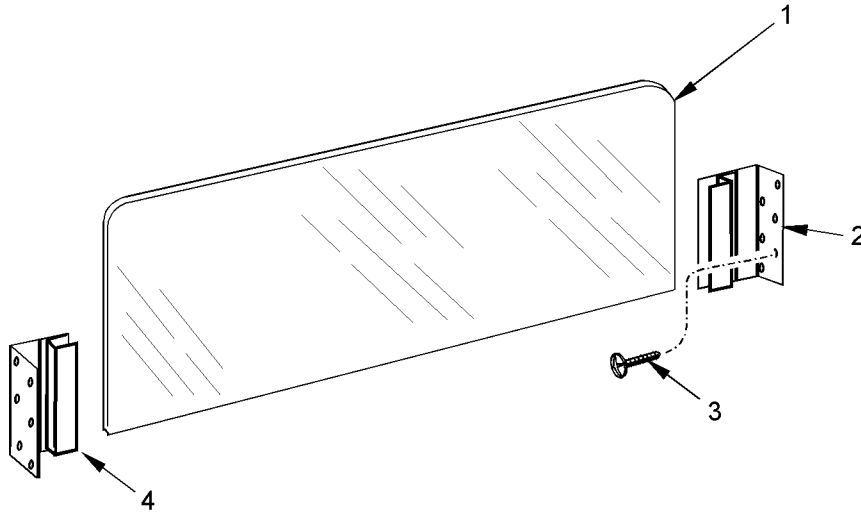
STRUCTURAL COMPONENTS - (CONT'D)
 PATCH ENDS, PARTITIONS AND DIVIDERS
 1" Solid Partition - NF/NFS/NCS



Item	Part No.	Qty.	Description	Item	Part No.	Qty.	Description
1	9028719	1	1" Solid Partition Assy., Ptd.	9	5207491	1	Front Joint Trim
2	9030428	1	Top Trim	10	5205439	2	Screw
3	5629361	1	Upper Rear Riser Joint Trim	11	9301968	1	Front Trim
4	5205439	2	Screw	12	9030426	1	Outer Lower Trim
5	5182434	1	Lower Rear Riser Joint Trim	13	5104702	46	Rivet
6	5205439	2	Screw	14	5122898	1	Screw
7	5101006	2	Lockwasher	15	5100979	2	Washer
8	5126973	2	Nut	16	5053056	1	Pull-up Sleeve



STRUCTURAL COMPONENTS - (CONT'D)
PATCH ENDS, PARTITIONS AND DIVIDERS
Inside Plexiglas Divider - NF/NFS/NCS



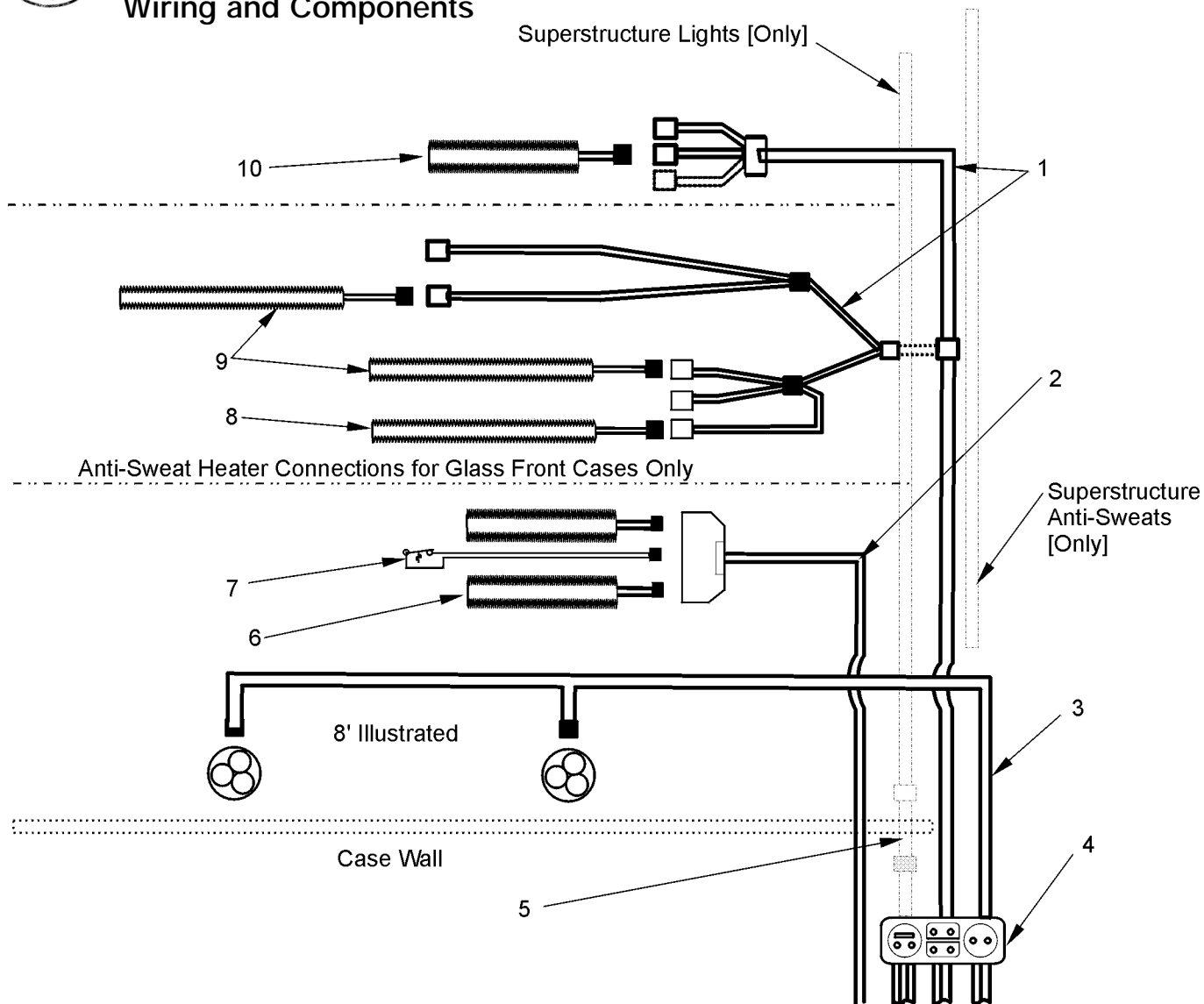
Item	Part No.	Qty.	Description
*	5182573	1	Plexiglas Divider Assy.
1	5128906	1	Plexiglas Divider
2	5182471	1	Rear Support Assy.
3	5205439	10	Screw
4	5028559	1	Front Support Assy.



ELECTRICAL SYSTEM COMPONENTS

WIRING HARNESSSES - NFS(G)/NCS(G)

Wiring and Components



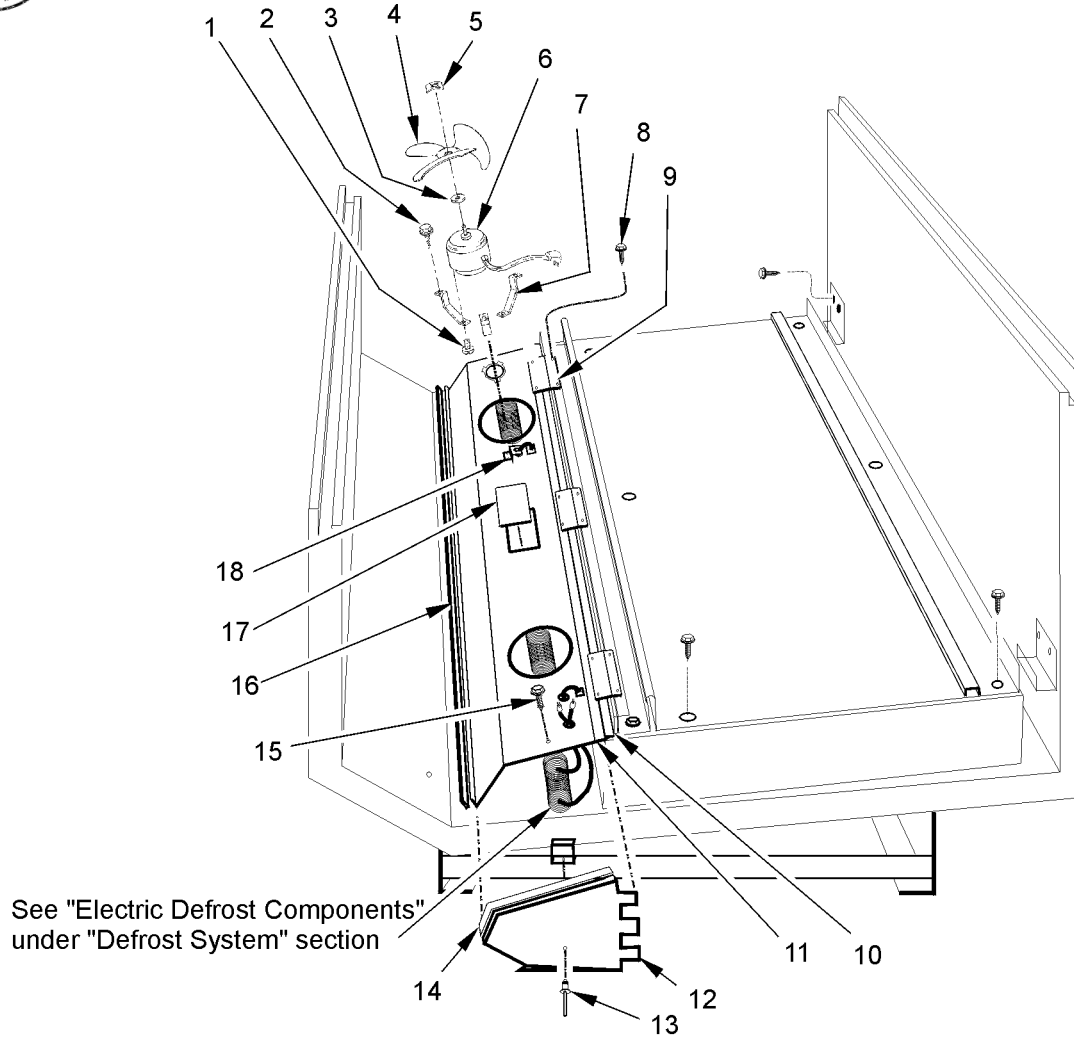
8' and 12' Merchandiser

Item	Part No.	Quantity		Description	Item	Part No.	Quantity		Description
		8'	12'				8'	12'	
1	5210941	1	1	Anti-Sweat Harness (NF/NFS/NCS)	9	5227998	2	-	Thermo Glass
	5212544	1	1	Anti-Sweat Harness (NFSG/NCSG)		5957497	-	2	Thermo Glass
2	5219930	1	1	Harness, 220V Input	10	5124818	1	-	Heater Wire, 115V RR Riser
3	5199414	1	-	Fan Harness		5124819	-	1	Heater Wire, 115V RR Riser
	5199415	-	1	Fan Harness		5124216	1	-	Heater Wire, 220V RR Riser
4	5199320	1	1	Harness, 115V Input		5124217	-	1	Heater Wire, 220V RR Riser
5	5220484	1	1	Harness Adapter	Hot Gas Options				
6	5960934	1	-	Defrost Heater	-	5224113	1	-	Fan Control Jumper Harness
	5960935	-	1	Defrost Heater	-	9023508	1	-	H.G. Term Klixon-55/40
7	5125211	1	1	Klixon Thermostat		9023503	1	-	Fan Cont. Klixon-50/40
8	5128331	1	-	Heater Wire, Glass Retainer					
	5128332	-	1	Heater Wire, Glass Retainer					



ELECTRICAL SYSTEM COMPONENTS - (CONT'D)

FAN SYSTEMS - NF/NFS/NCS/NFSG/NCSG

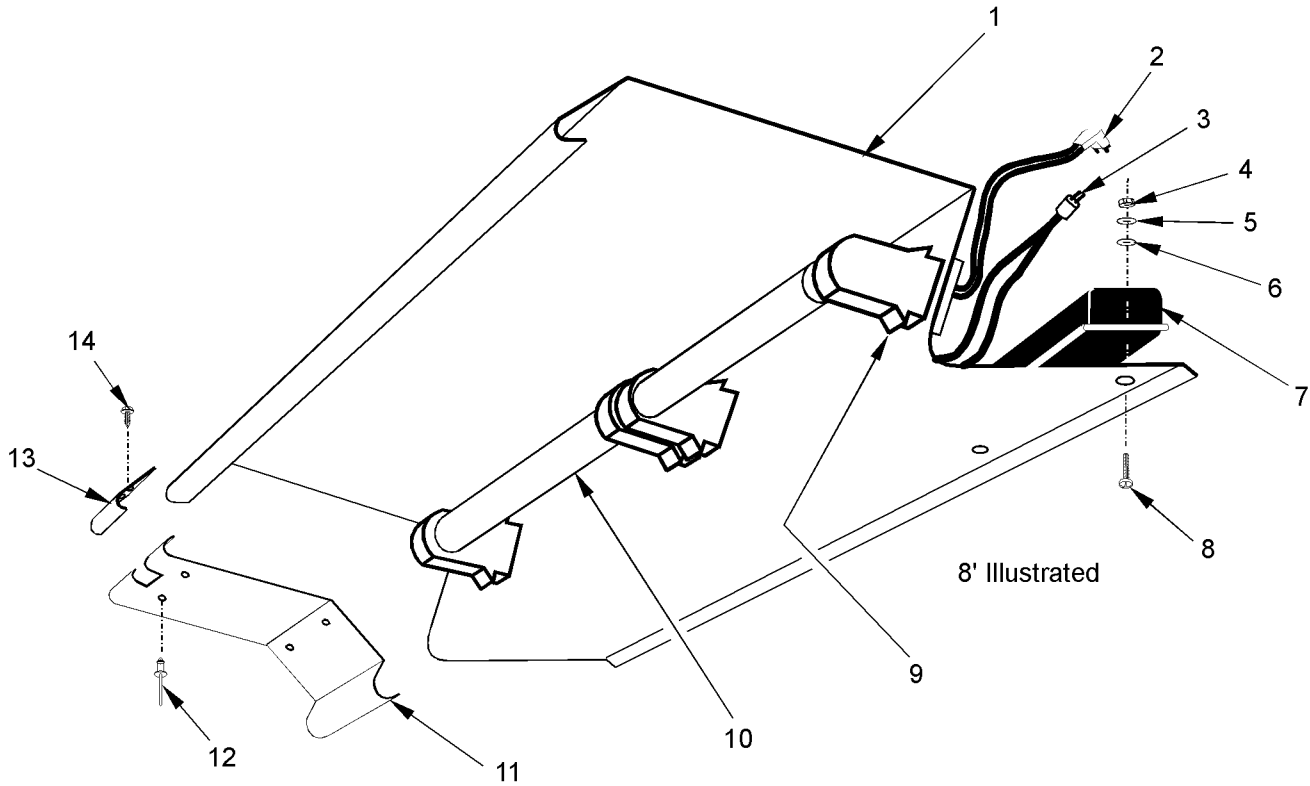


8' and 12' Merchandiser

Item	Part No.	Quantity		Description	Item	Part No.	Quantity		Description
		8'	12'				8'	12'	
*	5025798	2	3	Fan Motor & Bracket Assy.	11	5223345	1	-	Fan Panel
1	----	6	9	Screw (furnished w/ motor)	12	5223346	-	1	Fan Panel
2	5120943	6	9	Screw	12	5223343	1	1	RH Fan Panel Close-off
3	----	2	3	Gasket (furnished w/ motor)		5223344	1	1	LH Fan Panel Close-off
4	5105621	2	3	Fan Blade - 6", 27° Pitch	13	5104702	2	2	Rivet (1 per close-off)
5	----	2	3	Nut (furnished w/ motor)	14	5107190	6'	6'	Gasket (3' per close-off)
6	5125532	2	3	Fan Motor - 5W, 115V	16	5107190	8'	12'	Gasket
	5202538	2	3	Opt. Fan Motor - 5W, 220V	15	5183536	2	2	Screw
7	5213132	6	9	Fan Motor Bracket	17	5644806	1	1	Inspection Hole Cover
	9041077	2	3	Fan Bracket MTG Plate		5183536	2	2	Screw
8	5120746	12	16	Screw	18	5206177	2	3	Fan Harness Clip
9	5186058	3	4	Hinge		5183536	2	3	Screw
10	5107190	8'	12'	Gasket		5122007	2	3	Strain Relief



ELECTRICAL SYSTEM COMPONENTS - (CONT'D)
 OPTIONAL TOP SHELF LIGHT ASSEMBLY , T-8 - NFS/NCS/NFSG/NCSG

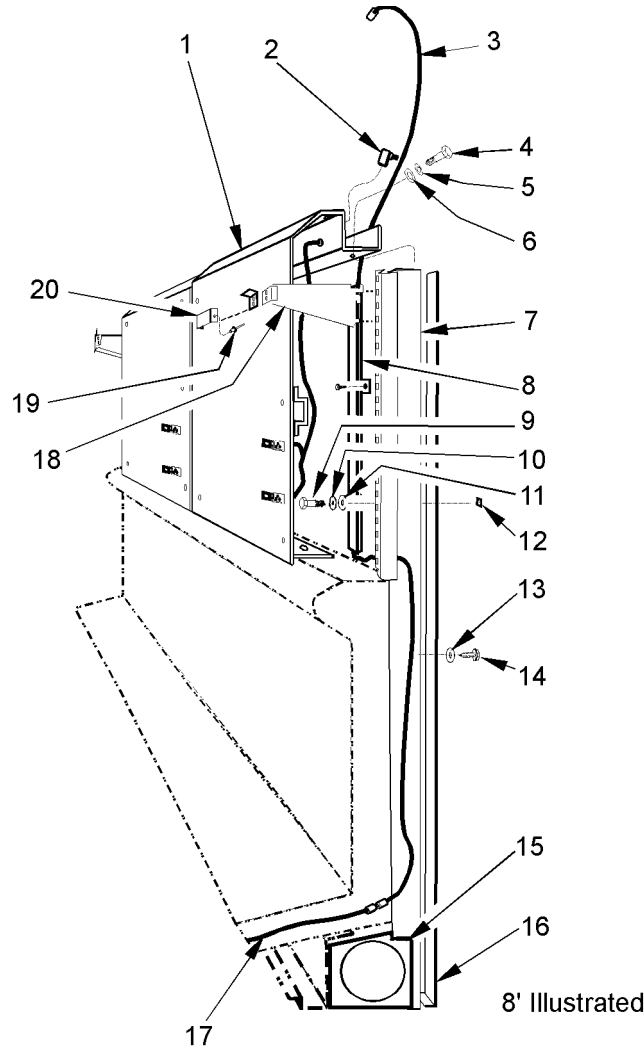


8' and 12' Merchandiser

Item	Part No.	Quantity		Description	Item	Part No.	Quantity		Description
		8'	12'				8'	12'	
*	9028201	1	-	Light Channel Assy., 8'	6	5100973	2	2	Washer
*	9028202	-	1	Light Channel Assy., 12'	7	5991029	1	-	Ballast, 2-Lamp T-8
1	5190178	1	-	Light Channel		5991030	-	1	Ballast, 3-Lamp T-8
	5190179	-	1	Light Channel	8	5111197	2	2	Screw
2	5220526	1	1	Light Harness	9	5232279	4	6	Lampholder
	5220484	1	1	Light Harness	10	----	2	3	Fluorescent Lamp
3	5124818	1	-	Heater Wire	11	5182435	1	1	LWR Light Channel Joint Trim
	5124819	-	1	Heater Wire	12	5104702	4	4	Rivet
	5108656	A/R	A/R	Aluminum Tape	13	5128761	1	1	UPR Light Channel Joint Trim
4	5111198	2	2	Nut	14	5120943	2	2	Screw
5	5105111	2	2	Lockwasher					



ELECTRICAL SYSTEM COMPONENTS - (CONT'D)
OPTIONAL SUPERSTRUCTURE COMPONENTS - NF/NFS/NCS
DNS Superstructure Upright Assembly

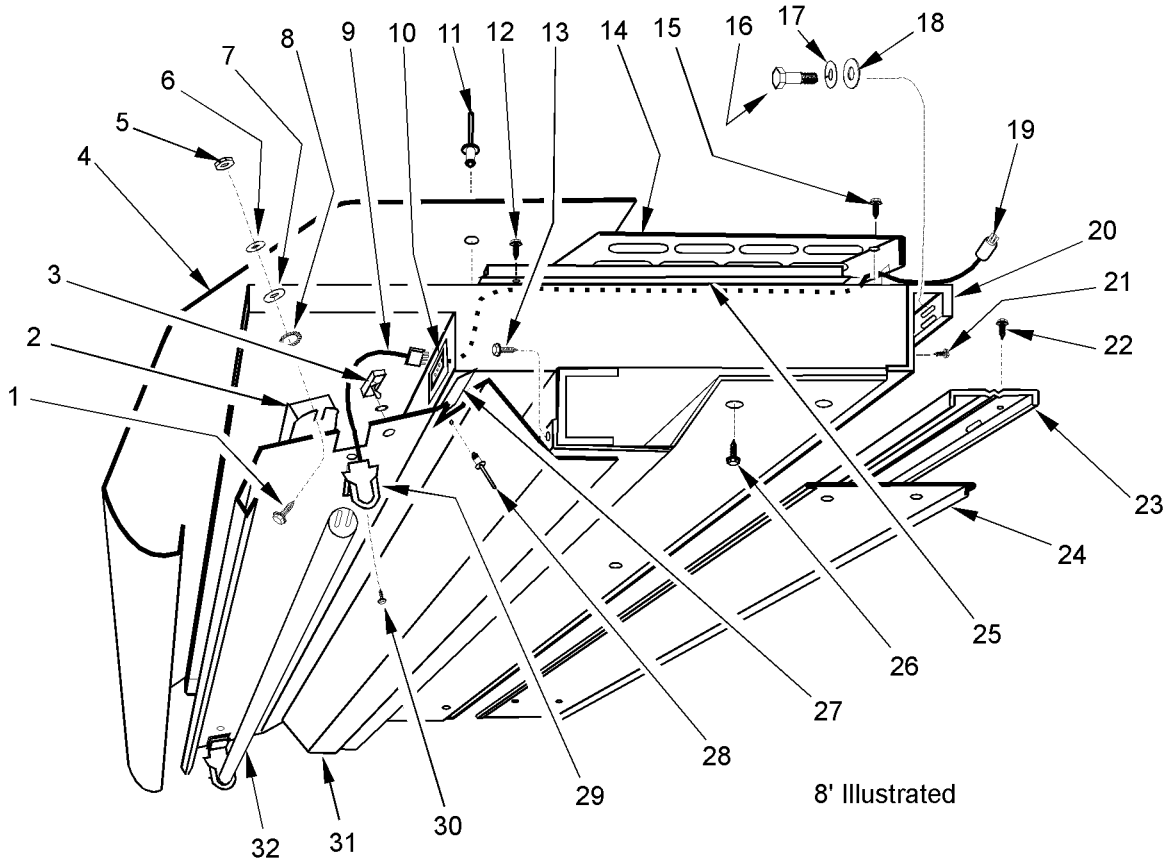


8' and 12' Merchandiser

Item	Part No.	Quantity		Description	Item	Part No.	Quantity		Description
		8'	12'				8'	12'	
*	9020854	1	-	DNS Superstructure Assy. w/ Canopy	9	5109019	9	12	Bolt
*	9020855	-	1	DNS Superstructure Assy. w/ Canopy	10	5101006	9	12	Lockwasher
1	5204388	2	3	Back Panel Weld Assy.	11	5100979	9	12	Washer
2	5220500	2	3	Shelf Light Harness	12	5080834	9	12	Nut & Plate Assy.
	5123674	2	3	Strain Relief	13	5100973	6	6	Washer
3	5220485	1	-	Electric Raceway Harness	14	1309067	6	6	Screw
	5220486	-	1	Electric Raceway Harness	15	5186620	1	2	RH Boot Support
4	5107443	3	4	Bolt		5186621	2	2	LH Boot Support
5	5101006	3	4	Lockwasher	16	5202484	1	1	Upright Harness Cover
6	5100979	3	4	Washer		5104957	6	6	Screw
7	5204380	1	1	RH End Upright Assy.	17	5212927	1	1	Superstructure Harness
	5204382	1	2	Center Upright Assy.	18	5204433	2	2	RH Canopy Bracket Assy.
	5204381	1	1	LH End Upright Assy.		5204434	1	2	LH Canopy Bracket Assy.
8	5202485	2	3	Shelf Harness Cover		5080834	6	8	Nut & Plate Assy.
	5183536	10	15	Screw	19	5104702	6	8	Rivet
					20	5206183	3	4	Canopy Bracket Cover



ELECTRICAL SYSTEM COMPONENTS - (CONT'D)
 OPTIONAL SUPERSTRUCTURE COMPONENTS - NF/NFS/NCS
 DNS Superstructure Canopy Assembly



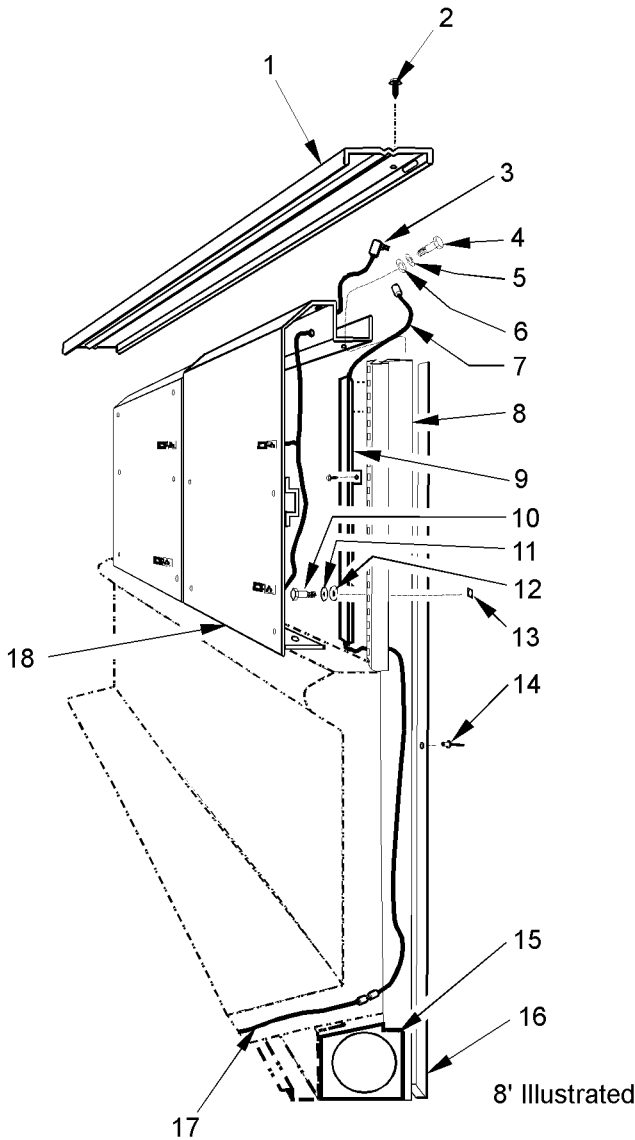
8' and 12' Merchandiser

Item	Part No.	Quantity		Description	Item	Part No.	Quantity		Description
		8'	12'				8'	12'	
*	9020854	1	-	DNS Superstructure Assy. w/ Canopy	16	5107443	2	3	Bolt
*	9020855	-	1	DNS Superstructure Assy. w/ Canopy	17	5101006	2	3	Lockwasher
1	5100379	2	2	Screw	18	5100979	2	3	Washer
2	5991029	1	-	Ballast, 2-Lamp	19	5210919	1	1	Canopy Harness
	5991030	-	1	Ballast, 3-Lamp		5123781	2	2	Screw
3	5100565	1	1	Toggle Switch	20	5202626	1	-	Canopy Bench Assy.
4	9025223	1	-	Canopy Hood		5202627	-	1	Canopy Bench Assy.
	9025224	-	1	Canopy Hood	21	5123781	8	11	Screw
5	5100661	2	2	Nut	22	5619204	4	6	Screw
6	5101000	2	2	Lockwasher	23	5129554	1	-	Light Raceway Cover
7	5100973	2	2	Washer		5129555	-	1	Light Raceway Cover
8	5103973	2	2	Shakeproof Washer	24	5202479	1	-	Canopy Cover Weld Assy.
9	9027302	1	1	Light Harness		5202480	-	1	Canopy Cover Weld Assy.
10	5213024	1	1	Light Harness Plate	25	5213035	1	1	Light Harness Cover
	5123781	2	2	Screw	26	5183536	4	6	Screw
11	5105037	5	7	Rivet	27	9025994	3	4	Cover
12	5183536	10	13	Screw	28	5104702	4	6	Rivet
13	5183536	6	8	Screw	29	5232279	4	6	Lampholder
14	5213027	1	-	Rear Hood	30	5214107	4	6	Screw
	5213028	-	1	Rear Hood	31	9301705	1	-	Light Channel
15	5183536	6	8	Screw		9301706	-	1	Light Channel
					32	----	2	3	T-8 Fluorescent Lamp



ELECTRICAL SYSTEM COMPONENTS - (CONT'D)
 OPTIONAL SUPERSTRUCTURE COMPONENTS - NF/NFS/NCS
 DSAL Superstructure Assembly

8' and 12' Merchandiser

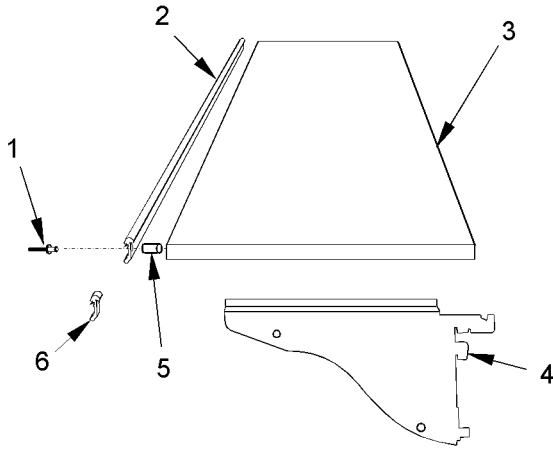


Item	Part No.	Quantity		Description
		8'	12'	
*	5213334	1	-	DSAL Superstructure Assy. w/ 12" & 18" Shelves (NF only)
*	5213335	-	1	DSAL Superstructure Assy. w/ 12" & 18" Shelves (NF only)
*	9310378	1	-	DSAL Superstructure Assy. w/ 18" Shelves (NF only)
*	9310379	-	1	DSAL Superstructure Assy. w/ 18" Shelves (NF only)
*	5645248	1	-	DSAL Superstructure Assy. w/ 12" & 18" Shelves
*	5645249	-	1	DSAL Superstructure Assy. w/ 12" & 18" Shelves
1	5129554	1	-	Light Cover
	5129555	-	1	Light Cover
2	5619204	4	6	Screw
3	5220500	2	3	Shelf Light Harness
	5123674	2	3	Strain Relief
4	5107443	2	3	Bolt
5	5101006	2	3	Lockwasher
6	5100979	2	3	Washer
7	5220501	1	1	Shelf Light Supply Harness
8	5202903	1	1	RH Rear End Upright Assy.
	5202915	1	2	Center Upright Assy.
	5205904	1	1	LH Rear End Upright Assy.
†	9310380	1	1	RH Rear End Upright Assy.
†	9310388	1	2	Center Upright Assy.
†	9310381	1	1	LH Rear End Upright Assy.
	1309067	4	6	Screw
9	5203299	1	2	Shelf Harness Cover
†	9210393	1	2	Shelf Harness Cover
	5183536	2	4	Screw
10	5100748	9	12	Bolt
†	5109019	9	12	Bolt
11	5101006	9	12	Lockwasher
12	5100979	9	12	Washer
13	5080834	9	12	Nut & Plate Assy.
14	5104957	4	4	Rivet
15	5186620	2	2	RH Boot Support
	5186621	1	2	LH Boot Support
16	5203298	1	1	Upright Harness Cover
†	9310392	1	1	Upright Harness Cover
17	5212927	1	1	Superstructure Harness
18	5058471	2	3	Back Panel Weld Assy.
†	9310391	2	3	Back Panel Weld Assy.

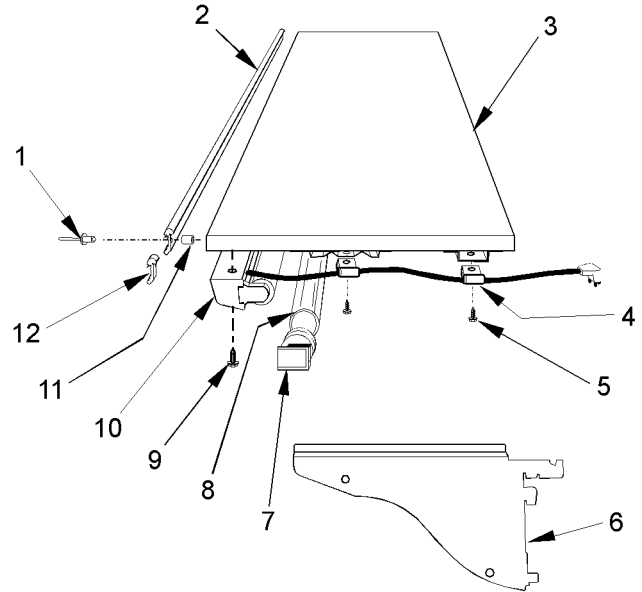
† Specific Part to P/N 9310378 & 9310379
 DSAL Superstructure Assemblies only.



ELECTRICAL SYSTEM COMPONENTS - (CONT'D)
OPTIONAL SUPERSTRUCTURE COMPONENTS - NF/NFS/NCS
DNS/DSAL Superstructure Shelving - 12", 15" & 18"



12"/15" Shelf w/o Lights



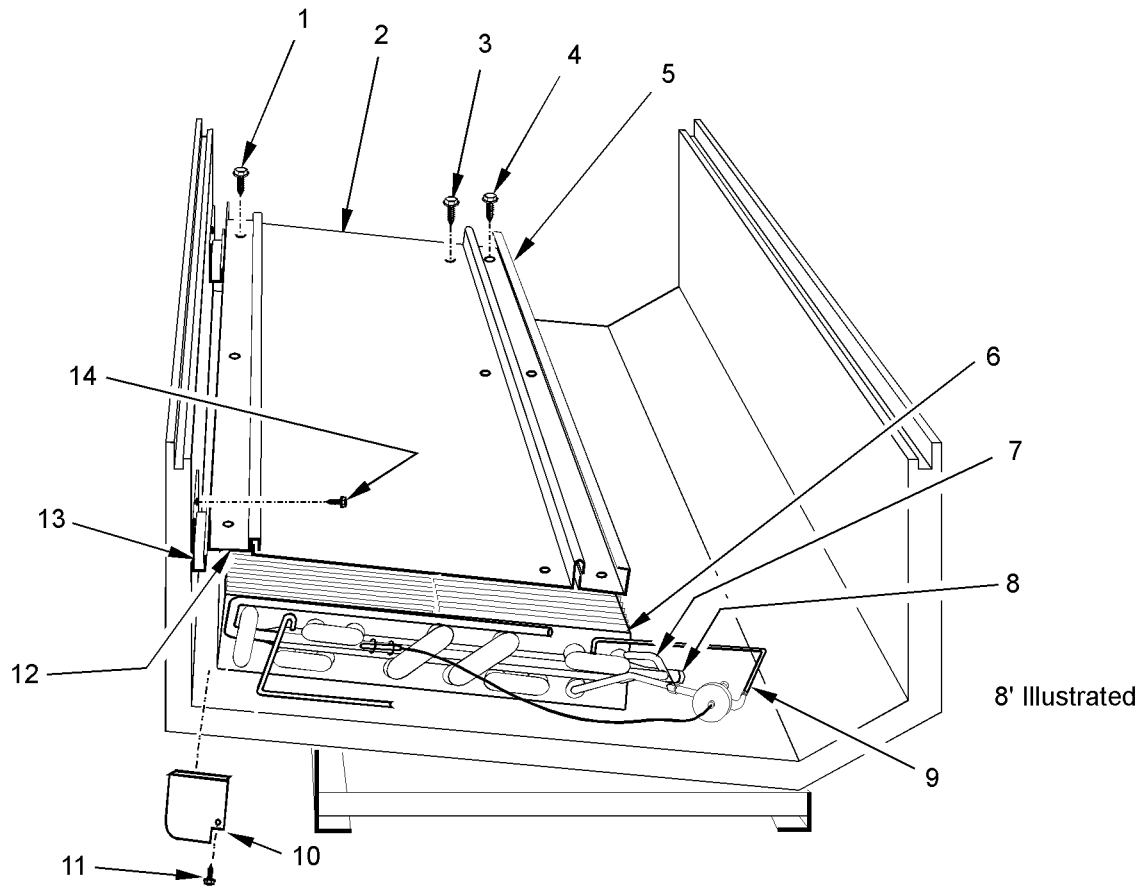
18" Shelf w/ Lights

Item	Part No.	Quantity		Description
		8'	12'	
*	5619373	2	3	Kit, 15" Shelf Assy. w/o Lights
*	5619372	2	3	Kit, 12" Shelf Assy. w/o Lights (DSAL only)
*	5220638	2	3	15" Shelf Bench Assy.
*	5220637	2	3	12" Shelf Bench Assy. (DSAL only)
1	5144974	8	12	Rivet
2	5236879	2	3	Narrow Card Molding
3	5220612	2	3	Shelf, 15" x 48"
	5220611	2	3	Shelf, 12" x 48" (DSAL only)
4	5185810	2	3	RH Shelf Bracket
	5185811	2	3	LH Shelf Bracket
	5088408	2	3	RH Shelf Bracket (12" shelf - DSAL only)
	5088409	2	3	LH Shelf Bracket (12" shelf - DSAL only)
5	5127438	8	12	Spacer
6	5941919	2	3	Card Molding Joint Trim

Item	Part No.	Quantity		Description
		8'	12'	
*	5220648	2	3	Kit, 18" Shelf Assy. w/ 430MA Lights (NF only)
*	5220542	2	3	18" Shelf Bench Assy. w/ 430MA Lights (NF only)
*	5991102	2	3	18" Shelf Bench Assy. w/ T-8 Lights (NF only)
1	5144974	8	6	Rivet
2	5236879	2	3	Narrow Card Molding
3	5220613	2	3	Shelf, 18" x 48"
4	5100902	4	6	Clip
5	5619204	4	6	Screw
6	5088412	2	3	RH Shelf Bracket
	5088413	2	3	LH Shelf Bracket
7	5217579	4	6	Lampholder Cap
	5981627	4	6	Lampholder Cap (T-8)
8	5981622	2	3	Lampshield, 48"
9	5183536	6	9	Screw
10	5220530	2	3	Light Channel Assy.
	5991055	2	3	Light Channel Assy. (T-8)
	5220533	2	3	Light Channel
	5217544	4	6	Lampholder
	5232279	4	6	Lampholder (T-8)
	5214107	4	6	Screw (1 per lampholder)
	5220488	2	3	Light Channel Harness
	5123674	2	3	Strain Relief
	5627909	2	3	Ballast, 430MA
	5991029	2	3	Ballast, T-8
	-----	2	3	48" Fluorescent Lamp (430MA)
	-----	2	3	48" Fluorescent Lamp (T-8)
11	5127438	8	12	Spacer
12	5941919	1	1	Card Molding Joint Trim



REFRIGERATION SYSTEM COMPONENTS COIL ASSEMBLIES - NF/NFS/NCS/NFSG/NCSG

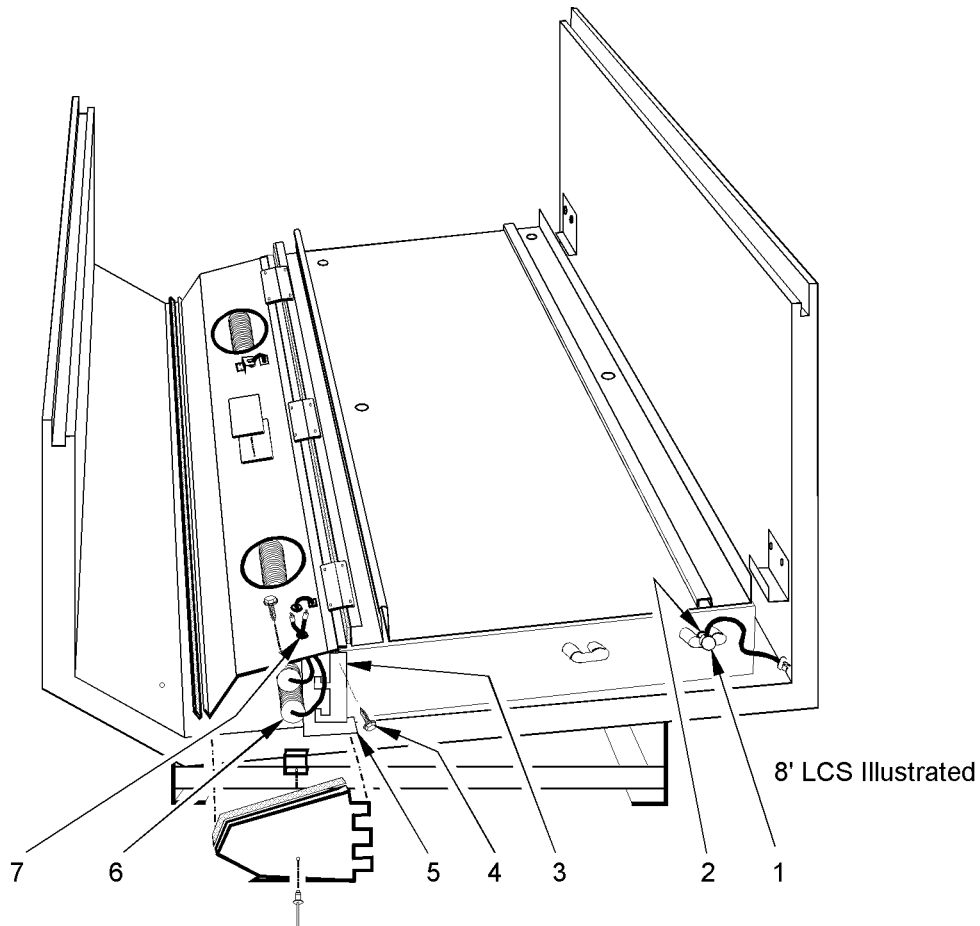


8' and 12' Merchandiser

Item	Part No.	Quantity		Description	Item	Part No.	Quantity		Description
		8'	12'				8'	12'	
1	5183536	3	4	Screw	8	5607405	1	1	Heat Exchanger
2	5185281	1	-	Coil Cover	9	5195144	1	1	Heat Exchanger to Exp. Valve Assy.
	5185282	-	1	Coil Cover					
3	5183536	3	4	Screw	10	5195244	1	1	LH Coil Close-off
4	5183536	3	4	Screw		5195243	1	1	RH Coil Close-off
5	5186469	1	-	Front Coil Close-off	11	5183536	2	2	Screw
	5186470	-	1	Front Coil Close-off	12	5186474	1	-	Rear Coil Close-off
6	5223258	1	-	Coil Assy.		5186475	-	1	Rear Coil Close-off
	5223259	-	1	Coil Assy.	13	5182036	1	1	LH End Duct Close-off
7	5195179	1	1	Suction Line		5182035	1	1	RH End Duct Close-off
	5223266	1	1	Access Valve Assy.	14	5183536	4	4	Screw
	5624902	1	1	Schrader Valve					



REFRIGERATION SYSTEM COMPONENTS - (CONT'D)
ELECTRIC DEFROST - NF/NFS/NCS

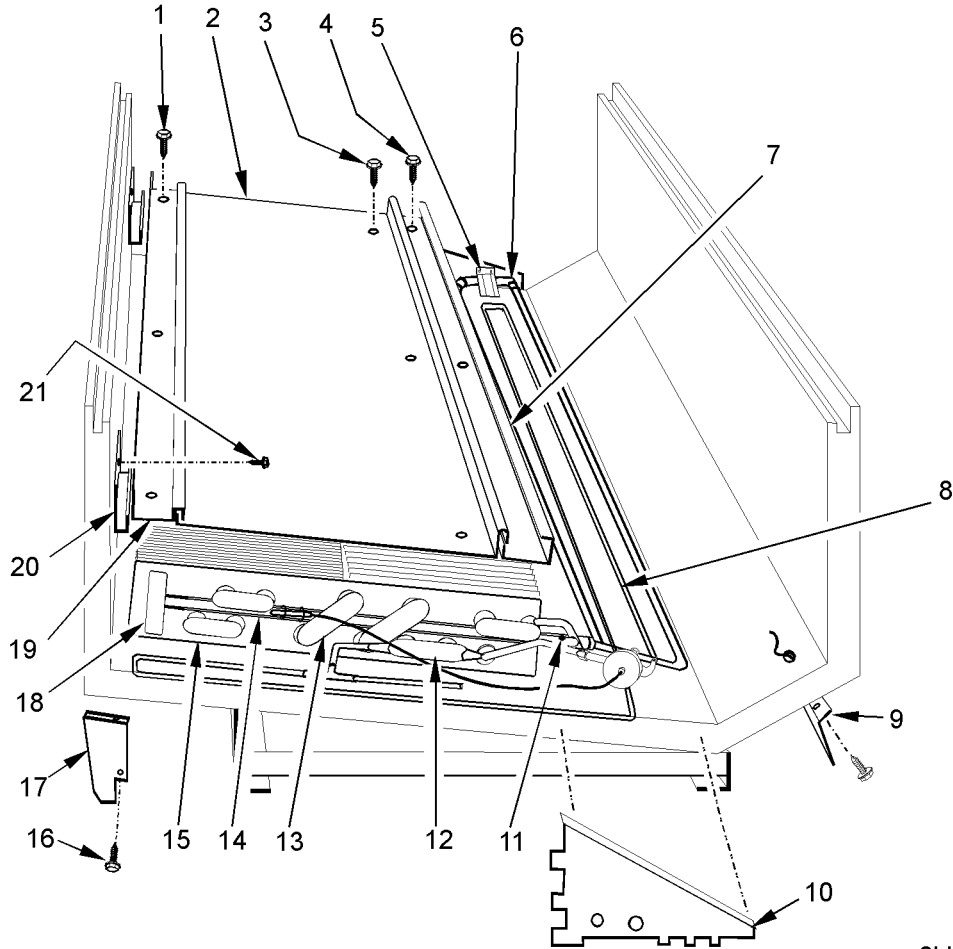


8' and 12' Merchandiser

Item	Part No.	Quantity		Description	Item	Part No.	Quantity		Description
		8'	12'				8'	12'	
1	5145098	1	1	Klixon Mounting Clip	6	5960934	1	-	Defrost Heater, 1430W (NF/NFS)
2	5125211	1	1	Klixon Thermostat, 50/30		5960935	-	1	Defrost Heater, 2145W (NF/NFS)
3	5193739	3	4	Defrost Heater Support		5960934	2	-	Defrost Heater, 1430W (NCS only)
4	5183536	6	8	Screw		5960935	-	2	Defrost Heater, 2145W (NCS only)
5	5195657	1	-	Heater Shield	7	5123674	1	1	Strain Relief
	5195658	-	1	Heater Shield					
	5214669	A/R	A/R	Adhesive, Silaprene					



REFRIGERATION SYSTEM COMPONENTS - (CONT'D)
 OPTIONAL HOT GAS DEFROST - NF/NFS/NCS/NFSG/NCSG



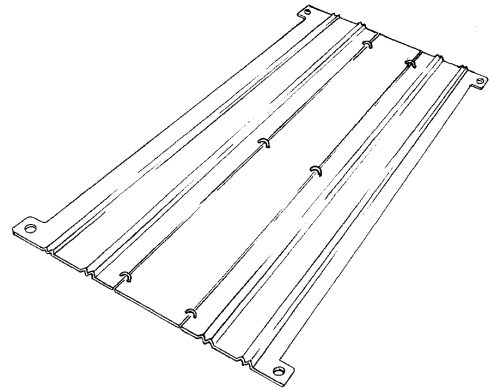
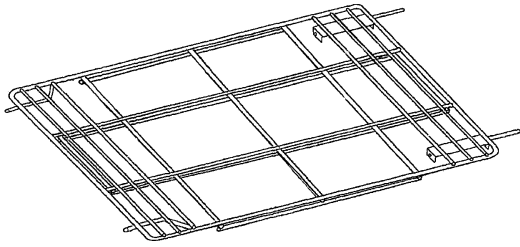
8' Illustrated

8' and 12' Merchandiser

Item	Part No.	Quantity		Description	Item	Part No.	Quantity		Description
		8'	12'				8'	12'	
1	5120943	3	4	Screw	5200228	1	1	Check Valve - 1/2" OD	
2	5185281	1	-	Coil Cover	5195245	1	1	Hot Gas Tubing Assy.	
	5185282	-	1	Coil Cover	5202323	1	1	Hot Gas Tubing	
3	5120943	3	4	Screw	13	5191485	1	1	Manifold Assy.
4	5120943	3	4	Screw	14	5223642	1	1	Suction Line
5	5213351	1	1	Tube Holddown Clip	15	5223227	1	-	Coil Assy.
	5104702	2	2	Rivet		5223228	-	1	Coil Assy.
6	5223215	1	-	Heat Exchanger	16	5183536	2	2	Screw
	5223216	-	1	Heat Exchanger	17	5195244	1	1	LH Rear Coil Close-off
7	5186500	1	-	Front Coil Close-off		5195243	1	1	RH Rear Coil Close-off
	5186501	-	1	Front Coil Close-off	18	5211701	1	1	Manifold Assy.
8	5221317	1	1	Inlet Tubing to Heat Exchanger	19	5186502	1	-	Rear Coil Close-off
						5186503	-	1	Rear Coil Close-off
9	5215132	1	1	Mounting Bracket	20	5182036	1	1	LH End Duct Close-off
	5183536	8	8	Screw		5182035	1	1	RH End Duct Close-off
	5237789	1	1	Thermostat	21	5120943	4	4	Screw
10	5223354	1	1	LH Fan Panel Close-off (HG only)					
	5223353	1	1	RH Fan Panel Close-off (HG only)					
11	5624902	1	1	Access Valve					
12	5233902	1	1	Kit, Check Valve					
					Options				
					*	5221322	1	1	Hand Valve Assy.
						5620001	1	1	Hand Valve



**OPTIONAL CASE ACCESSORIES
SHELF SCREENS, SHELF DIVIDERS AND NITE COVER**

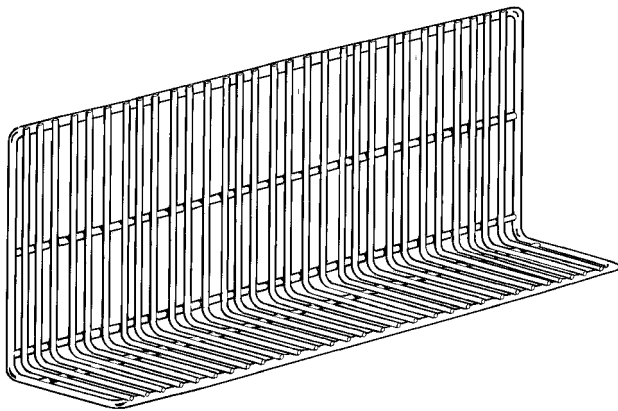


Standard Adjustable Center Screen

Item	Part No.	Quantity		Description
		8'	12'	
*	5028128	1	-	Flat Adj Screen Set
*	5028129	-	1	Flat Adj Screen Set
-	5606170	4	6	Flat Adjustable Screen

Optional Nite Cover

Item	Part No.	Quantity		Description
		8'	12'	
-	5208185	2	3	Nite Cover

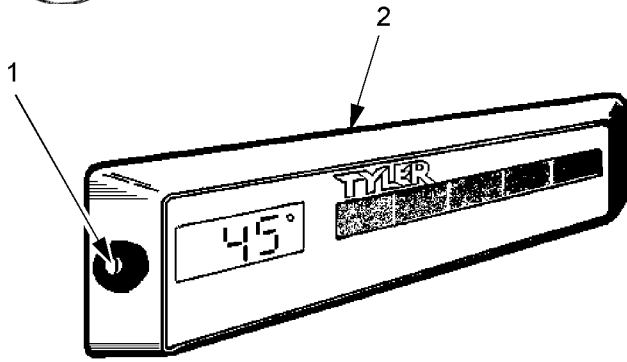


Optional "L" Wire Divider

Item	Part No.	Quantity		Description
		8'	12'	
*	5208304	1	-	"L" Wire Divider Set
*	5208305	-	1	"L" Wire Divider Set
-	5208276	4	6	"L" Wire Divider

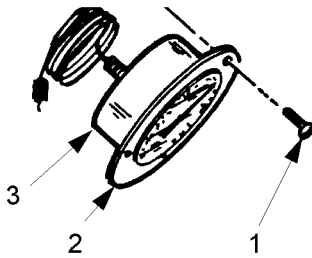


OPTIONAL CASE ACCESSORIES - (CONT'D) THERMOMETERS



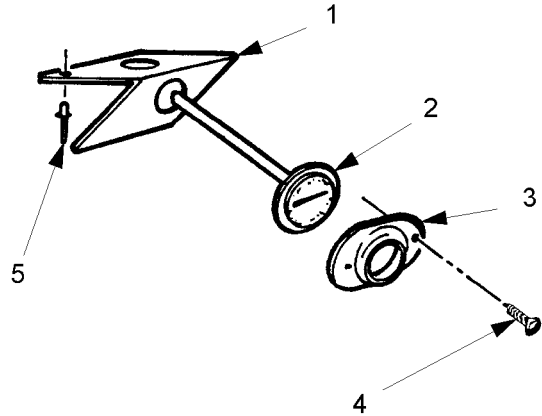
Digital Solar Thermometer

Item	Part No.	Qty.	Description
*	5230914	1	Digital Thermometer Assy., F°
*	5991560	1	Digital Thermometer Assy., C°
1	5230884	2	Screw
2	5239500	1	Digital Thermometer, F°
	5239501	1	Digital Thermometer, C°



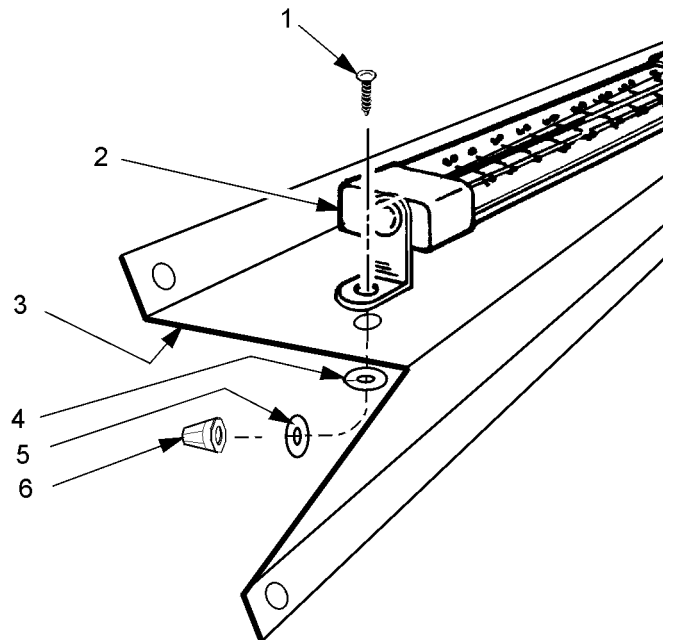
2" Dial Thermometers

Item	Part No.	Qty.	Description
*	5080042	1	Thermometer Assy.
1	5199134	3	Screw
2	5203579	1	Collar
3	5204006	1	2" Dial Thermometer
*	5189909	1	LWR FRT Thermometer Assy.
1	5199134	3	Screw
3	5204006	1	2" Dial Thermometer



1" Dial Thermometer, Return Air

Item	Part No.	Qty.	Description
*	5028989	1	Thermometer Assy
1	5204471	1	Thermometer Support
2	5203829	1	1" Dial Thermometer
3	----	1	Mounting Ring (furnished with thermometer)
4	5319883	2	Screw
5	5104702	2	Rivet



Standard Case Thermometer

Item	Part No.	Qty.	Description
*	9311587	1	Thermometer Assembly
1	9311125	2	Screw
1	9311125	2	Screw
2	5967100	1	Thermometer
3	9311239	1	Bracket
4	5103997	2	Lock Washer
5	5243597	2	Flat Washer
6	5223244	2	Acorn Nut