

SPECIFICATION SHEET

**FIXED CURVED GLASS GRAVITY SERVICE WEDGE MERCHANDISERS
FIXED CURVED GLASS BLOWER SERVICE WEDGE MERCHANDISERS**

Refrigeration Data:

MODEL	CASE LENGTH	CASE USAGE	CAPACITY (BTUH)		EVAPORATOR (°F)	UNIT SIZING (°F)	DISCHARGE AIR		AVG. REF. CHARGE (LBS/CS)
			PARALLEL	CONVENTIONAL			TEMPERATURE (°F)	VELOCITY (FPM)	
NLM15OS	29-1/4"	GRAVITY-MEAT	305*	330*	+13**	+11	N/A	N/A	----
NLM30OS	33-5/8"	GRAVITY-MEAT	402*	435*	+13**	+11	N/A	N/A	----
NLM45IS	44"	GRAVITY-MEAT	419*	454*	+13**	+11	N/A	N/A	----
NLM45OS	50"	GRAVITY-MEAT	549*	594*	+13**	+11	N/A	N/A	----
NLM90OS	77"	GRAVITY-MEAT	664*	719*	+13**	+11	N/A	N/A	----
NFM45IS	44"	GRAVITY-MEAT	419*	454*	+13**	+11	N/A	N/A	----
NFM45OS	50"	GRAVITY-MEAT	549*	594*	+13**	+11	N/A	N/A	----
NLD45IS	44"	FORCED AIR-DELI	687*	710*	+15**	+13	----	-----**	----
NLD45OS	50"	FORCED AIR-DELI	776*	802*	+15**	+13	----	-----**	----
NLD90IS	71"	FORCED AIR-DELI	817*	844*	+15**	+13	34	310***	----
NLD90OS	77"	FORCED AIR-DELI	865*	894*	+15**	+13	31	617***	----
NFD45IS	44"	FORCED AIR-DELI	687*	710*	+15**	+13	----	-----**	----
NFD45OS	50"	FORCED AIR-DELI	894*	923*	+15**	+13	----	-----**	----

* Capacity data listed for cases with 1 row of compact top lights. For sizing all refrigeration equipment other than TYLER, use conventional BTUH values.
 ** Evaporator temperature is based on the saturated pressure leaving the case.
 *** Air velocity measured 1 hour after defrost at the vertical part of the Rear Duct.

FOR SPECIFIC COMPRESSOR SIZING INFORMATION, REFER TO TYLER APPLICATIONS FOR RACK SYSTEM COMPRESSORS AND/OR THE COMPRESSOR MANUFACTURERS FOR SINGLE COMPRESSORS. FOR LINE SIZING INFORMATION, REFER TO THE MISCELLANEOUS SECTION "BUFF" IN THE TYLER SPECIFICATION GUIDE.

Electrical Data:

Fans and Heaters (120 Volt)

MODEL	FANS / CASE	TOTAL STANDARD FANS		TOTAL ECM FANS		TOTAL ANTI-SWEATS	
		AMPS	WATTS	AMPS	WATTS	OUTER GLASS SUPPORT AMPS	WATTS
NLM Wedges - ALL	N/A	N/A	N/A	N/A	N/A	N/A	N/A
NFM Wedges - ALL	N/A	N/A	N/A	N/A	N/A	N/A	N/A
NLD Wedges - ALL	1	0.34	30.2	-----	-----	0.60	72.0
NFD Wedges - ALL	1	0.34	30.2	-----	-----	0.60	72.0

T8 Lighting with Electronic Ballasts (120 Volt)

MODEL	TOP LIGHTS - PER ROW				MAXIMUM LIGHTING *	
	AMPS (1 ROW) (2 ROWS)		WATTS (1 ROW) (2 ROWS)		AMPS (1 or 2 ROWS)	WATTS (1 or 2 ROWS)
NLM15OS	0.29	N/A	34.8	N/A	0.29	34.8
NLD30IS	0.29	N/A	34.8	N/A	0.29	34.8
NLM45IS / NFM45IS	0.29	N/A	34.8	N/A	0.29	34.8
NLD45IS / NFD45IS	0.29	N/A	34.8	N/A	0.29	34.8
NLD90IS	0.54	N/A	64.8	N/A	0.54	64.8
NLM45OS / NFM45OS	N/A	0.40	N/A	48.0	0.40	48.0
NLD45OS / NFD45OS	N/A	0.34	N/A	40.8	0.34	40.8
NLM90OS / NLD90OS	N/A	0.54	N/A	64.8	0.54	64.8

* 1 row of compact top lights for inside corner cases and 2 rows of compact top lights for outside corner cases.

Defrost Data:

DEFROST TYPE	DEFROSTS PER DAY	DURATION TIME (MIN)	TERMINATION TEMP. (°F)	BACKUP PRESSURE SETTINGS *		EPR SETTINGS **		DEFROST WATER (LB / DAY)			
				CUT IN	CUT OUT	R22 (PSIG)	R404A (PSIG)	45IS	45OS	90IS	90OS
TIME OFF - NLM / NFM	1	110	N/A	34# @ R22	24# @ R22	36	47	----	----	----	----
TIME OFF - NLD / NFD	1	46	N/A	34# @ R22	24# @ R22	36	47	----	----	1.1	1.8

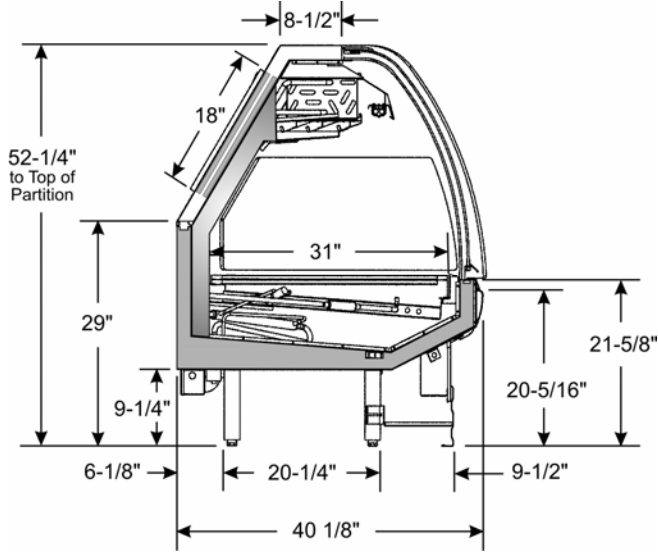
* Used with electronic thermostat and EPR control. ** Set EPR to give this pressure at the case.
 An evaporator Pressure Regulator should be installed on each system to aid in temperature control. Set the EPR for 36 PSIG (R22).
 Pressure control settings shown in the above table are for backup purposes only. The actual temperature control should be set by the thermostat.
 NLMOS, NFMOS, NLMIS or NFMIS setting for this case = CUT IN @ 17°F and CUT OUT @ 15°F. NLDOS or NFDOS setting for this case = CUT IN @ 34°F and CUT OUT @ 28°F. NLDIS or NFDIS setting for this case = CUT IN @ 41°F and CUT OUT @ 26°F.

The information contained herein is based on technical analysis and/or tests performed in a controlled lab environment that are consistent with industry practices, and is intended as a reference for system sizing and configuration purposes only and for use by persons having technical skill at their own discretion and risk. Conditions of use are outside of Tyler's control and we do not assume and hereby disclaim any liability for results obtained or damages incurred through application of or reliance on the data presented, including but not limited to specific energy consumption with any particular model or installed application. SPECIFICATIONS ARE SUBJECT TO CHANGE WITHOUT NOTICE.

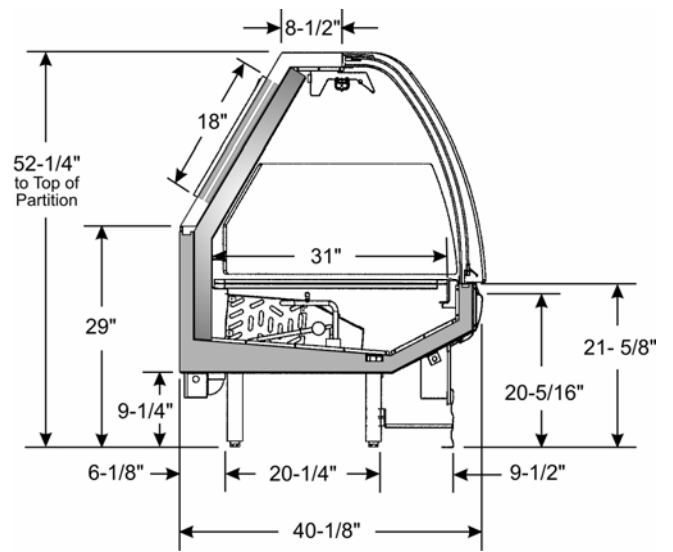
NSF CERTIFIED to meet ANSI/NSF – 7.

CASE BTUH REQUIREMENTS are calculated to produce approximately the indicated performance with absolute maximum operating ambient limits of 75°F & 55RH.

NLM / NFM WEDGE CROSS SECTION

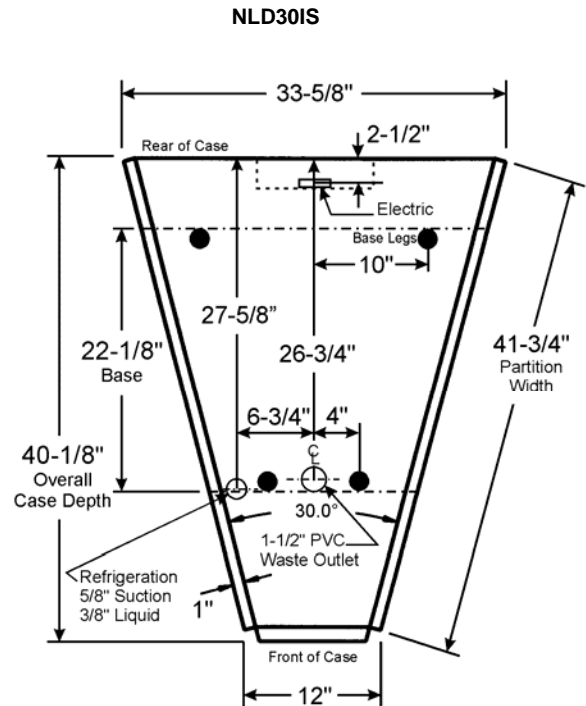
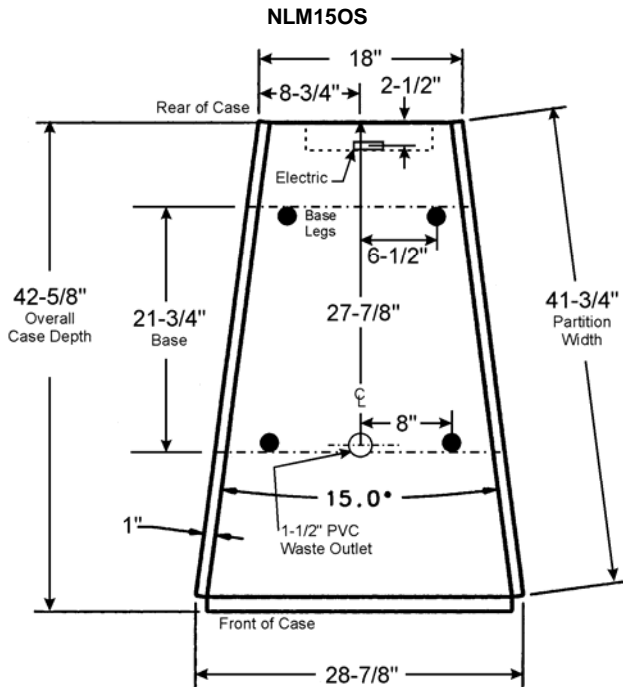


NLD / NFD WEDGE CROSS SECTION

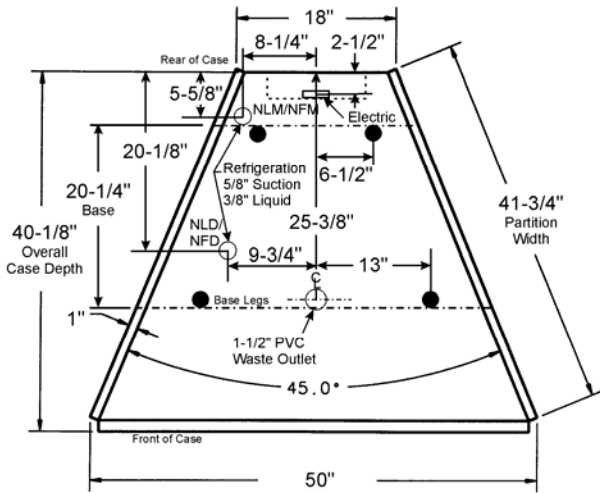


These drawings show the dimensions for the NLM450S, NFM450S, NLD450S or NFD450S. Width dimensions will vary on all other wedge cases. See floor plan views for specific width dimensions.

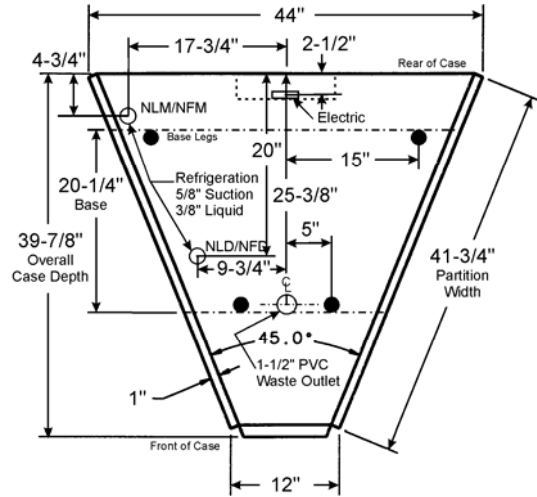
SERVICE WEDGE FLOOR PLANS



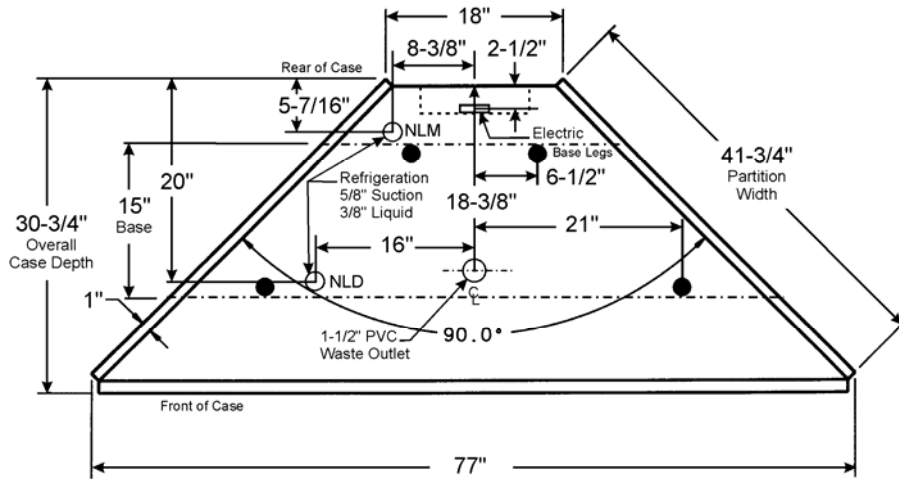
NL(M/D)45OS / NF(M/D)45OS



NL(M/D)45IS / NF(M/D)45IS



NL(M/D)90OS



NLD90IS

