

NFF Fixed Curved Glass



A lineup of two 8' NFF merchandisers



NFF fixed curved glass seafood service merchandisers provide gravity-coil cooling and ice trays to keep seafood products at their freshest. A single sealed triple-pane front glass offers seamless front viewing while increasing the case's insulating factor, providing an energy-efficient alternative to lift glass versions.

**Features & Benefits**

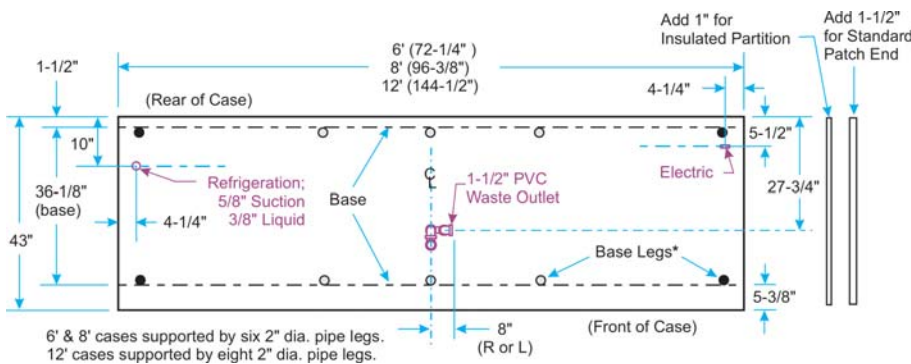
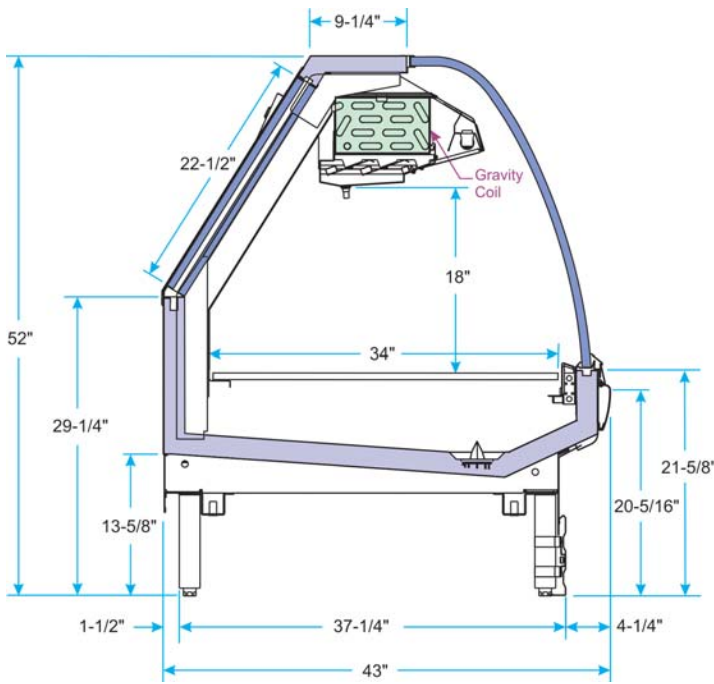
- ♦ Energy-efficient copper tube and aluminum fin coils.
- ♦ Increased insulation factor with triple-pane sealed front glass.
- ♦ Front glass is seamless across the case length for better viewing.
- ♦ Single row of T8 top lights for increased product illumination.
- ♦ 22-1/2" clear sliding rear doors for easy access to interior.
- ♦ Easily removable interior components for quicker cleaning.
- ♦ Pipe leg base and removable kickplate facilitate cleaning under the case.
- ♦ Ice trays keep seafood fresh and enhance product presentation.
- ♦ Off-cycle defrost.

**Options**

- ♦ Glass windows on patch end panels.
- ♦ Scale shelves.

Specifications are subject to engineering changes without notice.

Model	Case Length	Description	Capacity in Cubic Feet
NFF	6' • 8' • 12'	Fixed Curved Front Glass with std top gravity coil	21.9 • 29.3 • 43.8



**Optional Accessories**



Scale Shelves add more functionality to the work area.