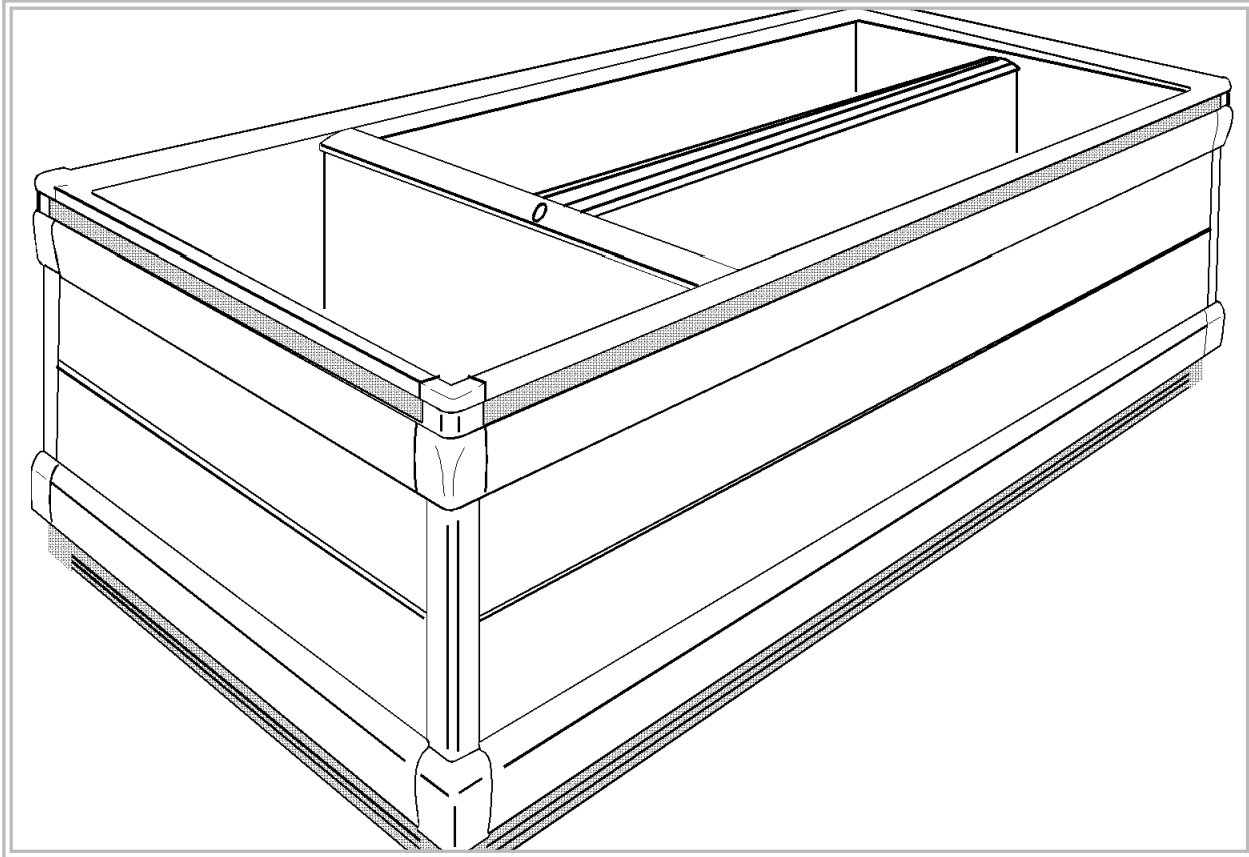


Replacement Parts ^{series} Advantage



Jumbo Island Merchandiser

Production began January 8, 2001

9000648	NFJE	Low-Temp	Jumbo Island End FF Merchandiser
9000649	NCJE	Low-Temp	Jumbo Island End IC Merchandiser
9000650	NTJ8	Split-Temp	8' Jumbo Island FF/IC Merchandiser
9000651	NTJ12	Split-Temp	12' Jumbo Island FF/IC Merchandiser
9000652	NCJ8	Low-Temp	8' Jumbo Island IC Merchandiser
9000653	NCJ12	Low-Temp	12' Jumbo Island IC Merchandiser
9000654	NFJ8	Low-Temp	8' Jumbo Island FF Merchandiser
9000655	NFJ12	Low-Temp	12' Jumbo Island FF Merchandiser

NFJ • NCJ • NTJ
NFJE • NCJE



Issue date: MARCH 2001

Replaces issue:

Part number: 9037196

Revision:

Tyler Refrigeration Corporation Niles, MI 49120
Parts information subject to change without notice
Printed in U.S.A.

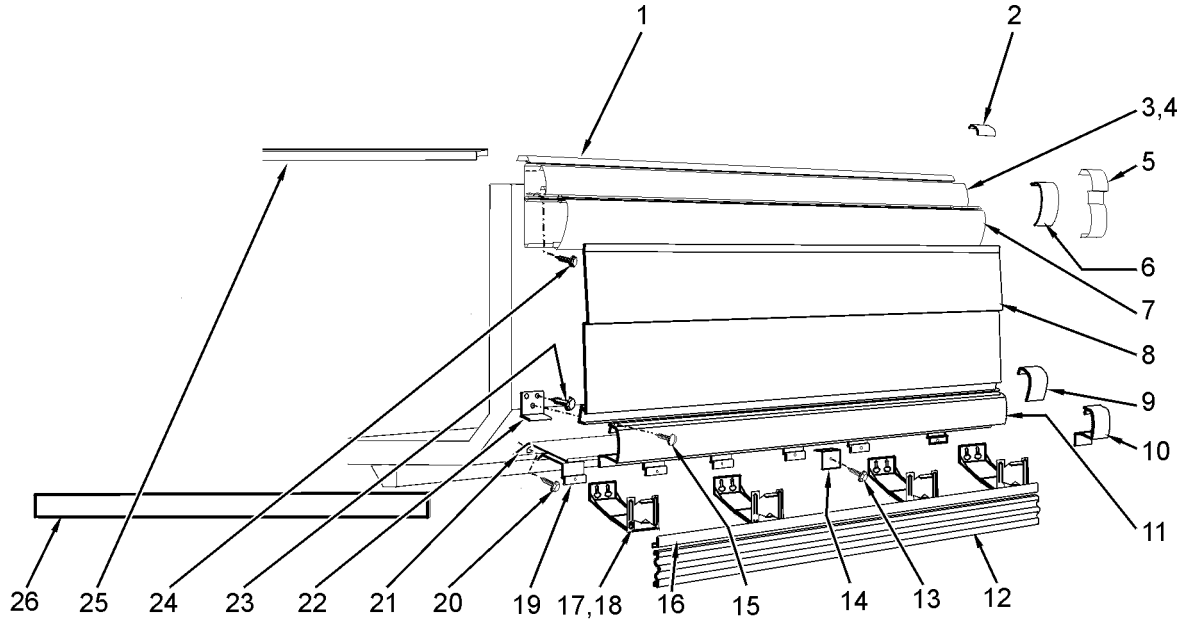


CONTENTS

	<u>Page</u>
Cladding, Covers and Trims	C1-C9
Structural Components	
Ducts and Panels - NFJ/NCJ/NTJ	S1, S2
Ducts and Panels - NFJE/NCJE	S1, S2
Center Partition - NFJ/NCJ/NTJ	S3
Wrap Ends, Patch Ends, Partitions and Plexiglas Dividers	
Wrap End	S4, S5
Solid Patch End	S6
1" Solid Partition	S7
Inside Plexiglas Divider	S8
Electrical System Components	
Wiring Harnesses	
Wiring and Components - NFJ/NCJ/NTJ	E1
Wiring and Components - NFJE/NCJE	E2
Fan Systems - NFJ/NCJ/NTJ	E3
Fan Systems - NFJE/NCJE	E4
Optional Superstructure Components	
Superstructure Uprights	E5, E6
Superstructure Shelving Options	E7, E8
Shelf Light Assemblies	E9
Refrigeration System Components	
Coil Assemblies - NFJ/NCJ/NTJ/NFJE/NCJE	R1
Electric Defrost and Tubing - NFJ/NCJ/NTJ/NFJE/NCJE	R2
Optional Hot Gas Defrost - NFJ/NCJ/NTJ	R3
Optional Hot Gas Defrost - NFJE/NCJE	R4
Optional Case Accessories	
Shelf Screens, Shelf Bin, Bottom Basket, Lower Tray and Nite Cover	A1
Shelf and Bin Dividers	A2
Thermometers	A3
Thermostat	A4



CLADDING, COVERS AND TRIMS
NFJ/NCJ/NTJ - 8'



8' Merchandiser

Item	Part No.	Qty.	Description	Item	Part No.	Qty.	Description
1	+	2	Bumper Retainer	14	9023841	4	Raceway Cover Retainer
2	9025316	2	Bumper Rtnr./Handrail Backer	15	5183536	16	Screw
3	9023798	2	Color Band, Painted	16	+	1	Kickplate Extension [OPTL]
4	9040223	2	Color Band Backer, Painted	17	9042415	6	Kickplate Support Assy.
5	+	2	Bumper End Trim	18	9025833	12	Shoulder Screw
6	+	2	Bumper Backer	19	9041465	12	Raceway Support
7	+	2	Bumper	20	5183536	18	Screw
8	9041965	2	Front Cladding, Painted	21	9300218	2	Raceway
9	+	2	Raceway Cover Backer	22	9300197	8	Cladding Retainer
10	+	2	Raceway Cover End Trim	23	5183536	8	Screw
11	+	2	Raceway Cover	24	9025833	16	Shoulder Screw
12	+	2	Kickplate	25	5196166	2	Horizontal End Trim
	9041790	2	Kickplate Backer	26	9027925	1	LH End Close-off
13	5183536	8	Screw		9027926	1	RH End Close-off

+ See pages C2 and C3 for parts breakdown per color.



CLADDING, COVERS AND TRIMS - (CONT'D)

NFJ/NCJ/NTJ - 8'

**Bumper Retainer [Item 1]
Without Partition (96.062"):**

Part Number	Color
9025491	White
9025504	Bone White
9025517	Misty Gray
9025530	Pearl
9025543	Oatmeal
9025557	Soft Sand
9025570	Chromium
9025583	Cool Gray
9025596	Oyster
9025609	Black
9028935	Steel Gray
9031792	Chocolate
9031819	Mocha
9031873	Stone

With Partition (97.062"):

Part Number	Color
9026949	White
9026950	Bone White
9026951	Misty Gray
9026952	Pearl
9026953	Oatmeal
9026954	Soft Sand
9026955	Chromium
9026956	Cool Gray
9026957	Oyster
9026958	Black
9028937	Steel Gray
9031794	Chocolate
9031821	Mocha
9031875	Stone

Bumper Backer [Item 6]

Part Number	Color
9025023	White
9025028	Bone White
9025035	Misty Gray
9025038	Pearl
9025041	Oatmeal
9025253	Soft Sand
9025258	Chromium
9025265	Cool Gray
9025268	Oyster
9025271	Black
9028883	Steel Gray
9031884	Chocolate
9031885	Mocha
9031886	Stone

Bumper End Trim [Item 5]

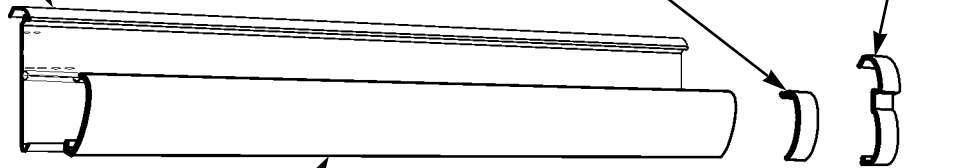
Part Number	Color
9027220	White
9027221	Bone White
9027222	Misty Gray
9027223	Pearl
9027224	Oatmeal
9027225	Soft Sand
9027226	Chromium
9027227	Cool Gray
9027228	Oyster
9027229	Black
9028882	Steel Gray
9034333	Chocolate
9034334	Mocha
9034335	Stone
9023195	RH Bumper Pusher Bracket
9028082	LH Bumper Pusher Bracket
5053985	Screw (2 per bracket)

**Bumper [Item 7]
Without Partition (96.062"):**

Part Number	Color
9025036	White
9025266	Bone White
9025287	Misty Gray
9025308	Pearl
9025329	Oatmeal
9025350	Soft Sand
9025371	Chromium
9025392	Cool Gray
9025413	Oyster
9025434	Black
9028905	Steel Gray
9031687	Chocolate
9031724	Mocha
9031761	Stone

With Partition (97.062"):

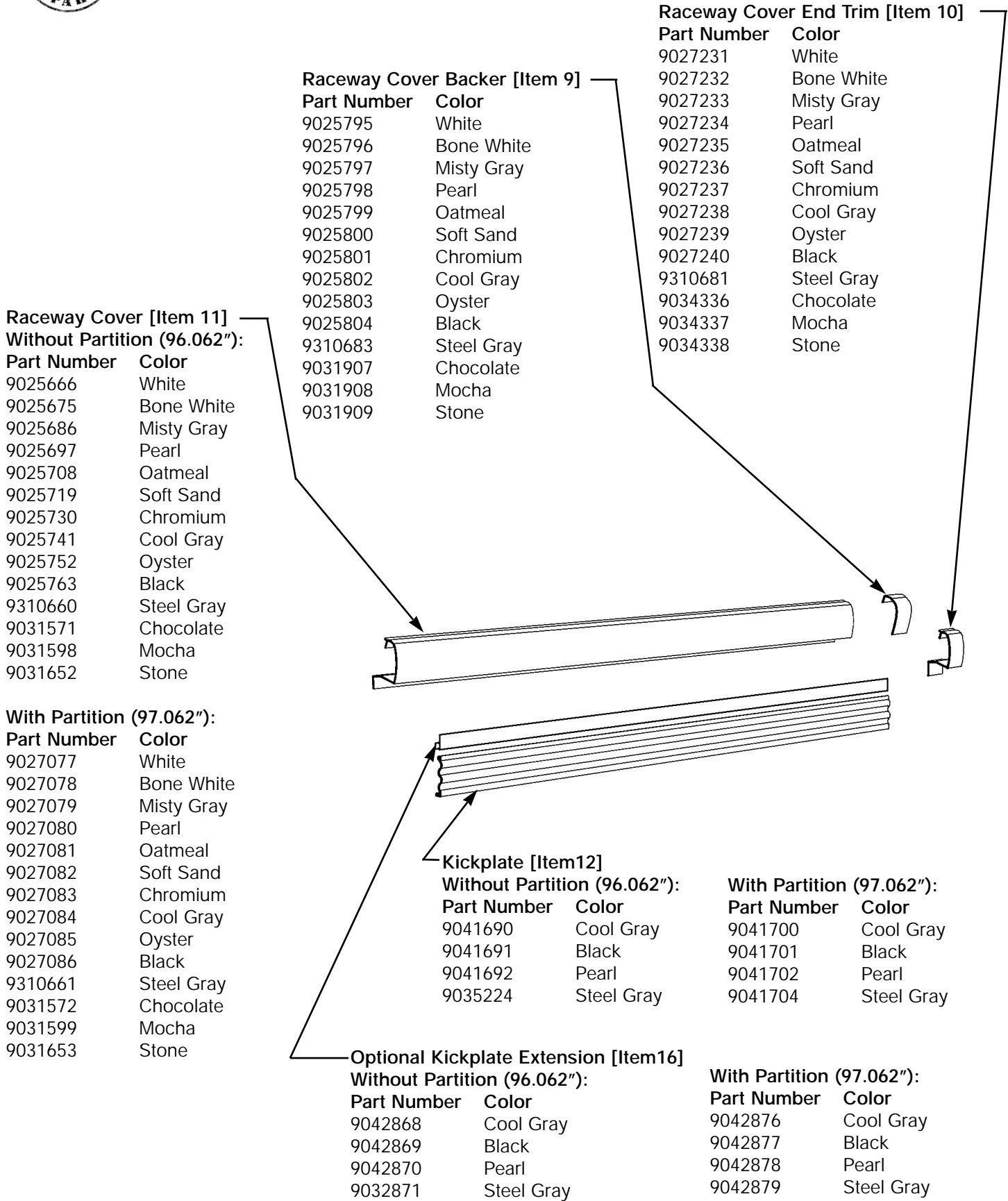
Part Number	Color
9027179	White
9027180	Bone White
9027181	Misty Gray
9027182	Pearl
9027183	Oatmeal
9027184	Soft Sand
9027185	Chromium
9027186	Cool Gray
9027187	Oyster
9027188	Black
9028907	Steel Gray
9031689	Chocolate
9031726	Mocha
9031763	Stone





CLADDING, COVERS AND TRIMS - (CONT'D)

NFJ/NCJ/NTJ - 8'



Raceway Cover Backer [Item 9]

Part Number	Color
9025795	White
9025796	Bone White
9025797	Misty Gray
9025798	Pearl
9025799	Oatmeal
9025800	Soft Sand
9025801	Chromium
9025802	Cool Gray
9025803	Oyster
9025804	Black
9310683	Steel Gray
9031907	Chocolate
9031908	Mocha
9031909	Stone

Raceway Cover End Trim [Item 10]

Part Number	Color
9027231	White
9027232	Bone White
9027233	Misty Gray
9027234	Pearl
9027235	Oatmeal
9027236	Soft Sand
9027237	Chromium
9027238	Cool Gray
9027239	Oyster
9027240	Black
9310681	Steel Gray
9034336	Chocolate
9034337	Mocha
9034338	Stone

Raceway Cover [Item 11]

Without Partition (96.062"):

Part Number	Color
9025666	White
9025675	Bone White
9025686	Misty Gray
9025697	Pearl
9025708	Oatmeal
9025719	Soft Sand
9025730	Chromium
9025741	Cool Gray
9025752	Oyster
9025763	Black
9310660	Steel Gray
9031571	Chocolate
9031598	Mocha
9031652	Stone

With Partition (97.062"):

Part Number	Color
9027077	White
9027078	Bone White
9027079	Misty Gray
9027080	Pearl
9027081	Oatmeal
9027082	Soft Sand
9027083	Chromium
9027084	Cool Gray
9027085	Oyster
9027086	Black
9310661	Steel Gray
9031572	Chocolate
9031599	Mocha
9031653	Stone

Kickplate [Item 12]

Without Partition (96.062"):

Part Number	Color
9041690	Cool Gray
9041691	Black
9041692	Pearl
9035224	Steel Gray

With Partition (97.062"):

Part Number	Color
9041700	Cool Gray
9041701	Black
9041702	Pearl
9041704	Steel Gray

Optional Kickplate Extension [Item 16]

Without Partition (96.062"):

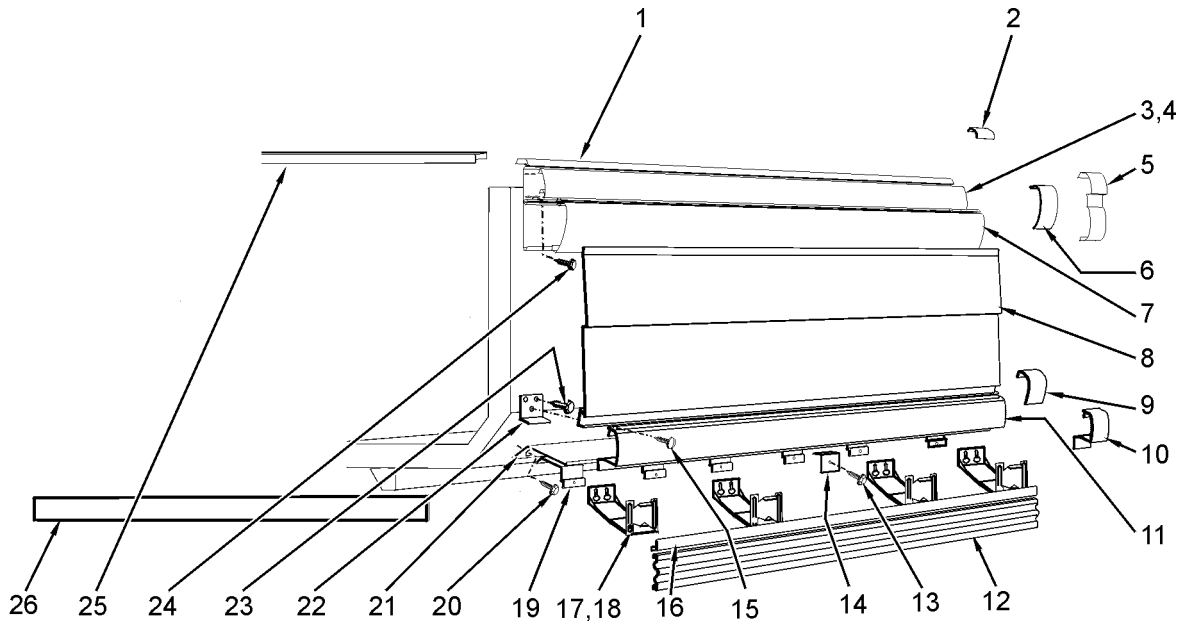
Part Number	Color
9042868	Cool Gray
9042869	Black
9042870	Pearl
9032871	Steel Gray

With Partition (97.062"):

Part Number	Color
9042876	Cool Gray
9042877	Black
9042878	Pearl
9042879	Steel Gray



CLADDING, COVERS AND TRIMS - (CONT'D)
NFJ/NCJ/NTJ - 12'



12' Merchandiser

Item	Part No.	Qty.	Description	Item	Part No.	Qty.	Description
1	+	2	Bumper Retainer	14	9023841	6	Raceway Cover Retainer
2	9025316	2	Bumper Rtnr./Handrail Backer	15	5183536	16	Screw
3	9023800	2	Color Band, Painted	16	+	1	Kickplate Extension [OPTL]
4	9040223	2	Color Band Backer, Painted	17	9042415	8	Kickplate Support Assy.
5	+	2	Bumper End Trim	18	9025833	16	Shoulder Screw
6	+	2	Bumper Backer	19	9041465	16	Raceway Support
7	+	2	Bumper	20	5183536	18	Screw
8	9041966	2	Front Cladding, Painted	21	9300219	2	Raceway
9	+	2	Raceway Cover Backer	22	9300197	8	Cladding Retainer
10	+	2	Raceway Cover End Trim	23	5183536	8	Screw
11	+	2	Raceway Cover	24	9025833	20	Shoulder Screw
12	+	2	Kickplate	25	5196166	2	Horizontal End Trim
	9041790	2	Kickplate Backer	26	9027925	1	LH End Close-off
13	5183536	10	Screw		9027926	1	RH End Close-off

+ See pages C5 and C6 for parts breakdown per color.



CLADDING, COVERS AND TRIMS - (CONT'D)

NFJ/NCJ/NTJ - 12'

**Bumper Retainer [Item 1]
Without Partition (144.062"):**

Part Number	Color
9025493	White
9025506	Bone White
9025519	Misty Gray
9025532	Pearl
9025545	Oatmeal
9025559	Soft Sand
9025572	Chromium
9025585	Cool Gray
9025598	Oyster
9025611	Black
9028940	Steel Gray
9031797	Chocolate
9031824	Mocha
9031878	Stone

With Partition (145.062"):

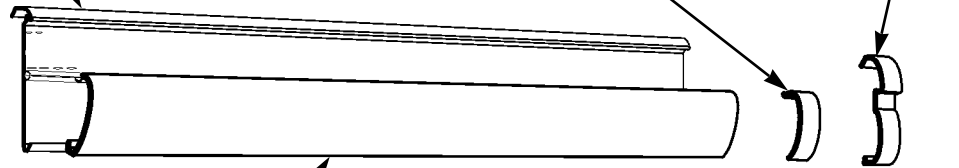
Part Number	Color
9026969	White
9026970	Bone White
9026971	Misty Gray
9026972	Pearl
9026973	Oatmeal
9026974	Soft Sand
9026975	Chromium
9026976	Cool Gray
9026977	Oyster
9026978	Black
9028942	Steel Gray
9031799	Chocolate
9031826	Mocha
9031880	Stone

Bumper Backer [Item 6]

Part Number	Color
9025023	White
9025028	Bone White
9025035	Misty Gray
9025038	Pearl
9025041	Oatmeal
9025253	Soft Sand
9025258	Chromium
9025265	Cool Gray
9025268	Oyster
9025271	Black
9028883	Steel Gray
9031884	Chocolate
9031885	Mocha
9031886	Stone

Bumper End Trim [Item 5]

Part Number	Color
9027220	White
9027221	Bone White
9027222	Misty Gray
9027223	Pearl
9027224	Oatmeal
9027225	Soft Sand
9027226	Chromium
9027227	Cool Gray
9027228	Oyster
9027229	Black
9028882	Steel Gray
9034333	Chocolate
9034334	Mocha
9034335	Stone
9023195	RH Bumper Pusher Bracket
9028082	LH Bumper Pusher Bracket
5053985	Screw (2 per bracket)



Bumper [Item 7]

Without Partition (144.062"):

Part Number	Color
9025039	White
9025269	Bone White
9025290	Misty Gray
9025311	Pearl
9025332	Oatmeal
9025353	Soft Sand
9025374	Chromium
9025395	Cool Gray
9025416	Oyster
9025437	Black
9028912	Steel Gray
9031695	Chocolate
9031732	Mocha
9031769	Stone

With Partition (145.062"):

Part Number	Color
9027199	White
9027200	Bone White
9027201	Misty Gray
9027202	Pearl
9027203	Oatmeal
9027204	Soft Sand
9027205	Chromium
9027206	Cool Gray
9027207	Oyster
9027208	Black
9028914	Steel Gray
9031697	Chocolate
9031734	Mocha
9031771	Stone



CLADDING, COVERS AND TRIMS - (CONT'D)

NFJ/NCJ/NTF - 12'

**Raceway Cover [Item 11]
Without Partition (144.062"):**

Part Number	Color
9025668	White
9025677	Bone White
9025688	Misty Gray
9025699	Pearl
9025710	Oatmeal
9025721	Soft Sand
9025732	Chromium
9025743	Cool Gray
9025754	Oyster
9025765	Black
9310666	Steel Gray
9031577	Chocolate
9031604	Mocha
9031658	Stone

With Partition (145.062"):

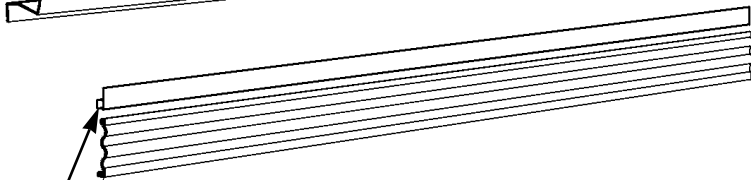
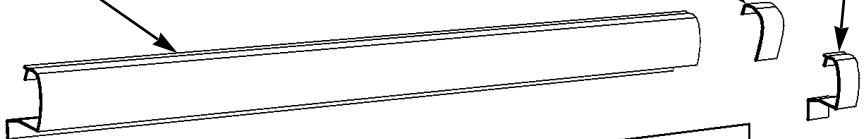
Part Number	Color
9027098	White
9027099	Bone White
9027100	Misty Gray
9027101	Pearl
9027102	Oatmeal
9027103	Soft Sand
9027104	Chromium
9027105	Cool Gray
9027106	Oyster
9027107	Black
9310667	Steel Gray
9031578	Chocolate
9031605	Mocha
9031659	Stone

Raceway Cover Backer [Item 9]

Part Number	Color
9025795	White
9025796	Bone White
9025797	Misty Gray
9025798	Pearl
9025799	Oatmeal
9025800	Soft Sand
9025801	Chromium
9025802	Cool Gray
9025803	Oyster
9025804	Black
9310683	Steel Gray
9031907	Chocolate
9031908	Mocha
9031909	Stone

Raceway Cover End Trim [Item 10]

Part Number	Color
9027231	White
9027232	Bone White
9027233	Misty Gray
9027234	Pearl
9027235	Oatmeal
9027236	Soft Sand
9027237	Chromium
9027238	Cool Gray
9027239	Oyster
9027240	Black
9310681	Steel Gray
9034336	Chocolate
9034337	Mocha
9034338	Stone



Kickplate [Item 12]

Without Partition (144.062"):

Part Number	Color
9041730	Cool Gray
9041731	Black
9041732	Pearl
9041734	Steel Gray

With Partition (145.062"):

Part Number	Color
9041740	Cool Gray
9041741	Black
9041742	Pearl
9041744	Steel Gray

Optional Kickplate Extension [Item 16]

Without Partition (144.062"):

Part Number	Color
9042896	Cool Gray
9042897	Black
9042898	Pearl
9042899	Steel Gray

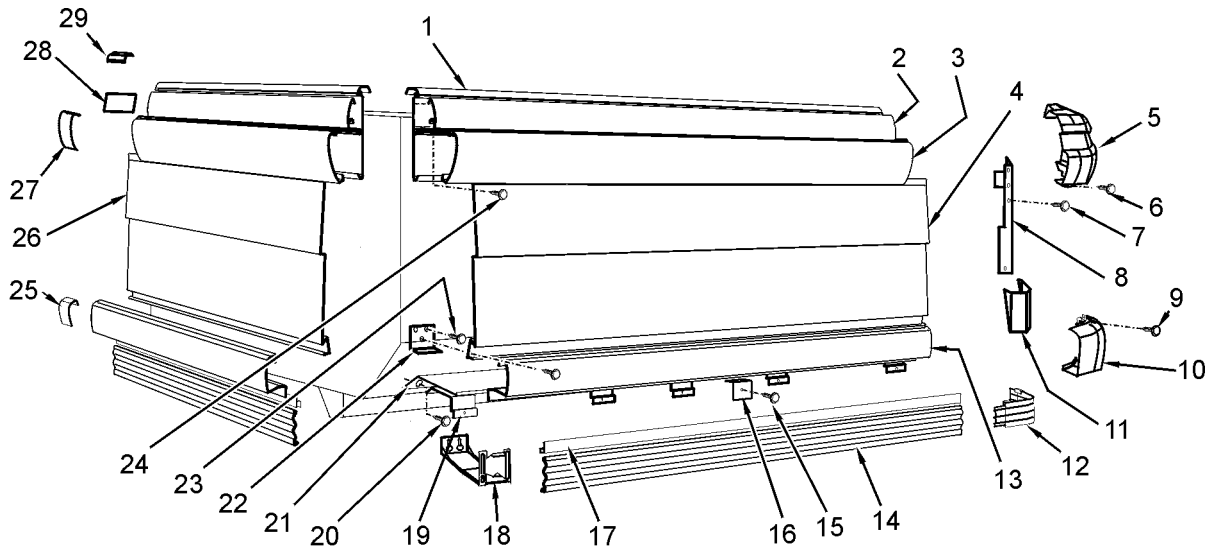
With Partition (145.062"):

Part Number	Color
9042904	Cool Gray
9042905	Black
9042906	Pearl
9042907	Steel Gray



CLADDING, COVERS AND TRIMS - (CONT'D)

NFJE/NCJE



End Merchandiser

Item	Part No.	Qty.	Description	Item	Part No.	Qty.	Description
1	+	1	Front Bumper Retainer	19	9025833	12	Shoulder Screw
	+	2	Side Bumper Retainer	20	9041465	4	Front Raceway Support
2	9023795	1	Front Color Band-72 1/16"		9041465	2	Side Raceway Support
	9023789	2	Side Color Band-37 3/4"	21	5183536	16	Screw
3	+	1	Front Bumper		9300166	1	Front Raceway
	+	2	Side Bumper		9300267	1	RH Side Raceway
4	9041917	1	Front Cladding		9300268	1	LH Side Raceway
5	+	2	Upper Corner Trim		5183536	8	Screw
6	9025833	2	Shoulder Screw	22	9300197	6	Cladding Retainer (2 per side)
7	5048626	4	Screw	23	5183536	18	Screw
8	9041336	2	Corner Cladding Trim	24	9025833	9	Shoulder Screw
9	9025833	2	Shoulder Screw	25	+	2	Raceway Cover Backer
10	+	2	Raceway Corner Trim	26	9041575	1	LH Side Cladding
11	9041334	1	Corner Cladding Support		9041576	1	RH Side Cladding
12	+	2	Kickplate Corner Trim	27	+	2	Bumper Backer
13	+	1	Front Raceway Cover	28	9040223	2	Color Band Backer
	+	2	Side Raceway Cover	29	9025316	2	Bumper Rtnr./Handrail Backer
14	+	1	Front Kickplate				
	+	2	Side Kickplate				
15	5183536	18	Screw				
16	9023841	6	Raceway Cover Retainer				
17	+	1	Kickplate Extension [OPTL]				
18	9042415	6	Kickplate Support Assy.				

+ See pages C8 and C9 for parts breakdown per color.



CLADDING, COVERS AND TRIMS - (CONT'D)

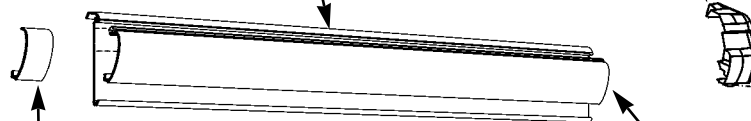
NFJE/NCJE

Front/Side Bumper Retainer [Item 1]

Front (70.312")	Side (36.844")	
Part Number	Part Number	Color
9025489	9025483	White
9025502	9025496	Bone White
9025515	9025509	Misty Gray
9025528	9025522	Pearl
9025541	9025535	Oatmeal
9025554	9025548	Soft Sand
9025568	9025562	Chromium
9025581	9025575	Cool Gray
9025594	9025588	Oyster
9025607	9025601	Black
9028929	9028921	Steel Gray
9031786	9031778	Chocolate
9031813	9031805	Mocha
9031867	9031859	Stone

Upper Corner Trim [Item 5]

Part Number	Color
9025465	White
9026186	Bone White
9026187	Misty Gray
9026188	Pearl
9026189	Oatmeal
9026190	Soft Sand
9026191	Chromium
9026192	Cool Gray
9026193	Oyster
9026194	Black
9028881	Steel Gray
9031888	Chocolate
9031889	Mocha
9031890	Stone



Bumper Backer [Item 26]

Part Number	Color
9025023	White
9025028	Bone White
9025035	Misty Gray
9025038	Pearl
9025041	Oatmeal
9025253	Soft Sand
9025258	Chromium
9025265	Cool Gray
9025268	Oyster
9025271	Black
9028883	Steel Gray
9031884	Chocolate
9031885	Mocha
9031886	Stone

Front/Side Bumper [Item 3]

Front (70.312")	Side (36.844")	
Part Number	Part Number	Color
9025032	9025022	White
9025262	9025252	Bone White
9025283	9025273	Misty Gray
9025304	9025294	Pearl
9025325	9025315	Oatmeal
9025346	9025336	Soft Sand
9025367	9025357	Chromium
9025388	9025378	Cool Gray
9025409	9025399	Oyster
9025430	9025420	Black
9028897	9028886	Steel Gray
9031678	9031667	Chocolate
9031715	9031704	Mocha
9031752	9031741	Stone



CLADDING, COVERS AND TRIMS - (CONT'D)

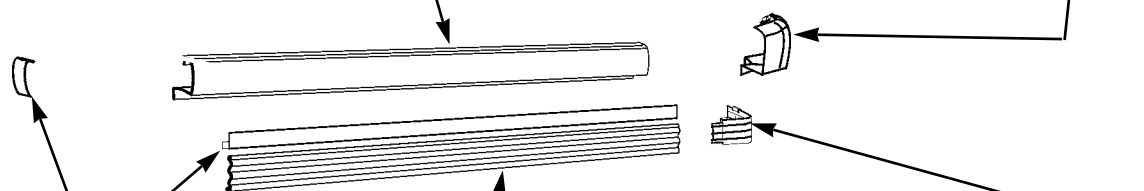
NFJE/NCJE

Front/Side Raceway Cover [Item 13]

Front (70.312")	Side (36.844")	Color
Part Number	Part Number	
9025663	9025659	White
9025672	9026083	Bone White
9025683	9025679	Misty Gray
9025694	9025690	Pearl
9025705	9025701	Oatmeal
9025716	9025712	Soft Sand
9025727	9025723	Chromium
9025738	9025734	Cool Gray
9025749	9025745	Oyster
9025760	9025756	Black
9310654	9310647	Steel Gray
9031565	9031558	Chocolate
9031592	9031585	Mocha
9031646	9031639	Stone

Raceway Corner Trim [Item 10]

Part Number	Color
9041800	White
9041801	Bone White
9041802	Misty Gray
9041803	Pearl
9041804	Oatmeal
9041805	Soft Sand
9041806	Chromium
9041807	Cool Gray
9041808	Oyster
9041809	Black
9041811	Steel Gray
9041812	Chocolate
9041813	Mocha
9041814	Stone
9041815	Cherry Red
9041334	Supports



Kickplate Corner Trim [Item 12]

Part Number	Color
9042157	Cool Gray
9042158	Black
9042159	Pearl
9042160	Steel Gray

Front/Side Kickplate [Item 14]

Front (72.312")	Side (36.688")	Color
Part Number	Part Number	
9041650	9041585	Cool Gray
9041651	9041586	Black
9041652	9041587	Pearl
9041654	9041589	Steel Gray

Raceway Cover Backer [Item 25]

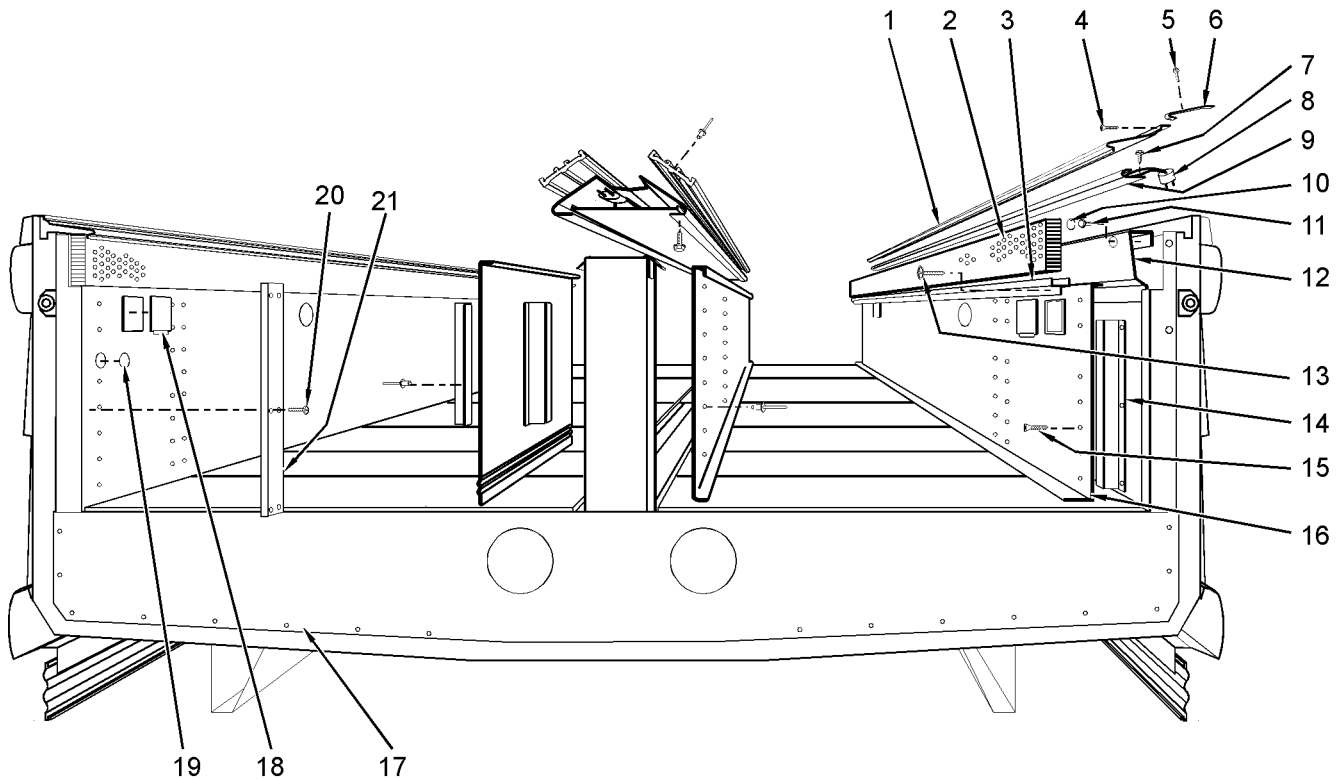
Part Number	Color
9025795	White
9025796	Bone White
9025797	Misty Gray
9025798	Pearl
9025799	Oatmeal
9025800	Soft Sand
9025801	Chromium
9025802	Cool Gray
9025803	Oyster
9025804	Black
9310683	Steel Gray
9031907	Chocolate
9031908	Mocha
9031909	Stone

Optional Front/Side Kickplate Extension [Item 17]

Front (72.312")	Side (36.688")	Color
Part Number	Part Number	
9042836	9042784	Cool Gray
9042837	9042785	Black
9042839	9042786	Pearl
9042840	9042787	Steel Gray



STRUCTURAL COMPONENTS
DUCTS AND PANELS - NFJ/NCJ/NTJ

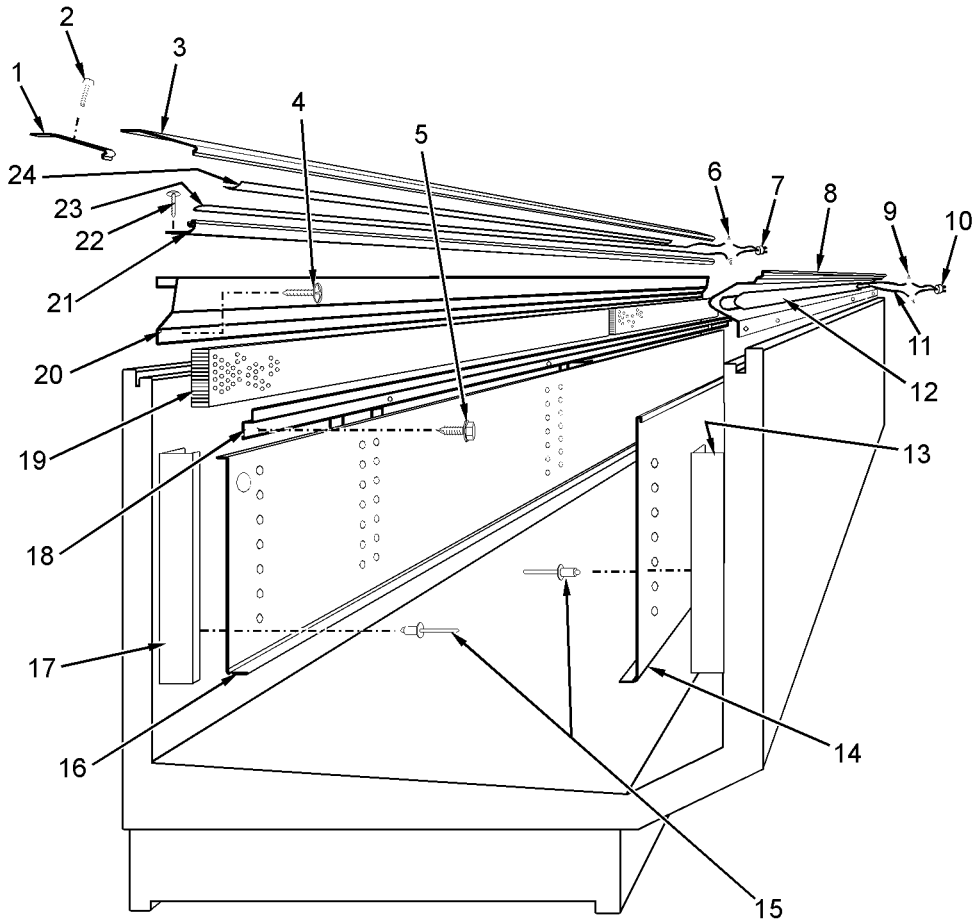


8' or 12' Merchandiser

Item	Part No.	Quantity		Description	Item	Part No.	Quantity		Description
		8'	12'				8'	12'	
1	5202991	2	-	Front Trim Guard	12	5216197	2	-	Air Vane
	5202992	-	2	Front Trim Guard		5216198	-	2	Air Vane
*	5216214	4	6	Grid & Retainer Assy.	13	5199134	12	18	Screw
2	5208576	4	6	Discharge Grid	14	5215022	4	6	Front & Rear Z-Bar
3	5988857	4	6	Lwr. Honeycomb Retainer		5182021	2	4	Rear Center Z-Bar
4	5048626	8	12	Screw		5183536	18	30	Screw
5	5205439	2	2	Screw	15	5048626	24	28	Screw
6	5207489	1	1	Riser Joint Trim	16	5203218	2	-	Rear Duct
7	5120943	8	12	Screw		5203219	-	2	Rear Duct
*	5216215	2	-	LWR Trim Rail & HTR Assy.	17	5220992	2	2	End Liner Assembly
*	5216216	-	2	LWR Trim Rail & HTR Assy.	18	5646033	4	4	Inspection Hole Cover
8	5124818	1	-	Heater Wire, 8 ohm/ft	19	5198993	6	8	Plug Button
	5124819	-	1	Heater Wire, 4 ohm/ft	20	5145036	6	6	Screw
9	5216219	1	-	Lower Trim Rail	21	5127637	1	1	Duct Joint Trim
	5216220	-	1	Lower Trim Rail					
10	5627813	10	16	Plug Button					
11	5120943	10	16	Screw					



STRUCTURAL COMPONENTS - (CONT'D)
 DUCTS AND PANELS - NFJE/NCJE

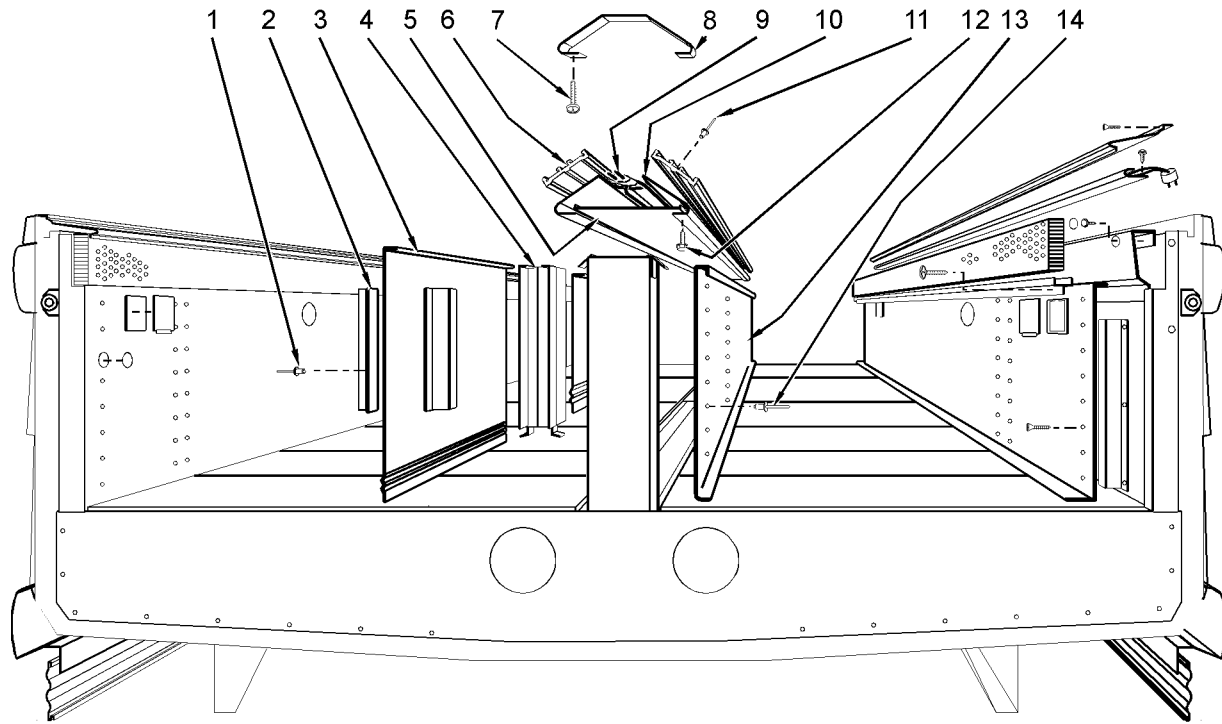


End Merchandiser

Item	Part No.	Qty.	Description	Item	Part No.	Qty.	Description
1	5216948	1	RH Riser Joint Trim	14	5235477	1	Front Duct
	5216949	1	LH Riser Joint Trim	15	5104702	24	Rivet
2	5205439	2	Screw	16	5235478	1	Rear Duct
3	5237567	1	Rear Trim Guard	17	5237589	2	Rear Duct Close-off
4	5102643	4	Screw		1309067	8	Screw
5	5183536	8	Screw		5963578	2	Rear Duct Z-Bar
6	5106239	2	Wire Connector		5183536	6	Screw
7	5129895	1	Male Plug with Lead	*	5217300	1	Grid and Retainer Assembly
*	5235476	1	Front Trim Guard Assembly	18	5217302	1	Grid Retainer
8	5237590	1	Front Trim Guard		5214669	2 oz.	Silaprene
9	5106239	2	Wire Connector	19	5208576	1	48" Discharge Grid
10	5129895	1	Male Plug with Lead		5217301	1	22" Discharge Grid
11	5028893	1	Heater Wire, 25 ohm/ft	20	5217304	1	Air Valve
12	5108656	8'	Aluminum Tape	*	5217303	1	Trim Rail and Wire Assembly
13	5237588	2	Front Duct Close-off	21	5196077	1	Lower Trim Rail
	1309067	8	Screw	22	5102643	4	Screw
	5123676	2	Front Duct Z-Bar	23	5080970	1	Heater Wire, 16.5 ohm/ft
	5183536	6	Screw	24	5057259	7'	Aluminum Tape



STRUCTURAL COMPONENTS - (CONT'D)
 CENTER PARTITION - NFJ/NCJ/NTJ



8' or 12' Merchandiser

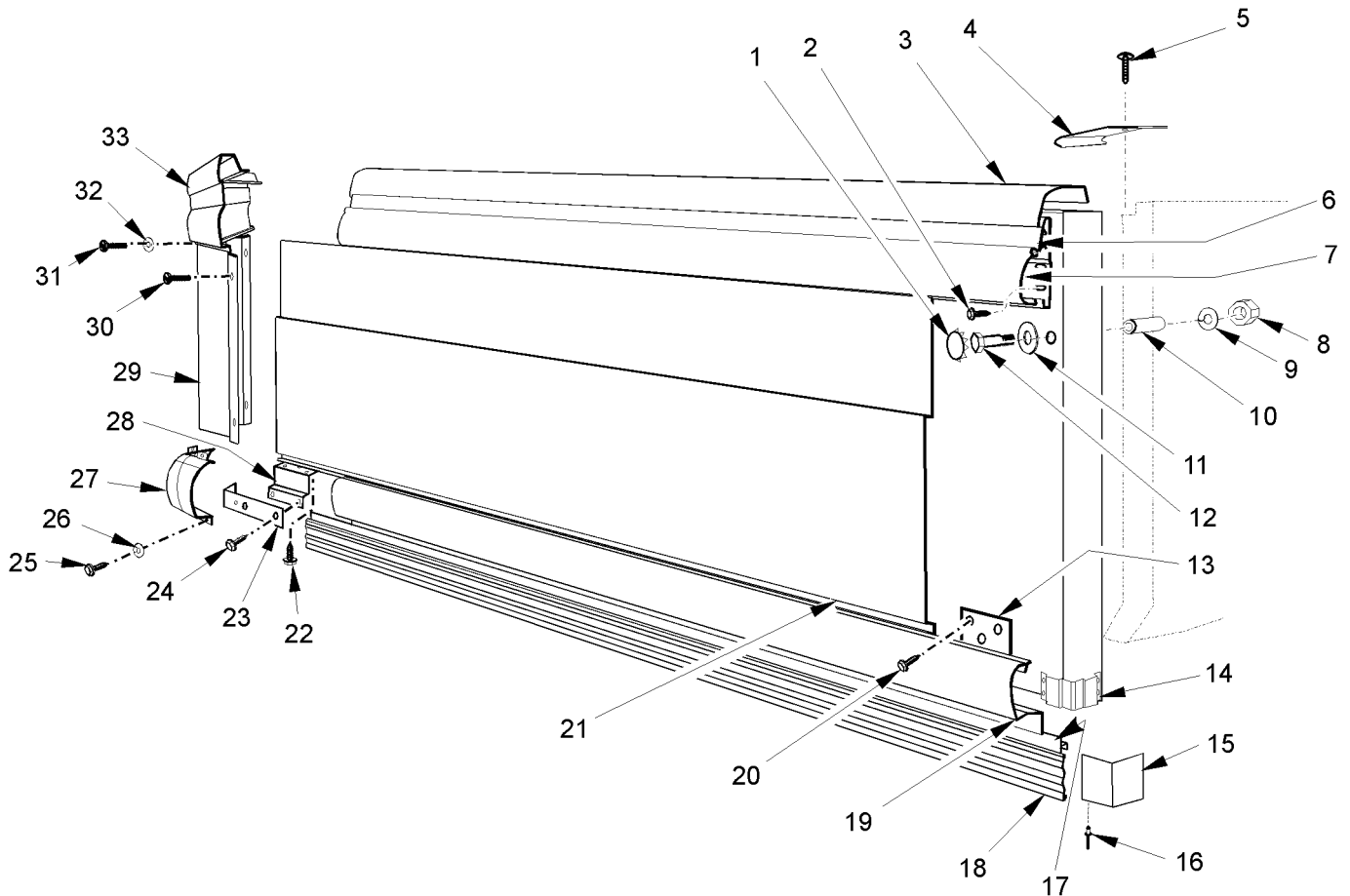
Item	Part No.	Quantity		Description	Item	Part No.	Quantity		Description
		8'	12'				8'	12'	
1	5105037	20	20	Rivet	7	5145036	2	2	Screw
2	5214739	4	6	Center Divider Z-Bar	8	5213862	1	1	Standard Joint Trim
3	5214740	1	1	RH Divider Panel (NFJ/NCJ)	9	5124818	1	-	Heater Wire, 8 ohm/ft
	5214742	-	1	Ctr Divider Panel (NFJ/NCJ)		5124819	-	1	Heater Wire, 4 ohm/ft
	5214741	1	1	LH Divider Panel (NFJ/NCJ)	10	5223928	1	-	Top Riser Cap
	5220975	1	1	RH Divider Panel (NTJ only)		5223929	-	1	Top Riser Cap
	5220980	-	1	Ctr Divider Panel (NTJ only)		11	5105037	8	8
5220978	1	1	LH Divider Panel (NTJ only)	12	5120943		6	6	Screw
	5199728	15	24		Rivet (NTJ only)	13	5196189	2	-
4	5220990	1	2	Center Upright Assembly	5196190		-	2	Center Duct
5	5198905	1	-	Center Divider Reinforcement	5220983	2	4	Ctr Duct Spacer (NTJ only)	
	5198906	-	1	Center Divider Reinforcement	5220997	4	8	Divider Flange Spacer (NTJ only)	
6	5120107	2	-	Card Molding	14	5105037	12	12	Rivet (NFJ/NCJ)
	5120108	-	2	Card Molding		5199728	12	12	Rivet (NTJ only)
	5122282	4	4	Card Molding End Trim					



STRUCTURAL COMPONENTS - (CONT'D)

WRAP ENDS, PATCH ENDS, PARTITIONS AND DIVIDERS - NFJ/NCJ/NTJ

Wrap End



Item	Part No.	Qty.	Description	Item	Part No.	Qty.	Description
*	9301448	1	Wrap End, Non-Glass	16	5104702	2	Rivet (1 per trim)
*	9301447	1	Wrap End Bench Assembly	17	+	1	Kickplate Extension [OPTL]
1	5105873	2	Plug Button	18	+	1	Kickplate
2	9025833	8	Shoulder Screw	19	+	1	Raceway Cover
3	+	1	Bumper Retainer	20	5183536	6	Screw (3 per retainer)
4	5207488	2	End Trim (1 per side)	21	9025642	1	End Cladding - Painted
5	5048626	4	Screw (2 per side)	22	5183536	9	Screw (3 per hanger)
6	9023795	1	Color Band - Painted	23	9300456	2	Corner Bracket
7	+	1	Bumper	24	5183536	4	Screw (2 per bracket)
8	5200392	2	Elastic Stop Nut	25	5183536	4	Screw (2 per trim)
9	5101006	2	Lockwasher	26	5100982	4	Washer (2 per trim)
10	5053056	2	Pull-up Extension Sleeve	27	+	2	Raceway Corner Trim
11	5100979	2	Washer	28	9300455	3	End Kickplate Hanger
12	5145961	2	Tapping Bolt	29	9026181	2	Cladding Corner Trim
13	9300197	2	Cladding Retainer	30	5183536	8	Screw (4 per trim)
14	9300404	2	Corner Retainer Trim	31	5183536	4	Screw (2 per trim)
	5183536	8	Screw (4 per trim)	32	5100982	4	Washer (2 per trim)
15	9300401	2	Kickplate Corner Trim	33	+	2	Upper Corner Trim

+ See next page for parts breakdown per color.



STRUCTURAL COMPONENTS - (CONT'D)

WRAP ENDS, PATCH ENDS, PARTITIONS AND DIVIDERS - NFJ/NCJ/NTJG

Wrap End

Upper Corner Trim [Item 33]

Part Number	Color
9025465	White
9026186	Bone White
9026187	Misty Gray
9026188	Pearl
9026189	Oatmeal
9026190	Soft Sand
9026191	Chromium
9026192	Cool Gray
9026193	Oyster
9026194	Black
9028881	Steel Gray
9031888	Chocolate
9031889	Mocha
9031890	Stone

Bumper Retainer (70.062") [Item 3]

Part Number	Color
9025489	White
9025502	Bone White
9025515	Misty Gray
9025528	Pearl
9025541	Oatmeal
9025554	Soft Sand
9025568	Chromium
9025581	Cool Gray
9025594	Oyster
9025607	Black
9028929	Steel Gray
9031786	Chocolate
9031813	Mocha
9031867	Stone

Bumper (70.062") [Item 7]

Part Number	Color
9025032	White
9025262	Bone White
9025283	Misty Gray
9025304	Pearl
9025325	Oatmeal
9025346	Soft Sand
9025367	Chromium
9025388	Cool Gray
9025409	Oyster
9025430	Black
9028897	Steel Gray
9031678	Chocolate
9031715	Mocha
9031752	Stone

Optional Kickplate Extension (70.062") [Item 17]

Part Number	Color
9042828	Cool Gray
9042829	Black
9042830	Pearl
9042831	Steel Gray

Raceway Corner Trim [Item 27]

Part Number	Color
9041800	White
9041801	Bone White
9041802	Misty Gray
9041803	Pearl
9041804	Oatmeal
9041805	Soft Sand
9041806	Chromium
9041807	Cool Gray
9041808	Oyster
9041809	Black
9041811	Steel Gray
9041812	Chocolate
9041813	Mocha
9041814	Stone
9041815	Cherry Red

Kickplate (70.062") [Item 18]

Part Number	Color
9025622	Cool Gray
9026034	Black
9026051	Pearl
9035212	Steel Gray

Raceway Cover (70.062") [Item 19]

Part Number	Color
9025663	White
9025672	Bone White
9025683	Misty Gray
9025694	Pearl
9025705	Oatmeal
9025716	Soft Sand
9025727	Chromium
9025783	Cool Gray
9025749	Oyster
9025760	Black
9310654	Steel Gray
9031565	Chocolate
9031592	Mocha
9031646	Stone

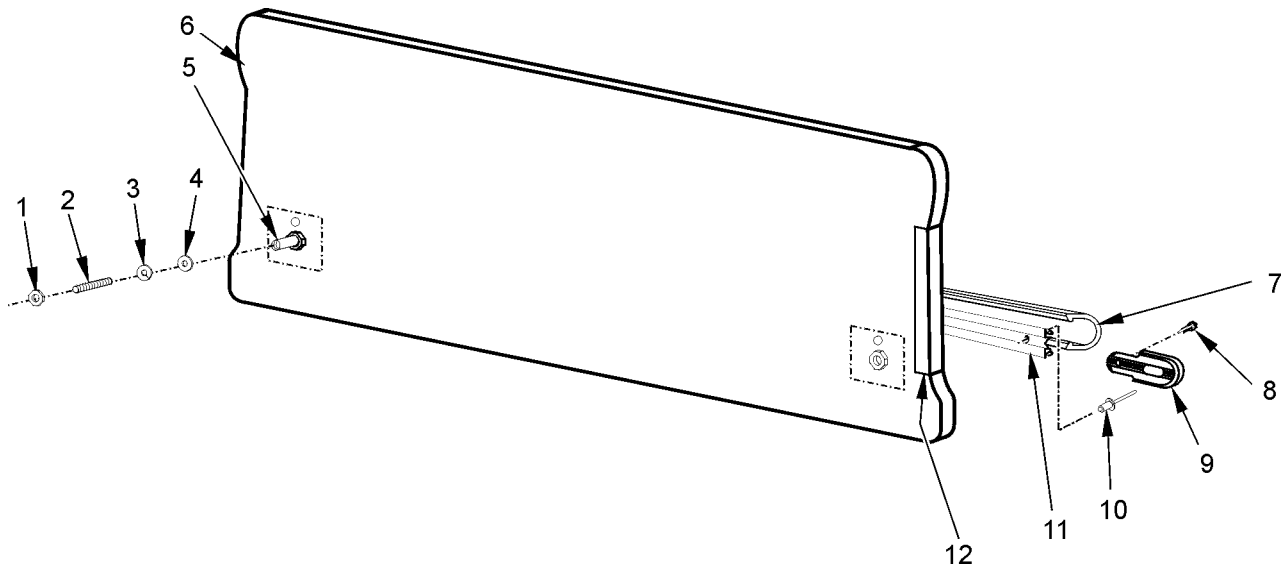
9041334 Supports



STRUCTURAL COMPONENTS - (CONT'D)

WRAP ENDS, PATCH ENDS, PARTITIONS AND DIVIDERS - NFJ/NCJ/NTJ

Solid Patch End



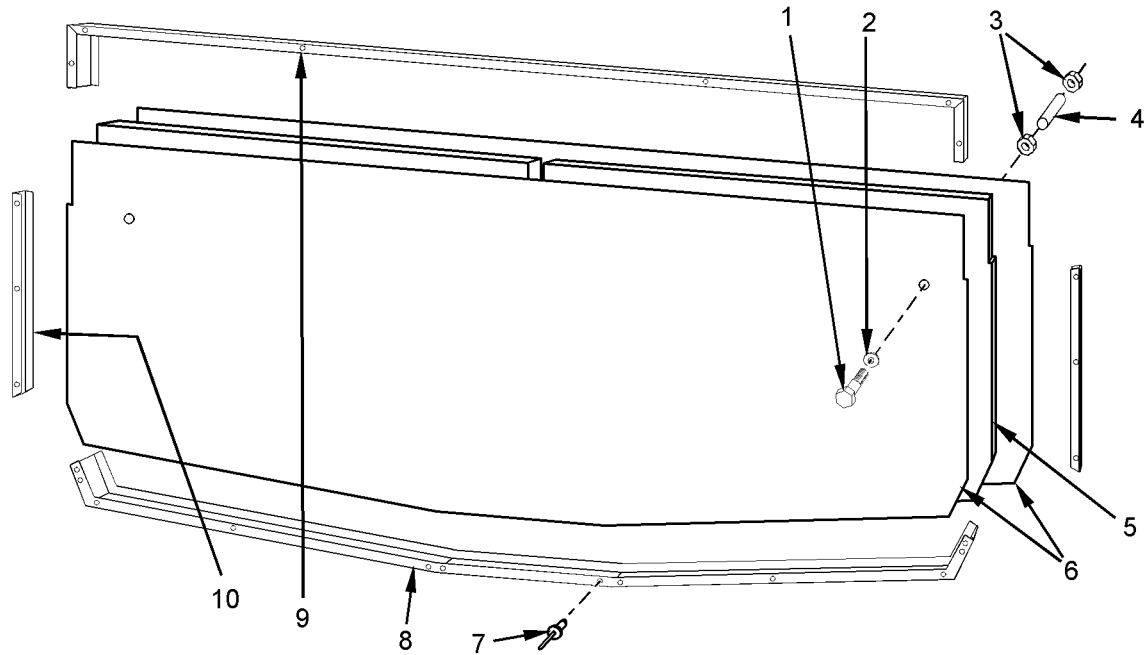
Item	Part No.	Qty.	Description	Item	Part No.	Qty.	Description
*	9022323	1	Flat End Assembly, Ptd. w/ FRP Liner - RH	7	9027983	2	1" End Bumper, Black
	9202078	1	Flat End Assmbly, Ptd. w/ FRP Liner - LH		9027982	2	1" End Bumper, Cool Gray
1	5100625	2	Nut, 5/16"-18		9027984	2	1" End Bumper, Pearl
2	9022759	2	Stud, 5/16"-18 x 3"	8	5053985	4	Screw
3	5101003	2	Lockwasher	9	9027744	4	End Cap, Black
4	5100976	2	Washer		9027743	4	End Cap, Cool Gray
5	9022756	2	Threaded Insert		9027742	4	End Cap, Pearl
6	9028311	1	Flat End Bench Assembly, Ptd. w/ FRP Liner (RH & LH)	10	5104702	24	Rivet
				11	9027885	2	Mounting Retainer
				12	9301560	1	End Protector Plate
					1309067	3	Screw
					5186737	1	Foam Gasket
					9028446	1	Label Plate Protector



STRUCTURAL COMPONENTS - (CONT'D)

WRAP ENDS, PATCH ENDS, PARTITIONS AND DIVIDERS - NFJ/NCJ/NTJ

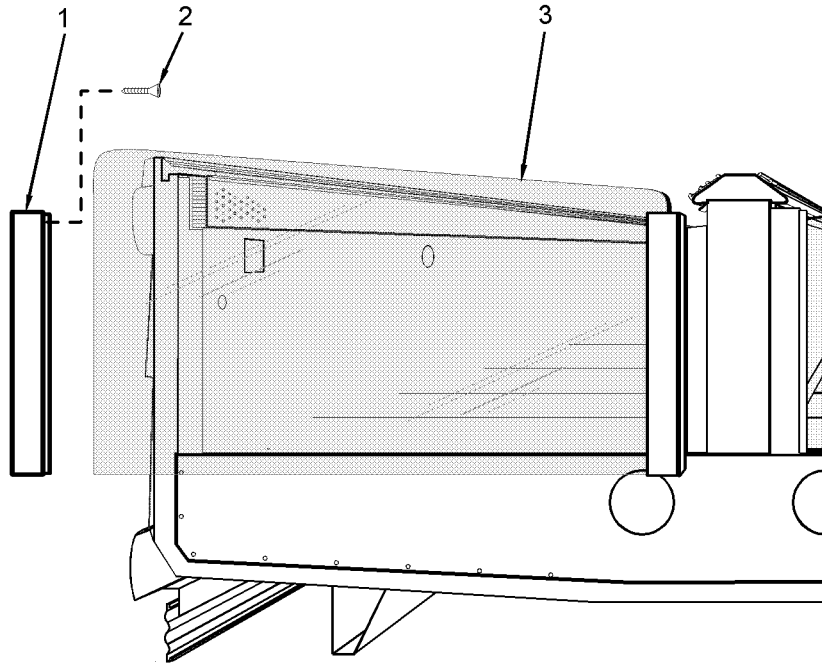
1" Solid Partition



Item	Part No.	Qty.	Description	Item	Part No.	Qty.	Description
*	9021599	1	1" Partition Assembly, Ptd.	5	5057165	2	Beadboard
1	5145961	2	Screw	6	9028835	2	Panel and Liner
2	5100979	2	Washer	7	5104702	40	Rivet
3	5126973	2	Nut	8	9028215	1	Lower Trim
4	5053056	2	Sleeve	9	5948266	1	Upper Trim
*	9030568	1	1" Partition Bench Assy., Ptd.	10	9030427	2	Side Trim



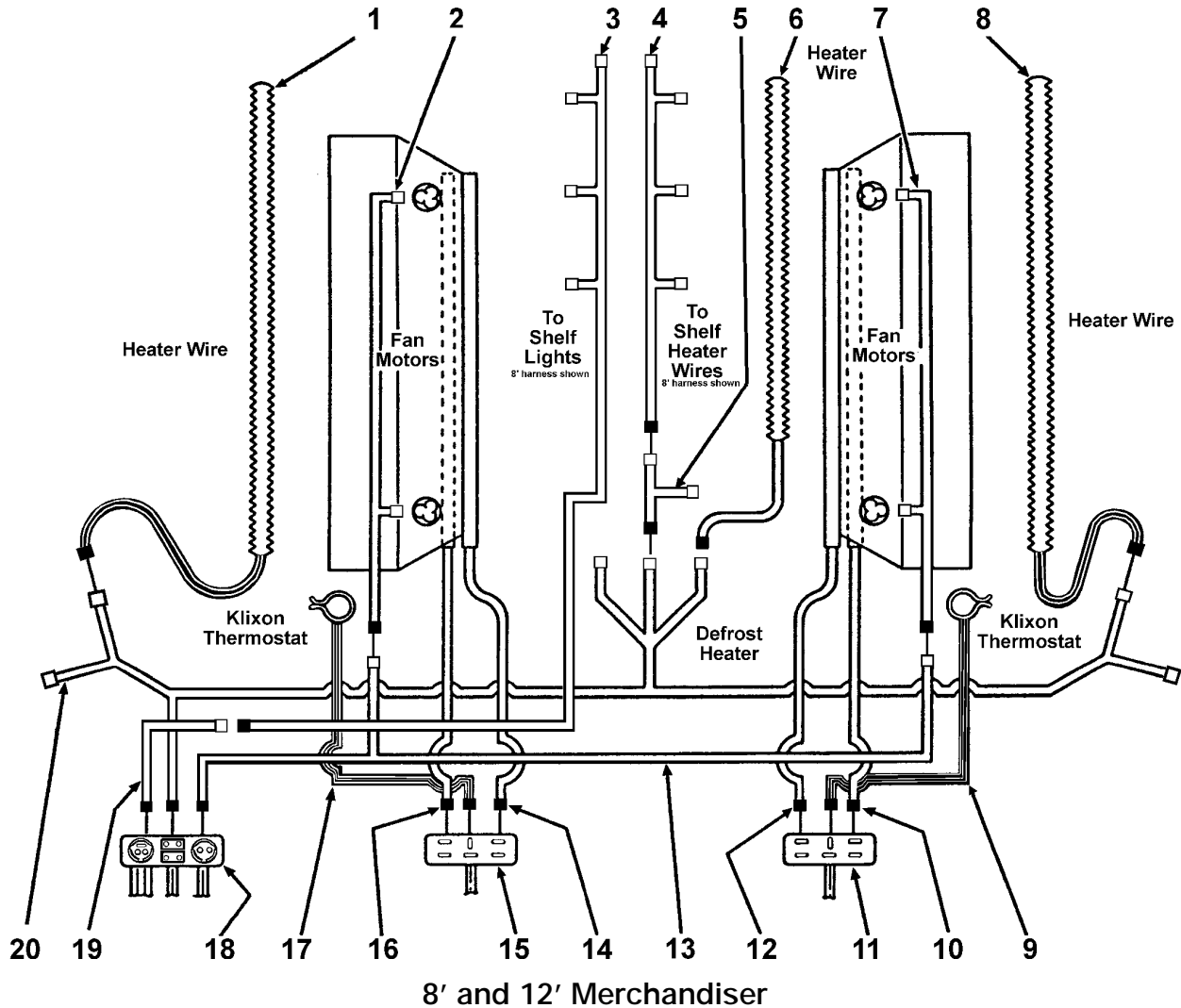
STRUCTURAL COMPONENTS - (CONT'D)
WRAP ENDS, PATCH ENDS, PARTITIONS AND DIVIDERS - NFJ/NCJ/NTJ
Inside Plexiglas Divider



Item	Part No.	Qty.	Description
*	5195770	1	Pair of Inside Plexiglas Divider Assemblies
	5195771	2	Inside Plexiglas Divider Assembly
1	5028559	2	Front & Rear Plexiglas Retainer
2	5048626	10	Screw
3	5195772	1	Plexiglas Partition



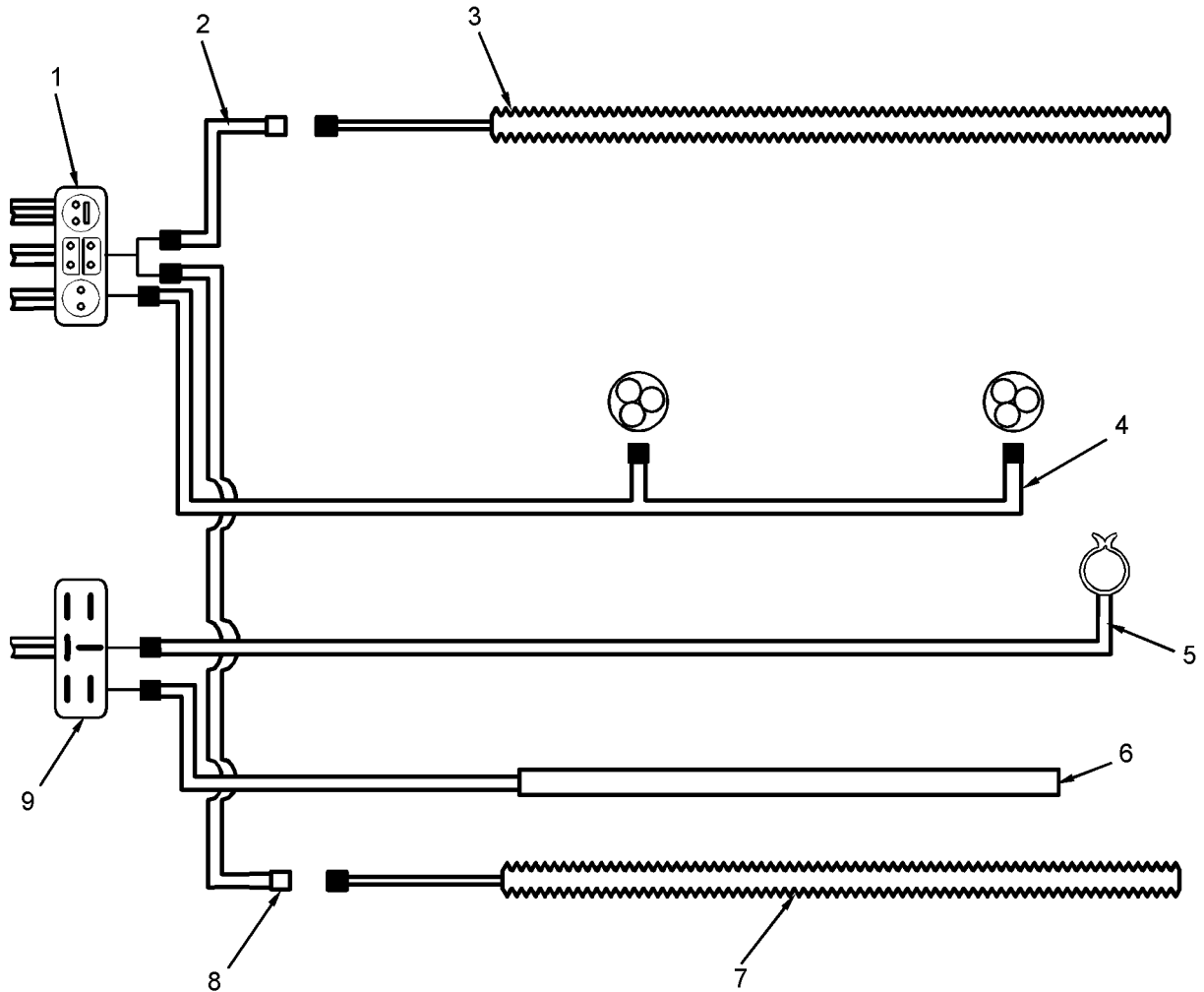
ELECTRICAL SYSTEM COMPONENTS
WIRING HARNESSSES - NFJ/NCJ/NTJ
 Wiring and Components



Item	Part No.	Quantity		Description	Item	Part No.	Quantity		Description
		8'	12'				8'	12'	
1	5124818	1	-	Heater Wire	12	5960934	1	-	Defrost Heater
	5124819	-	1	Heater Wire		5960935	-	1	Defrost Heater
2	5199414	1	-	Fan Harness	13	5199447	1	1	Wiring Harness
	5199415	-	1	Fan Harness	14	5960934	1	-	Defrost Heater
3	5230420	1	-	Shelf Light Harness		5960935	-	1	Defrost Heater
	5230421	-	1	Shelf Light Harness	15	5219930	1	1	Harness, 220V Input
4	5230418	1	-	Shelf Heater Harness	16	5960934	1	-	Defrost Heater
	5230419	-	1	Shelf Heater Harness		5960935	-	1	Defrost Heater
5	5124209	1	1	Wiring Harness	17	5125211	1	1	Klixon Thermostat
6	5124818	1	1	Heater Wire	18	5219793	1	1	Harness, 115V Input
7	5199414	1	-	Fan Harness	19	5220484	1	1	Shelf Light Harness
	5199415	-	1	Fan Harness	20	5212544	1	1	Wiring Harness
8	5124818	1	-	Heater Wire	Options				
	5124819	-	1	Heater Wire		9023508	1		H.G. Term Klixon-55/40
9	5125211	1	1	Klixon Thermostat					[H.G. Med/Dual Temp. Only]
10	5960934	1	-	Defrost Heater		9023503	1		Fan Cont. Klixon-50/40
	5960935	-	1	Defrost Heater					[H.G. Med/Dual Temp. Only]
11	5219933	1	1	Harness, 220V Input					



ELECTRICAL SYSTEM COMPONENTS - (CONT'D)
 WIRING HARNESSSES - NFJE/NCJE
 Wiring and Components

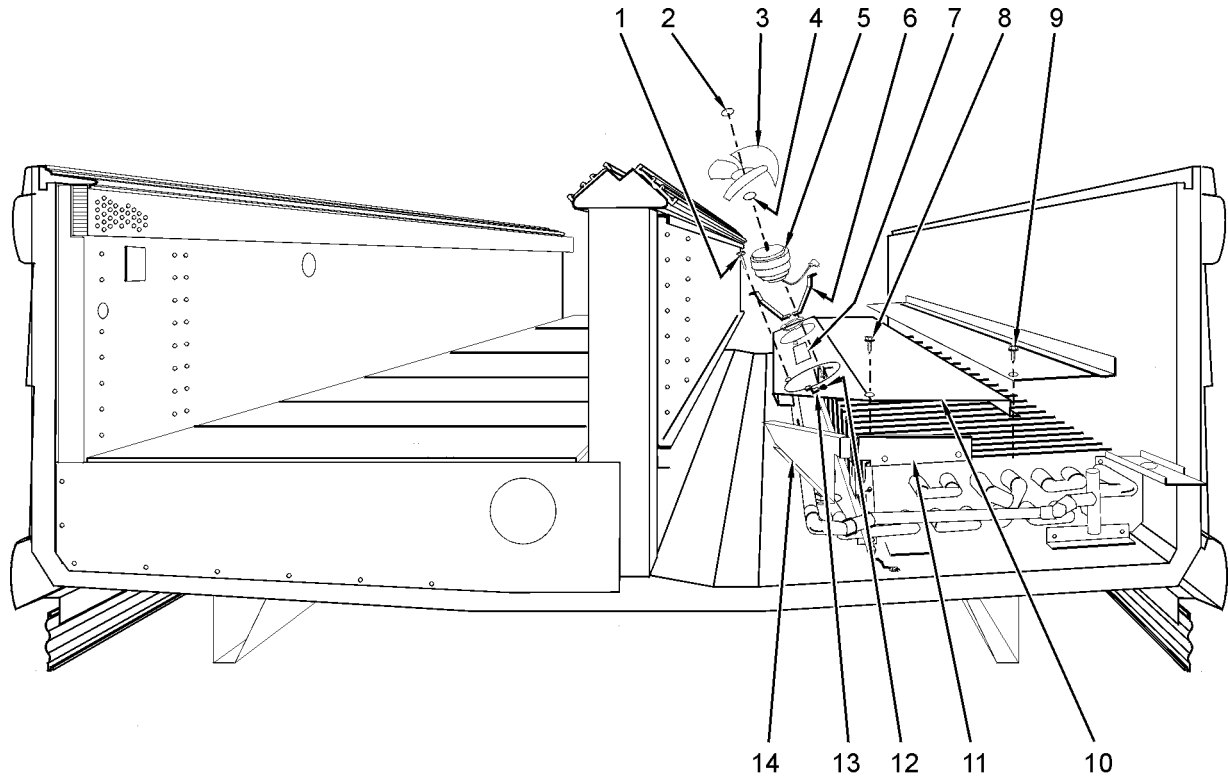


End Merchandiser

Item	Part No.	Qty.	Description
1	5199320	1	Harness, 115V Input
2	5123832	1	Wiring Harness
3	5080970	1	Heater Wire
4	5199414	1	Fan Harness
5	5125211	1	Klixon Thermostat
6	5195710	1	Defrost Heater
7	5028893	1	Heater Wire
8	5123832	1	Wiring Harness
9	5625360	1	Harness, 220V Input
Options			
	9023508	1	H.G. Term Klixon-55/40 [H.G. Med/Dual Temp. Only]
	9023503	1	Fan Cont. Klixon-50/40 [H.G. Med/Dual Temp. Only]



ELECTRICAL SYSTEM COMPONENTS - (CONT'D)
FAN SYSTEMS - NFJ/NCJ/NTJ

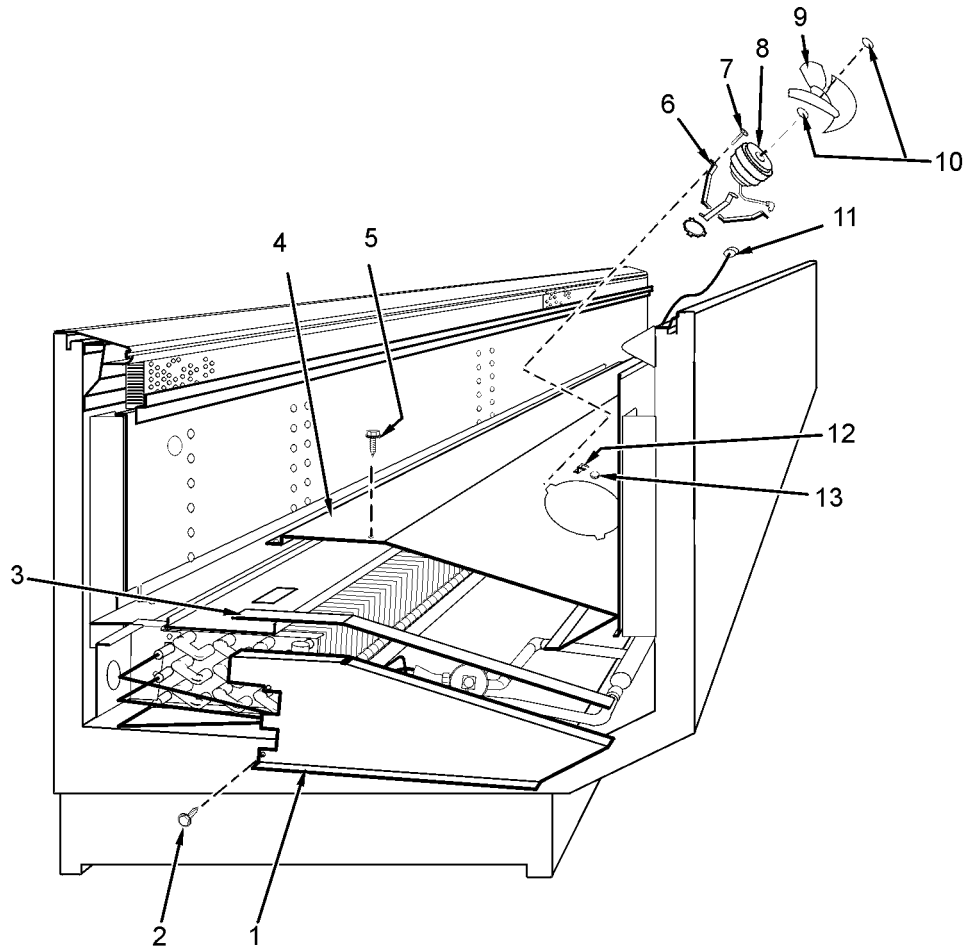


8' and 12' Merchandiser

Item	Part No.	Quantity		Description	Item	Part No.	Quantity		Description
		8'	12'				8'	12'	
1	5224128	12	18	Screw	10	5214711	2	-	Fan Panel
2	----	4	6	Nut (furnished w/ motor)		5214712	-	2	Fan Panel
3	5105621	4	6	Fan Blade, 115V, 6" 21°	11	5214670	2	2	RH Rear Fan Panel Close-off
	5104294	4	6	Fan Blade, 220V, 6" 27°		5214671	2	2	LH Rear Fan Panel Close-off
	9025138	4	6	Fan Blade, ECM, 6" 25 1/4°		5183536	8	8	Screw
4	----	4	6	Gasket (furnished w/ motor)	12	5122007	6	8	Strain Relief
5	5644521	4	6	Fan Motor, 5W 115V	13	5206177	4	6	Fan Harness Clip
	5126572	4	6	Fan Motor, 5W 220V	14	5214709	2	2	RH Fan Panel End Close-off
	9025002	4	6	Fan Motor, ECM 8W		5214710	2	2	LH Fan Panel End Close-off
6	5213132	12	18	Fan Motor Bracket, 115V		5183536	10	10	Screw
	5213532	12	18	Fan Motor Bracket, 220V					
	5205279	12	18	Fan Motor Bracket, ECM					
	9041077	4	6	Fan Motor Bracket MTG Plate					
	5224128	12	18	Screw					
7	5644806	2	2	Inspection Hole Cover					
8	5183536	8	8	Screw					
9	5183536	6	8	Screw					



ELECTRICAL SYSTEM COMPONENTS - (CONT'D)
 FAN SYSTEMS - NFJE/NCJE

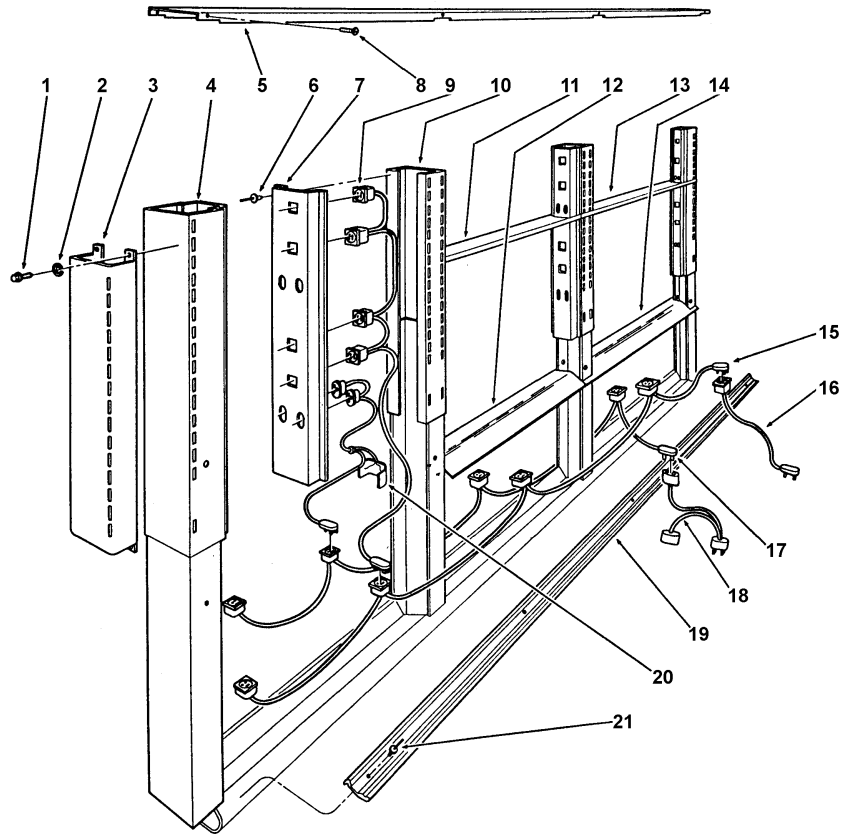


End Merchandiser

Item	Part No.	Qty.	Description	Item	Part No.	Qty.	Description
1	5963482	1	LH Fan Panel Close-off	8	5644521	2	Fan Motor, 5W 115V
	5963481	1	RH Fan Panel Close-off		5126572	2	Fan Motor , 5W 220V
2	5120943	4	Screw		9025002	2	Fan Motor ECM 8W
3	5107190	160"	Gasket, Ethofoam	9	5105621	2	Fan Blade,115V 6" 21°
4	5963480	1	Fan Panel		5104294	2	Fan Blade, 220V 6" 27°
5	5120943	10	Screw		9025138	2	Fan Blade ,ECM 6" 25 1/4°
6	5213132	6	Fan Motor Bracket, 115V	10	----	2	Nut and Gasket (furnished w/ motor)
	5213532	6	Fan Motor Bracket, 220V	11	5199414	1	Fan Motor Harness
	5205279	6	Fan Motor Bracket, ECM	12	5206177	2	Fan Harness Clip
	9041077	3	Fan Motor Bracket MTG Plate		5120943	2	Screw
7	5224128	12	Screw	13	5122007	3	Strain Relief



ELECTRICAL SYSTEM COMPONENTS - (CONT'D)
OPTIONAL SUPERSTRUCTURE COMPONENTS - NFJ/NCJ/NTJ
Superstructure Uprights - 6"/15"/20"/26"

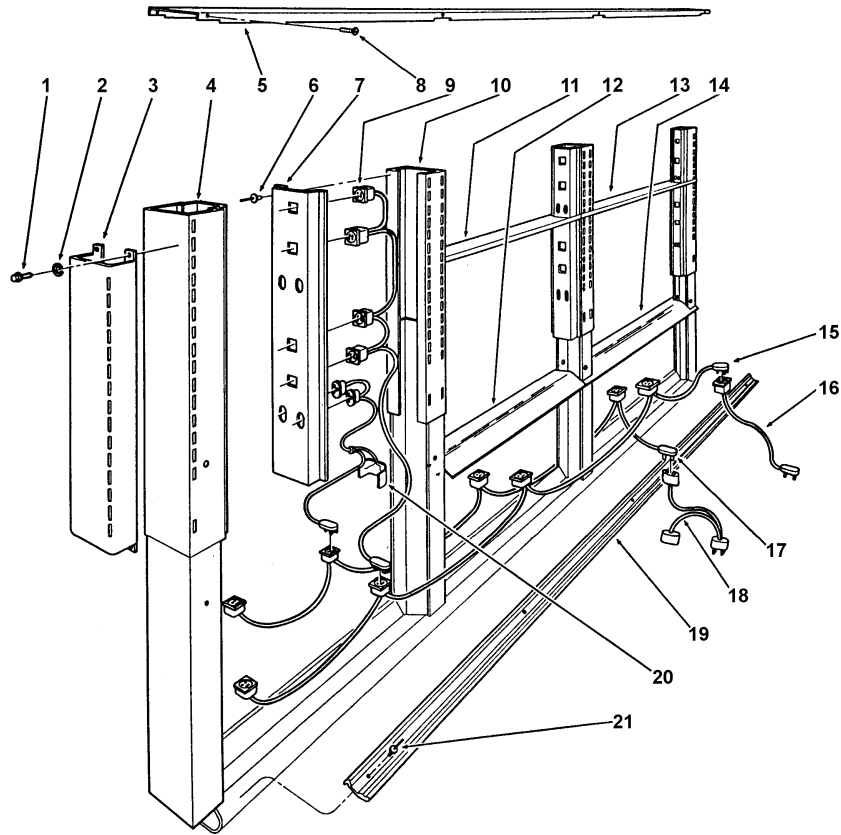


8' Merchandiser

Item	Part No.	Quantity				Description	Item	Part No.	Quantity				Description
		6"	15"	20"	26"				6"	15"	20"	26"	
*	5230479	1	-	-	-	36" Uprt Assy w/o Lights	9	5220502	N/A	N/A	2	-	Harness
*	5230481	-	1	-	-	45" Uprt Assy w/o Lights		5220558	N/A	N/A	-	2	Harness
*	5230483	-	-	1	-	50" Uprt Assy w/o Lights	10	5230422	1	-	-	-	Ctr Uprt Assy w/ Lights
*	5230485	-	-	-	1	56" Uprt Assy w/o Lights		5230423	-	1	-	-	Ctr Uprt Assy w/ Lights
*	5235598	1	-	-	-	36" Uprt Assy w/ Lights		5230424	-	-	1	-	Ctr Uprt Assy w/ Lights
*	5235600	-	1	-	-	45" Uprt Assy w/ Lights		5230425	-	-	-	1	Ctr Uprt Assy w/ Lights
*	5235602	-	-	1	-	50" Uprt Assy w/ Lights		5230426	1	-	-	-	Ctr Uprt Assy w/o Lights
*	5235604	-	-	-	1	56" Uprt Assy w/ Lights		5230427	-	1	-	-	Ctr Uprt Assy w/o Lights
1	5100746	N/A	N/A	4	4	Screw		5230428	-	-	1	-	Ctr Uprt Assy w/o Lights
2	5101000	N/A	N/A	4	4	Lockwasher		5230429	-	-	-	1	Ctr Uprt Assy w/o Lights
3	5196349	N/A	1	-	-	Upright Post	11	5196338	1	1	1	1	End Close-off
	5196350	N/A	-	1	-	Upright Post	12	----	N/A	N/A	N/A	N/A	Center Harness Cover
	5196351	N/A	-	-	1	Upright Post	13	5197057	1	1	1	1	End Close-off
4	5230506	2	-	-	-	End Upright Assembly	14	5230791	2	2	2	2	End Harness Cover
	5230507	-	2	-	-	End Upright Assembly	15	5230420	1	1	1	1	Wiring Harness
	5230508	-	-	2	-	End Upright Assembly	16	5220484	1	1	1	1	Wiring Harness
	5230509	-	-	-	2	End Upright Assembly	17	5230418	1	1	1	1	Wiring Harness
5	5196332	1	1	1	1	Upright Channel	18	5124209	1	1	1	1	Wiring Harness
6	5105037	A/R	A/R	A/R	A/R	Rivet	19	5236930	2	2	2	2	Card Molding
7	5234391	2	-	-	-	Harness Support		5941919	2	2	2	2	Card Molding Joint Trim
	5230441	-	2	-	-	Harness Support	20	5196307	1	1	1	1	Heater Harns w/ Uprt Htr
	5230442	-	-	2	-	Harness Support		5230417	1	1	1	1	Heater Harness
	5230443	-	-	-	2	Harness Support	21	5104702	A/R	A/R	A/R	A/R	Rivet
8	5100212	6	6	6	6	Screw							



ELECTRICAL SYSTEM COMPONENTS - (CONT'D)
 OPTIONAL SUPERSTRUCTURE COMPONENTS - NFJ/NCJ/NTJ
 Superstructure Uprights - 6"/15"/20"/26"

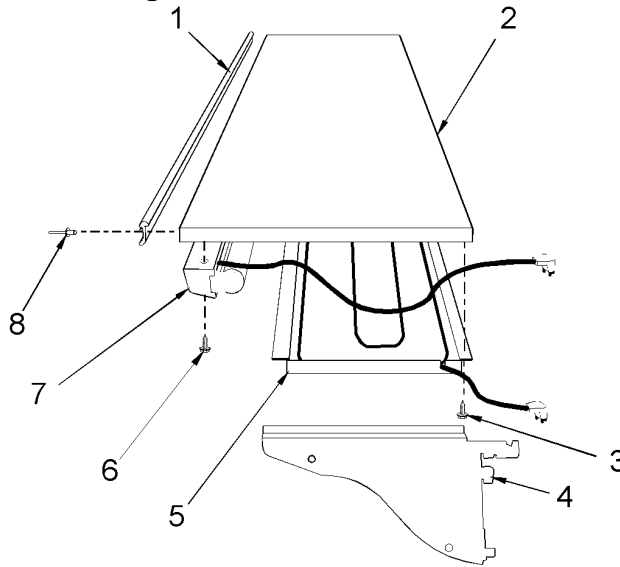


12' Merchandiser

Item	Part No.	Quantity				Description	Item	Part No.	Quantity				Description
		6"	15"	20"	26"				6"	15"	20"	26"	
*	5230480	1	-	-	-	36" Uprt Assy w/o Lights	9	5220502	N/A	N/A	2	-	Harness
*	5230482	-	1	-	-	45" Uprt Assy w/o Lights		5220558	N/A	N/A	-	2	Harness
*	5230484	-	-	1	-	50" Uprt Assy w/o Lights	10	5230422	2	-	-	-	Ctr Uprt Assy w/ Lights
*	5230486	-	-	-	1	56" Uprt Assy w/o Lights		5230423	-	2	-	-	Ctr Uprt Assy w/ Lights
*	5235599	1	-	-	-	36" Uprt Assy w/ Lights		5230424	-	-	2	-	Ctr Uprt Assy w/ Lights
*	5235601	-	1	-	-	45" Uprt Assy w/ Lights		5230425	-	-	-	2	Ctr Uprt Assy w/ Lights
*	5235603	-	-	1	-	50" Uprt Assy w/ Lights		5230426	2	-	-	-	Ctr Uprt Assy w/o Lights
*	5235605	-	-	-	1	56" Uprt Assy w/ Lights		5230427	-	2	-	-	Ctr Uprt Assy w/o Lights
1	5100746	N/A	N/A	4	4	Screw		5230428	-	-	2	-	Ctr Uprt Assy w/o Lights
2	5101000	N/A	N/A	4	4	Lockwasher		5230429	-	-	-	2	Ctr Uprt Assy w/o Lights
3	5196349	N/A	1	-	-	Upright Post	11	5196339	1	1	1	1	End Close-off
	5196350	N/A	-	1	-	Upright Post	12	5230792	1	1	1	1	Center Harness Cover
	5196351	N/A	-	-	1	Upright Post	13	5196338	1	1	1	1	End Close-off
4	5230506	2	-	-	-	End Upright Assembly	14	5230791	2	2	2	2	End Harness Cover
	5230507	-	2	-	-	End Upright Assembly	15	5230421	1	1	1	1	Wiring Harness
	5230508	-	-	2	-	End Upright Assembly	16	5220484	1	1	1	1	Wiring Harness
	5230509	-	-	-	2	End Upright Assembly	17	5230419	1	1	1	1	Wiring Harness
5	5196333	1	1	1	1	Upright Channel	18	5124209	1	1	1	1	Wiring Harness
6	5105037	A/R	A/R	A/R	A/R	Rivet	19	5236936	2	2	2	2	Card Molding
7	5234391	2	-	-	-	Harness Support		5941919	2	2	2	2	Card Molding Joint Trim
	5230441	-	2	-	-	Harness Support	20	5196307	1	1	1	1	Heater Harns w/ Uprt Htr
	5230442	-	-	2	-	Harness Support		5230417	1	1	1	1	Heater Harness
	5230443	-	-	-	2	Harness Support	21	5104702	A/R	A/R	A/R	A/R	Rivet
8	5100212	8	8	8	8	Screw							



ELECTRICAL SYSTEM COMPONENTS - (CONT'D)
 OPTIONAL SUPERSTRUCTURE COMPONENTS - NFJ/NCJ/NTJ
 Superstructure Shelving - 9"/12"/15"

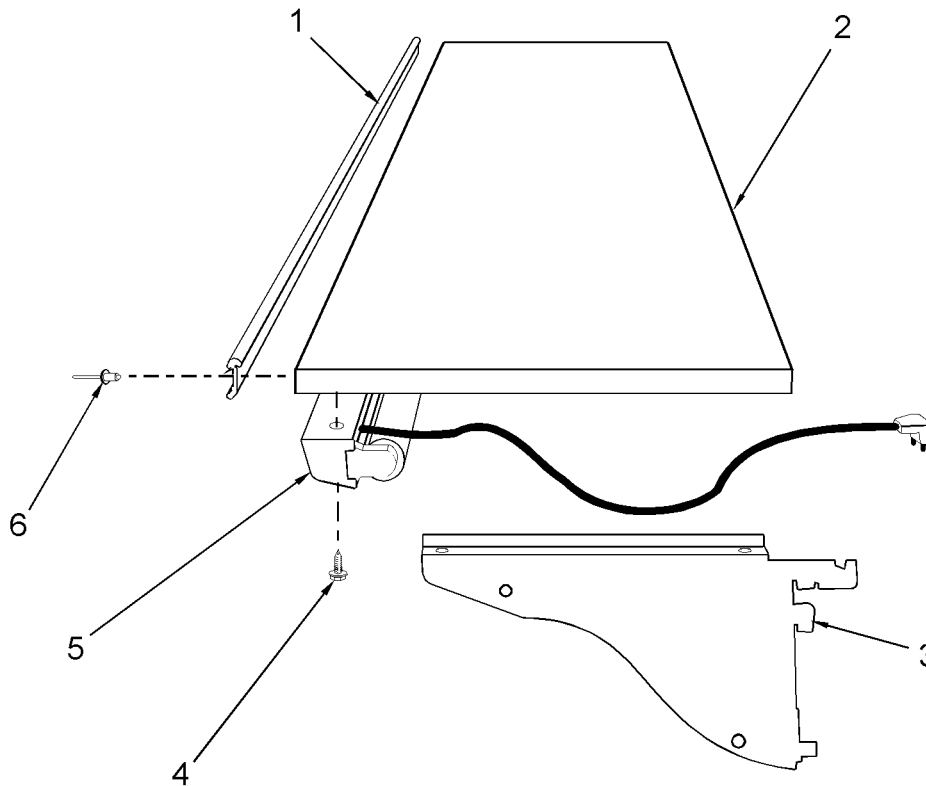


8' and 12' Merchandiser

Item	Part No.	Quantity		Description	Item	Part No.	Quantity		Description
		8'	12'				8'	12'	
*	5230457	1	-	Kit, Heated 9" Shelf w/o Light	*	5220687	4	6	15" Non-Htd Shelf Assy w/o Light
*	5230458	-	1	Kit, Heated 9" Shelf w/o Light					
*	5230459	1	-	Kit, Heated 12" Shelf w/o Light	*	5220691	4	6	15" Non-Htd Shelf Assy w/ Light
*	5230460	-	1	Kit, Heated 12" Shelf w/o Light					
*	5230465	1	-	Kit, Heated 12" Shelf w/ Light	*	5220716	4	6	15" Htd Shelf Assy w/o Light
*	5230466	-	1	Kit, Heated 12" Shelf w/ Light	*	5220720	4	6	15" Htd Shelf Assy w/ Light
*	5230461	1	-	Kit, Heated 15" Shelf w/o Light	1	5236879	1	1	Card Molding (per shelf assy)
*	5230462	-	1	Kit, Heated 15" Shelf w/o Light	2	5220611	1	1	Shelf Panel (per shelf assy)
*	5230467	1	-	Kit, Heated 15" Shelf w/ Light	3	5183536	8	8	Screw (per shelf assy)
*	5230468	-	1	Kit, Heated 15" Shelf w/ Light		5218751	1	1	Cord Clip (per lighted shelf)
*	5230445	1	-	Kit, Non-Heated 12" Shelf w/o Light	4	5088406	1	1	RH Shelf Bracket (per 9" shelf)
*	5230446	-	1	Kit, Non-Heated 12" Shelf w/o Light		5088408	1	1	(per 12" shelf)
*	5230451	1	-	Kit, Non-Heated 12" Shelf w/ Light		5185810	1	1	(per 15" shelf)
*	5230452	-	1	Kit, Non-Heated 12" Shelf w/ Light		5088407	1	1	LH Shelf Bracket (per 9" shelf)
*	5230447	1	-	Kit, Non-Heated 15" Shelf w/o Light		5088409	1	1	(per 12" shelf)
*	5230448	-	1	Kit, Non-Heated 15" Shelf w/o Light		5185811	1	1	(per 15" shelf)
*	5230453	1	-	Kit, Non-Heated 15" Shelf w/ Light	5	5196320	1	1	Frost Panel & Htr Assy (9" shelf)
*	5230454	-	1	Kit, Non-Heated 15" Shelf w/ Light		5221659	1	1	(12" shelf)
*	5196288	4	6	9" Htd Shelf Assy w/o Light		5220660	1	1	(15" shelf)
*	5220686	4	6	12" Non-Htd Shelf Assy w/o Light		5196308	1	1	Heater Wire, 115V (9/12" shelf)
*	5220690	4	6	12" Non-Htd Shelf Assy w/ Light		5196535	1	1	(15" shelf)
*	5220715	4	6	12" Htd Shelf Assy w/o Light		5940798	1	1	Htr Wire, 220V 50Hz (9/12" shlf)
*	5220719	4	6	12" Htd Shelf Assy w/ Light		5940799	1	1	(15" shelf)
						5108656	A/R	A/R	Tape
						5196328	1	1	Frost Panel (9" shelf)
						5220663	1	1	(12" shelf)
						5220664	1	1	(15" shelf)
						5123249	1	1	Strain Relief
					6	5183536	2	2	Screw
					7	(See Page E9)			Light Channel Assembly
					8	5104702	A/R	A/R	Rivet
						5230439	2	2	RH & LH End Close-off
						5230440	-	1	Center Close-off



ELECTRICAL SYSTEM COMPONENTS - (CONT'D)
 OPTIONAL SUPERSTRUCTURE COMPONENTS - NFJE/NCJE
 Superstructure Shelving - 12"/15"



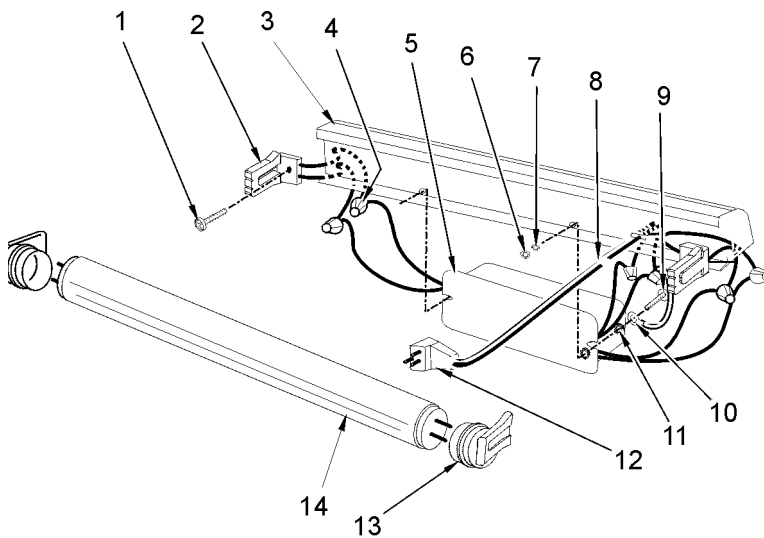
End Merchandiser

Item	Part No.	Qty.	Description	5236940	1	(15" shelf)
*	5230449	1	Kit, Non-Heated 12" Shelf w/o Light	5236943	1	RH Side Card Molding (12" shelf)
*	5230455	1	Kit, Non-Heated 12" Shelf w/ Light	5236941	1	(15" shelf)
*	5230450	1	Kit, Non-Heated 15" Shelf w/o Light	5236944	1	LH Side Card Molding (12" shelf)
*	5230456	1	Kit, Non-Heated 15" Shelf w/ Light	5236942	1	(15" shelf)
*	5220688	1	12" Non-Heated Shelf Assy w/o Light	5220657	1	Shelf Panel (12" shelf)
*	5220692	1	12" Non-Heated Shelf Assy w/ Light	5220658	1	(15" shelf)
*	5220689	1	15" Non-Heated Shelf Assy w/o Light	5218751	1	Cord Clip (lighted shelf only)
*	5220693	1	15" Non-Heated Shelf Assy w/ Light	5088408	1	RH Shelf Bracket (12" shelf)
				5088412	1	(15" shelf)
				5088409	1	LH Shelf Bracket (12" shelf)
				5088413	1	(15" shelf)
				5183536	2	Screw
				(See Page E9)		Light Channel Assembly
				5104702	A/R	A/R Rivet

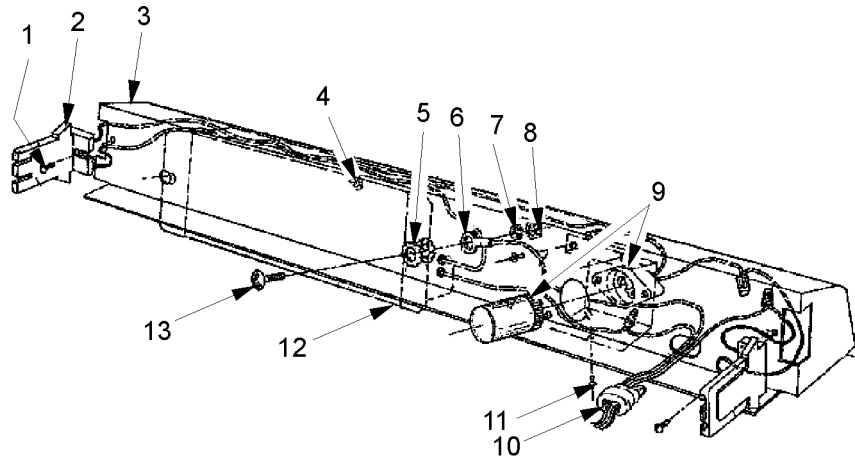


ELECTRICAL SYSTEM COMPONENTS - (CONT'D)
 OPTIONAL SUPERSTRUCTURE COMPONENTS - NFJ/NCJ/NTJ/LFJE/LCJE
 Shelf Light Assemblies

Shelf Light Assembly



Item	Part No.	Qty.	Description
1	5214107	2	Screw
2	5217544	2	Lampholder
3	5220533	1	Shelf Light Channel
4	5145679	6	Wire Nuts
5	5627909	1	40W Ballast - 115V, 60 Hz
	5627910	1	40W Ballast - 220V, 50 Hz
6	5100661	2	Nut
7	5100387	2	Lockwasher
8	5123674	1	Strain Relief
9	5100379	2	Bolt
10	5129874	1	Wire Terminal Ground
11	5103997	2	Lockwasher
12	5220488	1	Light Channel Harness
13	5217579	2	Lampholder Cap
14	5102064	1	40W Lamp (meat & deli)
	5102065	1	40W Lamp (frozen food, dairy & produce)

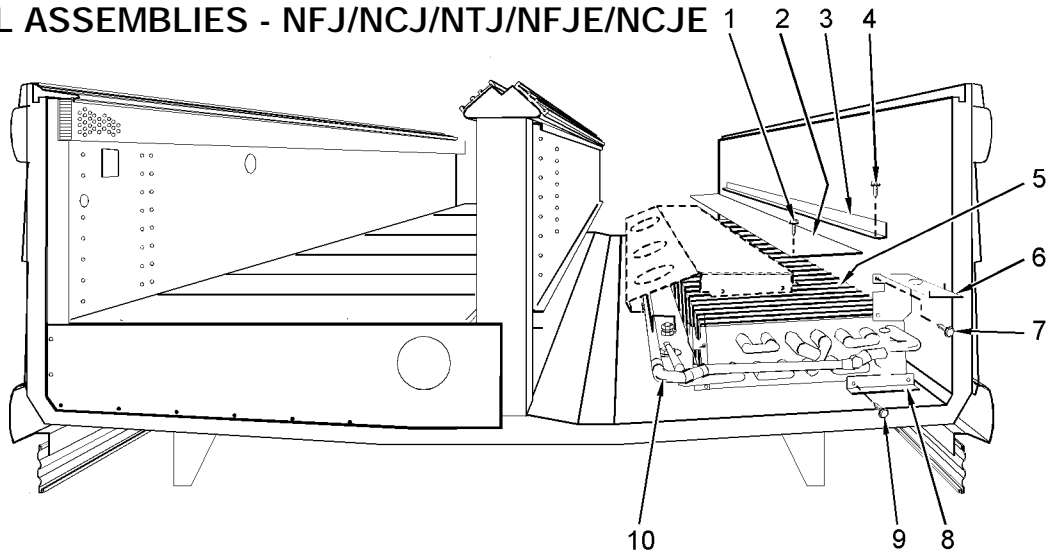


End Shelf Light Assembly

Item	Part No.	Qty.	Description
1	5214107	2	Screw
2	5217544	2	Lampholder
3	5220532	1	Shelf Light Channel, 24"
4	5145679	5	Wire Nuts
5	5103997	2	SHKPRF Lock Washer
6	5129874	1	Wire Terminal - GRND
7	5100387	2	Lockwasher
8	5100661	2	Nut
9	5220535	1	Starter & Socket Assy.
	5102018	1	Starter with Sleeve
	5107584	1	Starter Socket
	5220525	1	Starter Socket Support
	5145679	2	Plastic Connector
10	5123674	1	Strain Relief
	5220488	1	Light Channel Harness
11	5104702	3	Rivet
12	5102019	1	Ballast 14 & 20W
13	5100379	2	Bolt

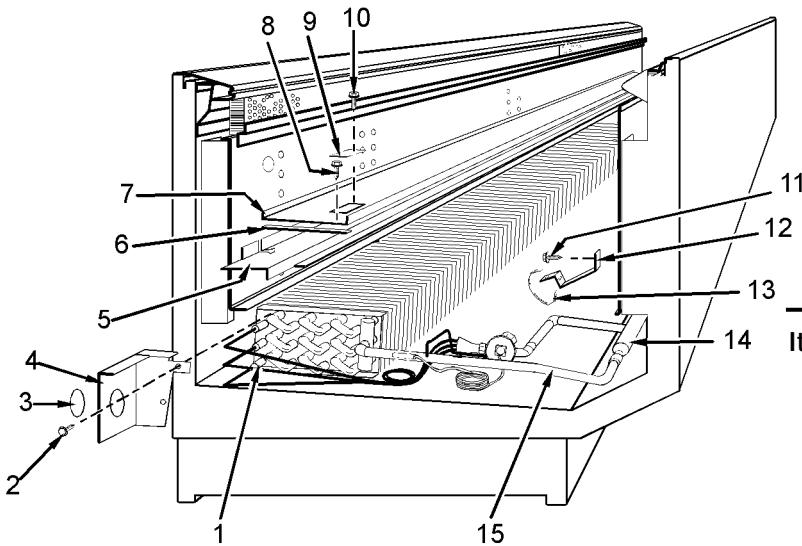


REFRIGERATION SYSTEM COMPONENTS COIL ASSEMBLIES - NFJ/NCJ/NTJ/NFJE/NCJE



8' and 12' Merchandiser

Item	Part No.	Quantity		Description	Item	Part No.	Quantity		Description
		8'	12'				8'	12'	
1	5183536	6	8	Screw	6	5214724	2	2	RH Coil Close-off
2	5214705	2	2	Top Coil Cover		5214725	2	2	LH Coil Close-off
3	5214707	2	2	Rear Coil Cover	7	5183536	16	16	Screw
4	5183536	4	4	Screw	8	5215959	8	8	Coil End Plate Extension
5	5214685	1	-	Front Coil Assy	9	5183536	16	16	Screw
	5214686	-	1	Front Coil Assy	10	5214681	1	-	Heat Exchanger Assy
	5214683	1	-	Rear Coil Assy		5214682	-	1	Heat Exchanger Assy
	5214684	-	1	Rear Coil Assy					

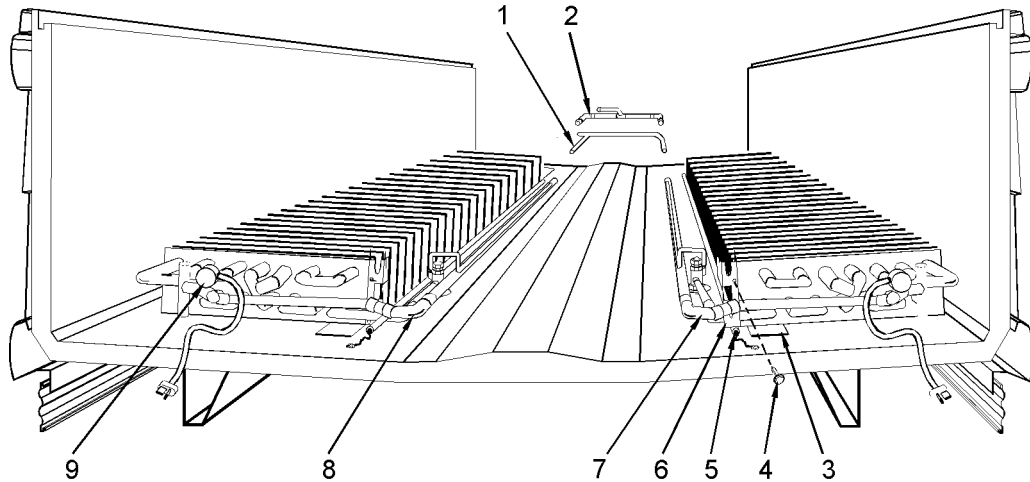


End Merchandiser

Item	Part No.	Qty.	Description
1	5963516	1	Coil & Fittings Assy
2	5120943	4	Screw
3	5057656	1	3" Plug Button
4	5963489	1	LH Coil Close-off
	5963488	1	RH Coil Close-off
5	5963573	1	Air Restrictor
6	5107190	160"	Ethofoam Gasket
7	5963574	1	Top Coil Cover
8	5120943	4	Screw
9	5228183	2	Inspection Cover
10	5120943	4	Screw
11	5183536	1	Screw
12	5224014	1	Heat Exchanger Support
13	5180826	1	Ty-Rap
14	5607405	1	Heat Exchanger Assy
15	5963514	1	Tubing Assy

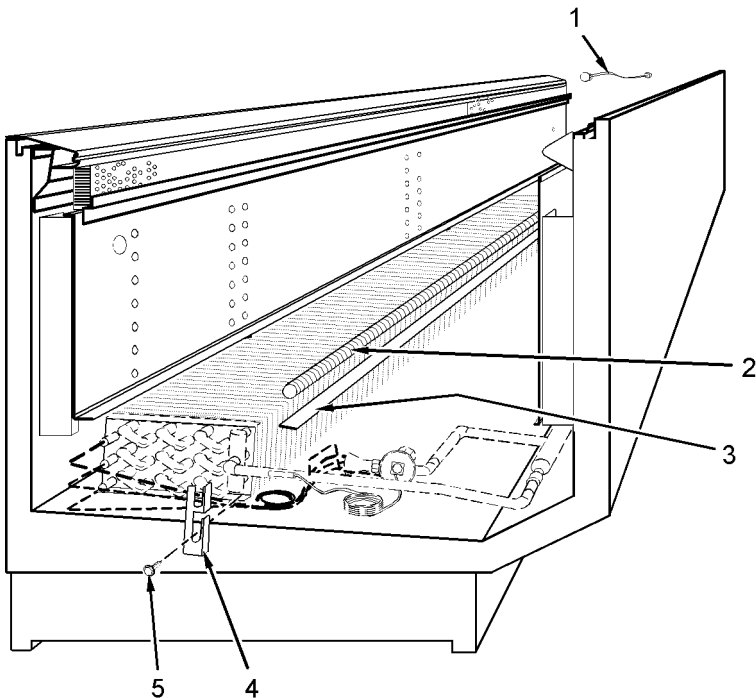


REFRIGERATION SYSTEM COMPONENTS - (CONT'D)
ELECTRIC DEFROST & TUBING - NFJ/NCJ/NTJ/NFJE/NCJE



8' and 12' Merchandiser

Item	Part No.	Quantity		Description	Item	Part No.	Quantity		Description
		8'	12'				8'	12'	
1	5216301	1	1	Liquid Line Crossover Assy (LFJ/LCJ only)	5960935	-	2	Defrost Heater	
2	5219699	1	1	Suction Line Crossover Assy (LFJ/LCJ only)	5216749	2	2	Defrost Heater Bracket	
3	5214667	2	-	Heat Shield	5193739	6	8	Defrost Heater Support	
	5214668	-	2	Heat Shield	5214681	1	-	Rr Heat Exchanger Assy	
4	5183536	14	18	Screw	5214682	-	1	Rr Heat Exchanger Assy	
	5960934	2	-	Defrost Heater	5214679	1	-	Frt Heat Exchanger Assy	
5	5960934	2	-	Defrost Heater	5214680	-	1	Frt Heat Exchanger Assy	
					5215211	2	2	Klixon Thermostat, 50/30	
					5145098	2	2	Thermostat Clip	
Options									
-	5191445	1	1	Opt Solenoid Valve	-	5191446	1	1	Opt Solenoid Valve
-	5200225	1	1	Opt Solenoid Valve	-	5227271	1	1	RH Hand Valve
-	5227272	1	1	LH Hand Valve	-	5227272	1	1	LH Hand Valve



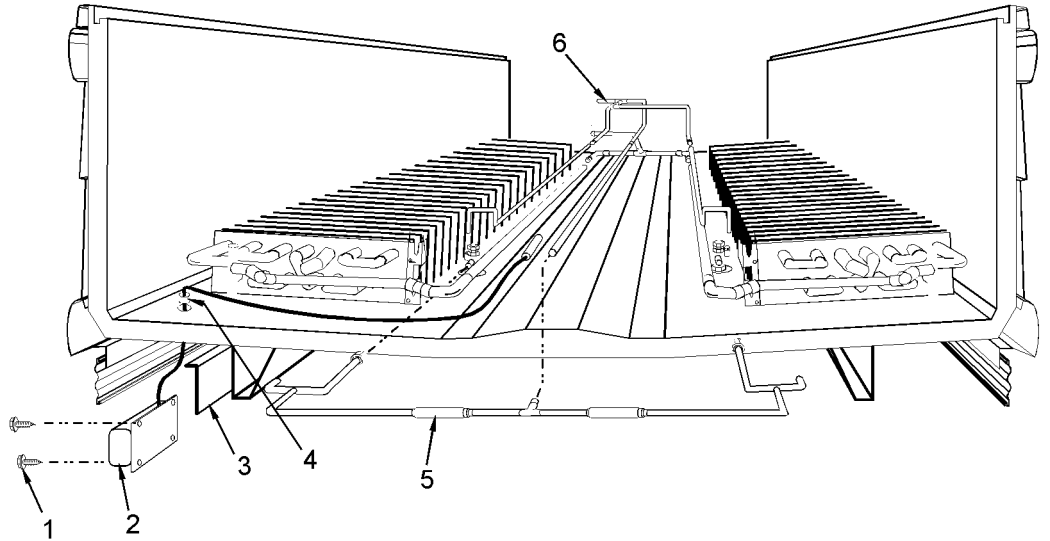
End Merchandiser

Item	Part No.	Qty.	Description
1	5125211	1	Klixon Thermostat, 50/30
	5145098	1	Thermostat Clip
2	5195710	1	Defrost Heater
3	5963507	1	Heat Shield
4	5193739	2	Defrost Heater Support
	5120943	4	Screw

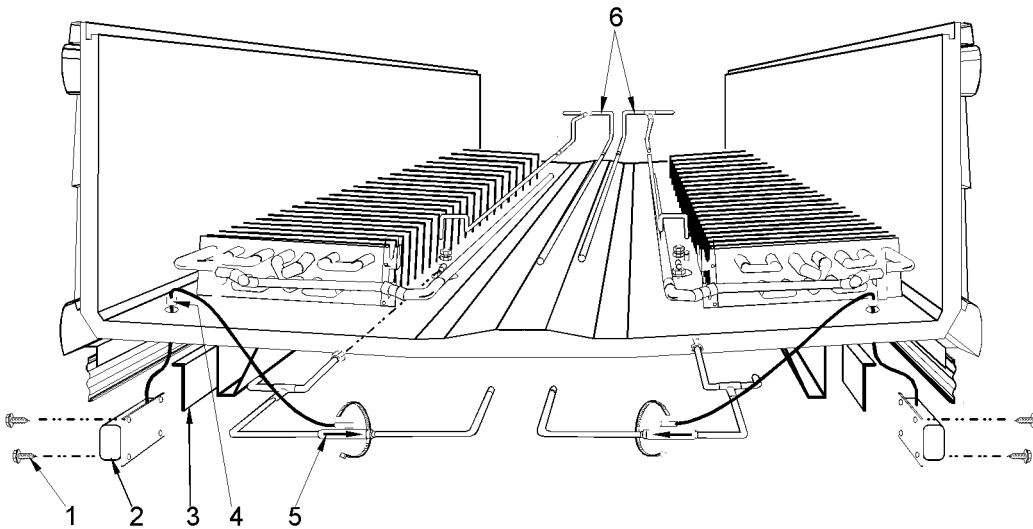


REFRIGERATION SYSTEM COMPONENTS - (CONT'D)
 OPTIONAL HOT GAS DEFROST

NFJ/NCJ



NTJ

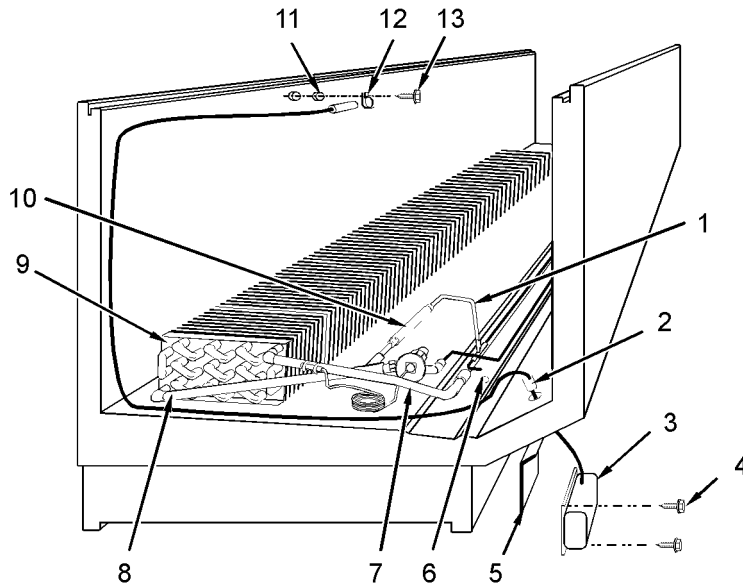


8' and 12' Merchandiser

Item	Part No.	Quantity		Description	Item	Part No.	Quantity		Description
		8'	12'				8'	12'	
1	5183536	4*	4*	Screw	5218065	2	-	Liquid Line (NTJ)	
2	5237789	1*	1*	Thermostat	5218066	-	2	Liquid Line (NTJ)	
3	5200442	1*	1*	Mounting Bracket	Options				
4	5198495	1*	1*	Plastic Pipe	-	5191445	1	1	Opt Solenoid Valve
	5149724	A/R	A/R	Silastic Sealer	-	5191446	1	1	Opt Solenoid Valve
5	5218067	1	1	Check Valve Assy (NFJ/NCJ)	-	5200225	1	1	Opt Solenoid Valve
	5218070	2	2	Check Valve Assy (NTJ)	-	5227271	1	1	RH Hand Valve
	5200228	2	2	Check Valve	-	5227272	1	1	LH Hand Valve
	5180826	2	2	Ty-Rap (NTJ)					
6	5218068	1	-	Liquid Line Assy (NFJ/NCJ)					
	5218072	1	1	Frt Liquid Line Assy (NTJ)					
	5218073	1	1	Rr Liquid Line Assy (NTJ)					
	5218069	-	1	Liquid Line (NFJ/NCJ)					



REFRIGERATION SYSTEM COMPONENTS - (CONT'D)
 OPTIONAL HOT GAS DEFROST - NFJE/NCJE

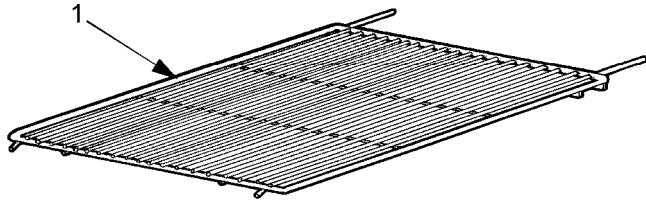


End Merchandiser

Item	Part No.	Qty.	Description	Item	Part No.	Qty.	Description
1	5228987	1	By-Pass Line	7	5240431	1	Suction Line Assy
2	5198495	1	Plastic Pipe	8	5240430	1	Tube, TXV to Coil
	5149724	A/R	Silastic Sealer	9	5240427	1	Coil & Fitting Assy
3	5237789	1	Thermostat	10	5200228	1	Check Valve
4	5183536	4	Screw	11	5127438	2	Nylon Spacer
5	5215132	1	Mounting Bracket	12	5618785	1	Clamp
6	5963524	1	Suction & Liquid Line Assy	13	5053985	1	Screw

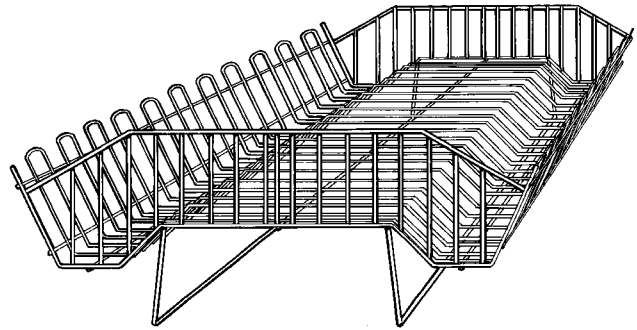


OPTIONAL CASE ACCESSORIES
SHELF SCREENS, SHELF BIN, BOTTOM BASKET, LOWER TRAYS
AND NITE COVER



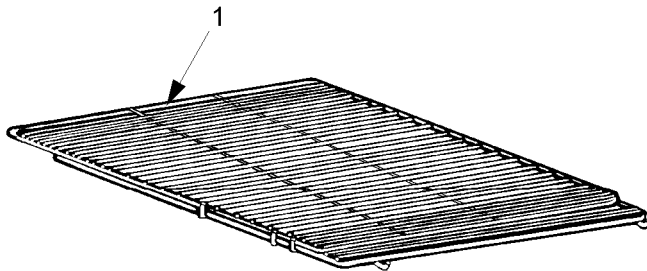
Standard Adjustable Screen

Item	Part No.	Quantity			Description
		8'	12'	End.	
*	5028128	2	-	-	Flat Adj Screen Set
*	5028129	-	2	-	Flat Adj Screen Set
*	5196026	-	-	1	Flat Adj Screen Set
1	5606170	4	6	-	Flat Adjustable Screen
1	5195897	-	-	3	Flat Adjustable Screen



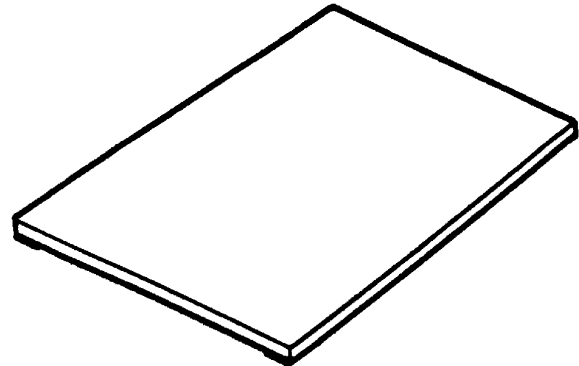
Optional Bottom Basket

Item	Part No.	Qty	Description
-	5645667	1	Bottom Basket



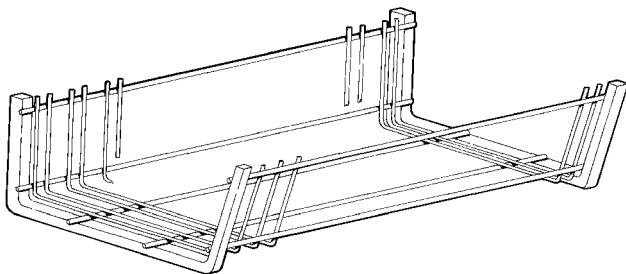
Optional Telescoping Screen

Item	Part No.	Quantity			Description
		8'	12'	End.	
*	5202929	2	-	-	Telescoping Screen Set
*	5202930	-	2	-	Telescoping Screen Set
1	5199443	4	6	-	Telescoping Screen



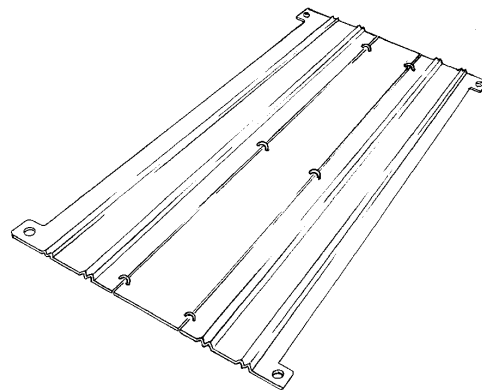
Optional Lower Tray

Item	Part No.	Quantity			Description
		8'	12'	End.	
-	5182031	8	12	-	Lower Insulated Tray 24" x 30 1/2"
-	5196022	-	-	3	Lower Insulated Tray 23 1/4" x 31 1/4"



Optional Wire Shelf Bin

Item	Part No.	Qty	Description
	5188198	1	Wire Shelf Bin

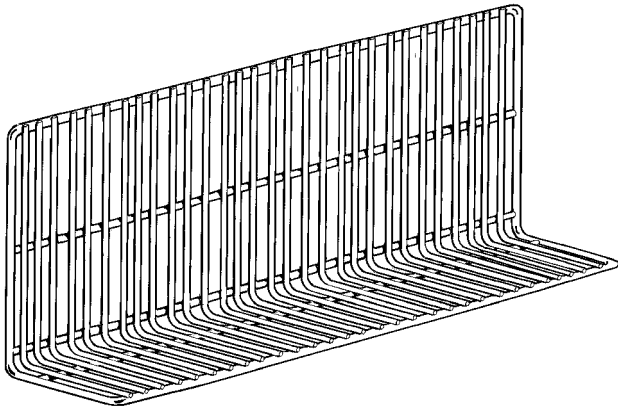


Optional Nite Cover

Item	Part No.	Quantity			Description
		8'	12'	End.	
-	5208185	2	3	-	Nite Cover

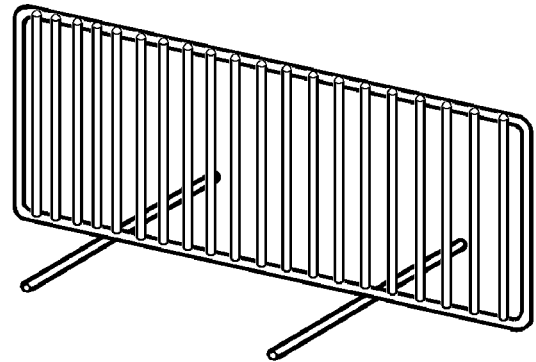


OPTIONAL CASE ACCESSORIES - (CONT'D)
SHELF AND BIN DIVIDERS



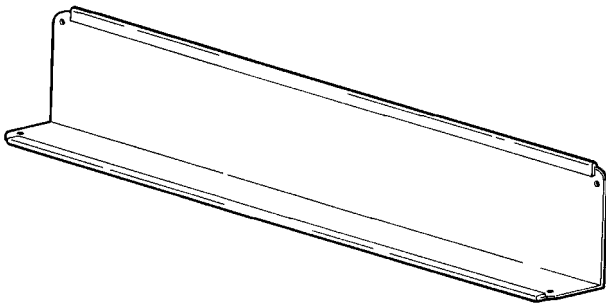
Optional "L" Wire Dividers

Item	Part No.	Quantity			Description
		8'	12'	End.	
*	5208304	1	-	-	"L" Wire Divider Set
*	5208305	-	1	-	"L" Wire Divider Set
*	5208303	-	-	1	"L" Wire Divider Set
-	5208276	4	6	3	"L" Wire Divider



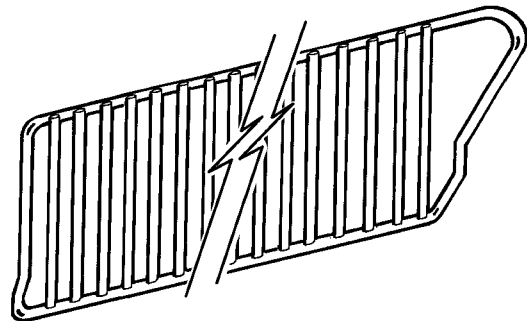
Optional "T" Wire Divider

Item	Part No.	Qty.	Description
-	5952101	1	"T" Wire Divider



Optional "L" Solid Divider

Item	Part No.	Qty.	Description
-	5638901	1	"L" Solid Divider

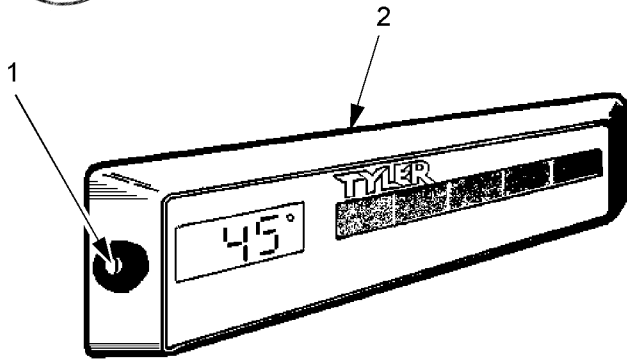


Optional Wire Shelf Bin Divider

Item	Part No.	Qty.	Description
-	5188224	1	Wire Shelf Bin Divider

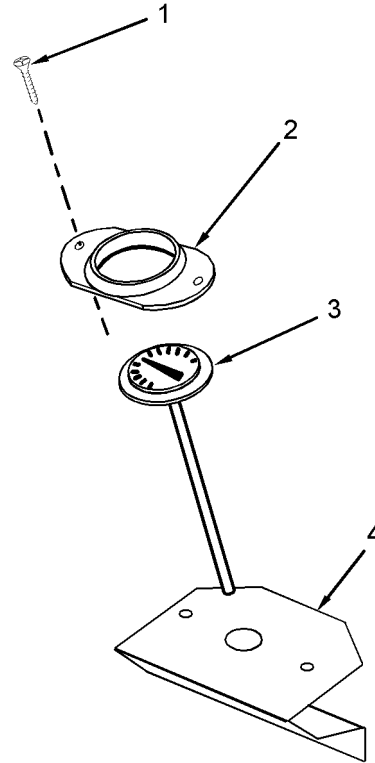


OPTIONAL CASE ACCESSORIES - (CONT'D) THERMOMETERS



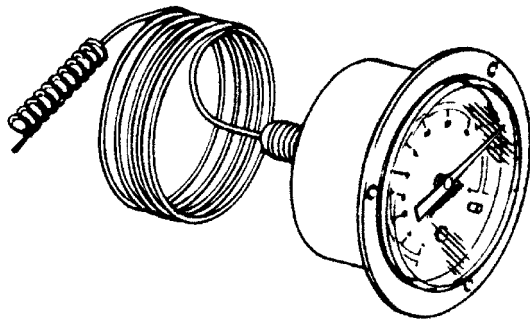
Digital Solar Thermometer

Item	Part No.	Qty.	Description
*	5980711	1	Thermometer Assembly
1	5185153	2	Screw
2	5239500	1	Digital Thermometer, F°
	5239501	1	Digital Thermometer, C°



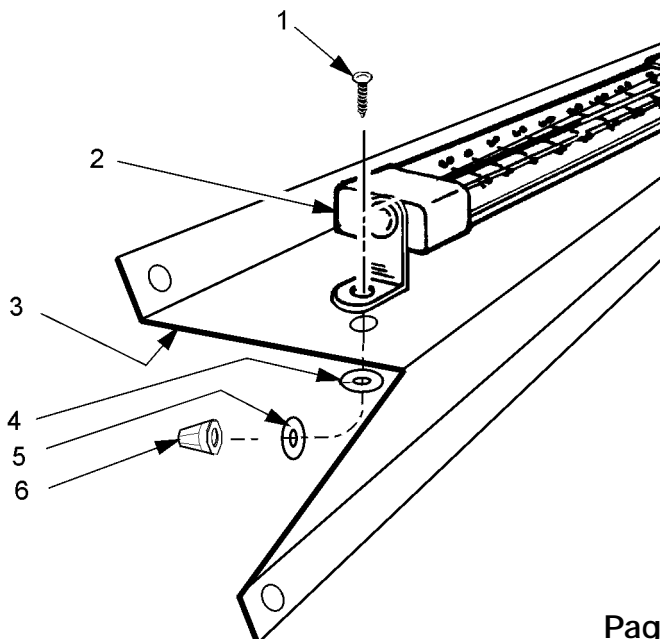
1" Dial Thermometer

Item	Part No.	Qty.	Description
*	5222970	1	Thermometer Assy (LFJ/LCJ/LTJ)
*	5219884	1	Thermometer Assy (LFJE/LCJE)
1	5319883	2	Screw
2	----	1	Mounting Ring (furnished with thermometer)
3	5203829	1	1" Dial Thermometer
4	5204471	1	Opt Thermometer Support (LFJE/LCJE only)



2" Dial Thermometer

Item	Part No.	Qty.	Description
-	5204006	1	2" Dial Thermometer

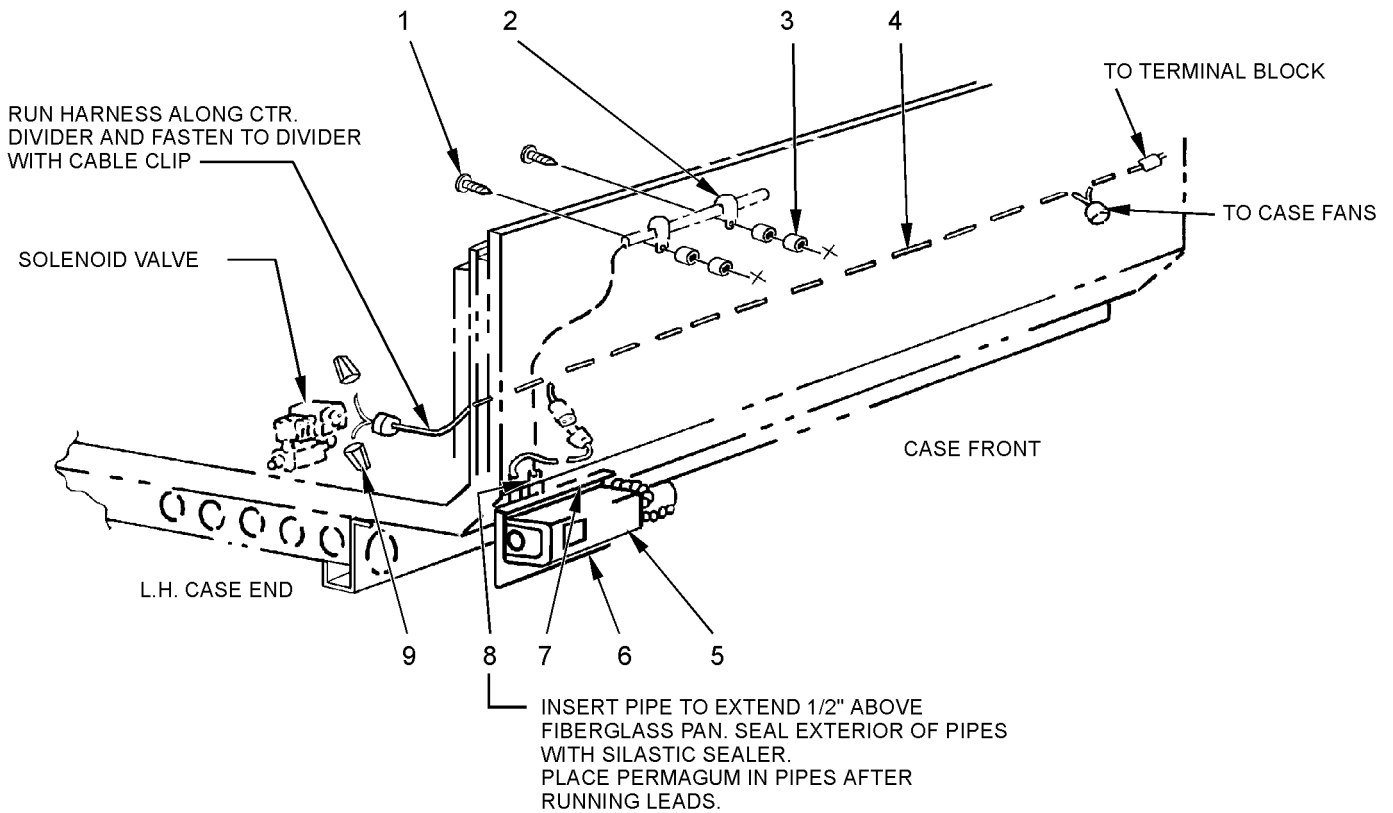


Standard Case Thermometer

Item	Part No.	Qty.	Description
*	9311587	1	Thermometer Assembly
1	9311125	2	Screw
1	9311125	2	Screw
2	5967100	1	Thermometer
3	9311239	1	Bracket
4	5103997	2	Lock Washer
5	5243597	2	Flat Washer
6	5223244	2	Acorn Nut



OPTIONAL CASE ACCESSORIES - (CONT'D) THERMOSTAT



Optional Thermostat (wired to solenoid valve)

Item	Part No.	Qty.	Description	Item	Part No.	Qty.	Description
*	5216805	1	Thermostat Assembly, Wired	6	5200442	1	Mounting Bracket
1	5053985	2	Screw	7	5120943	4	Screw
2	5106713	2	Tubing Clip	8	5198495	2	Plastic Pipe
3	5127438	4	Nylon Clip		5149724	A/R	Silastic Sealer
4	5216860	1	Harness, Solenoid/Thermostat		5100130	A/R	Permagum
5	5216235	1	Thermostat, Wired	9	5145679	2	Wire Nut