

NFJGCX, NCJGCX, NTJGCX, and NFMJGCX island merchandisers are wide-island aisle cases designed to merchandise frozen food, ice cream or medium temperature food items. Perimeter glass increases the product viewing area. In addition, the NTJGCX and NFMJGCX models also provide a split-coil in each well which offers the additional versatility of having a dual-temperature set up for multiple temperature product offerings.



Model NFJGCX with NFJGECX Island shown

Features & Benefits

- Energy-efficient copper tube and aluminum fin coils.
- 12" clear perimeter glass allows maximum product visibility.
- Durable, non-metallic corner protectors are available in colors to match bumpers.
- Solid steel base adds strength and durability.
- Easily removable interior components for quicker cleaning.
- Fan assembly design allows access to coil and drain pan.
- Dual-temperature split coils in each well (for model NTJGCX) allows merchandising of both frozen foods and ice cream. The NFMJGCX allows merchandising of frozen foods with medium temperature products.
- Labeled plug-n-play wiring speeds installation and setup.
- Electric defrost.

Options

- ECM fan motors for additional energy savings.
- Adjustable white powder-coated display screens enhance product presentation.
- Dual-temperature options are also available for NFJGCX and NFMJGCX merchandisers.
- Lighted superstructure shelving allows additional merchandising options for non-refrigerated products.
- Flat or wrap-around ends for end cases.
- Gas defrost.

Specifications are subject to engineering changes without notice.

Model	Case Length	Description	Capacity in Cubic Feet
NFJGCX	8' • 12'	Glass Front Frozen Food Jumbo Island, standard coil	49.8 • 74.7
NCJGCX	8' • 12'	Glass Front Ice Cream Jumbo Island, standard coil	49.8 • 74.7
NTJGCX	8' • 12'	Glass Front Frozen Food / Ice Cream Jumbo Island, std coil	49.8 • 74.7
NFMJGCX	8' • 12'	Glass Front Frozen Food / Med Temp Jumbo Island, std coil	49.8 • 74.7
NFJGECX	78-1/2"	Glass Front Frozen Food Island End, standard coil	17.5
NCJGECX	78-1/2"	Glass Front Ice Cream Island End, standard coil	17.5

Optional Accessories



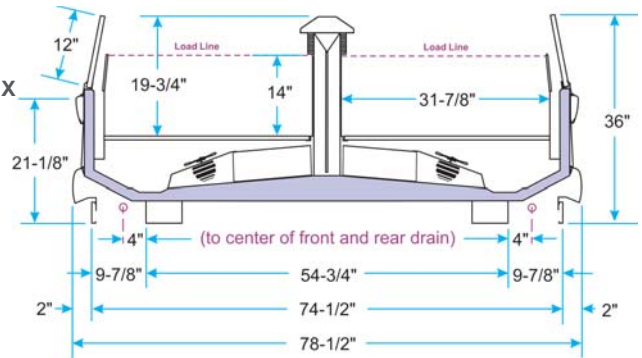
Lighted or non-lighted Center Riser Superstructures, available with or without shelving, provides more display area for non-refrigerated products.



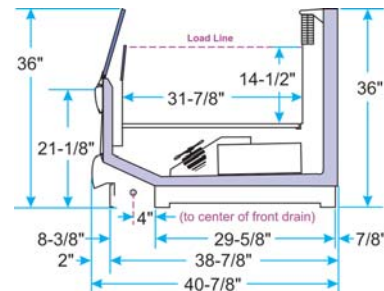
IN ACCORDANCE WITH NSF SANITATION PROCEDURES



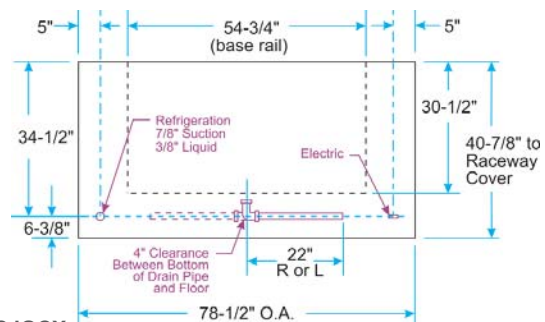
NFJGCX
NCJGCX
NTJGCX
NFMJGCX



NFJGECX
NCJGECX



NFJGECX
NCJGECX



NFJGCX, NCJGCX
NTJGCX, NFMJGCX

