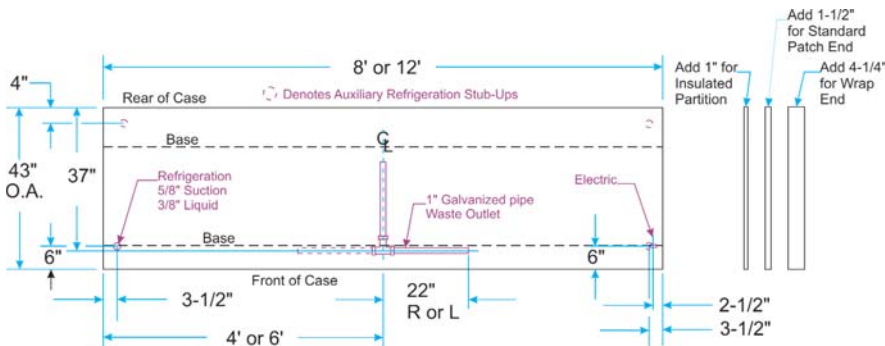
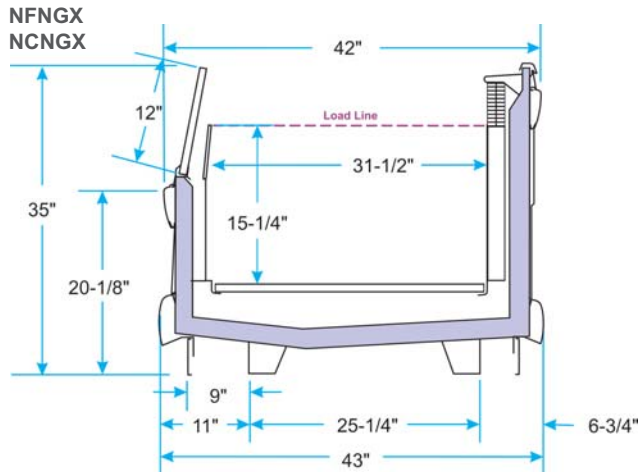
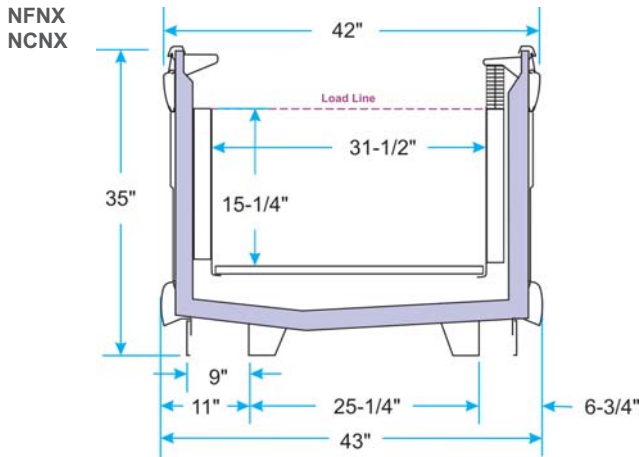


NFNX, NCNX, NFNGX, NCNGX



Model NFNX shown



NFNX, NCNX, NFNGX, and NCNGX island merchandisers provide a narrow 43" depth where floor space is limited. The NFNX and NFNGX can display frozen food or medium temperature products, while the NCNX and NCNGX are designed for either frozen foods or ice cream products.

Features & Benefits

- ♦ Energy-efficient copper tube and aluminum fin coils.
- ♦ The NFNGX and NCNGX have 12" clear front glass that enhances product visibility.
- ♦ Durable, non-metallic corner protectors are available in colors to match bumpers.
- ♦ Solid steel base adds strength and durability.
- ♦ Easily removable interior components for quicker cleaning.
- ♦ Fan assembly design allows access to coil and drain pan.
- ♦ Labeled plug-n-play wiring speeds installation and setup.
- ♦ Electric defrost.

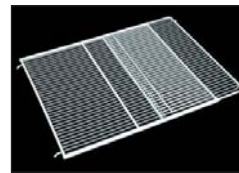
Options

- ♦ ECM fan motors for additional energy savings.
- ♦ Adjustable white powder-coated display screens enhance product presentation.
- ♦ Dual-temperature and medium temperature applications are available.
- ♦ Wrap-around ends with durable non-metallic corner protectors.
- ♦ Gas defrost.

Specifications are subject to engineering changes without notice.

Model	Case Length	Description	Capacity in Cubic Feet
NFNX NFNGX	8' • 12'	Solid or Glass Front Frozen Food Narrow Island, standard coil	26.7 • 40.0
NCNX NCNGX	8' • 12'	Solid or Glass Front Ice Cream Narrow Island, standard coil	26.7 • 40.0

Optional Accessories



Adjustable white powder-coated display screens allow merchandising without hampering case cooling.



Wrap-ends with protective corners are designed to match the cladding to the case's overall exterior.

Frozen Foods