

## SPECIFICATION SHEET

### NLBR LIFT FRONT CURVED GLASS REMOTE BAKERY MERCHANDISERS NLBN LIFT FRONT CURVED GLASS NON-REFRIGERATED BAKERY MERCHANDISERS

**Refrigeration Data:**

MODEL	CASE LENGTH	CASE USAGE	CAPACITY (BTUH / FT)		EVAPORATOR (°F)	UNIT SIZING (°F)	DISCHARGE AIR		AVG. REF. CHARGE (LBS/FT)
			PARALLEL	CONVENTIONAL			TEMPERATURE (°F)	VELOCITY (FPM)	
<b>NLBR</b>	59" / 77"	BAKERY	402*	439*	+27**	+25	+36	154***	0.22
<b>NLBN</b>	59" / 77"	BAKERY	N/A	N/A	N/A	N/A	N/A	N/A	N/A

- \* Capacity data listed for cases with 2 rows of T-8 top lights and optional lighted shelving.  
For sizing all refrigeration equipment other than TYLER, use conventional BTUH values.
- \*\* Evaporator temperature is based on the saturated pressure leaving the case.
- \*\*\* Air velocity measured 1 hour after defrost at the vertical part of the Rear Duct at the back of the Top Shelf.

FOR SPECIFIC COMPRESSOR SIZING INFORMATION, REFER TO TYLER APPLICATIONS FOR RACK SYSTEM COMPRESSORS AND/OR THE COMPRESSOR MANUFACTURERS FOR SINGLE COMPRESSORS. FOR LINE SIZING INFORMATION, REFER TO THE MISCELLANEOUS SECTION "BUFF" IN THE TYLER SPECIFICATION GUIDE.

**Electrical Data:**

Fans and Heaters (120 Volt)

MODEL	CASE LENGTH	FANS / CASE	TOTAL STANDARD FANS		TOTAL ECM FANS		ANTI-SWEAT HEATER	
			AMPS	WATTS	AMPS	WATTS	AMPS	WATTS
<b>NLBR</b>	59"	2	0.68	60.4	0.44	22.0	0.50	61.0
<b>NLBR</b>	77"	2	0.68	60.4	0.44	22.0	0.70	82.0
<b>NLBN</b>	59"	N/A	N/A	N/A	N/A	N/A	N/A	N/A
<b>NLBN</b>	77"	N/A	N/A	N/A	N/A	N/A	N/A	N/A

T-8 Lighting with Electronic Ballasts (120 Volt)

MODEL	CASE LENGTH	CANOPY LIGHTS		SHELF LIGHTS – PER ROW						MAXIMUM LIGHTING *	
		AMPS 2 ROWS	WATTS 2 ROWS	AMPS			WATTS			AMPS (5 ROWS)	WATTS (5 ROWS)
				1 ROW	2 ROWS	3 ROWS	1 ROW	2 ROWS	3 ROWS		
<b>NLB(R/N)</b>	59"	0.50	60.0	0.35	0.50	0.70	42.0	60.0	84.0	1.30	156.0
<b>NLB(R/N)</b>	77"	0.66	79.2	0.56	0.75	0.94	67.2	90.0	112.8	1.60	192.0

- \* For cases with 2 rows of canopy lights and 3 rows of shelf lights.

**Defrost Data:**

DEFROST TYPE	DEFROSTS PER DAY	DURATION TIME (MIN)	TERMINATION TEMP. (°F)	EPR SETTINGS *		DEFROST WATER (LB / FT / DAY)
				R22 (PSIG)	R404A (PSIG)	
TIME OFF – NLBR	6	20	----	51	65	N/A

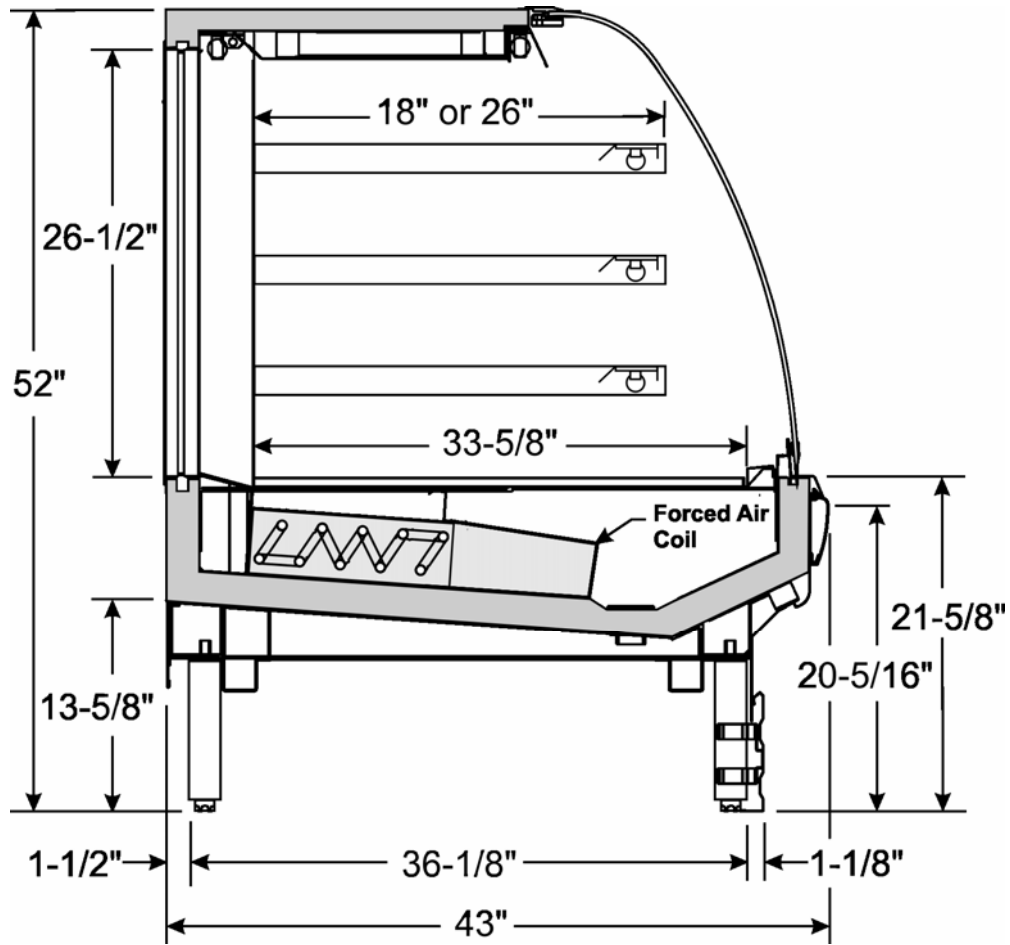
- \* Set EPR to give this pressure at the case.

**NSF CERTIFIED** to meet ANSI/NSF – 7.

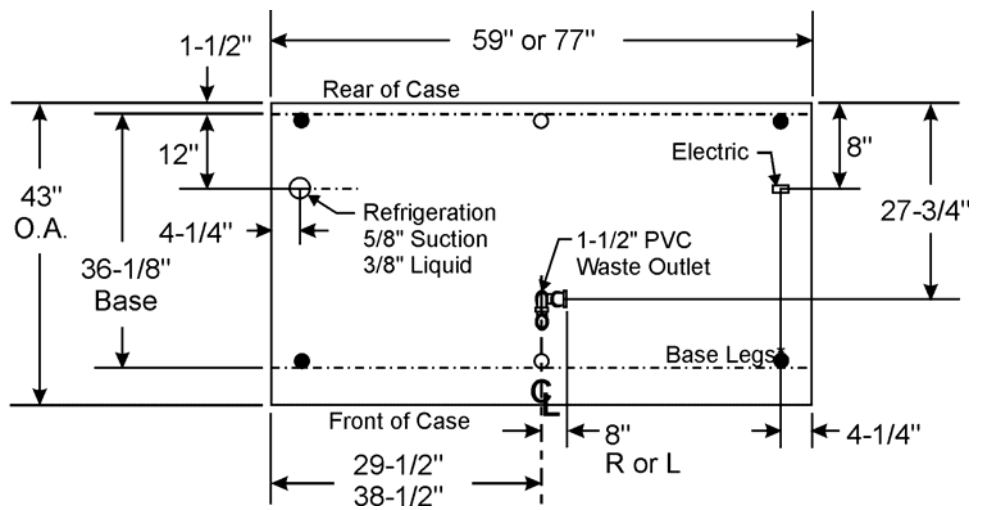
**CASE BTUH REQUIREMENTS** are calculated to produce approximately the indicated performance with absolute maximum operating ambient limits of **75°F & 55RH**.

The information contained herein is based on technical analysis and/or tests performed in a controlled lab environment that are consistent with industry practices, and is intended as a reference for system sizing and configuration purposes only and for use by persons having technical skill at their own discretion and risk. Conditions of use are outside of Tyler's control and we do not assume and hereby disclaim any liability for results obtained or damages incurred through application of or reliance on the data presented, including but not limited to specific energy consumption with any particular model or installed application. SPECIFICATIONS ARE SUBJECT TO CHANGE WITHOUT NOTICE.

**NLBR / NLBN CROSS SECTION**



**REMOTE & NON-REFRIGERATED FLOOR PLAN**



\* 59" Cases are Supported by Four - 1.5" Pipe Legs, while 77" Cases use Six - 1.5" Pipe Legs.

Add 1 1/2" for each Standard Patch End or 1" for each Insulated Partition.