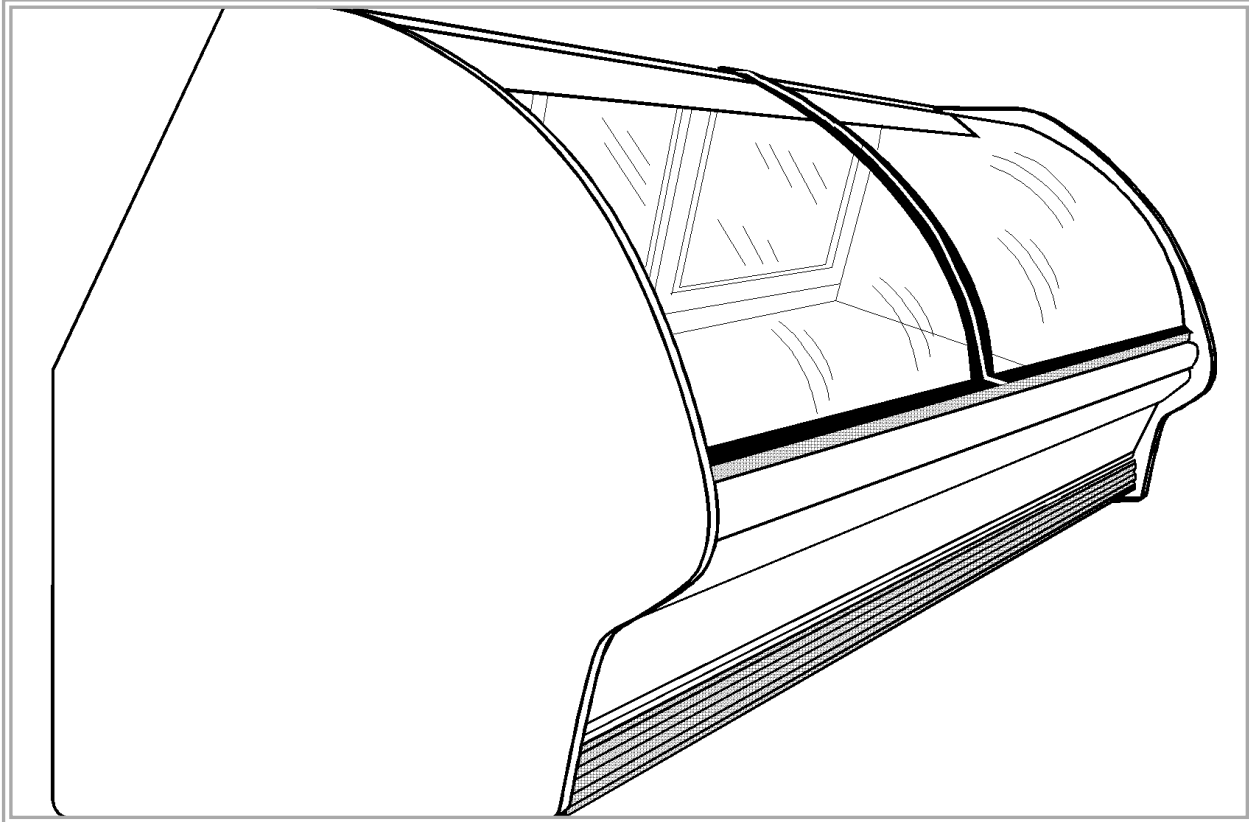


Replacement Parts **A**series Advantage



Curved Lift Front Glass Meat/Seafood/Deli Merchandiser

Production began OCTOBER 6, 2000

NLM • NLF • NLD

9000500	NLM6	Med-Temp	6' Lift Front Glass Meat Service Merchandiser
9000501	NLM8	Med-Temp	8' Lift Front Glass Meat Service Merchandiser
9000502	NLM12	Med-Temp	12' Lift Front Glass Meat Service Merchandiser
9000503	NLF6	Med-Temp	6' Lift Front Glass Seafood Service Merchandiser
9000504	NLF8	Med-Temp	8' Lift Front Glass Seafood Service Merchandiser
9000505	NLF12	Med-Temp	12' Lift Front Glass Seafood Service Merchandiser
9000506	NLD6	Med-Temp	6' Lift Front Glass Deli Service Merchandiser
9000507	NLD8	Med-Temp	8' Lift Front Glass Deli Service Merchandiser
9000508	NLD12	Med-Temp	12' Lift Front Glass Deli Service Merchandiser



Issue date: OCTOBER 2000

Replaces issue:

Part number: 9037181

Revision:

Tyler Refrigeration Corporation Niles, MI 49120
Parts information subject to change without notice
Printed in U.S.A.



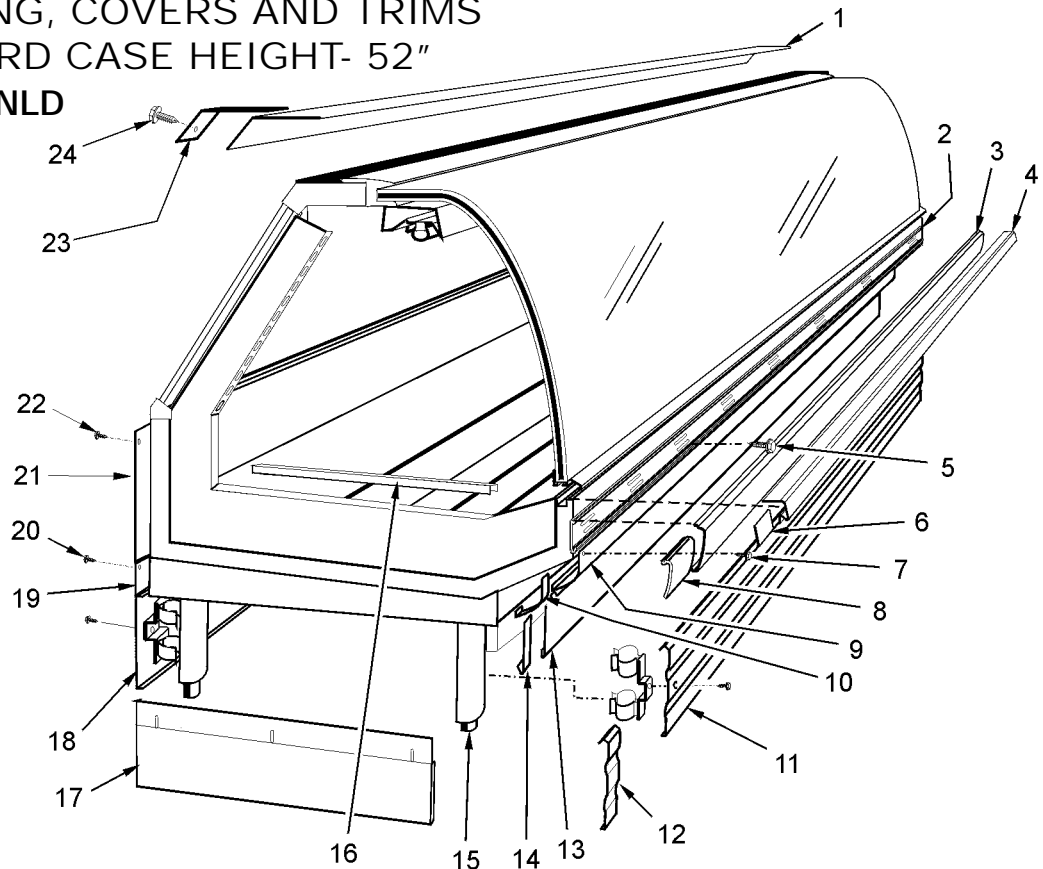
CONTENTS

	<u>Page</u>
Cladding, Covers and Trims	C1-C5
Structural Components	
Curved Lift Front Glass	S1
Rear Doors & Rear Mullion Covers	S2
Inside Rear Mullion Covers	S3, S4
Ducts and Z-Bars	S5, S6
Patch Ends, Partitions and Dividers	
Solid Patch Ends	S7
Solid Patch Ends with Glass	S8
1" Solid Partitions	S9
Electrical System Components	
Wiring Harnesses	
Wiring and Components	E1
Fan Systems	E2
Top Lights	E3, E4
Refrigeration System Components	
Coil Assemblies	R1-R3
Optional Case Accessories	
Shelf Assemblies	A1-A5
Screens, Fences, and Trays	A6-A8
Thermometers	A9-A10



CLADDING, COVERS AND TRIMS STANDARD CASE HEIGHT- 52"

NLM/NLF/NLD



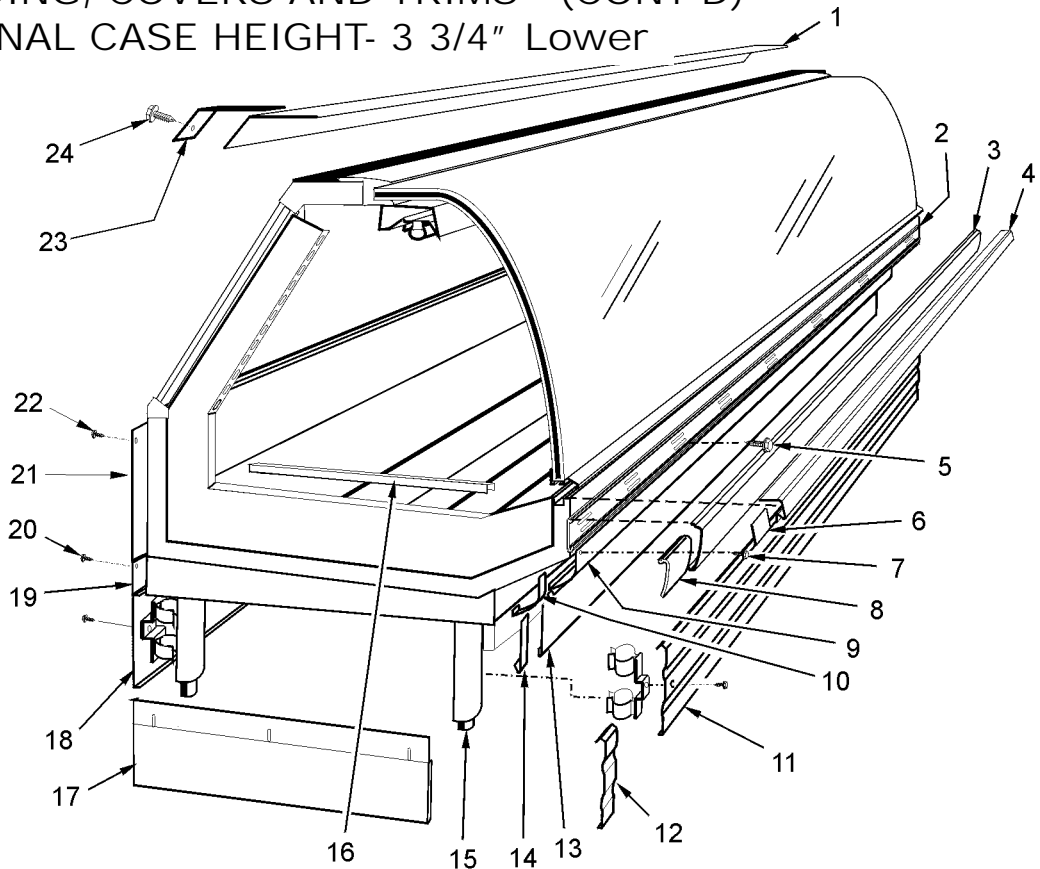
6', 8' and 12' Merchandiser

Item	Part No.	Quantity.			Description	Item	Part No.	Quantity.			Description
		6'	8'	12'				6'	8'	12'	
1	5240129	1	-	-	Rear Top Cladding-BRT/SS	13	9043822	1	-	-	LWR FR Cladding, Ptd.-52"
	5240130	-	1	-	Rear Top Cladding-BRT/SS		9043823	-	1	-	LWR FR Cladding, Ptd.-52"
	5240131	-	-	1	Rear Top Cladding-BRT/SS		9043824	-	-	1	LWR FR Cladding, Ptd.-52"
2	9025052	1	-	-	Bumper RTNR-Misty Gray	14	9044273	1	1	1	LWR FR CLDG JT Trim-52"
	9025058	-	1	-	Bumper RTNR-Misty Gray		9029415	4	4	4	Screw
	9025061	-	-	1	Bumper RTNR-Misty Gray		9043892	1	1	1	LWR FR CLDG End Trim-52"
3	+	1	1	1	Bumper		9024814	2	2	2	Screw
4	9025232	1	-	-	Color Band, Ptd.	15	9024894	6	6	8	Pipe Legs- 9 3/4"
	9025233	-	1	-	Color Band, Ptd.	16	9037279	1	1	1	LWR JT Cover
	9025234	-	-	1	Color Band, Ptd.	17	9043066	1	1	1	LH Base End Close-off
5	9025833	12	16	20	Screw		9024986	1	1	1	RH Base End Close-off
6	9025654	1	1	1	Color Band Backer, Ptd.		5208265	3	3	3	Screw
7	5183536	8	10	14	Screw		5243597	3	3	3	Flat Washer
8	+	1	1	1	Bumper Backer		5100661	3	3	3	Nut
9	9024922	1	-	-	UPR Front Cladding, Ptd.	18	9024934	1	-	-	RR Base Close-off Assy.-52"
	9024923	-	1	-	UPR Front Cladding, Ptd.		9024935	-	1	-	RR Base Close-off Assy.-52"
	9024924	-	-	1	UPR Front Cladding, Ptd.		9024936	-	-	1	RR Base Close-off Assy.-52"
10	9043829	1	1	1	UPR FR CLDG JT Trim	19	9024929	1	-	2	Rear Rail Cover-6'
	9029415	4	4	4	Screw		9024928	-	2	-	Rear Rail Cover-4'
	9043828	1	1	1	UPR FR CLDG End Trim	20	9043080	16	24	32	Screw
	9024814	2	2	2	Screw	21	9024770	1	-	-	Lower Rear Shell Cover
11	9024937	1	-	-	Kickplate Assy.-52"		9024771	-	1	-	Lower Rear Shell Cover
	9024938	-	1	-	Kickplate Assy.-52"		9024772	-	-	1	Lower Rear Shell Cover
	9024939	-	-	1	Kickplate Assy.-52"	22	9024814	6	7	12	Screw
12	9043816	1	1	1	Kickplate Joint Trim	23	5234827	1	1	1	Top Joint Trim
	5619204	4	4	4	Screw	24	5199134	4	4	4	Screw

+ See pages C3 thru C5 for parts breakdown per color.



CLADDING, COVERS AND TRIMS - (CONT'D)
 OPTIONAL CASE HEIGHT- 3 3/4" Lower



6', 8' and 12' Merchandiser

Item	Part No.	Quantity.			Description	Item	Part No.	Quantity.			Description
		6'	8'	12'				6'	8'	12'	
1	5240129	1	-	-	Rear Top Cladding-BRT/SS						
	5240130	-	1	-	Rear Top Cladding-BRT/SS	13	9043825	1	-	-	LWR FR Cladding, Ptd.-48"
	5240131	-	-	1	Rear Top Cladding-BRT/SS		9043826	-	1	-	LWR FR Cladding, Ptd.-48"
2	9025052	1	-	-	Bumper RTNR-Misty Gray		9043827	-	-	1	LWR FR Cladding, Ptd.-48"
	9025058	-	1	-	Bumper RTNR-Misty Gray	14	9044274	1	1	1	LWR FR CLDG JT Trim-48"
	9025061	-	-	1	Bumper RTNR-Misty Gray		9029415	4	4	4	Screw
3	+	1	1	1	Bumper		9043890	1	1	1	LWR FR CLDG End Trim-48"
4	9025232	1	-	-	Color Band, Ptd.		9024814	2	2	2	Screw
	9025233	-	1	-	Color Band, Ptd.	15	9024893	4	4	4	Pipe Legs- 6"
	9025234	-	-	1	Color Band, Ptd.	16	9037279	1	1	1	LWR JT Cover
5	9025833	12	16	20	Screw	17	9024980	1	1	1	Base End Close-off-48"
6	9025654	1	1	1	Color Band Backer, Ptd.		5208265	3	3	3	Screw
7	5183536	8	10	14	Screw		5243597	3	3	3	Flat Washer
8	+	1	1	1	Bumper Backer		5100661	3	3	3	Nut
9	9024922	1	-	-	UPR FR Cladding, Ptd.	18	9024963	1	-	-	RR Base Close-off Assy.,-48"
	9024923	-	1	-	UPR FR Cladding, Ptd.		9024964	-	1	-	RR Base Close-off Assy.,-48"
	9024924	-	-	1	UPR FR Cladding, Ptd.		9024965	-	-	1	RR Base Close-off Assy.,-48"
	9043829	1	1	1	UPR FR CLDG JT Trim		9040548	16	20	24	Screw
	9029415	4	4	4	Screw	19	9024929	1	-	2	Rear Rail Cover-6'
	9043828	1	1	1	UPR FR CLDG End Trim		9024928	-	2	-	Rear Rail Cover-4'
	9024814	2	2	2	Screw	20	9043080	16	24	32	Screw
10	5183536	3	4	4	Screw	21	9024770	1	-	-	Lower Rear Shell Cover
11	9024974	1	-	-	Kickplate Assy.-48"		9024771	-	1	-	Lower Rear Shell Cover
	9024975	-	1	-	Kickplate Assy.-48"		9024772	-	-	1	Lower Rear Shell Cover
	9024976	-	-	1	Kickplate Assy.-48"	22	9024814	6	7	12	Screw
	5183536	6	8	8	Screw	23	5234827	1	1	1	Top Joint Trim
13	9043816	1	1	1	Kickplate Joint Trim	24	5199134	4	4	4	Screw

+ See pages C3 thru C5 for parts breakdown per color.



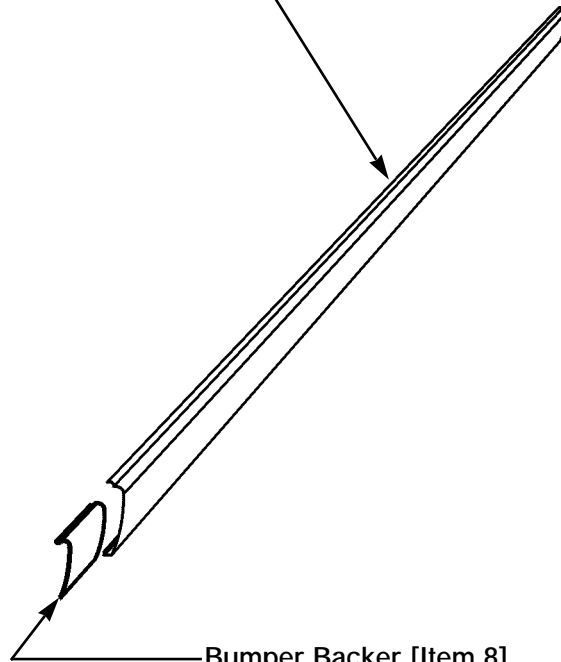
CLADDING, COVERS AND TRIMS - (CONT'D)
 NLM/NLF/NLD - 6'

**Bumper [Item 3]
 Without Partition
 (72.312"):**

Part No.	Color
9025031	White
9025261	Bone White
9025282	Misty Gray
9025303	Pearl
9025324	Oatmeal
9025345	Soft Sand
9025366	Chromium
9025387	Cool Gray
9025408	Oyster
9025429	Black
9026501	Pearly Gates
9028899	Steel Gray
9031680	Chocolate
9031717	Mocha
9031754	Stone
9029494	Cherry Red
9044002	Teal

**With Partition
 (73.312"):**

Part No.
9027159
9027160
9027161
9027162
9027163
9027164
9027165
9027166
9027167
9027168
9029331
9028901
9031682
9031719
9031756
9029496



Bumper Backer [Item 8]

Part No.	Color
9025023	White
9025028	Bone White
9025035	Misty Gray
9025038	Pearl
9025041	Oatmeal
9025079	Pearly Gates
9025253	Soft Sand
9025258	Chromium
9025265	Cool Gray
9025268	Oyster
9025271	Black
9028883	Steel Gray
9031884	Chocolate
9031885	Mocha
9031886	Stone
9029581	Cherry Red
9044004	Teal



CLADDING, COVERS AND TRIMS - (CONT'D)

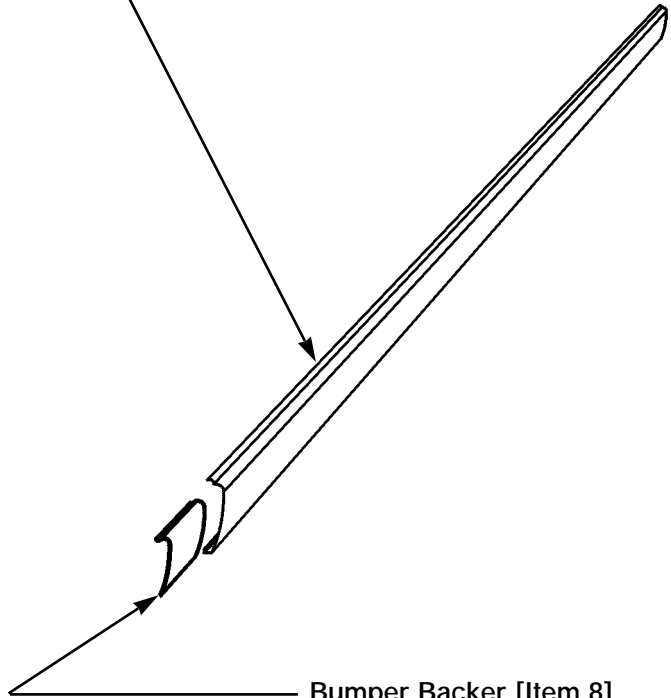
NLM/NLF/NLD - 8'

**Bumper [Item 3]
Without Partition
(96.437"):**

Part No.	Color
9025037	White
9025267	Bone White
9025288	Misty Gray
9025309	Pearl
9025330	Oatmeal
9025351	Soft Sand
9025372	Chromium
9025393	Cool Gray
9025414	Oyster
9025435	Black
9028906	Steel Gray
9029335	Pearly Gates
9031688	Chocolate
9031725	Mocha
9031762	Stone
9029502	Cherry Red
9044003	Teal

**With Partition
(97.437"):**

Part No.
9027189
9027190
9027191
9027192
9027193
9027194
9027195
9027196
9027197
9027198
9028908
9029337
9031690
9031727
9031764
9029504



Bumper Backer [Item 8]

Part No.	Color
9025023	White
9025028	Bone White
9025035	Misty Gray
9025038	Pearl
9025041	Oatmeal
9025079	Pearly Gates
9025253	Soft Sand
9025258	Chromium
9025265	Cool Gray
9025268	Oyster
9025271	Black
9028883	Steel Gray
9031884	Chocolate
9031885	Mocha
9031886	Stone
9029581	Cherry Red
9044004	Teal



CLADDING, COVERS AND TRIMS - (CONT'D)

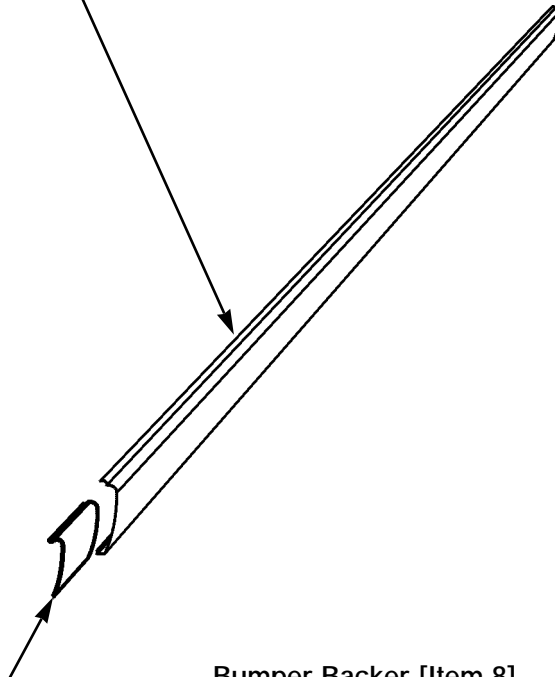
NLM/NLF/NLD - 12'

**Bumper [Item 3]
Without Partition
(144.562"):**

Part No.	Color
9025040	White
9025069	Pearly Gates
9025270	Bone White
9025291	Misty Gray
9025312	Pearl
9025333	Oatmeal
9025354	Soft Sand
9025375	Chromium
9025396	Cool Gray
9025417	Oyster
9025438	Black
9028913	Steel Gray
9031969	Chocolate
9031733	Mocha
9031770	Stone
9029510	Cherry Red

**With Partition
(145.562"):**

Part No.
9027209
9029341
9027210
9027211
9027212
9027213
9027214
9027215
9027216
9027217
9027218
9028915
9031698
9031735
9031772
9029512

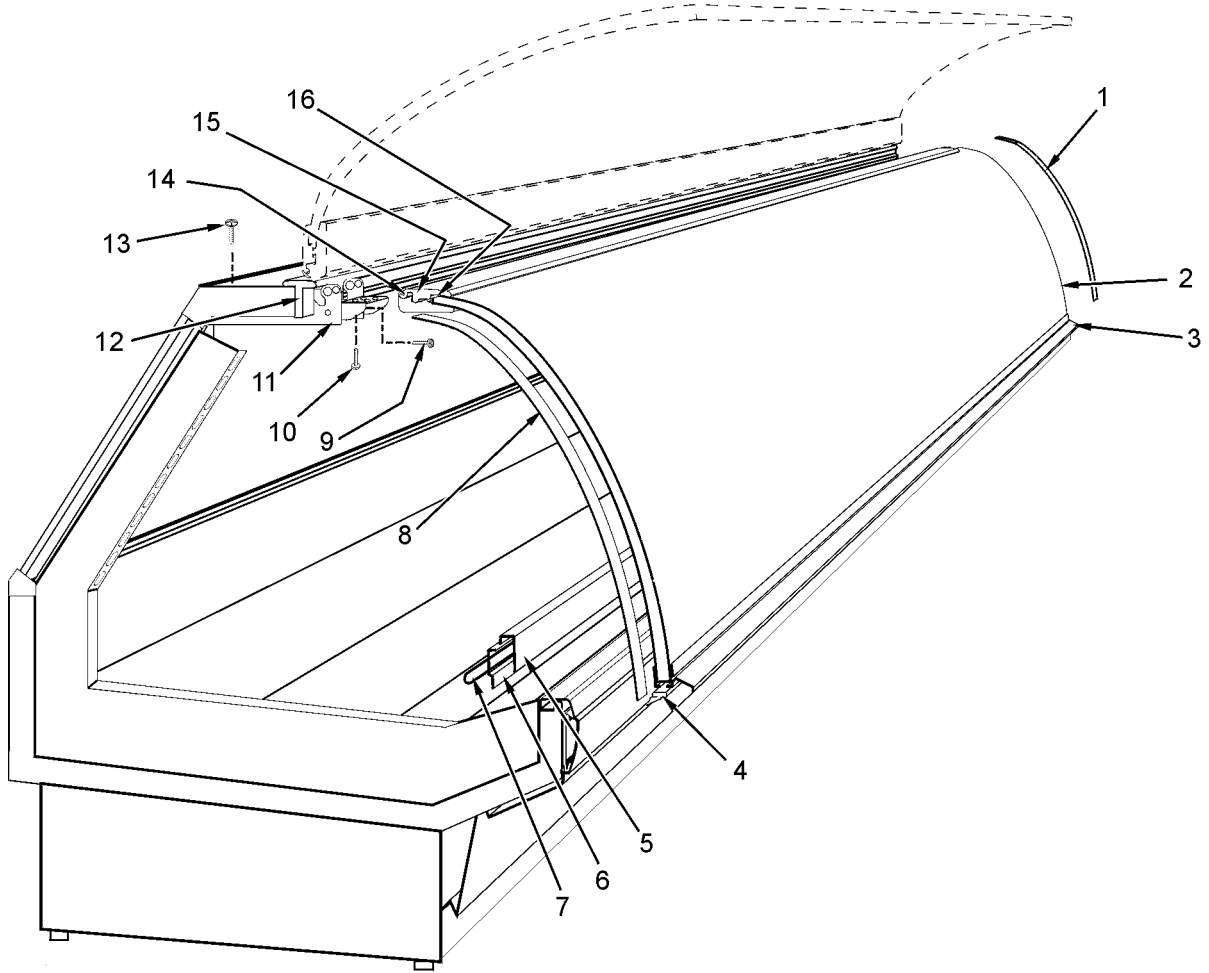


Bumper Backer [Item 8]

Part No.	Color
9025023	White
9025028	Bone White
9025035	Misty Gray
9025038	Pearl
9025041	Oatmeal
9025079	Pearly Gates
9025253	Soft Sand
9025258	Chromium
9025265	Cool Gray
9025268	Oyster
9025271	Black
9028883	Steel Gray
9031884	Chocolate
9031885	Mocha
9031886	Stone
9029581	Cherry Red
9044004	Teal



**STRUCTURAL COMPONENTS
CURVED LIFT FRONT GLASS - NLM/NLF/NLD**

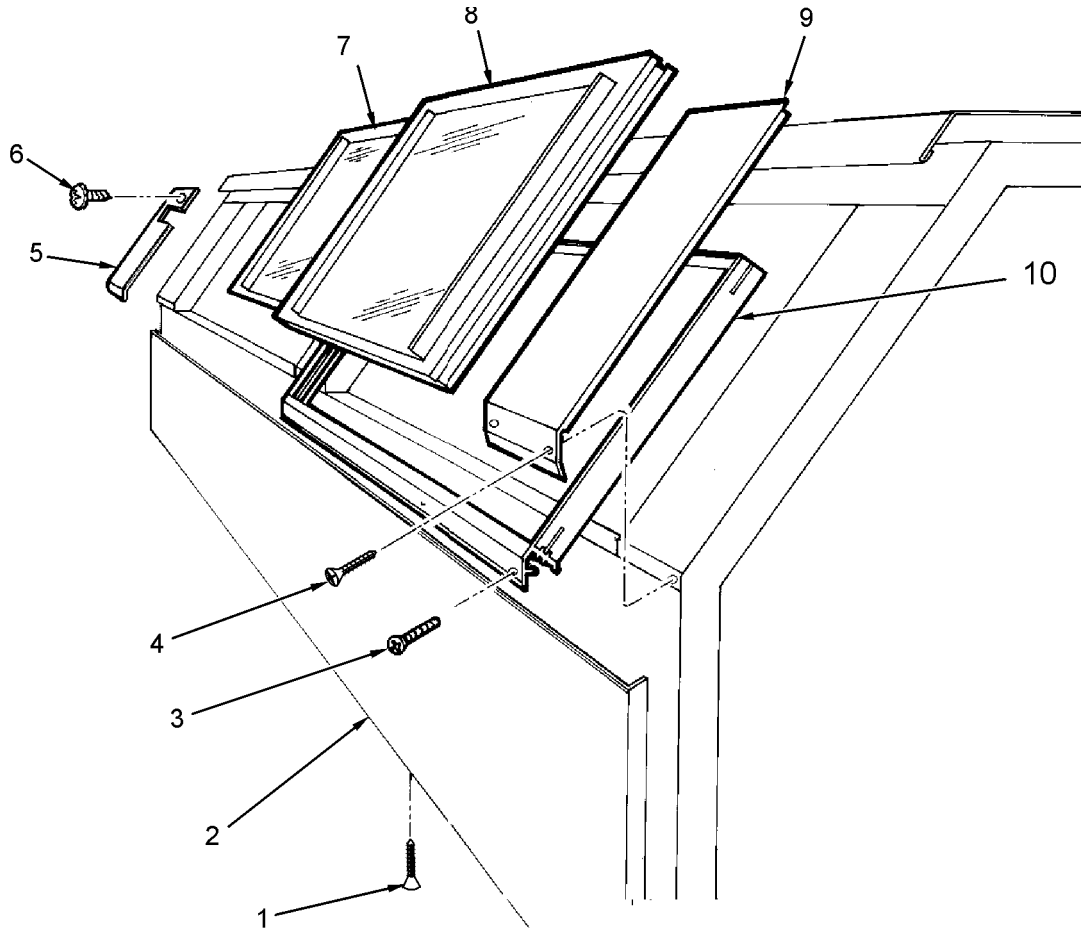


6', 8' and 12' Merchandiser

Item	Part No.	Quantity.			Description	Item	Part No.	Quantity.			Description
		6'	8'	12'				6'	8'	12'	
1	5246375	1	2	2	1/2" Glass Seal, RH	8	5246376	1	2	2	5/8" Glass Seal, LH
2	5243984	1	-	2	Lift Glass	9	9029131	3	4	6	Screw
	5243743	-	2	-	Lift Glass	10	9040294	12	16	24	Screw
3	5239525	1	-	2	Lift Glass Handle	11	5241754	3	4	6	Hinge
	5243750	-	2	-	Lift Glass Handle	12	5241758	1	-	-	Top Shelf Trim
4	5239528	A/R	A/R	A/R	Gasket		5241759	-	1	-	Top Shelf Trim
5	9024904	1	-	-	Glass Support		5241760	-	-	1	Top Shelf Trim
	9024905	-	1	-	Glass Support	13	5246716	12	16	24	Screw
	9024906	-	-	1	Glass Support	14	5244413	1	2	2	Top Hinge Gasket
	9024814	6	10	12	Screw	15	5243700	1	-	2	Upper Clamp
6	5244915	1	-	-	Heater Wire Cover		5243699	-	2	-	Upper Clamp
	5244916	-	1	-	Heater Wire Cover		5243703	1	-	2	Lower Clamp
	5244917	-	-	1	Heater Wire Cover		5243702	-	2	-	Lower Clamp
	5048626	6	10	12	Screw	16	5244413	4'	6'	6'	Glass Top Gasket
7	5234596	1	-	-	Heater Wire-12 ohm/ft						
	5124818	-	1	-	Heater Wire-8 ohm/ft						
	5124819	-	-	1	Heater Wire-4 ohm/ft						



STRUCTURAL COMPONENTS - (CONT'D)
 REAR DOORS & OUTSIDE MULLION COVERS - NLM/NLF/NLD

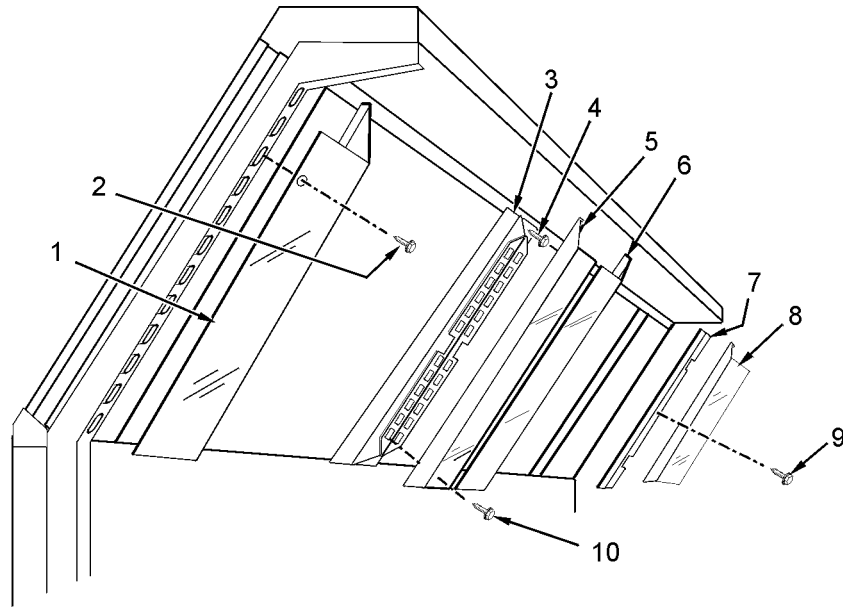


6', 8' and 12' Merchandiser

Item	Part No.	Quantity.			Description	Item	Part No.	Quantity.			Description
		6'	8'	12'				6'	8'	12'	
1	9043080	4	6	8	Screw	7	5232807	1	-	-	Inside Rear Door
2	9024770	1	-	-	LWR RR Shell Cover		5232808	-	2	3	Inside Rear Door
	9024771	-	1	-	LWR RR Shell Cover	8	5232811	1	-	-	Outside Rear Door
	9024772	-	-	1	LWR RR Shell Cover		5232812	-	2	3	Outside Rear Door
3	5237681	18	32	48	Screw	9	9410606	1	1	1	End Mullion Cover w/o Opening
4	9043080	2	2	2	Screw		9043080	4	4	4	Screw
5	9410607	1	1	1	RH End Mullion Cover w/Opening	10	5233082	1	-	-	Door Frame
6	9043080	4	4	4	Screw		5232987	-	2	3	Door Frame
	9410608	-	-1	1	Center Mullion Cover w/Opening		5233658	-	4	6	Shim
	9043080	4	4	4	Screw						



STRUCTURAL COMPONENTS - (CONT'D)
INSIDE MULLION COVERS - NLM/NLF

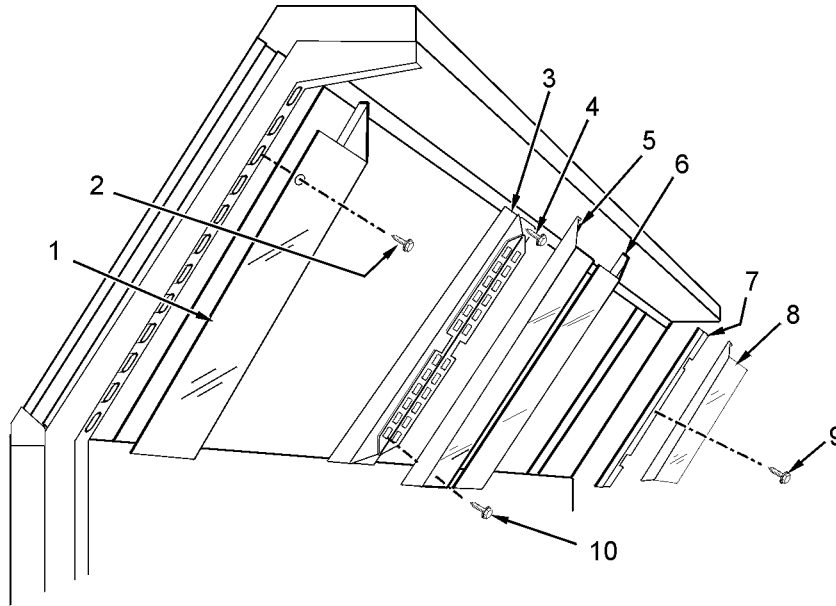


6', 8' and 12' Merchandiser

Item	Part No.	Quantity.			Description	Item	Part No.	Quantity.			Description
		6'	8'	12'				6'	8'	12'	
1	5240049	1	1	1	LH Mullion Cover	7	5233390	2	2	2	Mullion Cover Retainer
2	9024814	3	3	3	Screw	8	9025931	1	-	-	RH End Mullion Cover
3	5240005	-	1	2	Center Upright Weld Assy.		9025930	-	1	1	RH End Mullion Cover
4	1309067	-	4	8	Screw		9024814	3	3	3	Screw
5	9025929	-	1	1	Center LH Mullion Cover	9	9023806	6	6	6	Screw
	9025928	-	-	1	Center LH Mullion Cover	10	9024814	-	6	12	Screw
6	5240054	-	1	-	Center RH Mullion Cover						
	5240050	-	-	1	Center RH Mullion Cover						
	5240058	-	-	1	Center RH Mullion Cover						



STRUCTURAL COMPONENTS - (CONT'D)
INSIDE MULLION COVERS - NLD

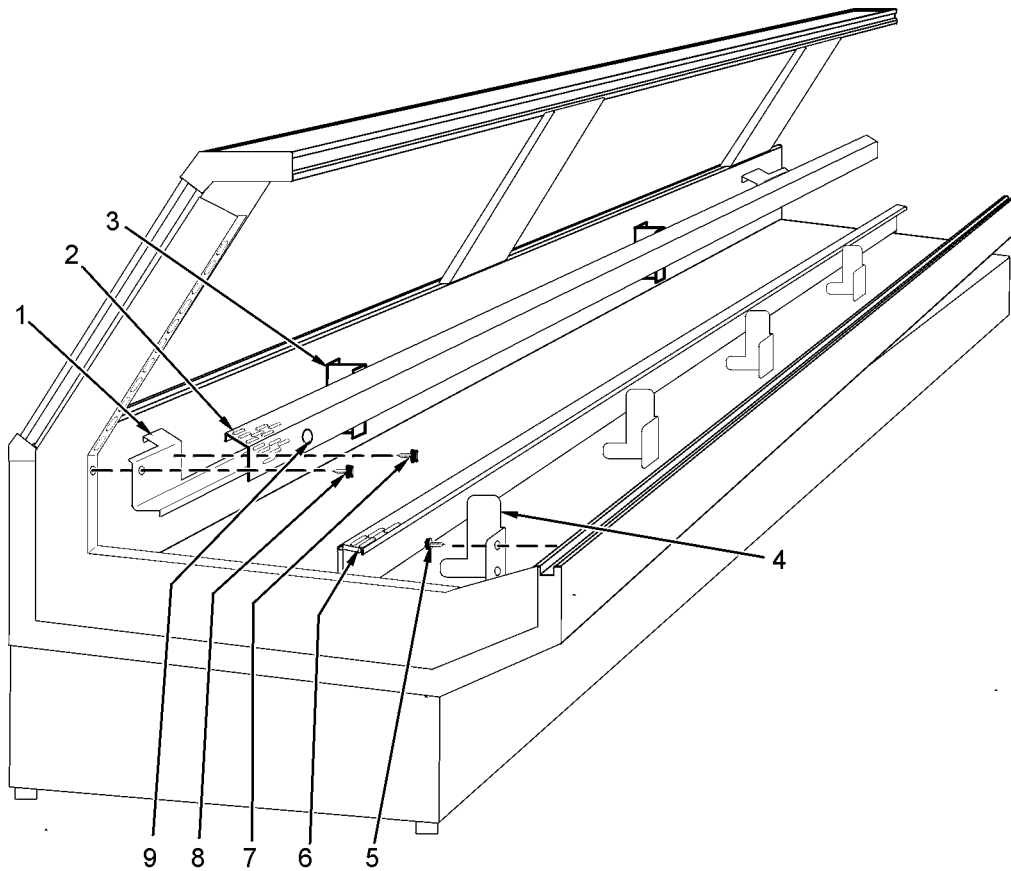


6', 8' and 12' Merchandiser

Item	Part No.	Quantity.			Description	Item	Part No.	Quantity.			Description
		6'	8'	12'				6'	8'	12'	
1	5240049	1	1	1	LH Mullion Cover	7	5233390	2	2	2	Mullion Cover Retainer
2	9024814	3	3	3	Screw	8	9025933	1	1	1	RH End Mullion Cover
3	5240005	-	1	2	Center Upright Weld Assy.	9	9024814	3	3	3	Screw
4	1309067	-	4	8	Screw	9	9023806	6	6	6	Screw
5	9025934	-	1	1	CTR LH Mullion Cover.	10	9024814	-	6	12	Screw
	9025932	-	-	1	CTR LH Mullion Cover						
6	5240058	-	1	1	CTR RH Mullion Cover						
	5240052	-	-	1	CTR RH Mullion Cover						



STRUCTURAL COMPONENTS - (CONT'D)
 DUCTS AND Z-BARS - NLM/NLF

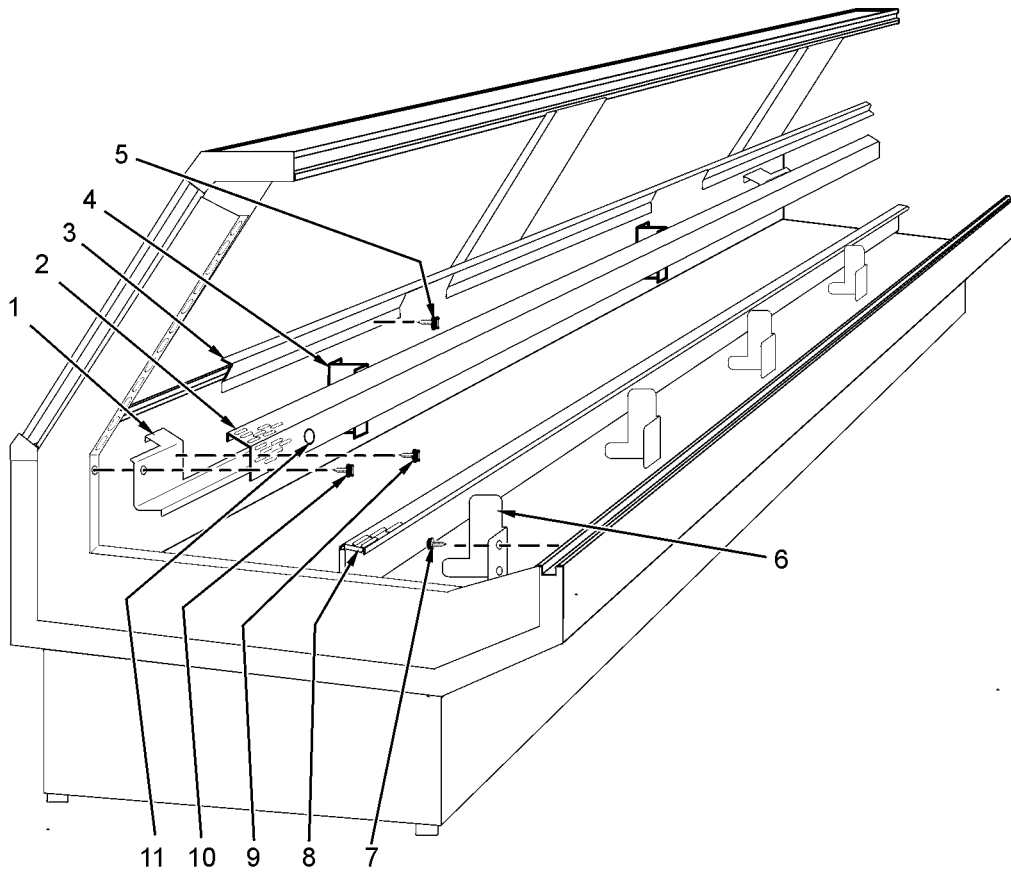


6', 8' and 12' Merchandiser

Item	Part No.	Quantity.			Description	Item	Part No.	Quantity.			Description
		6'	8'	12'				6'	8'	12'	
1	5240138	1	-	-	Rear Duct, Stationary	4	9024814	6	8	12	Screw (NLF)
	5240139	-	1	-	Rear Duct, Stationary		5221308	2	-	-	Plexiglas Barrier (NLF)
	5240140	-	-	1	Rear Duct, Stationary		5201011	-	2	3	Plexiglas Barrier (NLF)
2	5233055	1	-	-	Rear Duct, Removable	5	5183536	8	12	18	Screw
	5232997	-	1	1	RH RR Duct, Removable	6	5233883	1	-	-	Front Duct
	5232998	-	1	1	LH RR Duct, Removable	7	5232907	-	2	3	Front Duct
	5232941	-	-	1	CTR RR Duct, Removable	8	5205439	6	10	15	Screw
3	5232909	2	2	3	Rear Z-Bar	9	9024814	4	6	8	Screw
	5183536	4	4	6	Screw	9	5231062	1	1	2	Plug Button
	5234072	1	-	-	Plexiglas Support (NLF)						
	5234056	-	2	3	Plexiglas Support (NLF)						



STRUCTURAL COMPONENTS - (CONT'D)
 DUCTS AND Z-BARS - NLD

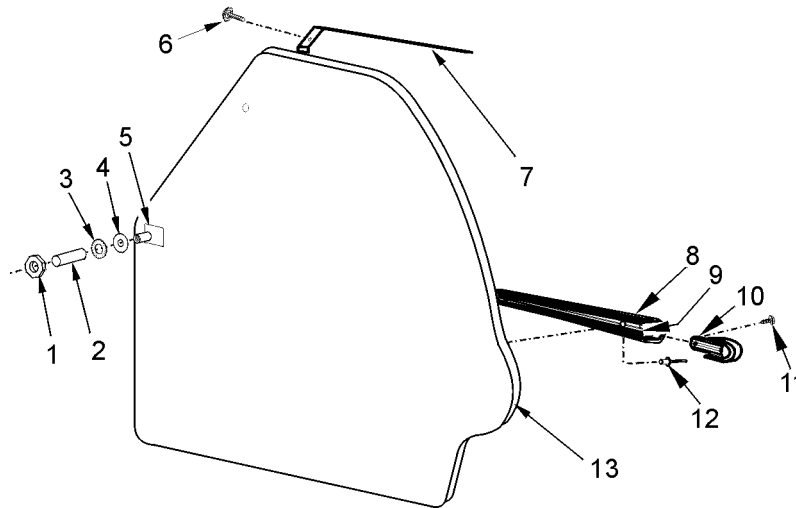


6', 8' and 12' Merchandiser

Item	Part No.	Quantity.			Description	Item	Part No.	Quantity.			Description
		6'	8'	12'				6'	8'	12'	
1	5240138	1	-	-	Rear Duct, Stationary	4	5232909	2	2	3	Rear Z-Bar
	5240139	-	1	-	Rear Duct, Stationary		5183536	4	4	6	Screw
	5240140	-	-	1	Rear Duct, Stationary		9024814	6	8	12	Screw
2	5233055	1	-	-	Rear Duct, Removable	6	9024803	4	6	9	Front Z-Bar-Stepped
	5232997	-	1	1	RH RR Duct, Removable		5183536	8	12	18	Screw
	5232998	-	1	1	LH RR Duct, Removable		5233883	1	-	-	Front Duct
	5232941	-	-	1	CTR RR Duct, Removable		5232907	-	2	3	Front Duct
3	5236969	1	-	-	Air Deflector	9	5205439	6	10	15	Screw
	5236970	-	2	3	Air Deflector		10	9024814	4	6	8
						11	5231062	1	1	2	Plug Button



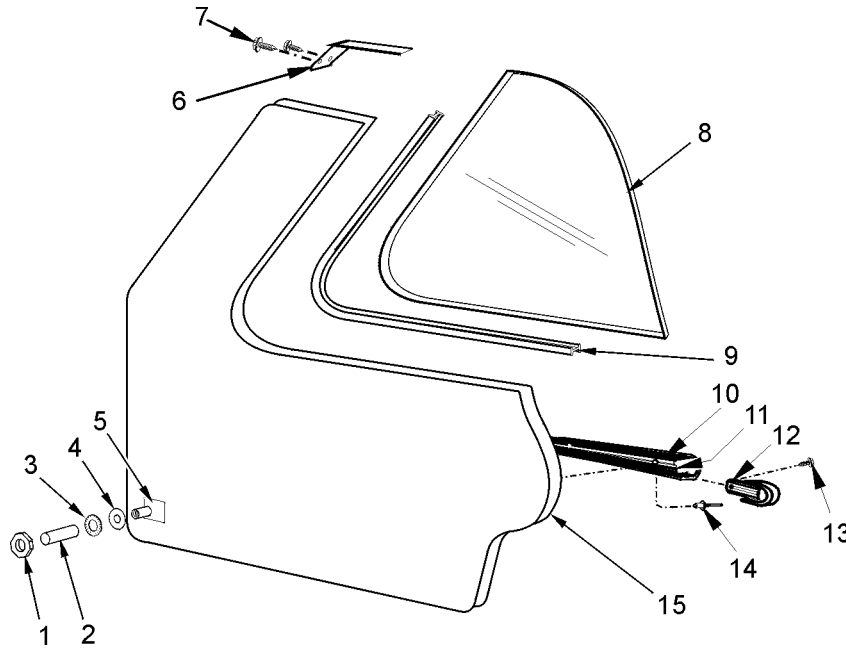
STRUCTURAL COMPONENTS - (CONT'D)
PATCH ENDS, PARTITIONS AND DIVIDERS
Solid Patch Ends, 51.750" & 48" - NLM/NLF/NLD



Item	Part No.	Qty.	Description	Item	Part No.	Qty.	Description
*	9043475	1	RH Solid End Assy. Ptd. Pnl/BRT/SS Liner		9023460	1	39" End Bumper, Cool Gray
*	9043476	1	LH Solid End Assy. Ptd. Pnl/BRT/SS Liner		9023461	1	39" End Bumper, Black
*	9043477	1	RH Solid End Assy. BRT/SS Pnl/BRT/SS Liner		9023462	1	39" End Bumper, Pearl
*	9043478	1	LH Solid End Assy. BRT/SS Pnl/BRT/SS Liner		9310876	1	39" End Bumper, Steel Gray
*	9043479	1	RH Solid End Assy. MB/SS Pnl/BRT/SS Liner	9	9027882	1	35" End Bumper Retainer
*	9043480	1	LH Solid End Assy. MB/SS Pnl/BRT/SS Liner		9023453	1	41" End Bumper Retainer
1	5100625	3	Nut, 5/16"-18	10	9026528	4	End Bmpr. Cap, Pearly Gates
2	9022759	3	Stud, 5/16"-18 x 3"		9027743	4	End Bmpr. Cap, Cool Gray
3	5101003	3	Lockwasher		9027744	4	End Bmpr. Cap, Black
4	5100976	3	Washer		9027742	4	End Bmpr. Cap, Pearl
5	9022760	3	Tapping Plate		9310881	4	End Bmpr. Cap, Steel Gray
	9022756	3	Threaded Insert	11	5183536	4	Screw
6	5048626	2	Screw	12	5104702	17	Rivet
	5105873	1	Plug Button - 1 1/8" Dia.	13	9043030	1	RH Bench Assy. Ptd. Pnl/BRT/SS Liner
	9023898	1	Hole Plug - 1" Dia.		9043031	1	LH Bench Assy. Ptd. Pnl/BRT/SS Liner
	9023899	2	Finishing Plug - 1/4" Dia.		9043032	1	RH Bench Assy. BRT/SS. Pnl/BRT/SS Liner
7	5234827	1	Top End Trim		9043033	1	LH Bench Assy. BRT/SS. Pnl/BRT/SS Liner
8	9029311	1	33" End Bumper, Pearly Gates		9043034	1	RH Solid End Assy. MB/SS Pnl/BRT/SS Liner
	9027973	1	33" End Bumper, Cool Gray		9043035	1	LH Solid End Assy. MB/SS Pnl/BRT/SS Liner
	9027974	1	33" End Bumper, Black				
	9027975	1	33" End Bumper, Pearl				
	9040180	1	33" End Bumper, Steel Gray				
	9023459	1	39" End Bumper, Pearly Gates				



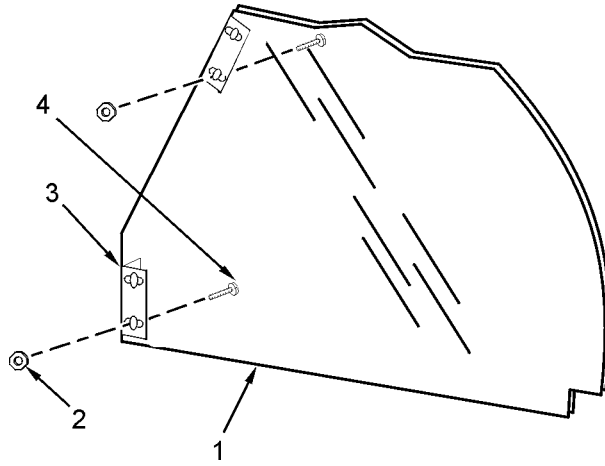
STRUCTURAL COMPONENTS - (CONT'D)
PATCH ENDS, PARTITIONS AND DIVIDERS
Solid Patch Ends with Glass - NLM/NLF/NLD



Item	Part No.	Qty.	Description	Item	Part No.	Qty.	Description
*	9043481	1	RH Solid End Assy. w/Glass Ptd. Panel w/ BRT/SS Liner	9027974	1	33" End Bumper, Black	
*	9043482	1	LH Solid End Assy. w/Glass Ptd. Panel w/ BRT/SS Liner	9027975	1	33" End Bumper, Pearl	
*	9043483	1	RH Solid End Assy. w/Glass BRT/SS Panel w/ BRT/SS Liner	9040180	1	33" End Bumper, Steel Gray	
*	9043484	1	RH Solid End Assy. w/Glass BRT/SS Panel w/ BRT/SS Liner	9023459	1	39" End Bumper, Pearly Gates	
*	9043483	1	RH Solid End Assy. w/Glass MB/SS Panel w/ BRT/SS Liner	9023460	1	39" End Bumper, Cool Gray	
*	9043484	1	RH Solid End Assy. w/Glass MB/SS Panel w/ BRT/SS Liner	9023461	1	39" End Bumper, Black	
*	9043483	1	RH Solid End Assy. w/Glass MB/SS Panel w/ BRT/SS Liner	9023462	1	39" End Bumper, Pearl	
*	9043484	1	RH Solid End Assy. w/Glass MB/SS Panel w/ BRT/SS Liner	9310876	1	39" End Bumper, Steel Gray	
1	5100625	3	Nut, 5/16"-18	11	9027882	1	35" End Bumper Retainer
2	9022759	3	Stud, 5/16"-18 x 3"	9023453	1	41" End Bumper Retainer	
3	5101003	3	Lockwasher	12	9026528	4	End Bmpr. Cap, Pearly Gates
4	5100976	3	Washer	9027743	4	End Bmpr. Cap, Cool Gray	
5	9022760	3	Tapping Plate	9027744	4	End Bmpr. Cap, Black	
	9022756	3	Threaded Insert	9027742	4	End Bmpr. Cap, Pearl	
	5105873	1	Plug Button-1 1/8" Dia.	9310881	4	End Bmpr. Cap, Steel Gray	
	9023898	1	Hole Plug-1" Dia.	13	5183536	4	Screw
	9023899	2	Finishing Plug-1/4" Dia.	14	5104702	17	Rivet
6	5234827	1	Top End Trim, BRT/SS	15	9043036	1	RH Bench Assy. w/Glass Ptd. Panel w/ BRT/SS Liner
7	5048626	2	Screw	9043037	1	LH Bench Assy. w/Glass Ptd. Panel w/ BRT/SS Liner	
8	9023928	1	Glass	9043038	1	RH Bench Assy. w/Glass BRT/SS Panel w/ BRT/SS Liner	
9	9024071	1	RH Glass Frame PPO	9043039	1	RH Bench Assy. w/Glass BRT/SS Panel w/ BRT/SS Liner	
	9024072	1	LH Glass Frame - BRT/SS	9043040	1	RH Bench Assy. w/Glass MB/SS Panel w/ BRT/SS Liner	
10	9029311	1	33" End Bumper, Pearly Gates	9043041	1	RH Bench Assy. w/Glass MB/SS Panel w/ BRT/SS Liner	
	9027973	1	33" End Bumper, Cool Gray				



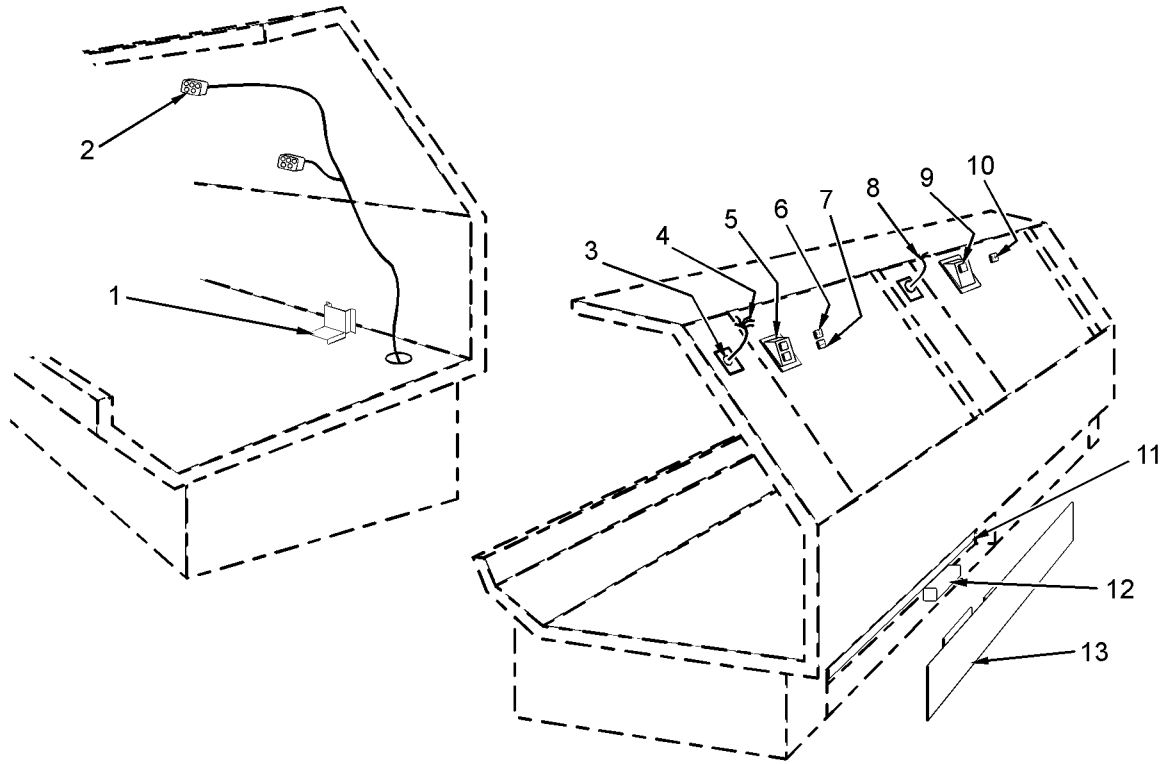
STRUCTURAL COMPONENTS - (CONT'D)
PATCH ENDS, PARTITIONS AND DIVIDERS
1" Floating Partition - NLM/NLF/NLD



Item	Part No.	Qty.	Description
*	9022439	1	1" Floating Partition Assy.
1	9028726	1	Floating Partition
2	5100650	4	Nut
3	9030331	2	Plexiglas Retainer
4	5111242	4	Screw
	5183536	4	Screw [For Mounting Retainers to Case Mullion Cover and Rear Duct]



ELECTRICAL SYSTEM COMPONENTS
WIRING HARNESSSES - NLM/NLF/NLD
 Wiring and Components

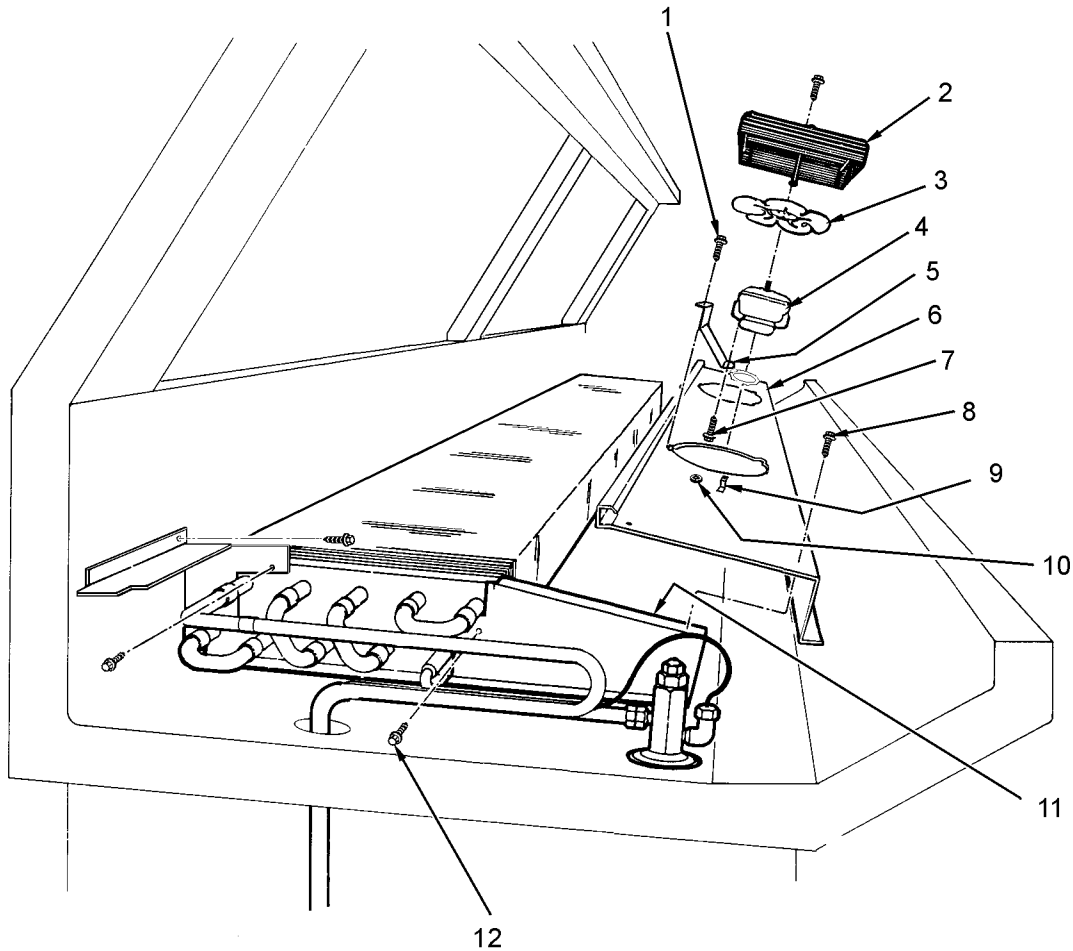


6', 8' and 12' Merchandiser

Item	Part No.	Quantity.			Description	Item	Part No.	Quantity.			Description
		6'	8'	12'				6'	8'	12'	
1	9024862	1	1	1	Lower Wiring Cover-NLM[F]	*	9043548	1	-	-	Electrical Rail MTG Assy.
	9024863	1	1	1	Lower Wiring Cover-NLD	*	9043549	-	1	1	Electrical Rail MTG Assy.
	5183536	2	2	2	Screw	11	9043546	1	-	-	Electrical Rail MTG
2	9025922	1	1	-	Horiz. Wiring Harness		9043547	-	1	1	Electrical Rail MTG
	9025923	-	-	1	Horiz. Wiring Harness		9036907	1	1	1	Power Lead MTG Bracket
	9025792	1	1	-	Top Light Harness		5183536	4	4	4	Screw
	9025793	-	-	1	Top Light Harness		5221557	1	1	1	Ballast Wiring-Blue
	5183536	2	2	2	Screw		5221558	1	1	1	Ballast Wiring-Red
3	5123674	1	4	4	Strain Relief	12	5991029	1	1	-	Ballast, 2-Lamp
4	5961380	1	1	1	Switch Harness		5991030	-	-	1	Ballast, 3-Lamp
5	5029007	1	1	1	Switch & Recept. Cover		5195131	3	3	3	Field Ground Lug
	5199134	2	2	2	Screw		5210988	1	1	1	Factory Ground Lug
6	5236335	1	1	1	Outlet		5933527	1	1	1	Terminal Block Assy.
7	5961377	1	1	1	Rocker Switch	13	9024929	1	-	2	Rear Rail Cover-6'
8	5961381	-	.1	1	Receptacle Harness		9024928	-	2	-	Rear Rail Cover-4'
9	5029006	-	1	1	Receptacle Cover		9043080	16	24	32	Screw
	5199134	-	2	2	Screw						
10	5236335	-	1	1	Outlet						



ELECTRICAL SYSTEM COMPONENTS - (CONT'D)
FAN SYSTEMS - NLD

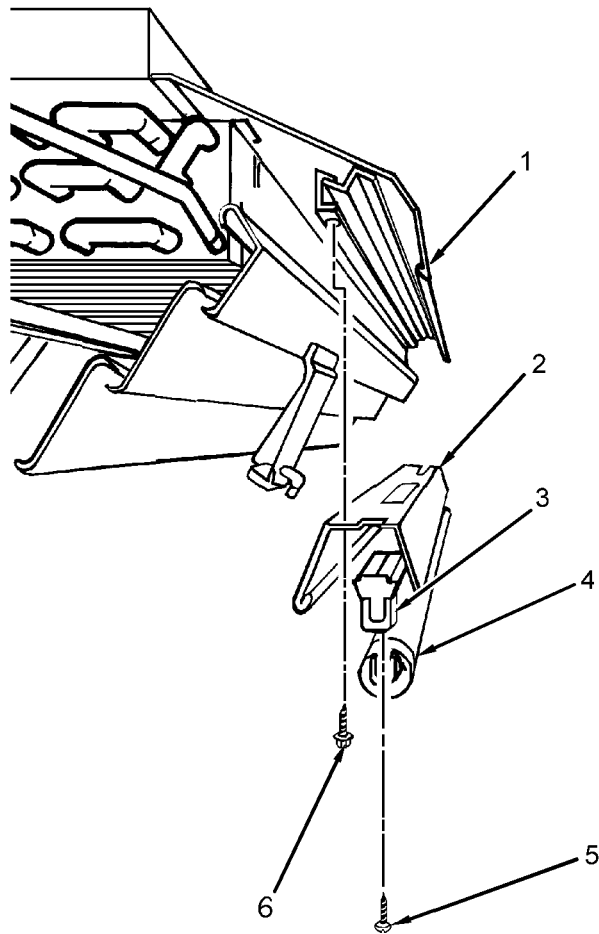


6', 8' and 12' Merchandiser

Item	Part No.	Quantity.			Description	Item	Part No.	Quantity.			Description
		6'	8'	12'				6'	8'	12'	
1	5224128	6	6	9	Screw	7	5224128	6	6	9	Screw
2	5063030	2	2	3	Fan Guard	8	5183536	10	10	15	Screw
*	5236973	2	2	3	Fan Motor Assy.-5 W		5183536	11	15	15	Screw
*	9030660	2	2	3	Opt. ECM Fan MTR Assy.-8 W	9	5206177	2	2	3	Fan Clip
3	5236974	2	2	3	Fan Blade	10	5123674	3	3	3	Strain Relief
	5223370	2	2	3	Opt. ECM Fan Blade	11	9037117	1	1	1	LH Fan Panel Close-off
4	5125532	2	2	3	Fan Motor-5 W		9037116	1	1	1	RH Fan Panel Close-off
	9025002	2	2	3	Opt. ECM Fan Motor-8W	12	5183536	8	8	8	Screw
5	5962269	6	6	9	Fan Motor Bracket						
	9025005	6	6	9	Opt. ECM Fan Motor Bracket						
6	9037137	1	-	-	Fan Panel						
	9037114	-	1	-	Fan Panel						
	9037115	-	-	1	Fan Panel						



ELECTRICAL SYSTEM COMPONENTS - (CONT'D)
TOP LIGHTS - NLM/NLF

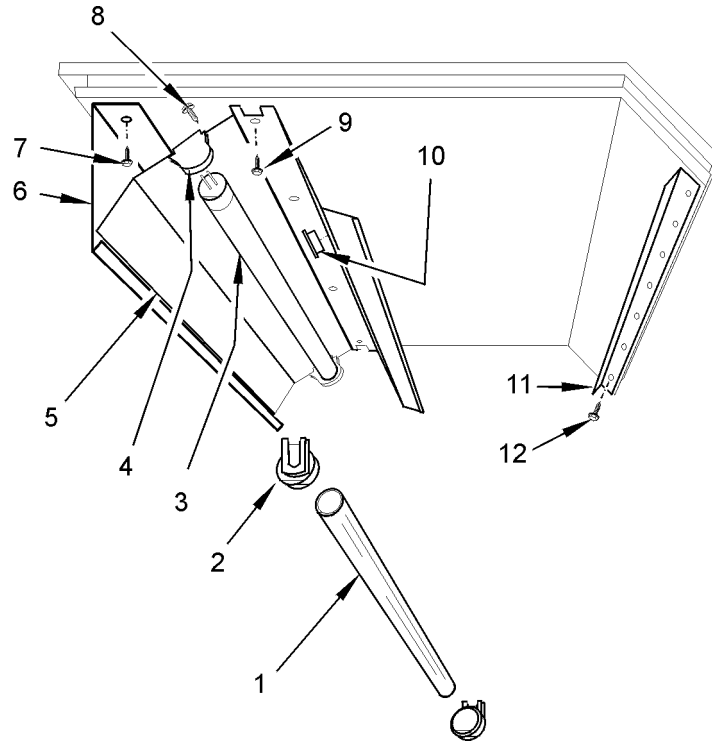


6', 8' and 12' Merchandiser

Item	Part No.	Quantity.			Description	Item	Part No.	Quantity.			Description
		6'	8'	12'				6'	8'	12'	
*	9025821	1	-	-	Light Channel Assy.		5981332	-	1	-	Light Channel
*	9025822	-	1	-	Light Channel Assy.		5981333	-	-	1	Light Channel
*	9025823	-	-	1	Light Channel Assy.	3	5232279	4	4	6	Lampholder
1	5244319	1	-	-	Light Shield Assy.	4	5987031	2	-	-	Shield & Cap Assy.
	5244320	-	1	-	Light Shield Assy.		5981621	-	2	3	Shield & Cap Assy.
	5244321	-	-	1	Light Shield Assy.		-----	2	2	3	Lamp
2	5232283	1	-	-	Light Channel	5	5214107	4	4	6	Screw
						6	5100212	5	6	9	Screw



ELECTRICAL SYSTEM COMPONENTS - (CONT'D)
 TOP LIGHTS - NLD

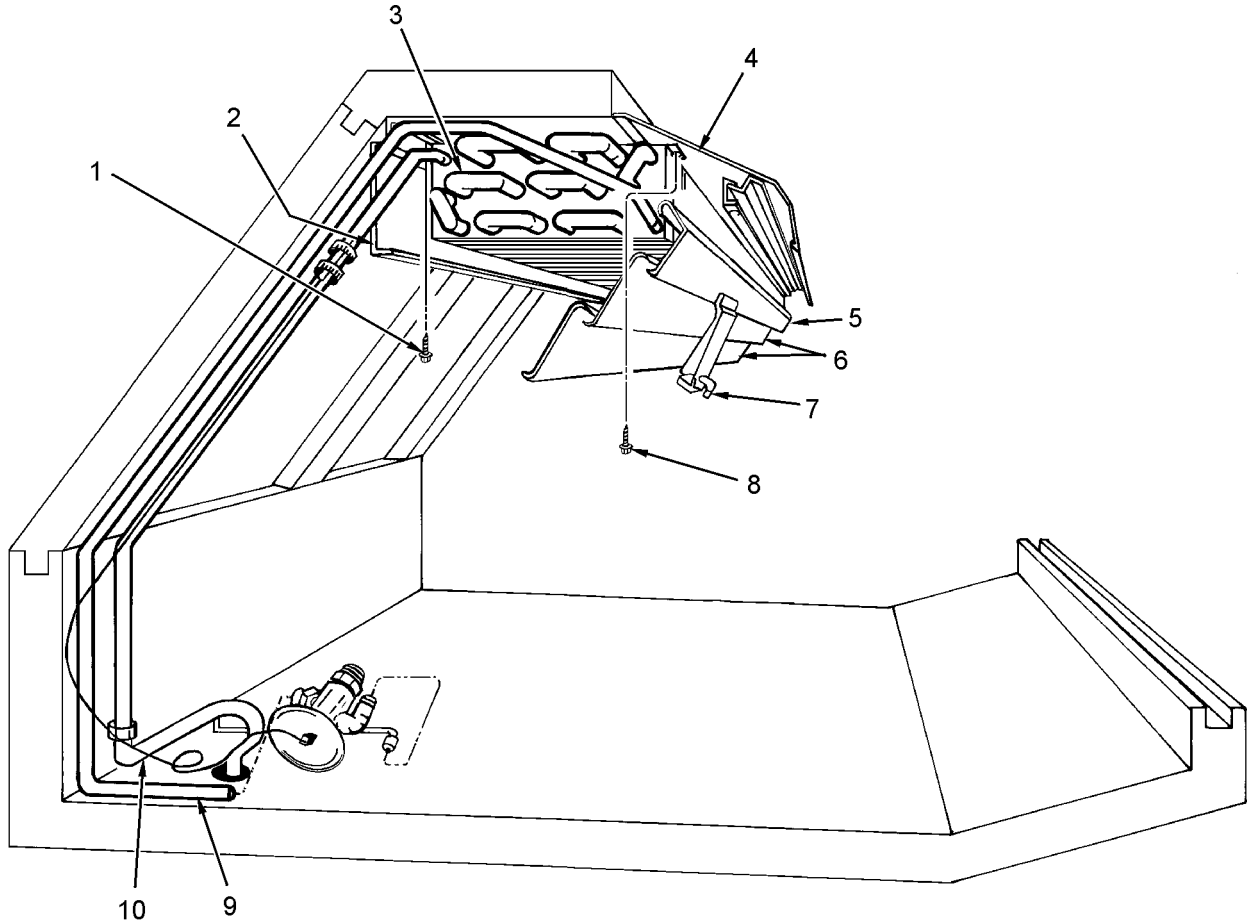


6', 8' and 12' Merchandiser

Item	Part No.	Quantity.			Description	Item	Part No.	Quantity.			Description
		6'	8'	12'				6'	8'	12'	
*	5987031	2	-	-	Lampshield & Caps Assy.	8	5208265	1	1	1	Screw
*	5981621	-	2	3	Lampshield & Caps Assy.		5103997	2	2	2	Washer-SHKPRF
1	5987030	2	-	-	Lampshield - 36"		5100661	1	1	1	Nut
	5981622	-	2	3	Lampshield - 46"	9	5183536	3	3	4	Screw
2	5981627	4	4	6	Caps	10	5124331	1	1	1	Bushing
3	Ref	2	2	3	Lamp - F32 T-8/TI	11	5236203	-	2	2	Raceway Support
4	5232279	4	4	6	Lampholder	12	5183536	-	3	5	Screw
5	5966395	1	-	-	Light Channel						
	5993207	-	1	-	Light Channel						
	5966396	-	-	1	Light Channel						
6	5966393	1	-	-	Light Shield						
	5993206	-	1	-	Light Shield						
	5966394	-	-	1	Light Shield						
7	5183536	4	4	6	Screw						



REFRIGERATION SYSTEM COMPONENTS TOP COIL ASSEMBLIES - NLM/NLF

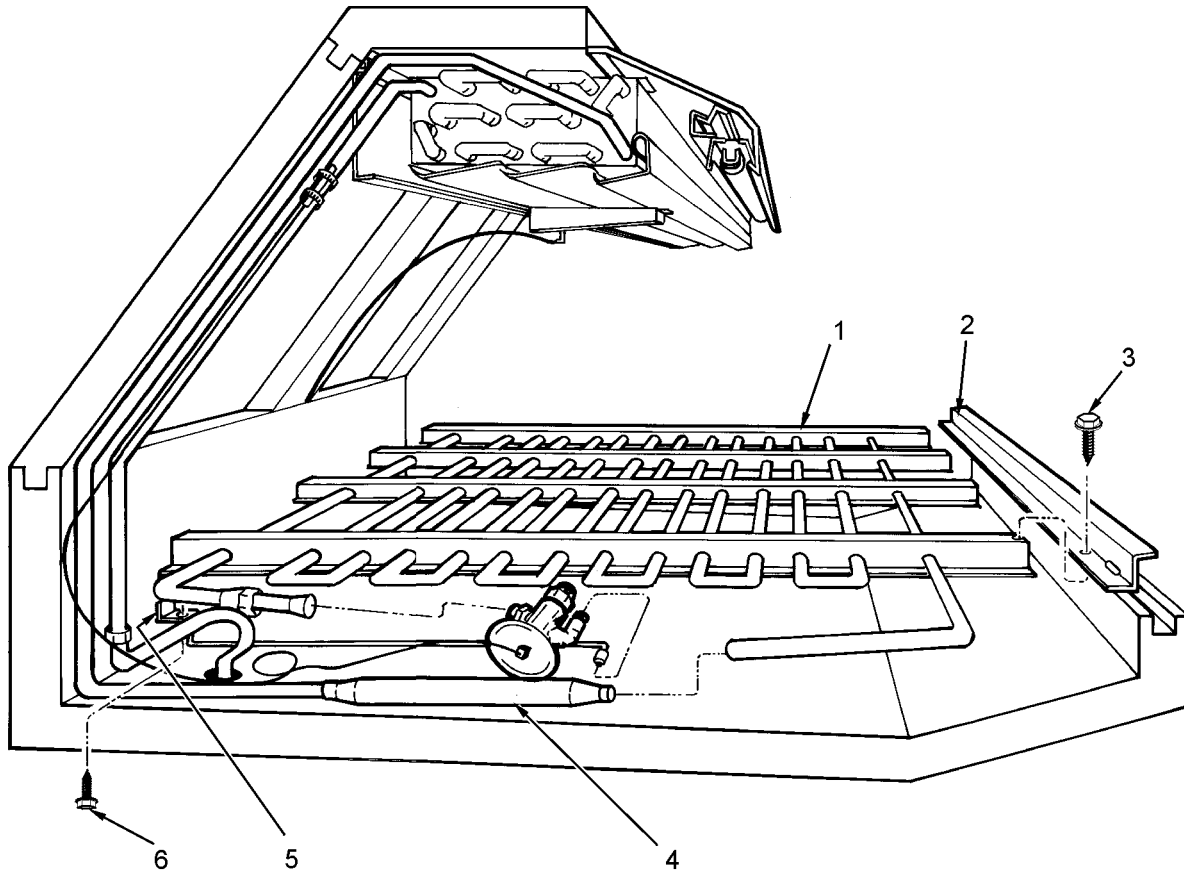


6', 8' and 12' Merchandiser

Item	Part No.	Quantity.			Description	Item	Part No.	Quantity.			Description
		6'	8'	12'				6'	8'	12'	
1	5161348	3	4	4	Screw	5	9024810	1	1	-	Front Baffle
	5135025	3	4	4	Clip		9024812	-	-	1	Front Baffle
2	5234809	1	-	-	Rear Baffle Support	6	9024811	1	1	-	Center & Rear Baffle
	5234810	-	1	-	Rear Baffle Support		9024813	-	-	1	Center & Rear Baffle
	5234811	-	-	1	Rear Baffle Support		9024884	3	4	4	Baffle Support
	5235030	3	4	4	Support Hanger (NLM)		9024882	9	12	12	Clip
	5961102	3	4	4	Support Hanger (NLF)	7	9024815	1	1	1	Drain Pod Assy.
	5244427	2	2	2	Coil Centering Clip		9024814	2	2	2	Screw
	9023806	2	2	2	Screw		5961855	1	1	1	Drain Pod
3	5244431	1	-	-	Top Coil Assy. (NLM)		9029747	1	1	1	Clip
	5244432	-	1	-	Top Coil Assy. (NLM)		9043078	1	1	1	RD Cap [Blue]
	5244433	-	-	1	Top Coil Assy. (NLM)	8	9023806	3	4	4	Screw
	5244428	1	-	-	Top Coil Assy. (NLF)		5236590	1	1	1	Drain Hose
	5244429	-	1	-	Top Coil Assy. (NLF)	9	5244590	1	1	1	Liquid Line Assy. (NLM)
	5244430	-	-	1	Top Coil Assy. (NLF)		5244588	1	1	1	Liquid Line Assy. (NLF)
4	5244414	3	4	4	Top Coil Support Chan.		5220559	1	1	1	Liquid Connection
*	9024816	1	-	-	Baffle Bench Assy.						Assy. (NLF)(not shown)
*	9024817	-	1	-	Baffle Bench Assy.	10	5244591	1	1	1	Suct. Line Assy. (NLM)
*	9024818	-	-	1	Baffle Bench Assy.		5244589	1	1	1	Suct. Line Assy. (NLF)



REFRIGERATION SYSTEM COMPONENTS - (CONT'D)
 BOTTOM COIL ASSEMBLIES - NLM

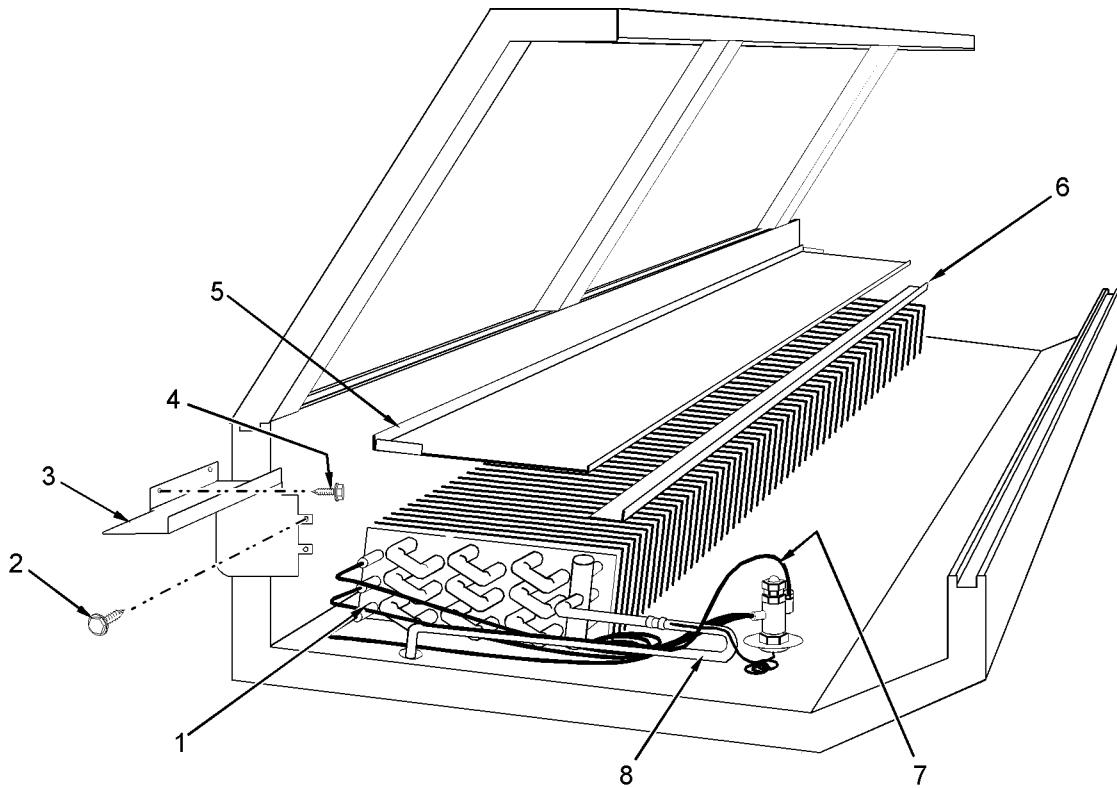


6', 8' and 12' Merchandiser

Item	Part No.	Quantity.			Description	Item	Part No.	Quantity.			Description
		6'	8'	12'				6'	8'	12'	
*	9024804	1	-	-	Bottom Coil Assy.		5233982	-	-	1	Front Coil Support
*	9024805	-	1	-	Bottom Coil Assy.	3	5183536	3	4	6	Screw
*	9024806	-	-	1	Bottom Coil Assy.	4	5234939	1	1	1	Heat Exchanger Assy.
1	5219744	1	-	-	Flat Bottom Coil		5234938	1	1	1	Inlet Tube Assy.
	5961139	-	1	-	Flat Bottom Coil		5235049	1	1	1	Heat Exchanger Tube
	5961140	-	-	1	Flat Bottom Coil		5235050	1	1	1	Equalizer Assy.
2	5233980	1	-	-	Front Coil Support	5	9024807	3	4	6	Rear Coil Support
	5233981	-	1	-	Front Coil Support	6	5183536	3	4	6	Screw



REFRIGERATION SYSTEM COMPONENTS - (CONT'D)
 COIL ASSEMBLIES - NLD



6', 8' and 12' Merchandiser

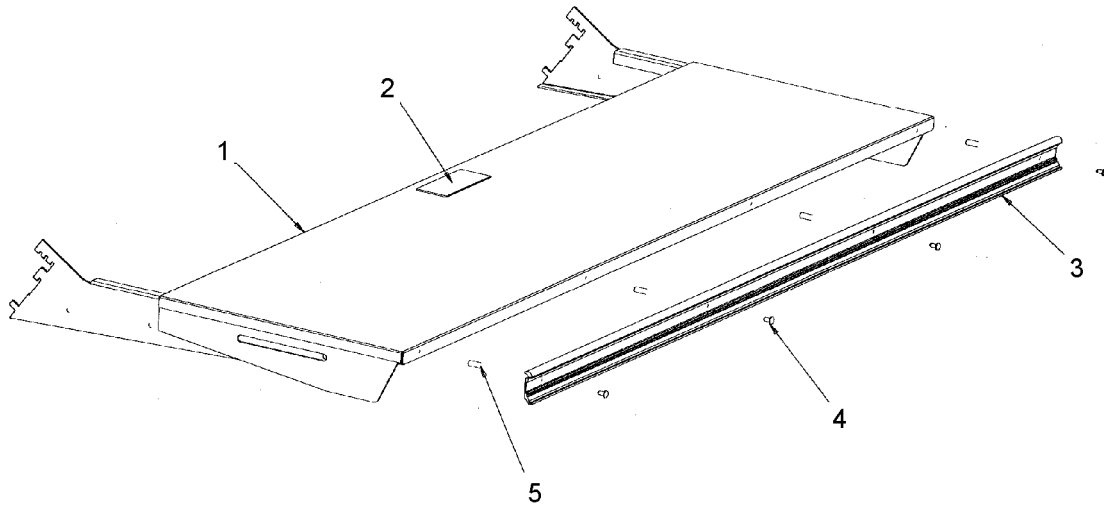
Item	Part No.	Quantity.			Description	Item	Part No.	Quantity.			Description
		6'	8'	12'				6'	8'	12'	
1	5234431	1	-	-	Coil & Fitting Assy.						
	5234432	-	1	-	Coil & Fitting Assy.						
	5234433	-	-	1	Coil & Fitting Assy.						
2	5183536	4	4	4	Screw						
3	5240512	1	1	1	LH Coil End Close-off						
	5240513	1	1	1	RH Coil End Close-off						
4	5183536	4	4	4	Screw						
5	9037323	1	-	-	Top Coil Close-off						
						9037115	-	1	-		Top Coil Close-off
						9037116	-	-	1		Top Coil Close-off
						6	5236316	1	-	-	Coil Cover Front Filler
							5236317	-	1	-	Coil Cover Front Filler
							5236318	-	-	1	Coil Cover Front Filler
						7	5234326	1	1	1	Liquid Line Assy. (to valve)
						8	5246392	1	1	1	Suction Line Assy.



OPTIONAL CASE ACCESSORIES

SHELF ASSEMBLIES - NLM/NLD/NLF

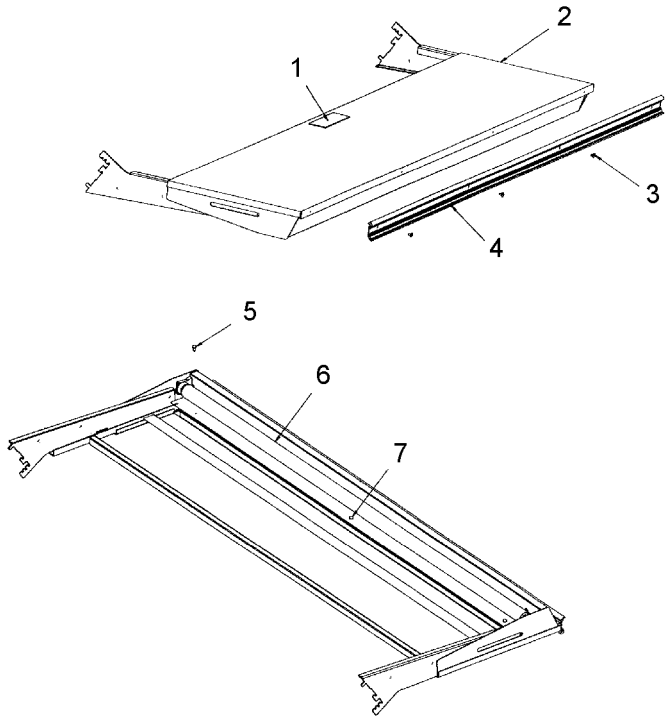
Optional 10" & 12" Mezzanine Shelves w/o Lights



Item	Part No.	Qty.	Description
*	9603952	1	Mezz. Shelf Assy., 10" x 48" MB/SS w/o Lights
*	9603953	1	Mezz. Shelf Assy., 12" x 48" MB/SS w/o Lights
1	5234347	1	Shelf-10"X48", MB/SS
	5234352	1	Shelf-12"X48", MB/SS
2	5239718	1	Cleaning Label
3	5236879	1	Card Moulding-48"
4	9024814	4	Screw
5	9043078	4	Round Cap



OPTIONAL CASE ACCESSORIES - (CONT'D)
 SHELF ASSEMBLIES - NLM/NLD/NLF
 Optional 10", 12" & 15" Mezzanine Shelves w/ T-8 Lights



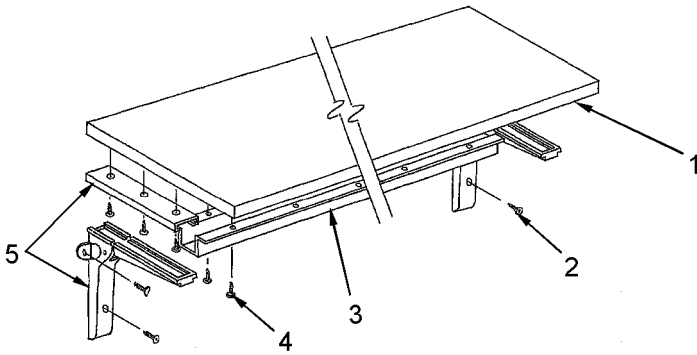
Item	Part No.	Qty.	Description	Item	Part No.	Qty.	Description
*	9603926	1	Mezz. Lighted Shelf Assy., 10" x 48" MB/SS	4	5236879	1	Card Moulding
*	9603913	1	Mezz. Lighted Shelf Assy., 12" x 48" MB/SS	5	9024814	3	Screw
1	5239718	1	Cleaning Instruction Label	6	9027657	1	Light Channel Assy. - T-8
2	5234347	1	Shelf-10" X 48"	5234343	1	Light Channel-8' & 12' Models	
	5234352	1	Shelf-12" X 48"	5981627	2	Lampholders-T8	
3	9029415	4	Screw	5238845	1	Clamp	
				5103996	2	Lock Washer	
				5111197	2	Screw-	
				5111198	2	Nut	
				5214107	2	Screw-	
				5981622	1	Lamp Shield	
				9027906	1	Shelf Feed Harness	
				7	9024814	3	Screw



OPTIONAL CASE ACCESSORIES - (CONT'D)

SHELF ASSEMBLIES - NLM/NLD/NLF

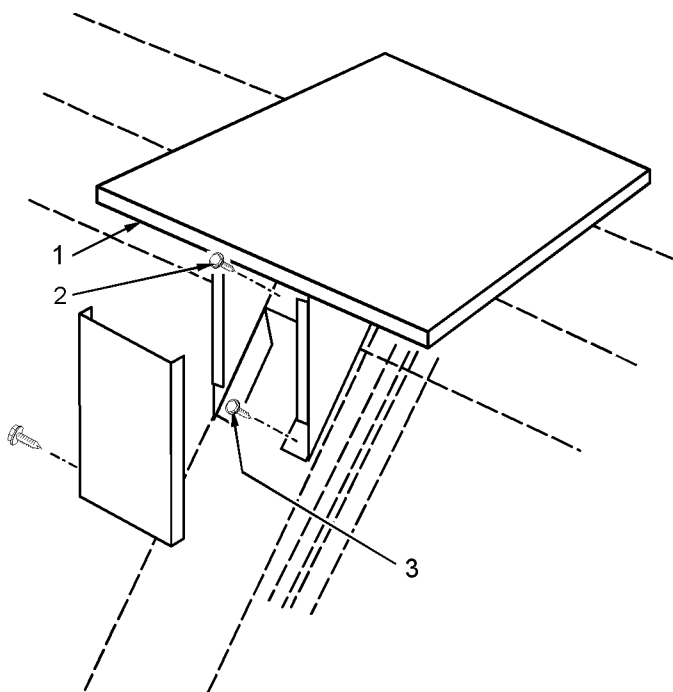
Optional 30", 48" & 60" Wrap Shelves



Item	Part No.	Qty.	Description
*	5952011	1	30" Poly Wrap Shelf Assy.
1	5951959	1	Poly Board, 9.5" x 29"
2	1309067	6	Screw
3	5952010	1	Reinforcement Channel
4	5100212	12	Screw
5	5182581	2	Bracket
*	5190217	1	48" Poly Wrap Shelf Assy.
1	5190222	1	Poly Board, 9.5" x 47"
2	1309067	3	Screw
3	5190220	1	Reinforcement Channel
4	5123781	14	Screw
5	5182581	2	Bracket
*	5986525	1	48" Poly Wrap Shelf Assy.
1	5986523	1	Poly Board, 7.25" x 47"

2	1309067	6	Screw
3	5190220	1	Reinforcement Channel
4	5123781	14	Screw
5	5182581	2	Bracket
*	5182582	1	48" Wood Wrap Shelf Assy.
1	5183579	1	Wood Shelf, 48"
2	1309067	3	Screw
3	-----	-	N/A
4	-----	-	N/A
5	5182581	2	Bracket
*	5190218	1	60" Poly Wrap Shelf Assy.
1	5190221	1	Poly Board, 9.5" x 47"
2	1309067	9	Screw
3	-----	-	N/A
4	5123781	9	Screw
5	5182581	3	Bracket
*	9603495	1	48" BLK Poly Wrap Shelf Assy.
1	9603493	1	BLK Poly Board, 9.50" x 47"
2	1309067	6	Screw
3	5190220	1	Reinforcement Channel
4	5183536	14	Screw
5	5182581	2	Bracket
*	5182583	1	60" Wood Wrap Shelf Assy.
1	5182580	1	Wood Shelf, 60"
2	1309067	9	Screw
3	-----	-	N/A
4	-----	-	N/A
5	5182581	3	Bracket

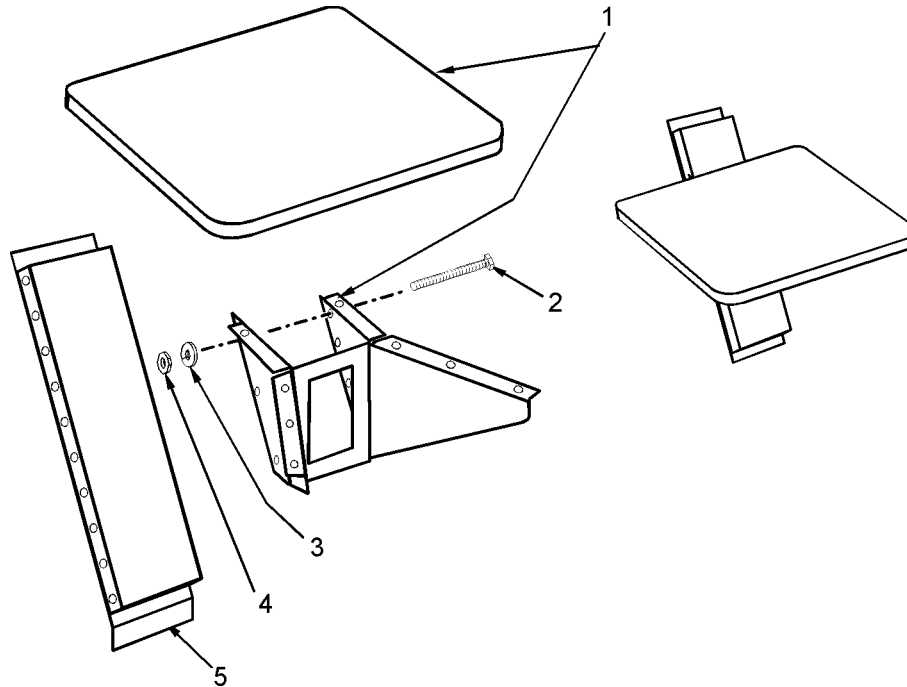
Optional Top Mount Scale Shelves



Item	Part No.	Qty.	Description
*	5233325	1	Top Mount Scale Shelf Assy., 14" x 16" (BRT/SS)
*	5233327	1	Top Mount Scale Shelf Assy., 14" x 22" (BRT/SS)
*	5985212	1	Top Mount Scale Shelf Assy., 20" x 22" (BRT/SS)
*	5985078	1	Top Mount Scale Shelf Assy., 14" x 16" (wood)
*	5986639	1	Top Mount Scale Shelf Assy., 14" x 16" (poly)
1	5233326	1	SS Scale Shelf Bench Assy., 14" x 16"
	5233328	1	SS Scale Shelf Bench Assy., 14" x 22"
	5985211	1	SS Scale Shelf Bench Assy., 20" x 22"
	5985077	1	Wd. Scale Shelf Bench Assy., 14" x 16"
	5986640	1	Poly Scale Shelf Bench Assy., 14" x 16"
2	1309067	2	Screw
3	5205439	2	Screw



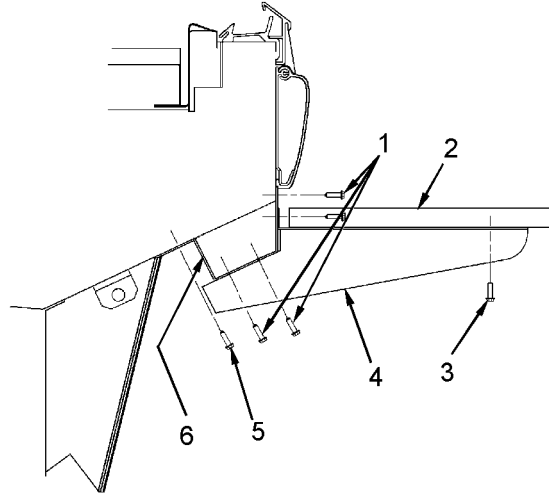
OPTIONAL CASE ACCESSORIES - (CONT'D)
 SHELF ASSEMBLIES - NLM/NLD/NLF
 Optional Rear Mount Scale Shelves



Item	Part No.	Qty.	Description	Item	Part No.	Qty.	Description	
*	5995784	1	Rear Mount Scale Shelf Assy., 14" x 16" (Poly)	9030934	1	Poly Scale Shelf Assy., 16"x18"		
*	5995952	1	Rear Mount Scale Shelf Assy., 14" x 16" (Poly)	9030393	1	Shelf		
*	5988940	1	Rear Mount Scale Shelf Assy., 16" x 16" (Poly)	5991023	1	Poly Scale Shelf Assy., 16"x22"		
*	9030395	1	Rear Mount Scale Shelf Assy., 16" x 18" (Poly)	5991024	1	Shelf		
*	5991022	1	Rear Mount Scale Shelf Assy., 16" x 22" (Poly)	5233284	1	Poly Scale Shelf Assy., 20"x22"		
*	5233297	1	Rear Mount Scale Shelf Assy., 20" x 22" (Poly)	5946608	1	Shelf		
*	5233296	1	Rear Mount Scale Shelf Assy., 20" x 22" (Wood)	5233283	1	Wood Scale Shelf Assy., 20"x22"		
*	5990298	1	Rear Mount Scale Shelf Assy., 20" x 22" (BRT/SS)	5991076	1	Shelf		
1	5995783	1	Poly Scale Shelf Assy., 14"x16"	5990297	1	BRT/SS Scale Shelf Assy., 20"x22"		
	5223757	1	Shelf	5953081	1	Shelf		
	5995951	1	Poly Scale Shelf Assy., 14"x16"	5988938	1	Bracket (for 16" & 18" shelves)		
	5995948	1	Shelf	5233211	1	Bracket (for 22" shelves)		
	5988939	1	Poly Scale Shelf Assy., 16"x16"	5619204	8	Screw		
	5988936	1	Shelf	2	5220088	3	Screw	
				3	5101000	3	Lockwasher	
				4	5100616	3	Nut	
				5	5994298	1	Upright Support	
					1309067	4	Screw	
					5183536	2	Screw	
					5100918	1	Plug Button	



OPTIONAL CASE ACCESSORIES - (CONT'D)
SHELF ASSEMBLIES - NLM/NLD/NLF
Optional Front Bread Shelves

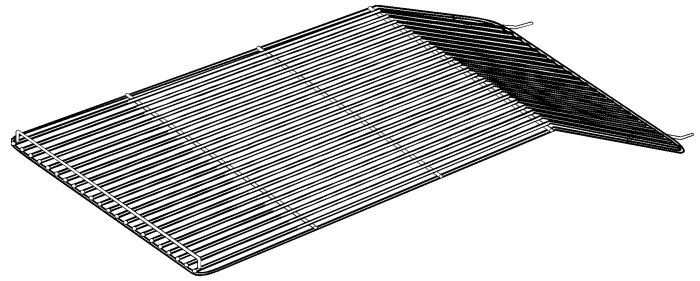
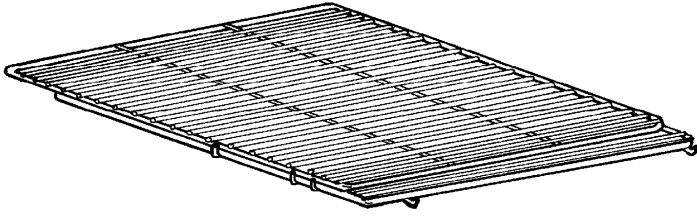


6', 8' and 12' Merchandiser

Item	Part No.	Quantity.			Description
		6'	8'	12'	
*	9020798	1	-	-	Front Shelf Mounting
*	9020255	-	1	-	Front Shelf Mounting
*	9020256	-	-	1	Front Shelf Mounting
1	1309067	9	12	18	Screw
2	5932058	1	-	-	6' Shelf, Quaker Oak
	5949993	1	-	-	6' Shelf Imperial Oak
	5980461	1	-	-	6' Shelf, Black
	5220213	1	-	-	6' Shelf, Walnut
	5932059	-	1	-	8' Shelf, Quaker Oak
	5949994	-	1	-	8' Shelf, Imperial Oak
	5980462	-	1	-	8' Shelf, Black
	5615265	-	1	-	8' Shelf, Walnut
	5932060	-	-	1	12' Shelf, Quaker Oak
3	5949995	-	-	1	12' Shelf, Imperial Oak
	5980463	-	-	1	12 Shelf, Black
	5615266	-	-	1	12' Shelf, Walnut
	5205439	9	12	18	Screw
4	9022870	3	4	6	Front Shelf Bracket
5	5183536	6	8	12	Screw
6	9034749	1	-	-	6' Shelf Support
	9034750	-	1	-	8' Shelf Support
	9034751	-	-	1	12' Shelf Support



**OPTIONAL CASE ACCESSORIES - (CONT'D)
SCREENS, FENCES AND TRAYS**

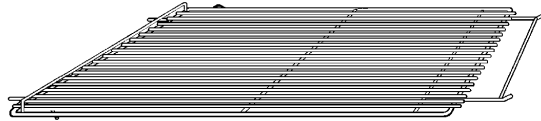


Optional Telescoping Screens

Item	Part No.	Quantity.			Description
		6'	8'	12'	
-	5946888	3	4	6	Telescoping Screen, WHT (NLM/NLD)
-	5199443	3	4	6	Telescoping Screen, WHT (NLF)
-	5997065	3	4	6	Telescoping Screen, BLK (NLM/NLD)

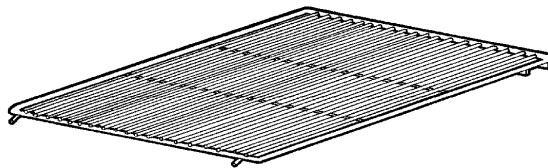
Optional 4" Angled Screens (LLM)

Item	Part No.	Qty.	Description
-	5987530	1	4" Angled Screen
-	9031153	1	4" Angled Screen, BLK



Optional Flat Elevating Screen

Item	Part No.	Quantity.			Description
		6'	8'	12'	
-	5987201	3	4	6	Flat Elevating Screen, 23 5/8" x 32 1/4"
-	5962128	3	4	6	Flat Elevating Screen, 23 5/8" x 29 1/16"

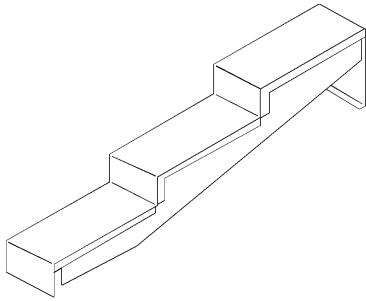


Optional Flat Screen

Item	Part No.	Quantity.			Description
		6'	8'	12'	
-	5233835	3	4	6	Flat Screen, 23 5/8" x 33 1/2"

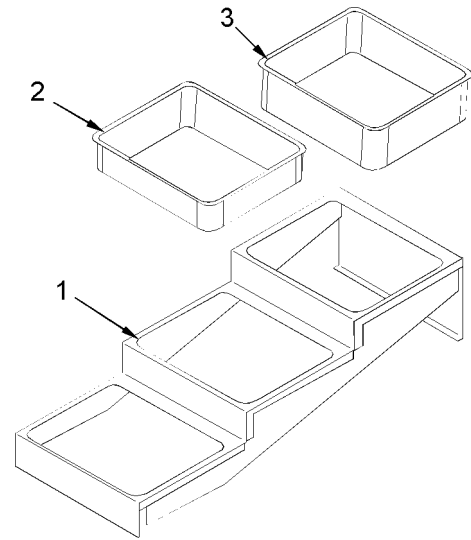


**OPTIONAL CASE ACCESSORIES - (CONT'D)
SCREENS, FENCES AND TRAYS**



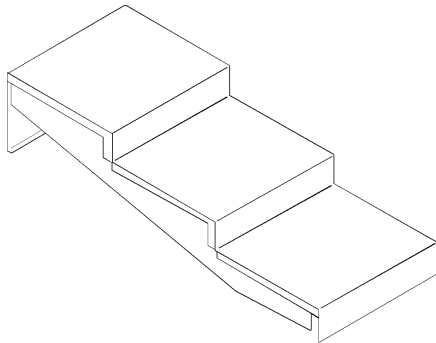
Optional 3-Step Narrow Solid Tray

Item	Part No.	Qty.	Description
-	5233573	1	3-Step Narrow Tray (NLM/NLD - 8' & 12')



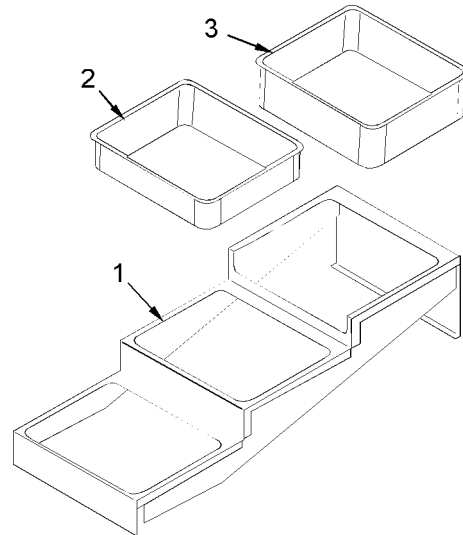
Optional 3-Step Trays w/ Openings & Pans

Item	Part No.	Qty.	Description
*	5233607	1	3-Step Tray Assy. w/Openings & Pans (all 8' & 12' cases)
1	5233608	1	3-Step Tray w/Openings
2	5146721	1	4 1/2 Qt. Pan
3	5106467	2	6 1/2 Qt. Pan



Optional 3-Step Solid Trays

Item	Part No.	Qty.	Description
-	5233536	1	3-Step Solid Tray (NLM/NLF/NLD - 8' & 12')
-	5233574	1	3-Step Solid Tray (all 8' & 12' cases)



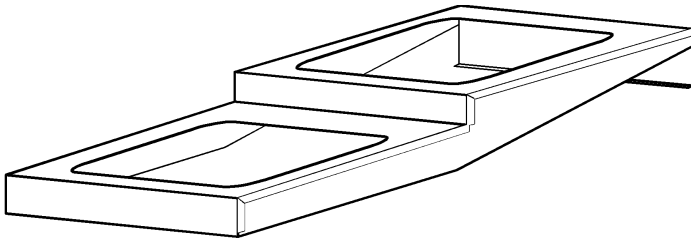
Optional 3-Step Tray w/ Cutouts & Pans

Item	Part No.	Qty.	Description
*	5233595	1	3-Step Tray Assy.w/Cutouts & Pans (NLM/NLD - 8' & 12')
1	5233594	1	3-Step Tray w/Openings
2	5146721	1	4 1/2 Qt. Pan
3	5106467	2	6 1/2 Qt. Pan



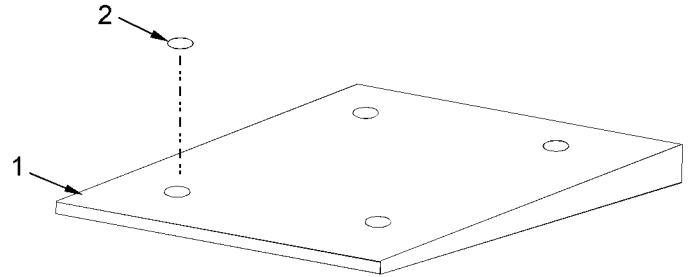
OPTIONAL CASE ACCESSORIES - (CONT'D)

SCREENS, FENCES AND TRAYS



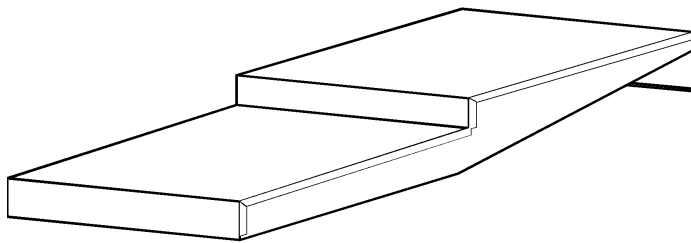
Optional 2-Step Trays w/ Cutouts

Item	Part No.	Qty.	Description
-	5932087	1	2-Step Tray w/Cutouts (NLM/NLF/NLD - 6', 8' & 12')
-	5999429	1	2-Step Tray w/Cutouts (NLM/NLF/NLD - 8' & 12')



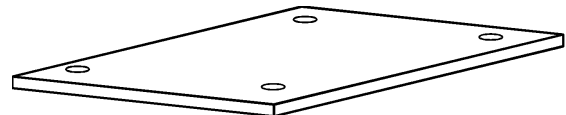
Optional Elevated Tray

Item	Part No.	Qty.	Description
-	5986294	1	1 1/2" - 4" Elevated Tray
1	5986292	1	Elevated Tray
2	5124331	4	Bushing



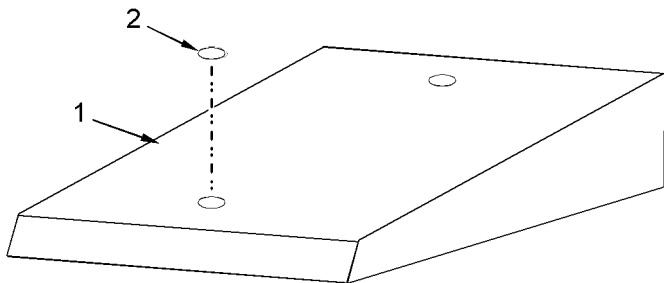
Optional 2-Step Solid Trays

Item	Part No.	Qty.	Description
-	5932088	1	2-Step Solid Tray (2 1/2" drop) (NLM/NLF/NLD - 6', 8' & 12')
-	5987813	1	2-Step Solid Tray (NLM/NLF/NLD - 8' & 12')
-	5987815	1	2-Step Solid Tray (3 3/4" drop) (NLD - 8' & 12')



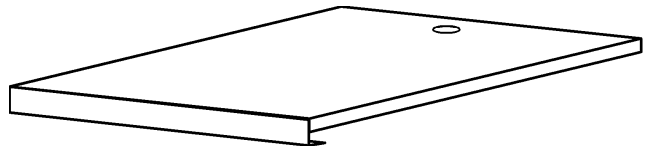
Optional Ice Trays

Item	Part No.	Quantity			Description
		6'	8'	12'	
-	5233649	-	4	6	Reinforced Ice Tray, NLF
-	5233662	3	4	6	Ice Tray, NLF
-	5995130	-	4	6	Ribbed Ice Tray, NLF
-	5996407	3	4	6	Ice Tray (NLD - 6') (NLM - 6', 8' & 12') (NLF - 8' & 12')



Optional Elevated Tray

Item	Part No.	Qty.	Description
-	5996969	1	3" - 10" Elevated Tray
1	5996985	1	Elevated Tray
2	5124331	2	Bushing

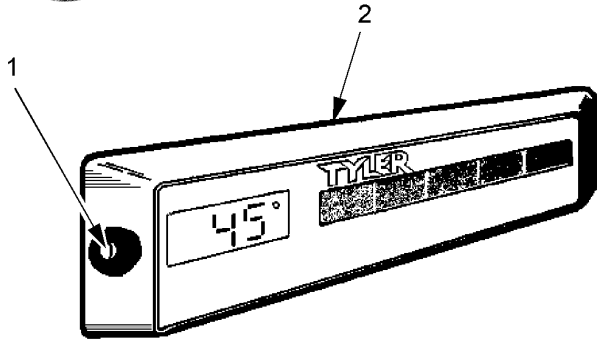


Bottom Trays

Item	Part No.	Quantity			Description
		6'	8'	12'	
-	5233654	3	4	6	Bottom Tray, BRT/SS (NLD) - Std
-	5235742	-	4	6	Bottom Tray, MB/SS (NLM) - Std

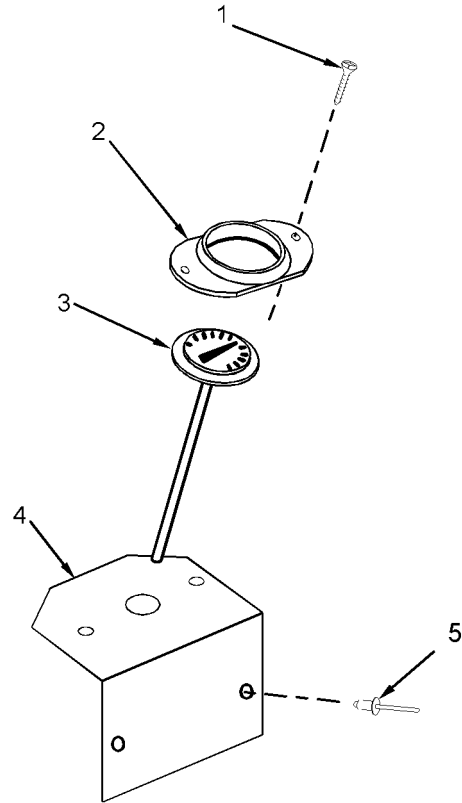


OPTIONAL CASE ACCESSORIES - (CONT'D) THERMOMETERS



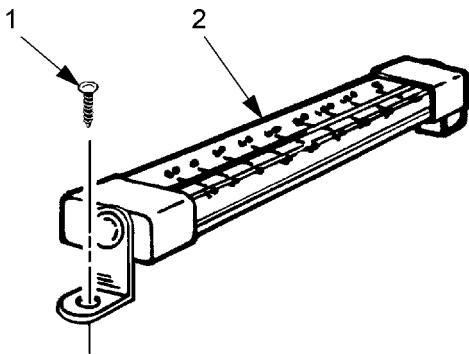
Digital Solar Thermometer

Item	Part No.	Qty.	Description
*	5230912	1	Digital Thermometer Assy., F°
*	5988308	1	Digital Thermometer Assy., C°
1	5230884	2	Screw
2	5239500	1	Digital Thermometer, F°
	5239501	1	Digital Thermometer, C°
-	5100902	1	Clamp, Plastic
-	5111198	1	Nut
-	5127438	2	Rear Deflector Spacer
-	5185153	1	Screw
-	5218751	3	Clip Cord



1" Dial Thermometer, Rear Duct

Item	Part No.	Qty.	Description
*	5985278	1	1" Dial Thermometer Assy.
1	5219883	2	Screw
2	----	1	Mounting Ring (furn. w/therm.)
3	5203829	1	1" Dial Thermometer
4	5235142	1	Thermometer Support
5	5104702	2	Rivet



Standard Thermometer

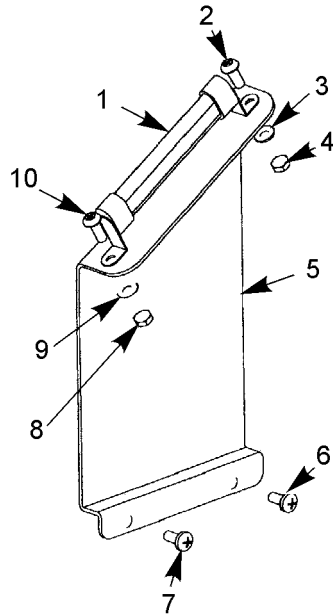
Item	Part No.	Qty.	Description
*	5967100	1	Thermometer

1" Dial Thermometer, Top Coil

Item	Part No.	Qty.	Description
*	9024966	1	1" Thermometer Assy., Top Coil
1	9024814	2	Screw
2	----	1	Mounting Ring (furn. w/therm.)
3	5203829	1	1" Dial Thermometer
-	9024967	1	Bracket (not shown)
	9043078	2	Round Cap - Blue



OPTIONAL CASE ACCESSORIES - (CONT'D) THERMOMETERS



Standard Thermometer & Mounting

Item	Part No.	Qty.	Description
*	9043556	1	Thermometer Assembly
1	5967100	1	Pencil Thermometer
2	5208265	1	Screw
3	5100387	1	Lock Washer
4	5100661	1	Nut
5	9043550	1	Bracket
6	9024883	1	Screw
7	9024883	1	Screw
8	5100661	1	Nut
9	5100387	1	Flat Washer
10	5208265	1	Screw