

NM, NMHPA, NMG, NMGHPA

TC Coil™

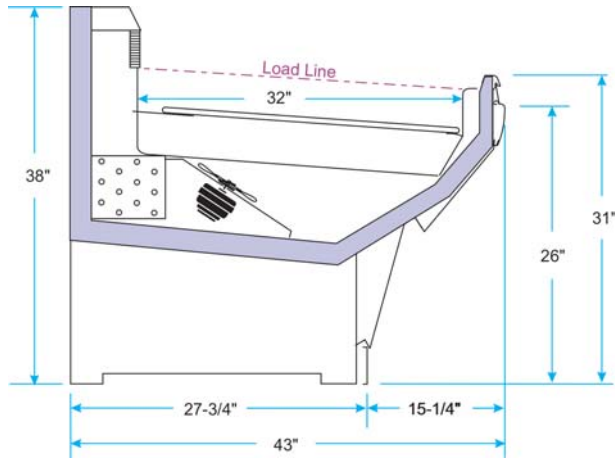


NMG with glass front shown

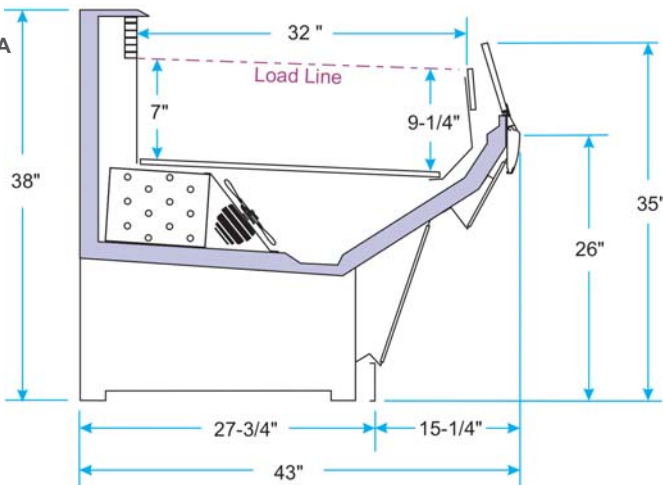


Meat / Seafood

NM
NMHPA



NMG
NMGHPA



For quick and easy selection of products, the NM family of standard and high performance low-profile meat merchandisers have wide open display areas that provide efficient presentation of fresh meat, dairy and deli, and critical temperature produce. For additional product display opportunities, choose a glass front merchandiser.

High Performance TC Coil™

High Performance (HP) Merchandisers feature our patented TC Coil™ design, which represents a major technology breakthrough for the commercial refrigeration industry. Developed jointly by Carrier Corporation and Tyler, the TC Coil enables HP merchandisers to operate more efficiently, providing energy savings that allow faster payback periods for food retailers.

Note: For more information about Tyler high performance display merchandisers featuring TC Coil, go to the Technologies section of this catalog on page 8.

Features & Benefits

- ♦ Energy-efficient copper tube and aluminum fin coils.
- ♦ NMG and NMGHPA have 6° angled clear front glass to enhance product visibility.
- ♦ Adjustable white powder-coated display screens enhance product presentation.
- ♦ Solid steel base adds strength and durability.
- ♦ Easily removable interior components for quicker cleaning.
- ♦ Fan assembly design allows access to coil and drain pan.
- ♦ Off-cycle defrost.

Options

- ♦ ECM fan motors for additional energy savings.
- ♦ Electric or gas defrost on NM(G) models only.

Specifications are subject to engineering changes without notice.

Model	Case Length	Description	Capacity in Cubic Feet
NM	6' • 8' • 12'	Solid Front, standard coil	10.9 • 14.5 • 21.7
NMG	6' • 8' • 12'	Glass Front, standard coil	10.9 • 14.5 • 21.7
NMHPA	4' • 6' • 8' • 12'	Solid Front, TC Coil	7.3 • 10.9 • 14.5 • 21.7
NMGHPA	4' • 6' • 8' • 12'	Glass Front, TC Coil	7.3 • 10.9 • 14.5 • 21.7

