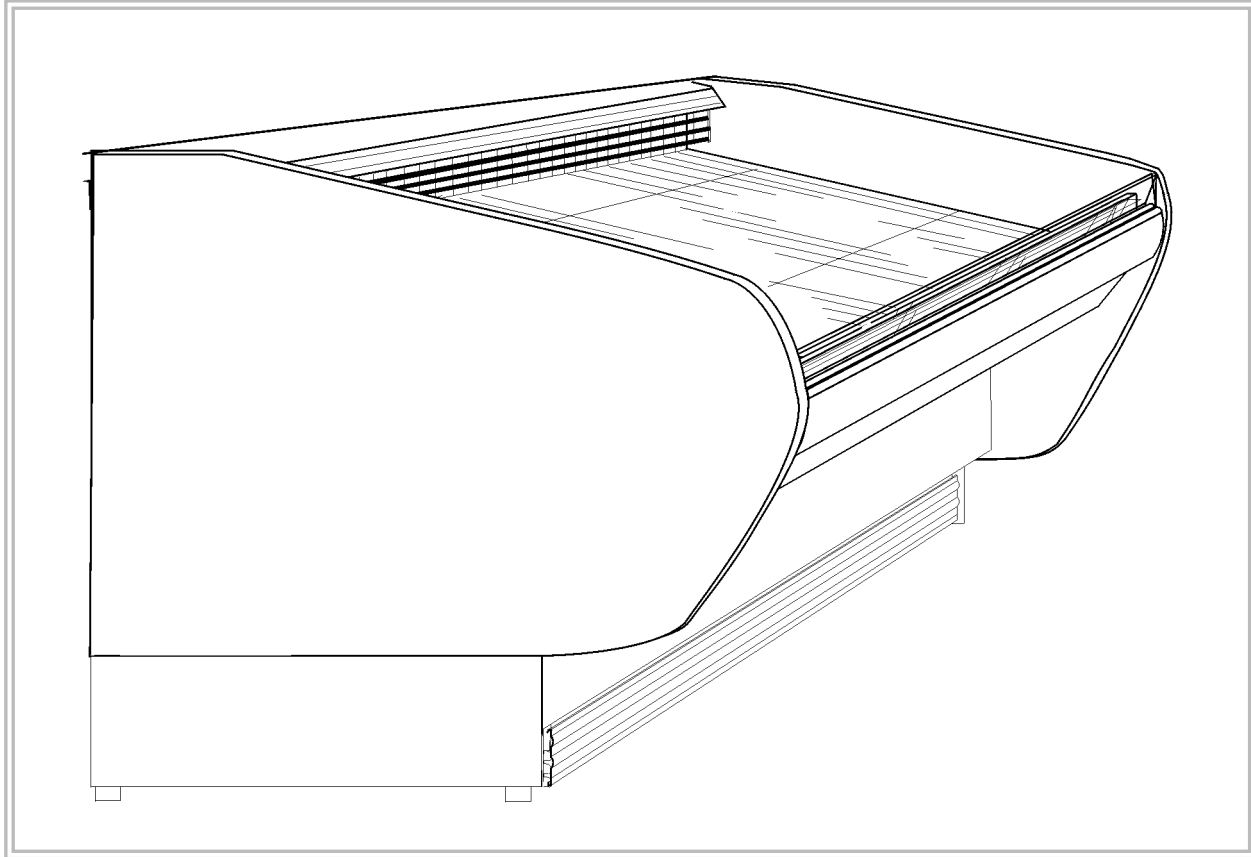


# Replacement Parts

# series Advantage



## Self-Serve Cheese/Deli Merchandiser

Production began October 6, 2000

## NNG

9000560	NNG6	Med-Temp	6' Self-Serve Cheese/Deli Merchandiser w/Glass Front
9000561	NNG8	Med-Temp	8' Self-Serve Cheese/Deli Merchandiser w/Glass Front
9000562	NNG12	Med-Temp	12' Self-Serve Cheese/Deli Merchandiser w/Glass Front



Issue date: SEPTEMBER 2000

Replaces issue:

Part number: 9037183

Revision:

Tyler Refrigeration Corporation Niles, MI 49120  
Parts information subject to change without notice  
Printed in U.S.A.

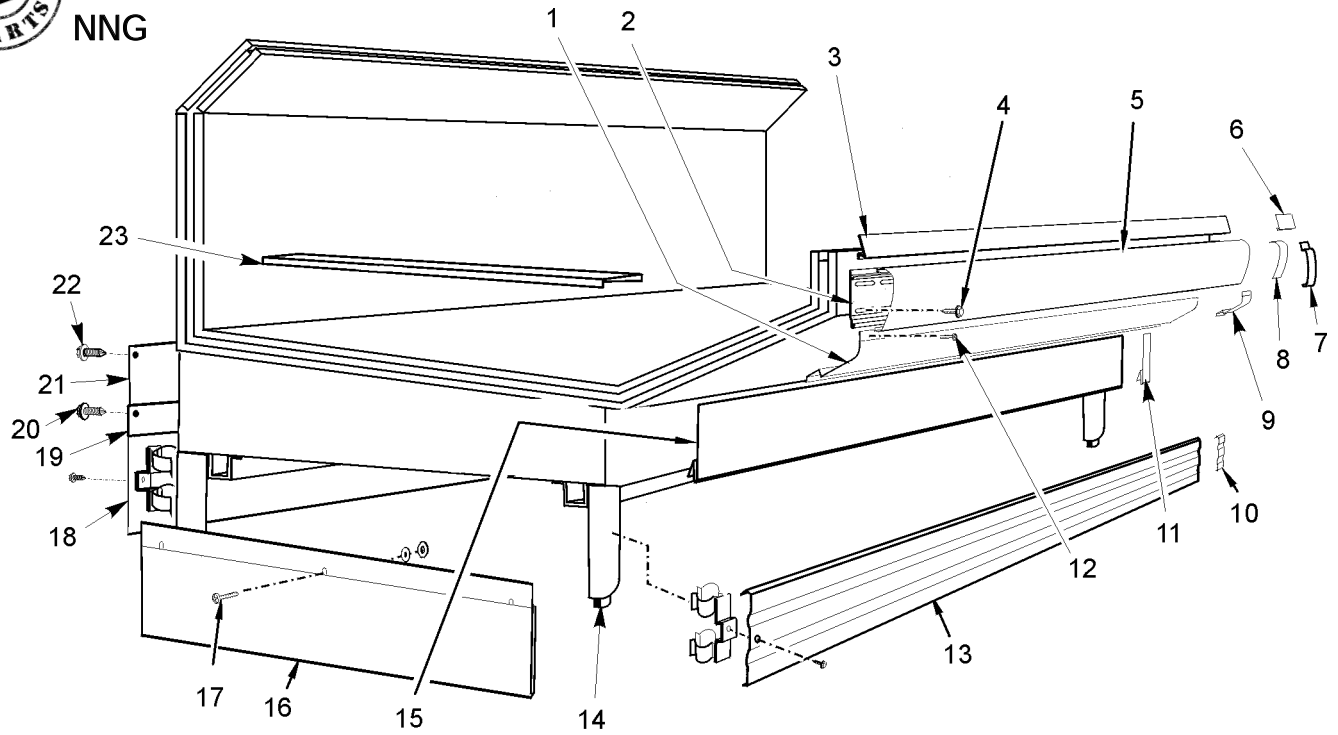


## CONTENTS

	<u>Page</u>
Cladding, Covers and Trims .....	C1-C5
Front Glass .....	C6
<b>Structural Components</b>	
Ducts, Rear Risers and Z-Bars	
Rear Risers .....	S1
Ducts .....	S2
Z-Bars .....	S3
Patch Ends, Partitions and Dividers	
Solid Patch Ends .....	S4
<b>Electrical System Components</b>	
Wiring Harnesses	
Wiring and Components .....	E1
Fan Systems .....	E2
<b>Refrigeration System Components</b>	
Coil Assemblies .....	R1
<b>Optional Case Accessories</b>	
Shelves and Screens .....	A1
Thermometers .....	A2



CLADDING, COVERS AND TRIMS  
SATNDARD CASE HEIGHT - 52"  
NNG



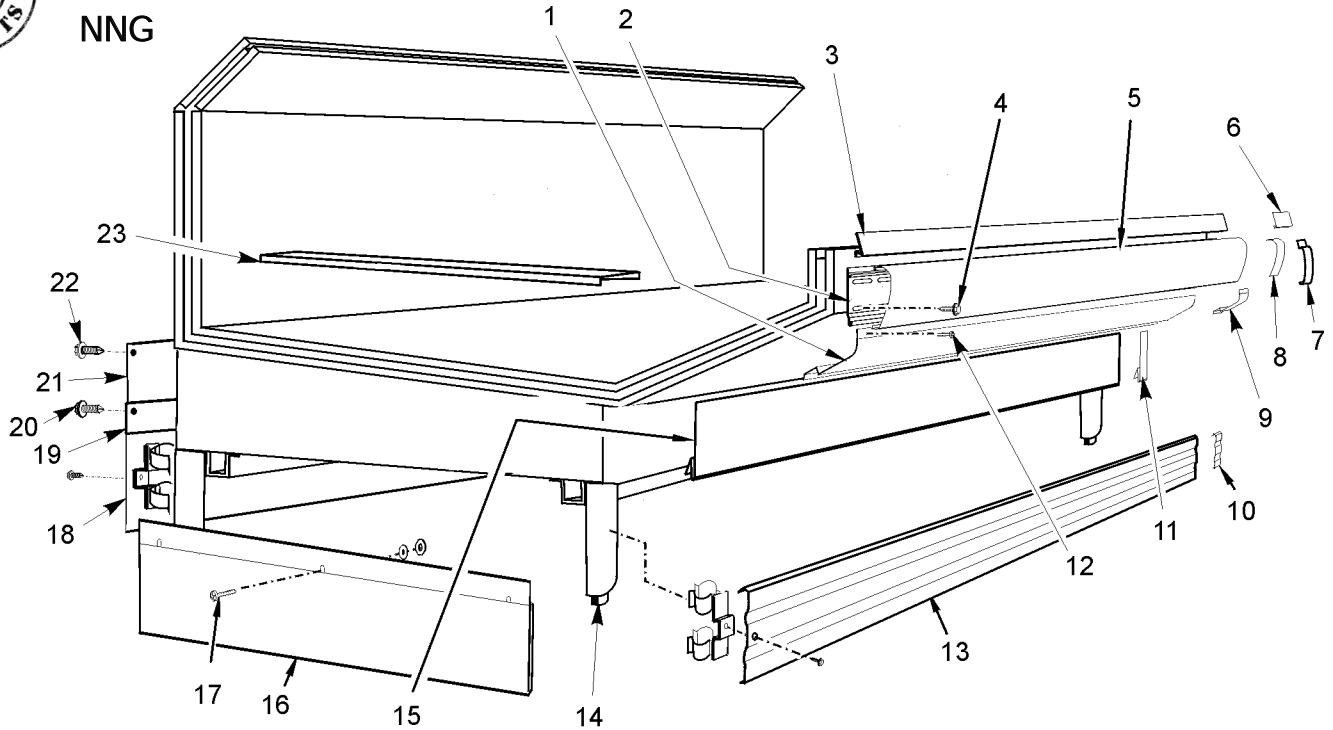
6', 8' and 12' Merchandiser

Item	Part No.	Quantity			Description	Item	Part No.	Quantity			Description
		6'	8'	12'				6'	8'	12'	
1	9024922	1	-	-	UPR FR Cladding, Ptd.	13	9024937	1	-	-	Kickplate Assy. 52"
	9024923	-	1	-	UPR FR Cladding, Ptd.	*	9024938	-	1	-	Kickplate Assy. 52"
	9024924	-	-	1	UPR FR Cladding, Ptd.	*	9024939	-	-	1	Kickplate Assy. 52"
2	9025052	1	-	-	Bumper Retainer	14	9024894	4	4	4	Pipe Legs - 9 3/4"
	9025058	-	1	-	Bumper Retainer	15	9043822	1	-	-	LWR FR Cladding, Ptd.
	9025061	-	-	1	Bumper Retainer		9043823	-	1	-	LWR FR Cladding, Ptd.
3	9025979	1	-	-	Color Band, Ptd.		9043824	-	-	1	LWR FR Cladding, Ptd.
	9025980	-	1	-	Color Band, Ptd.	16	9024986	1	1	1	Base End Close-off - 52"
	9025981	-	-	1	Color Band, Ptd.	17	5208265	3	3	3	Screw
4	9025833	12	16	24	Shoulder Screw		5243597	3	3	3	Flat Washer
5	+	1	1	1	Bumper		5100661	3	3	3	Nut
6	9025655	1	1	1	Color Band Backer, Ptd.	18	9024934	1	-	-	RR Base Close-off Assy.,-52:
7	+	1	1	1	Bumper End Trim		9024935	-	1	-	RR Base Close-off Assy.,-52"
8	+	1	1	1	Bumper Backer		9024936	-	-	1	RR Base Close-off Assy.,-52"
9	9043829	1	1	1	UPR FR CLDG JT Trim	19	9024929	1	-	2	Rear Rail Cover - 6'
	9029415	4	4	4	Screw		9024928	-	2	-	Rear Rail Cover - 4'
	9043828	1	1	1	UPR FR CLDG End Trim	20	9043080	16	24	32	Screw
	9024814	1	1	1	Screw	21	9024770	1	-	-	Lower Rear Shell Cover
10	9043816	1	1	1	Kickplate JT Trim		9024771	-	1	-	Lower Rear Shell Cover
	5619204	4	4	4	Screw		9024772	-	-	1	Lower Rear Shell Cover
11	9043893	1	1	1	LWR FR CLDG JT Trim	22	5183536	4	4	6	Screw
	9029415	4	4	4	Screw	23	5964733	1	1	1	Horizontal End Trim
	9043890	1	1	1	LWR FR CLDG End Trim						
	9024814	1	1	1	Screw						
12	5183536	8	10	14	Screw						

+ See pages C2 thru C4 for parts breakdown per color.



CLADDING, COVERS AND TRIMS  
 OPTIONAL CASE HEIGHT - 3 3/4" LOWER  
 NNG



6', 8' and 12' Merchandiser

Item	Part No.	Quantity			Description	Item	Part No.	Quantity			Description
		6'	8'	12'				6'	8'	12'	
1	9024922	1	-	-	UPR FR Cladding, Ptd.	13	9024937	1	-	-	Kickplate Assy. 48"
	9024923	-	1	-	UPR FR Cladding, Ptd.	*	9024938	-	1	-	Kickplate Assy. 48"
	9024924	-	-	1	UPR FR Cladding, Ptd.	*	9024939	-	-	1	Kickplate Assy. 48"
2	9025052	1	-	-	Bumper Retainer	14	9024893	4	4	4	Pipe Legs - 6"
	9025058	-	1	-	Bumper Retainer	15	9043825	1	-	-	LWR FR Cladding, Ptd.
	9025061	-	-	1	Bumper Retainer		9043826	-	1	-	LWR FR Cladding, Ptd.
3	9025979	1	-	-	Color Band, Ptd.		9043827	-	-	1	LWR FR Cladding, Ptd.
	9025980	-	1	-	Color Band, Ptd.	16	9024986	1	1	1	Base End Close-off - 48"
	9025981	-	-	1	Color Band, Ptd.						
4	9025833	12	16	24	Shoulder Screw	17	5208265	3	3	3	Screw
5	+	1	1	1	Bumper		5243597	3	3	3	Flat Washer
6	9025655	1	1	1	Color Band Backer, Ptd.		5100661	3	3	3	Nut
7	+	1	1	1	Bumper End Trim	18	9024934	1	-	-	RR Base Close-off Assy.,-48:
8	+	1	1	1	Bumper Backer						RR Base Close-off Assy.,-48"
9	9043829	1	1	1	UPR FR CLDG JT Trim		9024935	-	1	-	RR Base Close-off Assy.,-48"
	9029415	4	4	4	Screw		9024936	-	-	1	RR Base Close-off Assy.,-48"
	9043828	1	1	1	UPR FR CLDG End Trim						
	9024814	1	1	1	Screw	19	9024929	1	-	2	Rear Rail Cover - 6'
10	9043816	1	1	1	Kickplate JT Trim		9024928	-	2	-	Rear Rail Cover - 4'
	5619204	4	4	4	Screw	20	9043080	16	24	32	Screw
11	9043893	1	1	1	LWR FR CLDG JT Trim	21	9024770	1	-	-	Lower Rear Shell Cover
	9029415	4	4	4	Screw		9024771	-	1	-	Lower Rear Shell Cover
	9043890	1	1	1	LWR FR CLDG End Trim		9024772	-	-	1	Lower Rear Shell Cover
	9024814	1	1	1	Screw	22	5183536	4	4	6	Screw
12	5183536	8	10	14	Screw	23	5964733	1	1	1	Horizontal End Trim

+ See pages C2 thru C4 for parts breakdown per color.



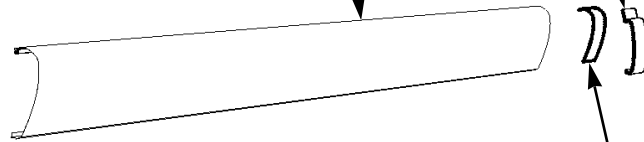
# CLADDING, COVERS AND TRIMS - (CONT'D)

NNG - 6'

Bumper [Item 5] Without Partition (72.312"):		With Partition (73.312"):
Part No.	Color	Part No.
9025031	White	9027159
9025261	Bone White	9027160
9025282	Misty Gray	9027161
9025303	Pearl	9027162
9025324	Oatmeal	9027163
9025345	Soft Sand	9027164
9025366	Chromium	9027165
9025387	Cool Gray	9027166
9025408	Oyster	9027167
9025429	Black	9027168
9026501	Pearly Gates	9029331
9028899	Steel Gray	9028901
9031680	Chocolate	9031682
9031717	Mocha	9031719
9031754	Stone	9031756

## Bumper End Trim [Item 7]

Part No.	Color
9027220	White
9027221	Bone White
9027222	Misty Gray
9027223	Pearl
9027224	Oatmeal
9027225	Soft Sand
9027226	Chromium
9027227	Cool Gray
9027228	Oyster
9027229	Black
9028882	Steel Gray
9029093	Pearly Gates
9034333	Chocolate
9034334	Mocha
9034335	Stone
9023195	RH Bmpr Pusher Brkt
9028082	LH Bmpr Pusher Brkt
5053985	Screw (2 per brkt)



## Bumper Backer [Item 8]

Part No.	Color
9025023	White
9025028	Bone White
9025035	Misty Gray
9025038	Pearl
9025041	Oatmeal
9025079	Pearly Gates
9025253	Soft Sand
9025258	Chromium
9025265	Cool Gray
9025268	Oyster
9025271	Black
9028883	Steel Gray
9031884	Chocolate
9031885	Mocha
9031886	Stone

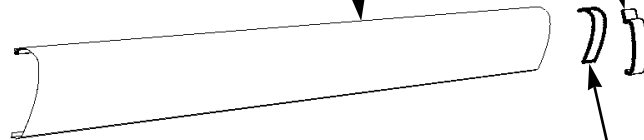


# CLADDING, COVERS AND TRIMS - (CONT'D)

NNG - 8'

Bumper [Item 5] Without Partition (96.437"):		With Partition (97.437"):
Part No.	Color	Part No.
9025037	White	9027189
9025267	Bone White	9027190
9025288	Misty Gray	9027191
9025309	Pearl	9027192
9025330	Oatmeal	9027193
9025351	Soft Sand	9027194
9025372	Chromium	9027195
9025393	Cool Gray	9027196
9025414	Oyster	9027197
9025435	Black	9027198
9028906	Steel Gray	9028908
9029335	Pearly Gates	9029337
9031688	Chocolate	9031690
9031725	Mocha	9031727
9031762	Stone	9031764

Bumper End Trim [Item 7]	
Part No.	Color
9027220	White
9027221	Bone White
9027222	Misty Gray
9027223	Pearl
9027224	Oatmeal
9027225	Soft Sand
9027226	Chromium
9027227	Cool Gray
9027228	Oyster
9027229	Black
9028882	Steel Gray
9029093	Pearly Gates
9034333	Chocolate
9034334	Mocha
9034335	Stone
9023195	RH Bmpr Pusher Brkt
9028082	LH Bmpr Pusher Brkt
5053985	Screw (2 per brkt)



Bumper Backer [Item 8]	
Part No.	Color
9025023	White
9025028	Bone White
9025035	Misty Gray
9025038	Pearl
9025041	Oatmeal
9025079	Pearly Gates
9025253	Soft Sand
9025258	Chromium
9025265	Cool Gray
9025268	Oyster
9025271	Black
9028883	Steel Gray
9031884	Chocolate
9031885	Mocha
9031886	Stone



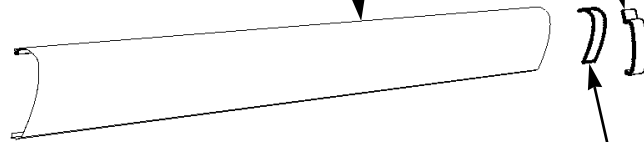
# CLADDING, COVERS AND TRIMS - (CONT'D)

## NNG - 12'

Bumper [Item 5] Without Partition (144.562"):		With Partition (145.562"):
Part No.	Color	Part No.
9025040	White	9027209
9025270	Bone White	9027210
9025291	Misty Gray	9027211
9025312	Pearl	9027212
9025333	Oatmeal	9027213
9025354	Soft Sand	9027214
9025375	Chromium	9027215
9025396	Cool Gray	9027216
9025417	Oyster	9027217
9025438	Black	9027218
9025069	Pearly Gates	9029341
9028913	Steel Gray	9028915
9031696	Chocolate	9031698
9031733	Mocha	9031735
9031770	Stone	9031772

### Bumper End Trim [Item 7]

Part No.	Color
9027220	White
9027221	Bone White
9027222	Misty Gray
9027223	Pearl
9027224	Oatmeal
9027225	Soft Sand
9027226	Chromium
9027227	Cool Gray
9027228	Oyster
9027229	Black
9028882	Steel Gray
9029093	Pearly Gates
9034333	Chocolate
9034334	Mocha
9034335	Stone
9023195	RH Bmpr Pusher Brkt
9028082	LH Bmpr Pusher Brkt
5053985	Screw (2 per brkt)

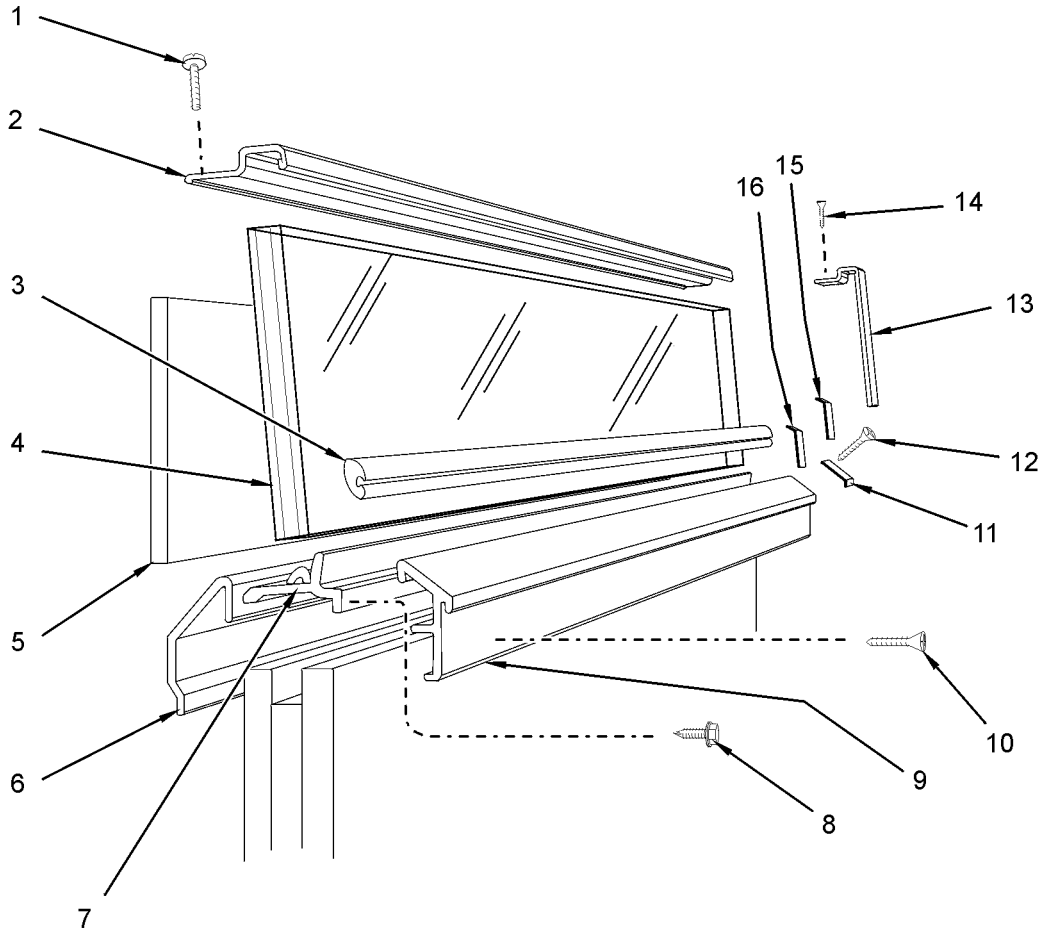


### Bumper Backer [Item 8]

Part No.	Color
9025023	White
9025028	Bone White
9025035	Misty Gray
9025038	Pearl
9025041	Oatmeal
9025079	Pearly Gates
9025253	Soft Sand
9025258	Chromium
9025265	Cool Gray
9025268	Oyster
9025271	Black
9028883	Steel Gray
9031884	Chocolate
9031885	Mocha
9031886	Stone



CLADDING, COVERS AND TRIMS - (CONT'D)  
FRONT GLASS - NNG



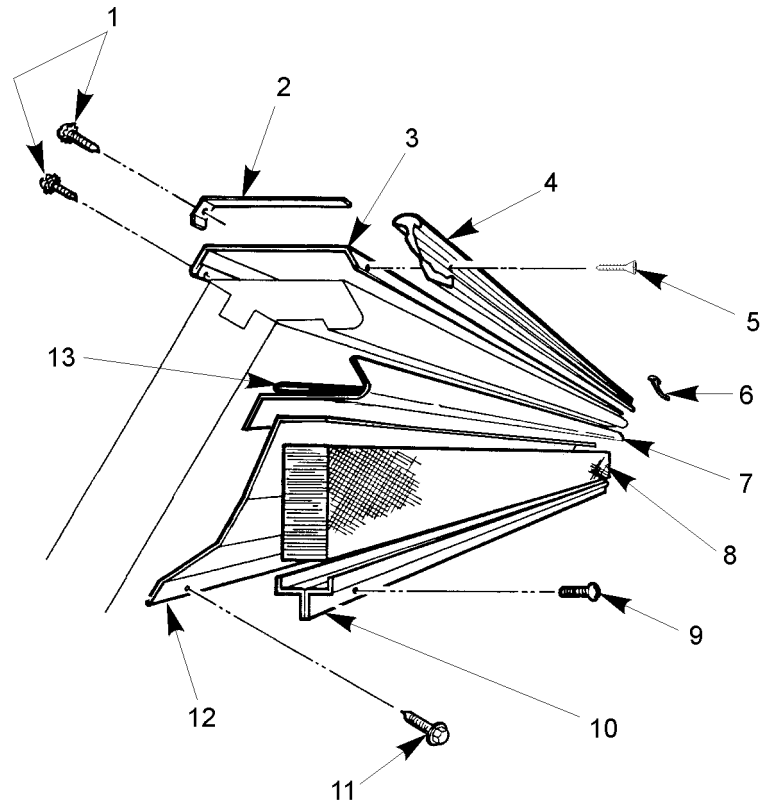
6', 8' and 12' Merchandiser

Item	Part No.	Quantity			Description	Item	Part No.	Quantity			Description
		6'	8'	12'				6'	8'	12'	
1	5102643	3	3	4	Screw	7	5221358	1	-	-	Glass Support
2	9025973	1	-	-	Glass Trim Rail		5962072	-	1	-	Glass Support
	9025974	-	1	-	Glass Trim Rail		5962073	-	-	1	Glass Support
	9025975	-	-	1	Glass Trim Rail	8	5183536	4	5	6	Screw
3	5238565	6'	8'	12'	Front Glass Seal	9	5240403	1	-	-	Front Glass Retainer
	9026030	1	-	-	Front Glass		5240404	-	1	-	Front Glass Retainer
	9026031	-	1	-	Front Glass		5240405	-	-	1	Front Glass Retainer
5	9026032	-	-	1	Front Glass	10	5612692	4	6	8	Screw
	5221308	2	-	-	Barrier Plexiglas	11	9028730	1	1	1	Glass Retainer Joint Trim
6	5201011	-	2	3	Barrier Plexiglas	12	9024814	2	2	2	Screw
	5964719	1	-	-	Rear Glass Retainer	13	9034801	1	1	1	Glass Joint Trim
	5964720	-	1	-	Rear Glass Retainer	14	9029415	1	1	1	Screw
	5964721	-	-	1	Rear Glass Retainer	15	9028730	1	1	1	Glass Rtnr. JT Trim
						15	9028729	1	1	1	Glass Rtnr. End Trim





**STRUCTURAL COMPONENTS**  
**DUCTS, REAR RISERS AND Z-BARS - NNG**  
**Rear Risers**

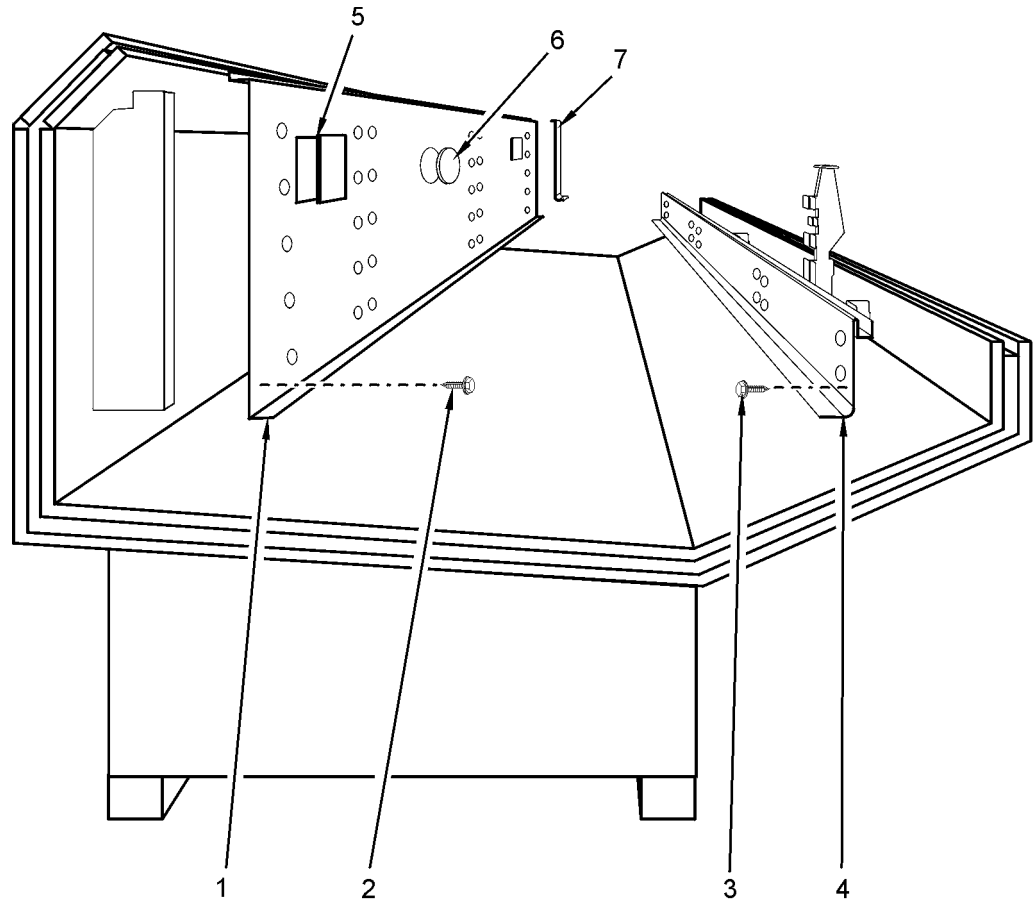


**6', 8' and 12' Merchandiser**

Item	Part No.	Quantity			Description	Item	Part No.	Quantity			Description
		6'	8'	12'				6'	8'	12'	
1	9024814	6	7	9	Screw	9	5102643	4	5	7	Screw
2	5964734	1	1	1	Rear Riser JT Trim	10	5239608	1	-	-	Lower Grid Retainer
3	5964673	1	-	-	UPR RR Riser Trim		5988857	-	2	3	Lower Grid Retainer
	5964674	-	1	-	UPR RR Riser Trim	11	5183536	12	12	12	Screw
	5964675	-	-	1	UPR RR Riser Trim	12	9044236	1	-	-	Air Squeezer
4	5236878	1	-	-	Card Molding, 1 1/4"		9044237	-	1	-	Air Squeezer
	5236930	-	1	-	Card Molding, 1 1/4"		9044238	-	-	1	Air Squeezer
	5236936	-	-	1	Card Molding, 1 1/4"	13	5227379	1	-	-	Anti-Sweat Heater, 44 ohms/ft
5	9024814	5	6	8	Screw		5124216	-	1	-	Anti-Sweat Heater, 25 ohms/ft
6	5941919	1	1	1	Card Mldg. Joint Trim		5124217	-	-	1	Anti-Sweat Heater, 11 ohms/ft
7	9044239	1	-	-	Lower Riser Trim						
	9044240	-	1	-	Lower Riser Trim						
	9044241	-	-	1	Lower Riser Trim						
8	5216668	2	-	-	Discharge Grid-3'						
	5208576	-	2	3	Discharge Grid-4'						



STRUCTURAL COMPONENTS - (CONT'D)  
 DUCTS, REAR RISERS AND Z-BARS - NNG

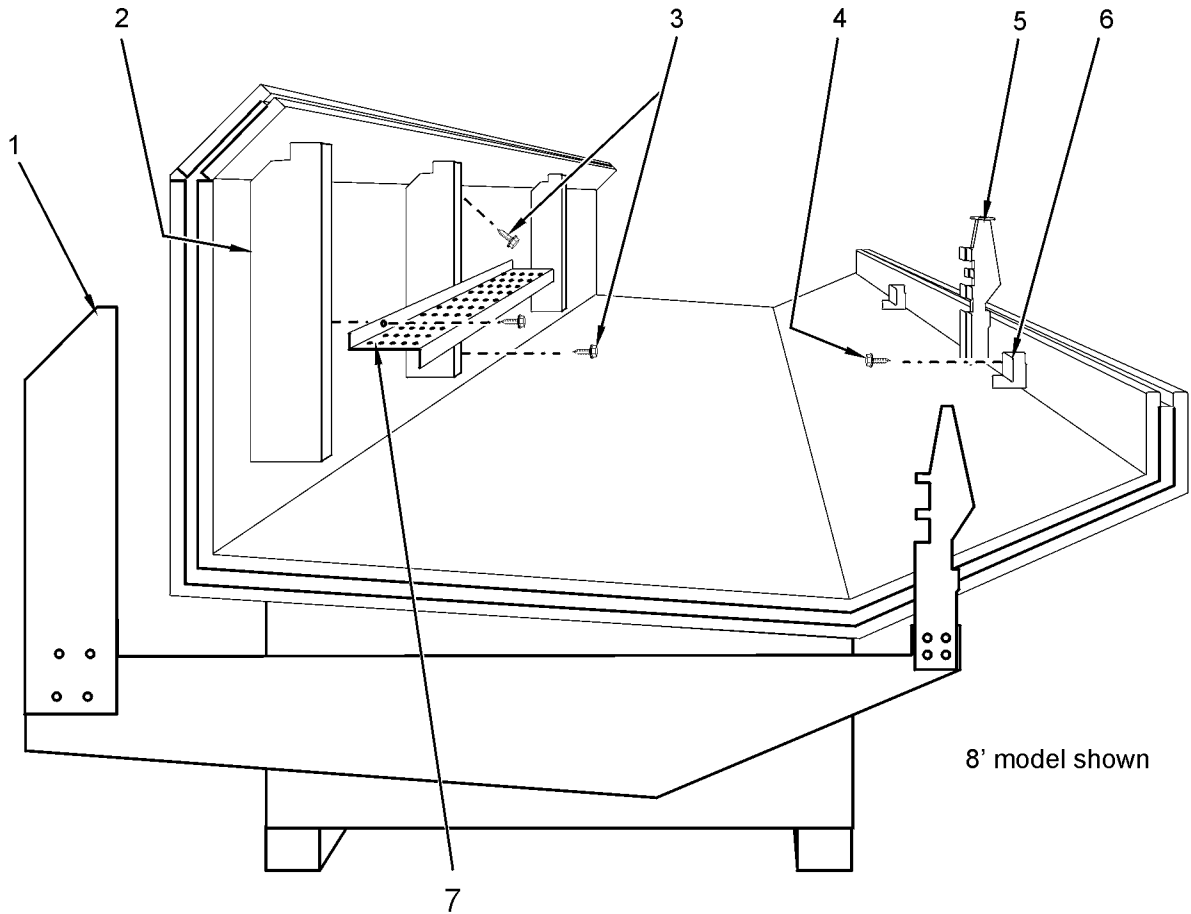


6', 8' and 12' Merchandiser

Item	Part No.	Quantity			Description
		6'	8'	12'	
1	9044227	1	-	-	Rear Duct
	9044230	-	1	-	Rear Duct
	9044233	-	-	1	Rear Duct
	5205439	4	4	4	Screw
2	5205439	12	14	18	Screw
3	5048626	3	3	4	Screw
4	9044242	1	-	-	Front Duct
	9044245	-	1	-	Front Duct
	9044248	-	-	1	Front Duct
5	5646033	2	2	2	Access Cover
6	5238710	1	1	1	Plug Button
7	5964735	1	1	1	Rear Duct Joint Trim
	9024814	2	2	2	Screw



STRUCTURAL COMPONENTS - (CONT'D)  
 DUCTS, REAR RISERS AND Z-BARS - NNG

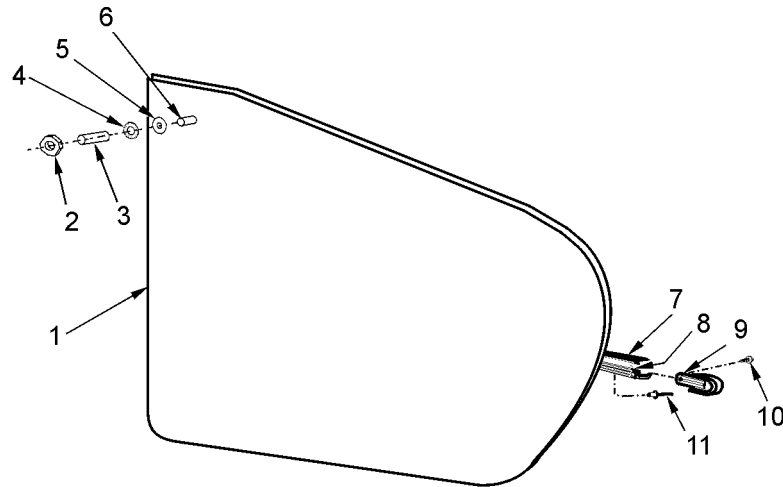


6', 8' and 12' Merchandiser

Item	Part No.	Quantity			Description	Item	Part No.	Quantity			Description
		6'	8'	12'				6'	8'	12'	
1	9043810	1	1	1	RH End Weld Assy.	2	9044217	2	3	5	Rear Z-Bar
	9043811	1	1	1	LH End Weld Assy.	3	5183536	6	13	21	Screw
	9044178	1	1	1	RH Rear Post	4	5183536	-	4	6	Screw
	9044179	1	1	1	LH Rear Post	5	<b>9043804</b>	1	1	2	<b>Center Glass Support Assy.</b>
	9043805	1	1	1	RH End Liner		1309067	2	2	4	Screw
	9043806	1	1	1	LH End Liner	6	5964714	-	2	3	Front Z-Bar
	9043807	1	1	1	RH Glass End Support	7	9044216	3	4	6	Air Diffuser
	9043808	1	1	1	LH Glass End Support		5183536	6	8	12	Screw



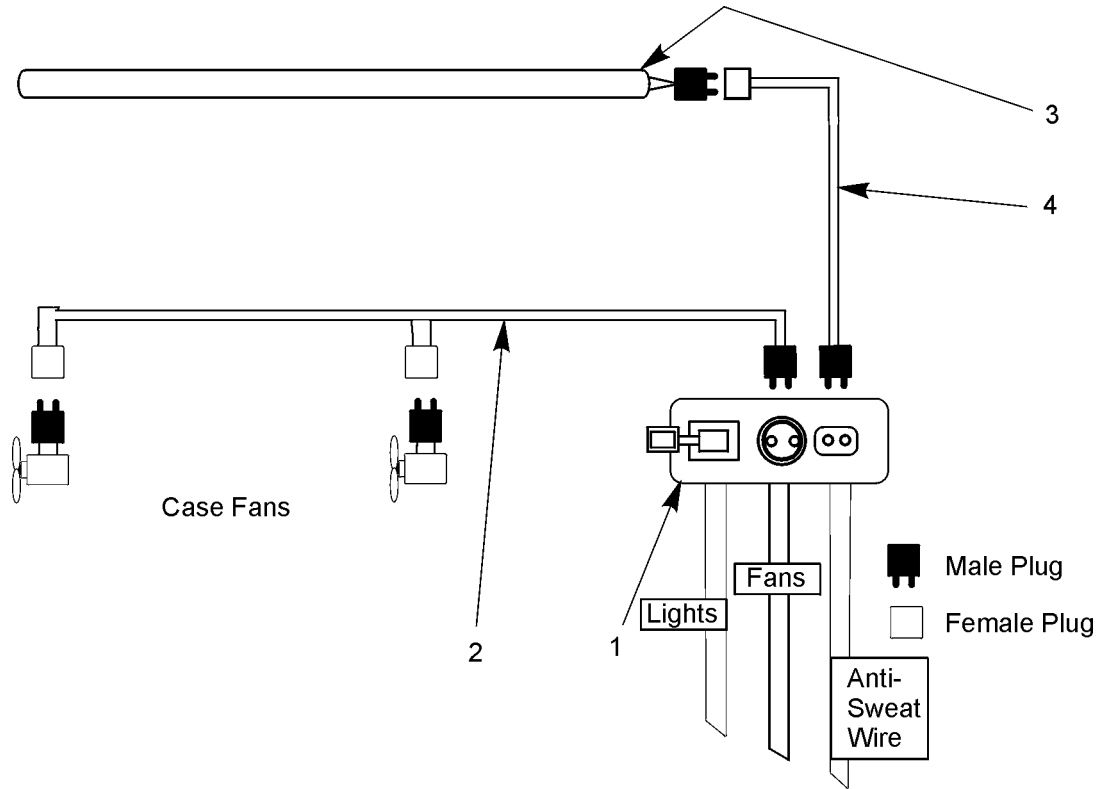
STRUCTURAL COMPONENTS - (CONT'D)  
 PATCH ENDS, PARTITIONS AND DIVIDERS - NNG  
 29" Solid Patch Ends



Item	Part No.	Qty.	Description	Item	Part No.	Qty.	Description
*	9044267	1	RH Solid End Assy., Ptd. w/Ptd. Liner	*	9023471	1	1" End Bumper Pair Assy., Pearly Gates
*	9044268	1	LH Solid End Assy., Ptd. w/Ptd. Liner	*	9023479	1	1" End Bumper Pair Assy., Cool Gray
*	9044269	1	RH Solid End Assy., Ptd. w/BRT SS Liner	*	9023488	1	1" End Bumper Pair Assy., Black
*	9044270	1	LH Solid End Assy., Ptd. w/BRT SS Liner	*	9023497	1	1" End Bumper Pair Assy., Pearl
*	9044271	1	RH Solid End Assy., Ptd. w/MB SS Liner	*	9040179	1	1" End Bumper Pair Assy., Steel Gray
*	9044272	1	LH Solid End Assy., Ptd. w/MB SS Liner	7	9027973	1	1" End Bumper, Cool Gray - 33"
1	9044261	1	RH Bench Assy., Ptd. w/Ptd. Liner		9027974	1	1" End Bumper, Black - 33"
	9044262	1	LH Bench Assy., Ptd. w/Ptd. Liner		9027975	1	1" End Bumper, Pearl - 33"
	9044263	1	RH Bench Assy., Ptd. w/BRT SS Liner		9029311	1	1" End Bumper, Pearly Gates - 33"
	9044264	1	LH Bench Assy., Ptd. w/BRT SS Liner		9040180	1	1" End Bumper, Steel Gray - 33"
	9044265	1	RH Bench Assy., Ptd. w/MB SS Liner		9023460	1	1" End Bumper, Cool Gray - 39"
	9044266	1	LH Bench Assy., Ptd. w/MB SS Liner		9023461	1	1" End Bumper, Black - 39"
2	5100625	4	Nut, 5/16"-18		9023462	1	1" End Bumper, Pearl - 39"
3	9022759	4	Stud, 5/16"-18 x 3"		9023459	1	1" End Bumper, Pearly Gates - 39"
4	5101003	4	Lockwasher		9310876	1	1" End Bumper, Steel Gray - 39"
5	5100976	4	Washer	8	9027882	1	Mounting Retainer - 35"
6	9022756	4	Threaded Insert		9023453	1	Mounting Retainer - 41"
	9022760	4	Tapping Plate	9	9026528	4	End Cap, Pearly Gates
					9027742	4	End Cap, Pearl
					9027743	4	End Cap, Cool Gray
					9027744	4	End Cap, Black
					9310881	4	End Cap, Steel Gray
				10	5183536	4	Screw
				11	5104702	17	Rivet



ELECTRICAL SYSTEM COMPONENTS  
 WIRING HARNESSES - NNG  
 Wiring and Components

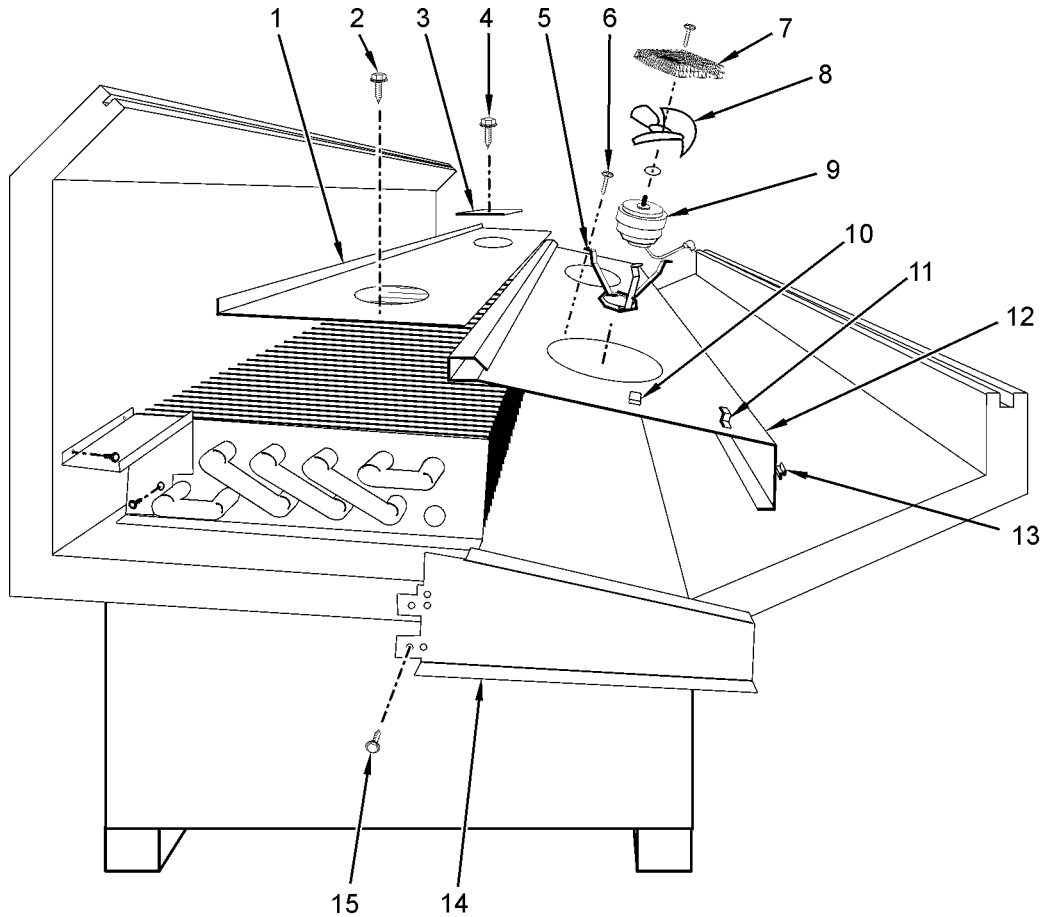


6', 8' and 12' Merchandiser

Item	Part No.	Quantity			Description
		6'	8'	12'	
1	9041306	1	1	1	120V Power Input
2	5211558	1	1	-	Fan Harness
	5211559	-	-	1	Fan Harness
	5149769	2	2	2	Dummy Plug
	5202500	1	1	1	Dummy Plug
3	5227379	1	-	-	Anti-Sweat Heater, 44 ohms/ft
	5124216	-	1	-	Anti-Sweat Heater, 25 ohms/ft
	5124217	-	-	1	Anti-Sweat Heater, 11 ohms/ft
4	5123832	1	1	1	Anti-Sweat Harness



ELECTRICAL SYSTEM COMPONENTS - (CONT'D)  
FAN SYSTEMS - NNG

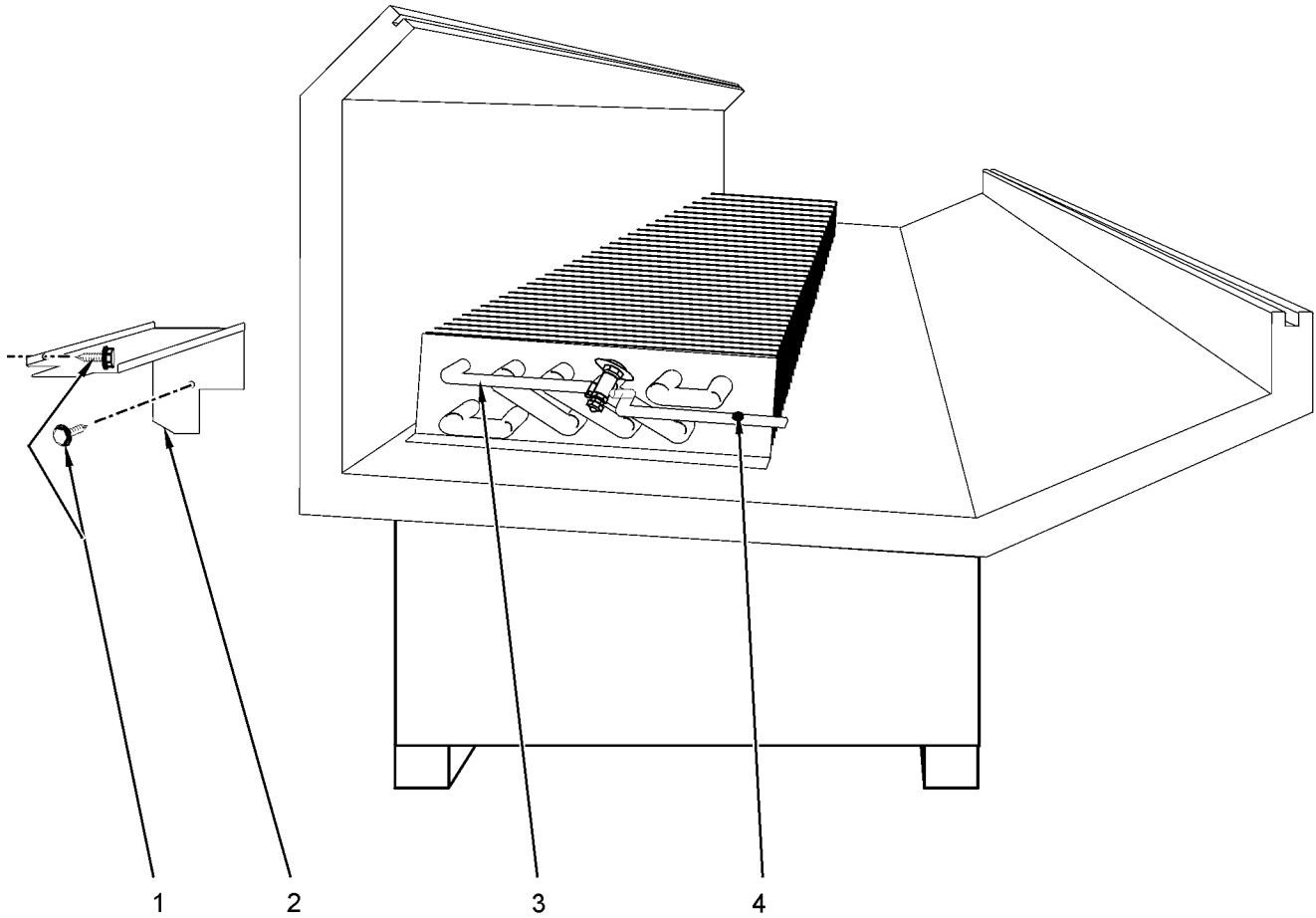


6', 8' and 12' Merchandiser

Item	Part No.	Quantity			Description	Item	Part No.	Quantity			Description
		6'	8'	12'				6'	8'	12'	
1	5964676	1	-	-	Top Coil Close-off	9	5125532	2	2	3	Fan Motor, -5W
	5964677	-	1	-	Top Coil Close-off		9025002	2	2	3	Opt. ECM Fan Motor, 8W
	5964678	-	-	1	Top Coil Close-off						
2	5183536	8	8	10	Screw	10	5149769	1	1	1	Dummy Plug
3	5205171	2	2	2	Access Cover		5123674	3	3	4	Strain Relief
4	5183536	4	4	4	Screw	11	5206177	2	2	3	Fan Harness Clip
*	<b>5236973</b>	<b>2</b>	<b>2</b>	<b>3</b>	<b>Fan Motor Assy.</b>	12	9037106	1	-	-	Fan Panel
*	<b>9025011</b>	<b>2</b>	<b>2</b>	<b>3</b>	<b>Opt. ECM Fan Motor Assy.</b>		9037125	-	1	-	Fan Panel
							9037130	-	-	1	Fan Panel
5	5962269	6	6	9	Bracket	13	5120359	-	5	8	Wire Clip
	9041077	2	2	3	Fan Bracket MTG Plate	14	9037104	1	1	1	LH Fan Panel Close-off
							9037103	1	1	1	RH Fan Panel Close-off
6	5224128	6	6	9	Screw						
7	5063030	2	2	3	Fan Guard	15	5183536	10	10	10	Screw
8	5236974	2	2	3	Fan Blade, 7" 25°						



# REFRIGERATION SYSTEM COMPONENTS COIL ASSEMBLIES - NNG

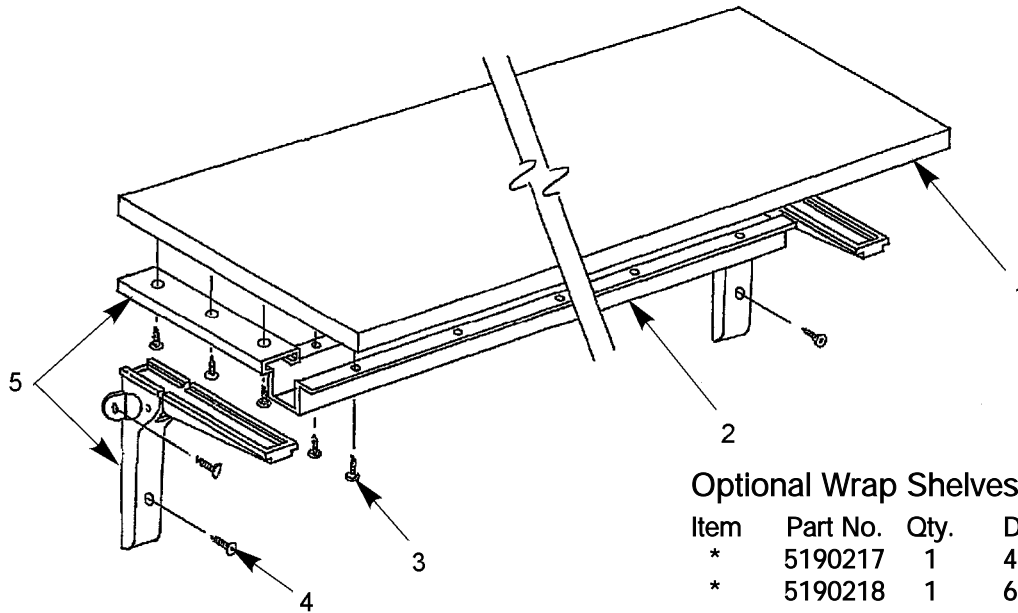


6', 8' and 12' Merchandiser

Item	Part No.	Quantity			Description
		6'	8'	12'	
1	5183536	8	8	8	Screw
2	5964707	1	1	1	RH Coil Close-off
	5964708	1	1	1	LH Coil Close-off
	5147584	1	1	1	Rubber Grommet (LH Close-off Only)
*	9037118	1	-	-	Coil & Fittings Assy.
*	9037127	-	1	-	Coil & Fittings Assy.
*	9037131	-	-	1	Coil & Fittings Assy.
	5955650	1	-	-	Coil
	5955651	-	1	-	Coil
	5228721	-	-	1	Coil
3	5220876	1	1	1	Liquid Line
4	5624902	1	1	1	Schrader Valve

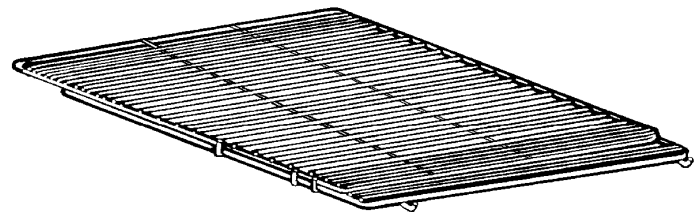


**OPTIONAL CASE ACCESSORIES**  
**SHELVES AND SCREENS**  
 Optional Wrap Shelves and Telescoping Screens



**Optional Wrap Shelves**

Item	Part No.	Qty.	Description
*	5190217	1	48" Wrap Shelf Assy.
*	5190218	1	60" Wrap Shelf Assy.
1	5190222	1	48" Wrap Shelf
	5190221	1	60" Wrap Shelf
2	5190220	1	Channel Reinforcement (48" shelf only)
3	5123781	14	Screw (48" shelf)
	5123781	9	Screw (60" shelf)
4	1309067	3	Screw (48" shelf)
	1309067	9	Screw (60" shelf)
5	5182581	2	Bracket (48" shelf)
	5182581	3	Bracket (60" shelf)



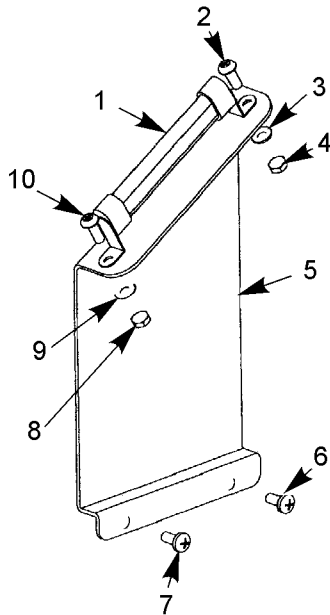
**Optional Telescoping Screens**

Item	Part No.	Quantity			Description
		6'	8'	12'	
-	5956420	1	-	-	Tlscp. Screen Set
-	5204578	-	1	-	Tlscp. Screen Set
-	5204579	-	-	1	Tlscp. Screen Set
	5199443	3	4	6	Tlscp. Screen, WPC
-	5999848	1	-	-	Tlscp. Screen Set
-	5999849	-	1	-	Tlscp. Screen Set
-	5999850	-	-	1	Tlscp. Screen Set
	5997065	3	4	6	Tlscp. Screen, BPC



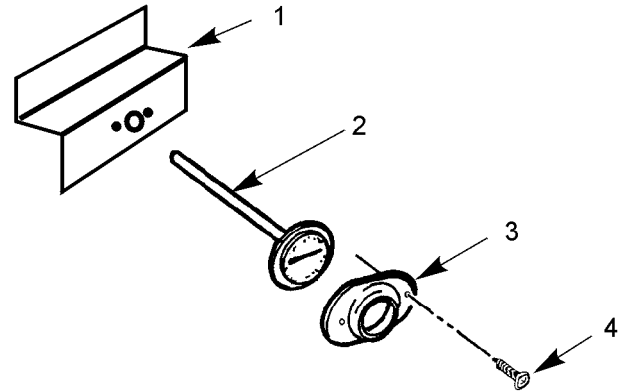


## OPTIONAL CASE ACCESSORIES - (CONT'D) THERMOMETERS



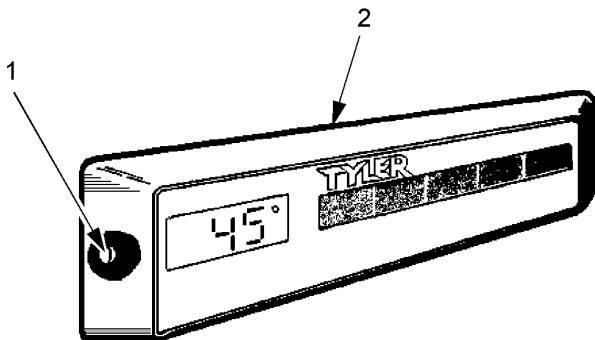
### Standard Thermometer & Mounting

Item	Part No.	Qty.	Description
*	9044252	1	Thermometer Assembly
1	5967100	1	Pencil Thermometer
2	5208265	1	Screw
3	5100387	1	Lock Washer
4	5100661	1	Nut
5	9044251	1	Bracket
6	9024883	1	Screw
7	9024883	1	Screw
8	5100661	1	Nut
9	5100387	1	Flat Washer
10	5208265	1	Screw



### 1" Dial Thermometer, Discharge Air

Item	Part No.	Qty.	Description
*	5986690	1	Thermometer Assy.
1	5207623	1	Thermometer Bracket
2	5203829	1	1" Dial Thermometer
3	----	1	Mounting Ring (furnished with thermometer)
4	5219883	2	Screw



### Digital Solar Thermometer

Item	Part No.	Qty.	Description
*	5230912	1	Digital Thermometer Assy., F°
*	5992540	1	Digital Thermometer Assy., C°
1	5230884	2	Screw
2	5239500	1	Digital Thermometer, F°
	5239501	1	Digital Thermometer, C°
-	5100902	1	Clamp, Plastic
-	5127438	2	Rear Deflector Spacer
-	5185153	1	Screw
	5111198	1	Nut