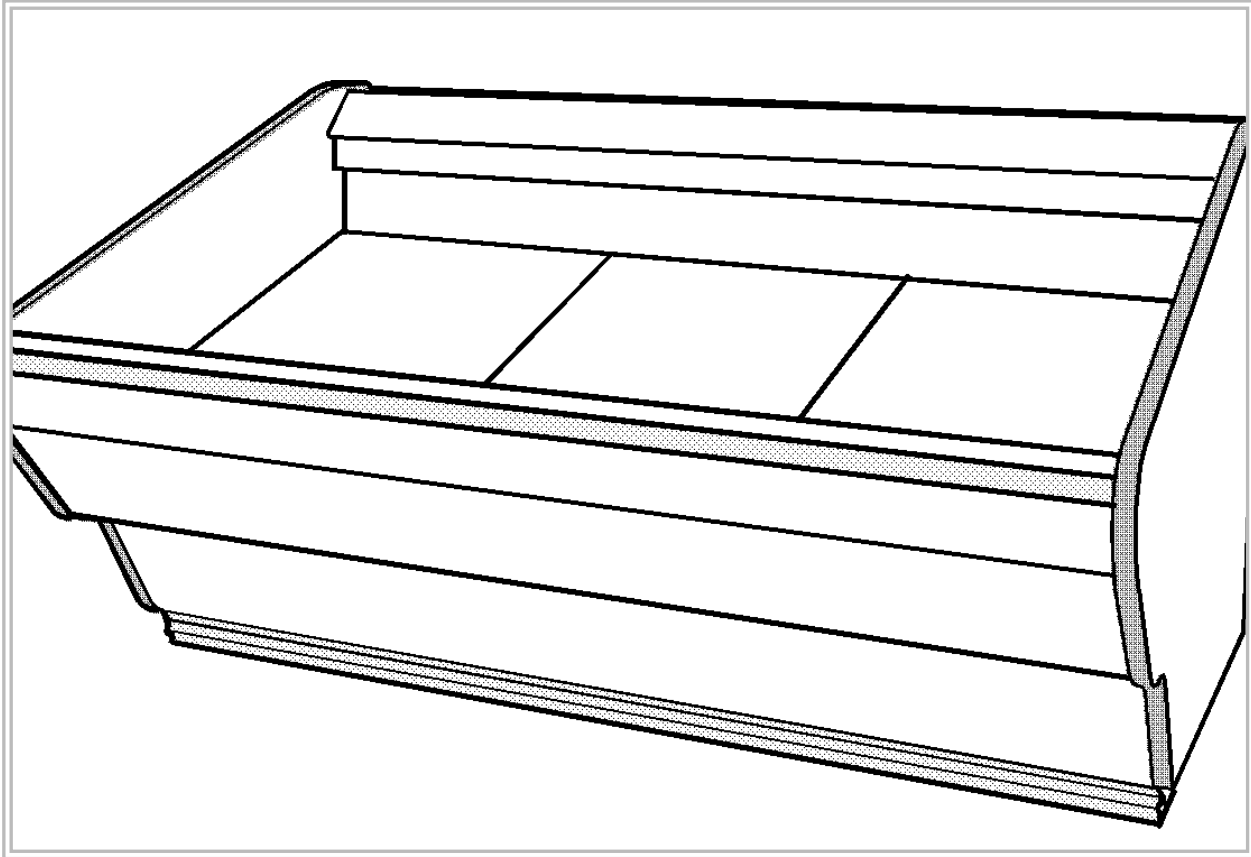


# Replacement Parts <sup>series</sup> Advantage



## Single Deck Produce Merchandiser

Production began September 29, 2000

9000600	NP8	Med-Temp	8' Single Deck Produce Merchandiser
9000601	NP12	Med-Temp	12' Single Deck Produce Merchandiser

## NP



Issue date: OCTOBER 2000

Replaces issue:

Part number: 9037187

Revision:

Tyler Refrigeration Corporation Niles, MI 49120  
Parts information subject to change without notice  
Printed in U.S.A.

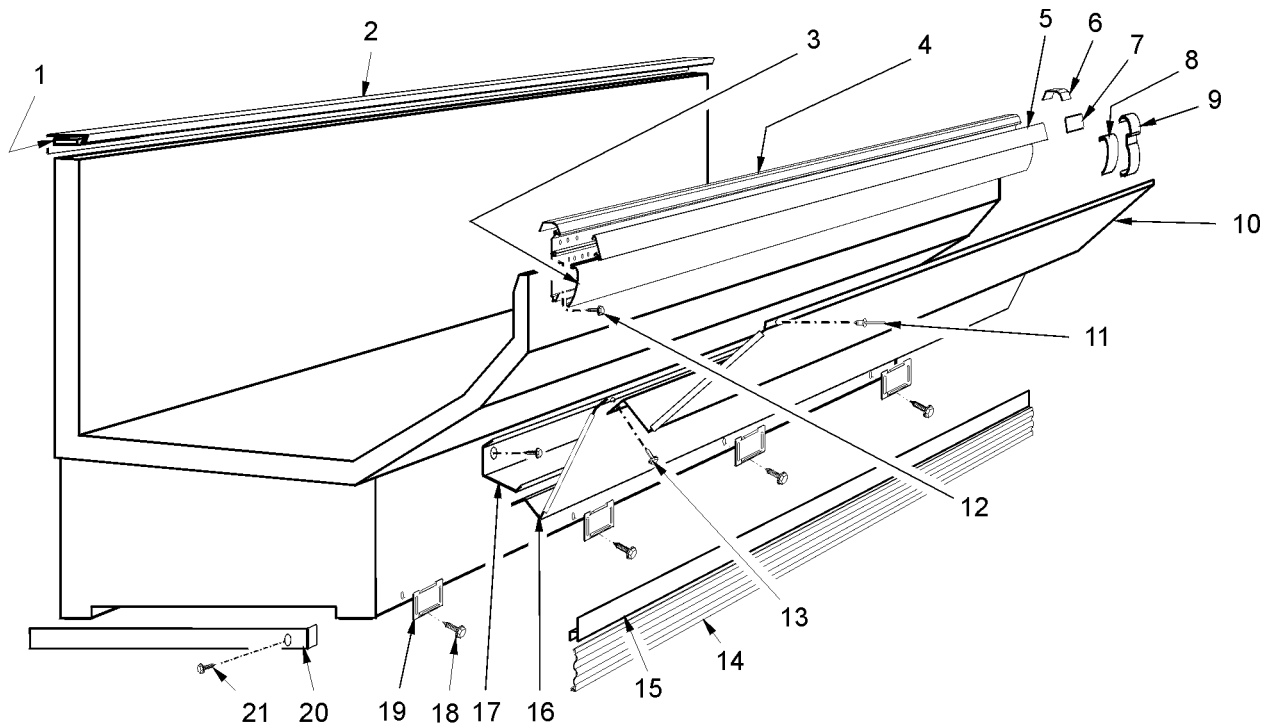


# CONTENTS

	<u>Page</u>
Cladding, Covers and Trims .....	C1-C3
<b>Structural Components</b>	
Ducts and Z-Bars .....	S1
Optional Superstructure Components .....	S2
Patch Ends, Partitions and Dividers	
Solid Patch Ends .....	S3, S4
Optional Produce Extender .....	S5, S6
<b>Electrical System Components</b>	
Wiring Harnesses	
Wiring and Components .....	E1
Fan Systems .....	E2
<b>Refrigeration System Components</b>	
Coil Assemblies .....	R1
<b>Optional Case Accessories</b>	
Water Station Components .....	A1
Screens, Dividers, Fences Trays, Covers, Hanger Support and Service Bell ..	A2 - A5
Thermometers .....	A6 - A7
Thermostats .....	A8



# CLADDING, COVERS AND TRIMS



## 8' and 12' Merchandiser

Item	Part No.	Quantity		Description	Item	Part No.	Quantity		Description	
		8'	12'				8'	12'		
1	5198945	1	1	Masonite, 95 13/16"	11	9025202	-	1	UPR Front Cladding, PTD	
	5198944	-	1	Masonite, 48"		5104702	3	3	Rivet	
	5105037	8	12	Rivet		12	9025833	16	24	Shoulder Screw
2	5198942	1	-	Rear Riser Trim, MB SS	13	5183536	6	8	Screw	
	5198943	-	1	Rear Riser Trim, MB SS		14	+	1	1	Kickplate
	5619204	4	6	Screw		9041790	1	1	Kickplate Backer	
3	+	1	1	Bumper	15	+	1	1	Kickplate Extension (Optional)	
4	+	1	1	Bumper Retainer	16	9025203	1	-	LWR Front Cladding, PTD	
5	9023798	1	-	Color Band, PTD		9025204	-	1	LWR Front Cladding, PTD	
	9023800	-	1	Color Band, PTD	17	9025127	1	-	Raceway	
6	9025316	1	1	Bumper Retainer Backer, PTD		9025128	-	1	Raceway	
					5183536	6	6	Screw		
7	9040223	1	1	Color Band Backer, PTD	18	9029131	3	4	Screw	
8	+	1	1	Bumper Backer	19	9041329	3	4	Kickplate Support	
9	+	1	1	Bumper End Trim	20	9022459	1	1	LH End Base Close-off	
10	9025201	1	-	UPR Front Cladding, PTD		9022466	1	1	RH End Base Close-off	
					21	5048626	6	6	Screw	

+ See pages C2 thru C3 for parts breakdown per color.



# CLADDING, COVERS AND TRIMS - (CONT'D)

NP - 8'

**Bumper Retainer [Item 4]  
Without Partition  
(96.062"):**

Part No.	Color
9025421	Pearly Gates
9025491	White
9025504	Bone White
9025517	Misty Gray
9025530	Pearl
9025543	Oatmeal
9025557	Soft Sand
9025570	Chromium
9025583	Cool Gray
9025596	Oyster
9025609	Black
9028935	Steel Gray
9031792	Chocolate
9031819	Mocha
9031873	Stone

**With Partition  
(97.062"):**

Part No.
9301760
9026949
9026950
9026951
9026952
9026953
9026954
9026955
9026956
9026957
9026958
9028937
9031794
9031821
9031875

**Bumper End Trim [Item 9]**

Part No.	Color
9027220	White
9027221	Bone White
9027222	Misty Gray
9027223	Pearl
9027224	Oatmeal
9027225	Soft Sand
9027226	Chromium
9027227	Cool Gray
9027228	Oyster
9027229	Black
9028882	Steel Gray
9029093	Pearly Gates
9034333	Chocolate
9034334	Mocha
9034335	Stone
9023195	RH Bmpr Pusher Brkt
9028082	LH Bmpr Pusher Brkt
5053985	Screw (2 per brkt)

**Bumper Backer [Item 8]**

Part No.	Color
9025023	White
9025028	Bone White
9025035	Misty Gray
9025038	Pearl
9025041	Oatmeal
9025079	Pearly Gates
9025253	Soft Sand
9025258	Chromium
9025265	Cool Gray
9025268	Oyster
9025271	Black
9028883	Steel Gray
9031884	Chocolate
9031885	Mocha
9031886	Stone

**Bumper [Item 3]  
Without Partition  
(96.062"):**

Part No.	Color
9025036	White
9025067	Pearly Gates
9025266	Bone White
9025287	Misty Gray
9025308	Pearl
9025329	Oatmeal
9025350	Soft Sand
9025371	Chromium
9025392	Cool Gray
9025413	Oyster
9025434	Black
9028905	Steel Gray
9031687	Chocolate
9031724	Mocha
9031761	Stone

**With Partition  
(97.062"):**

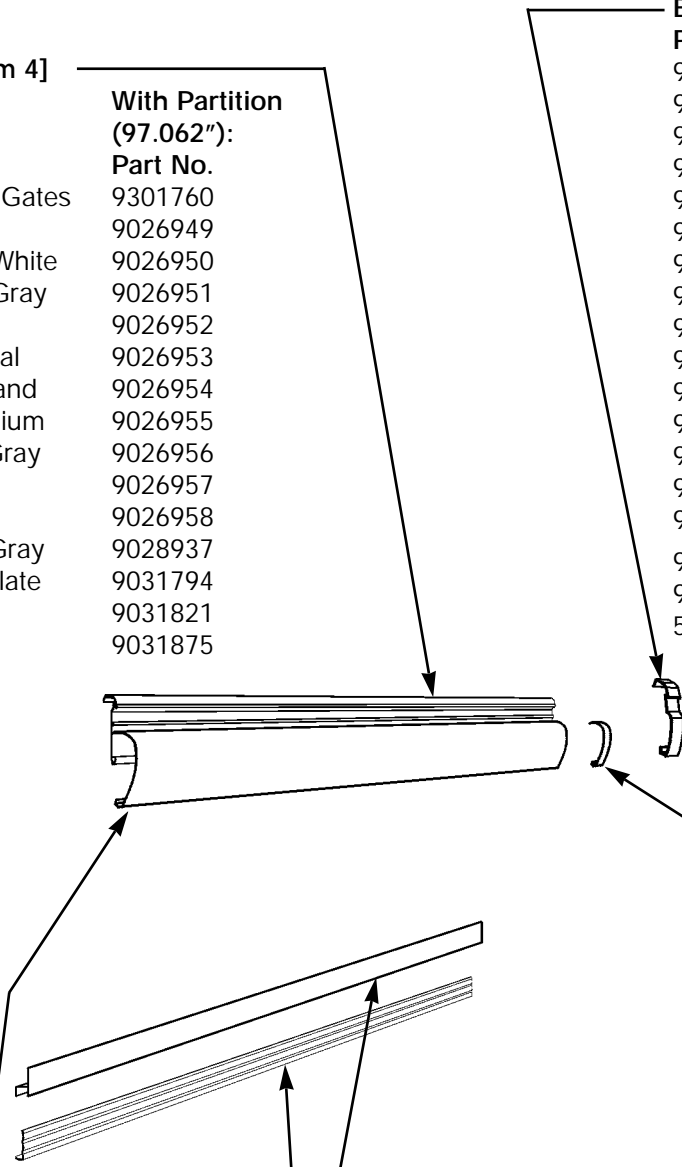
Part No.
9027179
9301745
9027180
9027181
9027182
9027183
9027184
9027185
9027186
9027187
9027188
9028907
9031689
9031726
9031763

**Optional Kickplate Extension [Item 15]**

Without Partition (96.063")		With Partition (97.063")	
Part No.	Color	Part No.	Color
9042868	Cool Gray	9042876	
9042869	Black	9042877	
9042870	Pearl	9042878	
9042871	Steel Gray	9042879	

**Kickplate [Item 14]**

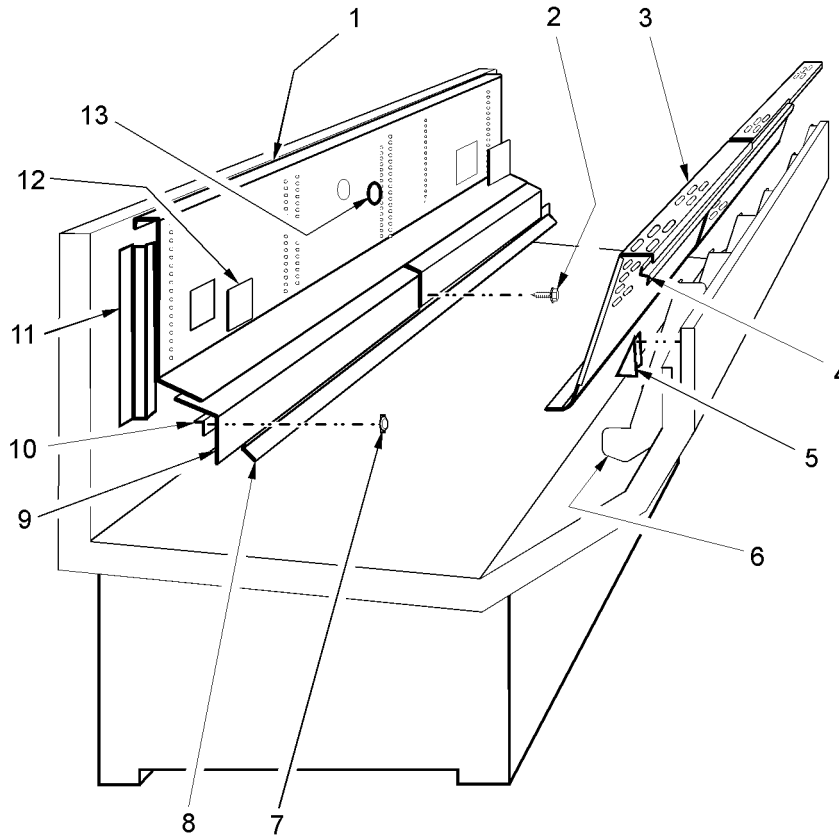
Without Partition (96.063")		With Partition (97.063")	
Part No.	Color	Part No.	Color
9041690	Cool Gray	9041700	
9041691	Black	9041701	
9041692	Pearl	9041702	
9041694	Steel Gray	9041704	







# STRUCTURAL COMPONENTS DUCTS AND Z-BARS - NP

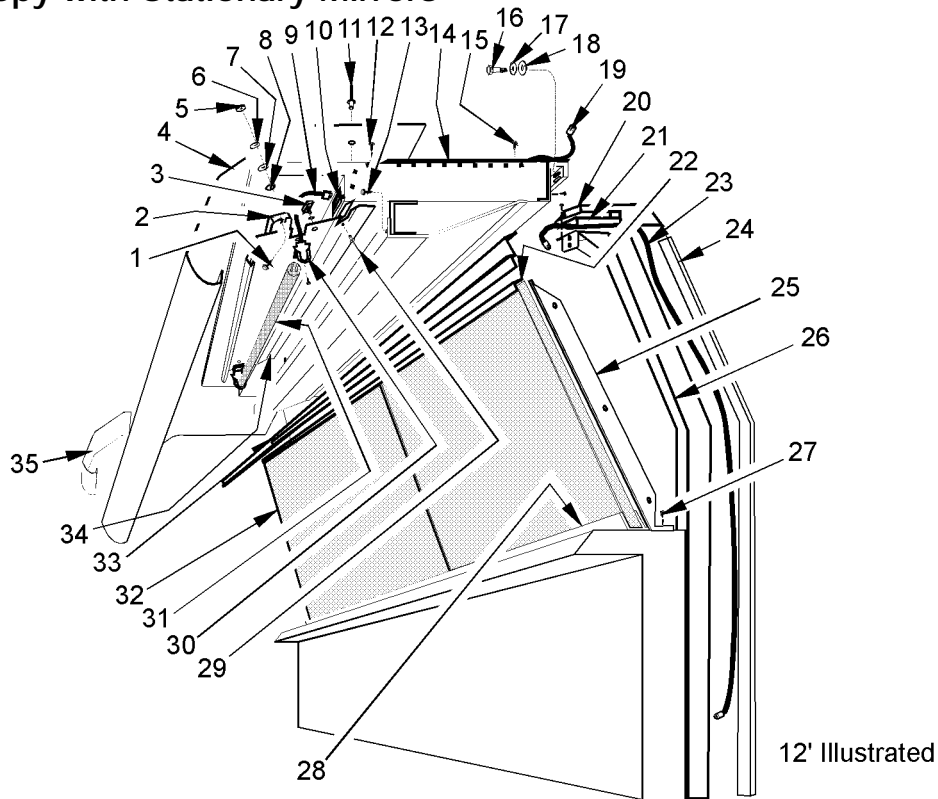


## 8' and 12' Merchandiser

Item	Part No.	Quantity		Description	Item	Part No.	Quantity		Description
		8'	12'				8'	12'	
1	5198955	1	-	Rear Duct	7	5185321	4	6	Fastener, Q4
	5198956	-	1	Rear Duct	8	9028538	1	-	Fan Panel Support
2	5183536	9	13	Screw		9028549	-	1	Fan Panel Support
3	5198959	2	3	Front Duct	9	9028546	2	3	Coil Close-off, Removable
4	5248045	2	3	Front Duct Clip	10	5199917	1	-	Coil Close-off Support
	5183536	4	6	Screw		5199918	-	1	Coil Close-off Support
5	5202803	1	1	LH End Close-off		5104702	3	4	Rivet
	5202802	1	1	RH End Close-off	11	5198912	3	5	Rear Z-Bar
	5183536	4	4	Screw (2 per close-off)		5120943	6	10	Screw (2 per Z-bar)
	5198592	1	-	Foam Cover	12	5646033	2	2	Inspection Cover
	5198593	-	1	Foam Cover		5183536	2	2	Screw
6	5218722	6	9	Front Z-Bar	13	5233710	1	1	Plug Button, 2 1/2"
	5183536	12	18	Screw (2 per Z-bar)					



**STRUCTURAL COMPONENTS - (CONT'D)**  
**OPTIONAL SUPERSTRUCTURE COMPONENTS - NP**  
**Canopy with Stationary Mirrors**

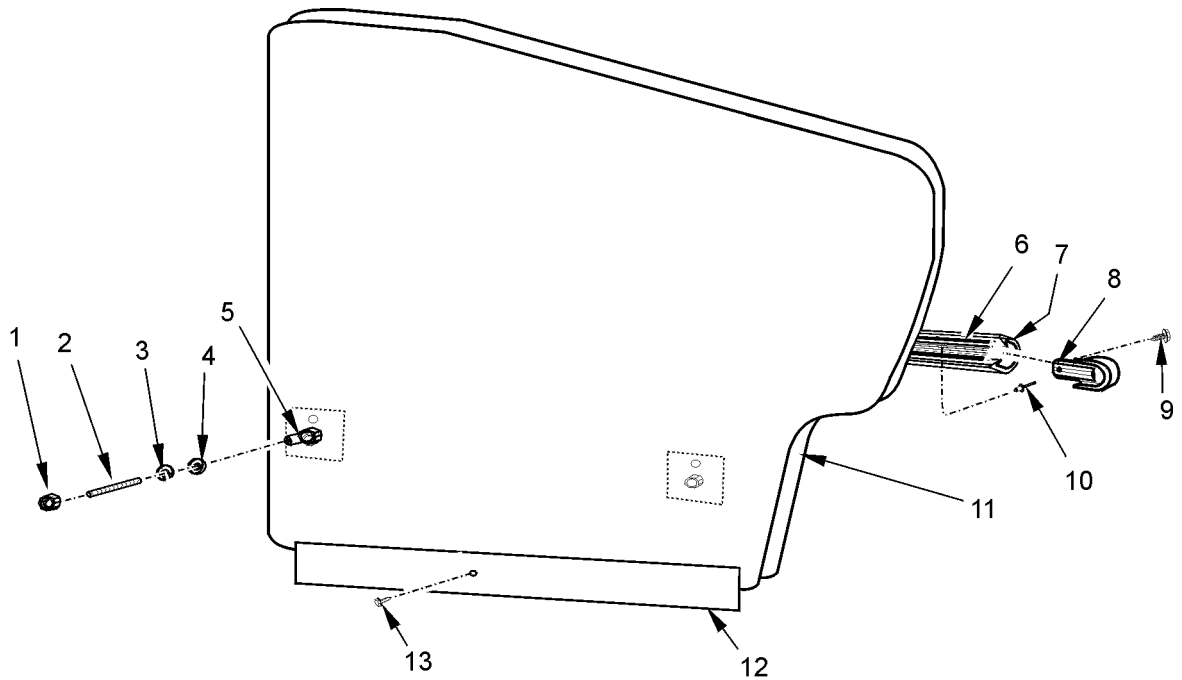


**8' and 12' Merchandiser**

Item	Part No.	Quantity		Description	Item	Part No.	Quantity		Description
		8'	12'				8'	12'	
*	9020574	1	-	Canopy w/ Mirror Assy.	21	5213247	1	1	Light Harness Raceway
*	9020575	-	1	Canopy w/ Mirror Assy.	22	5125618	1	-	Upper Outside Track
1	5100379	2	2	Screw		5125620	-	1	Upper Outside Track
2	5991029	1	-	Ballast, 2-Lamp		5619204	19	27	Screw
	5991030	-	1	Ballast, 3-Lamp	23	5213253	1	1	Light Supply Harness
3	5100565	1	1	Toggle Switch	24	5199435	1	1	Light Harness Cover
4	9025223	1	-	Canopy Hood		5183536	8	8	Screw
	9025224	-	1	Canopy Hood	25	5200717	2	2	Mirror End Close-off
5	5100661	2	2	Nut		5200716	1	1	Joint Gasket
6	5101000	2	2	Lockwasher	26	5203813	2	3	Upright Weldment Assy.
7	5100973	2	2	Washer		1309067	8	12	Screw
8	5103997	2	2	Shakeproof Washer	27	5205439	8	11	Screw
9	9027302	1	1	Light Harness	28	5149760	1	-	Lower Stationary Track
10	5213024	1	1	Light Harness Plate		5149761	-	1	Lower Stationary Track
	5123781	2	2	Screw	29	5104702	3	4	Rivet
11	5105037	5	7	Rivet		9025994	3	4	Cover
12	5183536	8	8	Screw	30	5232279	4	6	Lampholder
13	5619204	5	8	Screw	31	5247206	2	3	Fluorescent Lamp, T-8
14	5213027	1	-	Rear Hood	32	5200726	1	2	Mirror
	5213028	-	1	Rear Hood	33	5125617	1	-	Upper Inside Track
15	5619204	3	5	Screw		5125619	-	1	Upper Inside Track
16	5100752	2	3	Bolt		5122940	5	7	Screw
17	5101006	2	3	Lockwasher		5053099	5	7	Nut, Elastic
18	5100979	2	3	Washer	34	9025990	1	-	Light Channel
19	5210919	1	1	Canopy Harness		9025991	-	1	Light Channel
20	5213250	1	1	Canopy Raceway Cover	35	9025481	1	1	Canopy Backer



STRUCTURAL COMPONENTS - (CONT'D)  
 PATCH ENDS, PARTITIONS AND DIVIDERS  
 Solid Patch End - NP

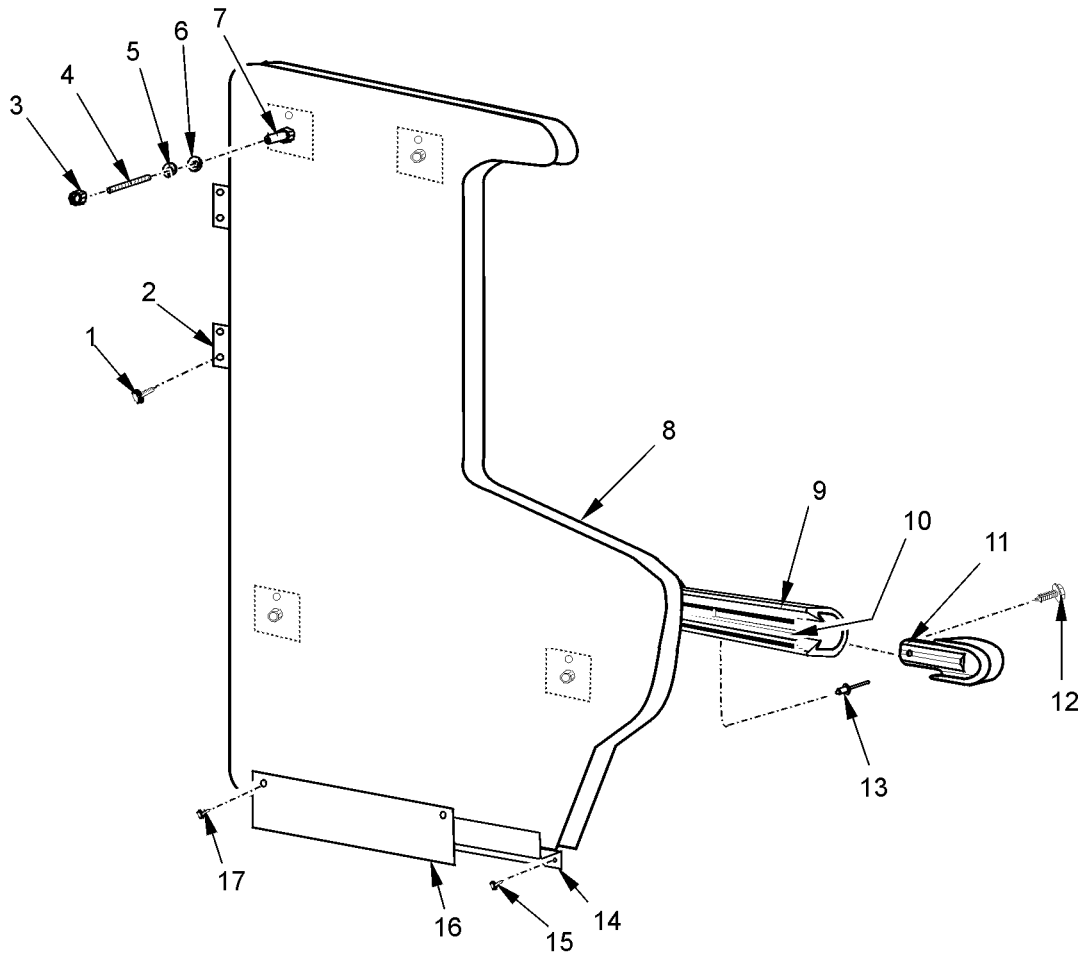


Item	Part No.	Qty.	Description	Item	Part No.	Qty.	Description
*	9021952	1	RH Solid End Assy., PTD w/PTD Liner - 31"		9029311	1	1" End Bumper, Pearly Gates - 33"
*	9021953	1	LH Solid End Assy., PTD w/PTD Liner - 31"		9040180	1	1" End Bumper, Steel Gray - 33"
*	9021954	1	RH Solid End Assy., PTD w/MB SS Liner - 31"		9023459	1	1" End Bumper, Pearly Gates - 39"
*	9021955	1	LH Solid End Assy., PTD w/MB SS Liner - 31"		9023460	1	1" End Bumper, Cool Gray - 39"
*	9021956	1	RH Solid End Assy., PTD w/BRT SS Liner - 31"		9023461	1	1" End Bumper, Black - 39"
*	9021957	1	LH Solid End Assy., PTD w/BRT SS Liner - 31"		9023462	1	1" End Bumper, Pearl - 39"
1	5100625	2	Nut, 5/16"-18		9310876	1	1" End Bumper, Steel Gray - 39"
2	9022759	2	Stud, 5/16"-18 x 3"	8	9026528	4	End Cap, Pearly Gates
3	5101003	2	Lockwasher		9027743	4	End Cap, Cool Gray
4	5100976	2	Washer		9027744	4	End Cap, Black
5	9022756	2	Threaded Insert		9027742	4	End Cap, Pearl
*	9023479	1	End Bmpr./Rtnr. Assy., Cool Gray		9310881	4	End Cap, Steel Gray
*	9023488	1	End Bmpr./Rtnr. Assy., Black	9	5183536	4	Screw
*	9023497	1	End Bmpr./Rtnr. Assy., Pearl	10	5104702	17	Rivet
*	9023471	1	End Bmpr./Rtnr. Assy., Pearly Gates	11	9024368	1	RH Bench Assy., PTD w/PTD Liner - 31"
*	9040179	1	End Bmpr./Rtnr. Assy., Steel Gray		9024369	1	LH Bench Assy., PTD w/PTD Liner - 31"
6	9027882	1	Mounting Retainer - 35"		9024370	1	RH Bench Assy., PTD w/MB SS Liner - 31"
	9023453	1	Mounting Retainer - 41"		9024371	1	LH Bench Assy., PTD w/MB SS Liner - 31"
7	9027973	1	1" End Bumper, Cool Gray - 33"		9024372	1	RH Bench Assy., PTD w/BRT SS Liner - 31"
	9027974	1	1" End Bumper, Black - 33"	12	9301372	1	End Protector Plate
	9027975	1	1" End Bumper, Pearl - 33"	13	1309067	3	Screw





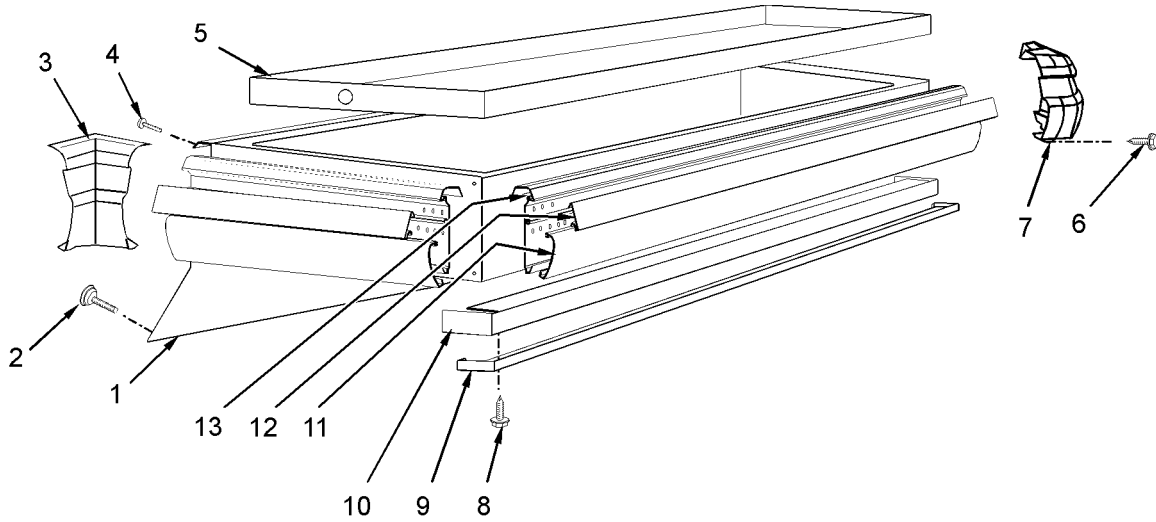
STRUCTURAL COMPONENTS - (CONT'D)  
 PATCH ENDS, PARTITIONS AND DIVIDERS  
 Solid Patch End, Superstructure - NP



Item	Part No.	Qty.	Description	Item	Part No.	Qty.	Description
1	5100625	4	Nut, 5/16"-18	8	9027882	1	Mounting Retainer - 35"
2	9022759	4	Stud, 5/16"-18 x 3"		9023453	1	Mounting Retainer - 41"
3	5101003	4	Lockwasher	9	9027743	4	End Cap, Cool Gray
4	5100976	4	Washer		9027744	4	End Cap, Black
5	9022756	4	Threaded Insert		9027742	4	End Cap, Pearl
6	<b>9021958</b>	1	<b>RH Contoured End Assy., Ptd.</b>		9026528	4	End Cap, Pearly Gates
			<b>w/Ptd. Liner - 31" (canopy)</b>		9310881	4	End Cap, Steel Gray
	<b>9021959</b>	1	<b>LH Contoured End Assy., Ptd.</b>	10	5183536	4	Screw
			<b>w/Ptd. Liner - 31" (canopy)</b>	11	5104702	21	Rivet
	<b>9024374</b>	1	<b>RH Bench Assy., Ptd.</b>	12	9301372	1	End Protector Plate
			<b>w/Ptd. Liner - 31" (canopy)</b>		5186737	A/R	Foam Gasket
	<b>9024375</b>	1	<b>LH Bench Assy., Ptd.</b>	13	1309067	3	Screw
			<b>w/Ptd. Liner - 31" (canopy)</b>	14	9022466	1	LH End Base Close-off, Ptd.
7	9027973	1	1" End Bmpr, Cool Gray - 33"		9022459	1	RH End Base Close-off, Ptd.
	9027974	1	1" End Bmpr, Black - 33"	15	5048626	2	Screw
	9027975	1	1" End Bmpr, Pearl - 33"	16	5183536	4	Screw
	9029311	1	1" End Bmpr, Pearly Gates - 33"	17	9030532	2	End Angle Support
	9023460	1	1" End Bmpr, Cool Gray - 39"				
	9023461	1	1" End Bmpr, Black - 39"				
	9023462	1	1" End Bmpr, Pearl - 39"				
	9023459	1	1" End Bmpr, Pearly Gates - 39"				
	9310876	1	1" End Bmpr, Steel Gray - 39"				



STRUCTURAL COMPONENTS - (CONT'D)  
 OPTIONAL PRODUCE EXTENDER - NP

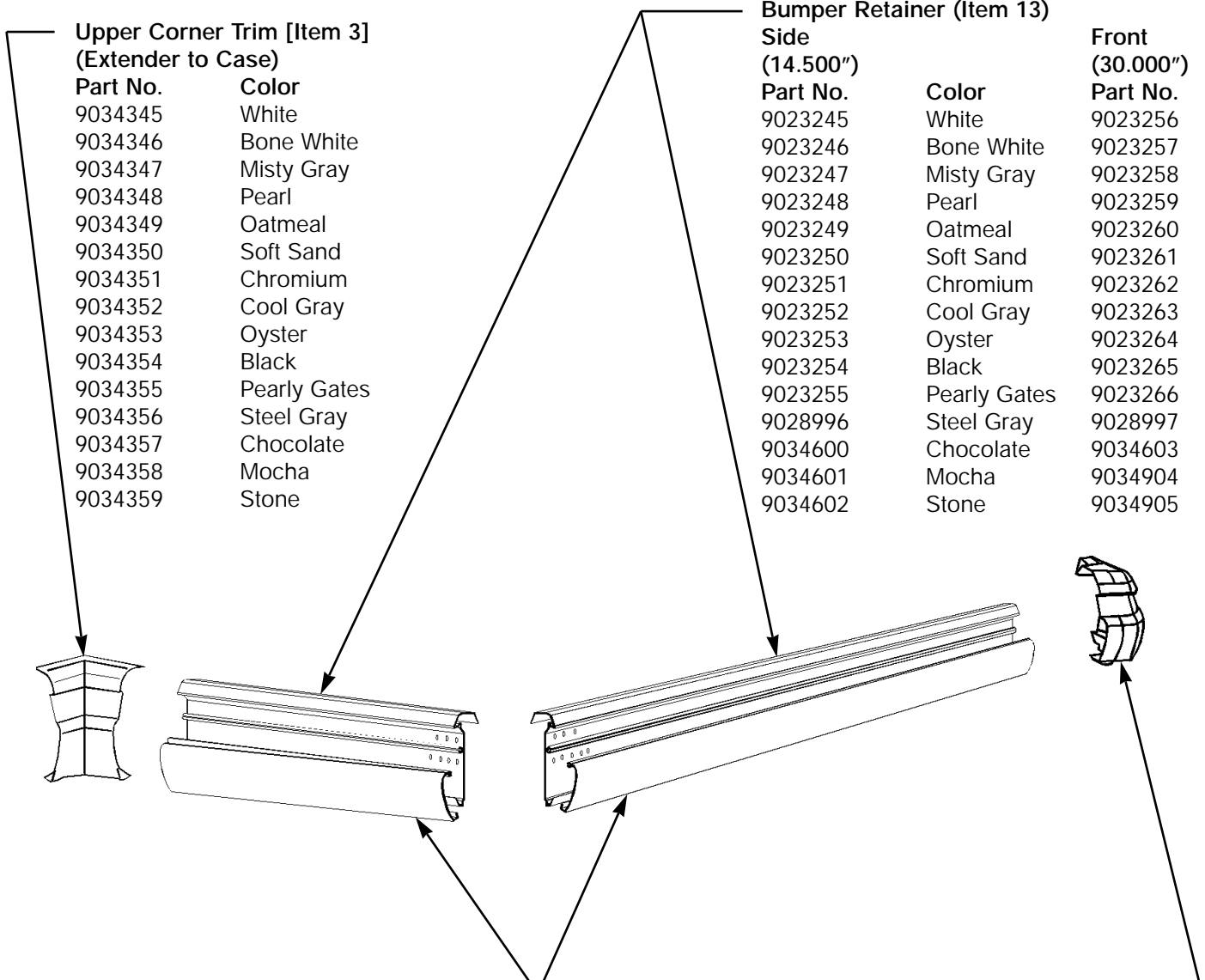


Item	Part No.	Qty.	Description
*	<b>9020504</b>	<b>1</b>	<b>Produce Extender</b>
1	9023220	1	Body Unit Assy.
2	5201267	2	Adjustable Rubber Bumper
3	+	2	Upper Corner Trim (Ext. to Case)
4	5145037	4	Screw
5	5201279	1	Inner Pan
6	9025833	20	Screw
7	+	2	Upper Corner Trim (Prod. Ext.)
8	5183536	3	Screw
9	9023208	1	Front Cladding, Ptd.
10	9023267	1	Front Cladding Support
11	+	1	Front Bumper
	+	2	Side Bumper
12	9023802	1	Front Color Band, Ptd.
	9023803	2	Side Color Band, Ptd.
13	+	1	Front Bumper Retainer
	+	2	Side Bumper Retainer

+ See next page for parts breakdown per color.



**STRUCTURAL COMPONENTS - (CONT'D)**  
**OPTIONAL PRODUCE EXTENDER - NP**



**Upper Corner Trim [Item 3]**  
**(Extender to Case)**

Part No.	Color
9034345	White
9034346	Bone White
9034347	Misty Gray
9034348	Pearl
9034349	Oatmeal
9034350	Soft Sand
9034351	Chromium
9034352	Cool Gray
9034353	Oyster
9034354	Black
9034355	Pearly Gates
9034356	Steel Gray
9034357	Chocolate
9034358	Mocha
9034359	Stone

**Bumper Retainer (Item 13)**  
**Side**  
**(14.500")**

Part No.	Color
9023245	White
9023246	Bone White
9023247	Misty Gray
9023248	Pearl
9023249	Oatmeal
9023250	Soft Sand
9023251	Chromium
9023252	Cool Gray
9023253	Oyster
9023254	Black
9023255	Pearly Gates
9028996	Steel Gray
9034600	Chocolate
9034601	Mocha
9034602	Stone

**Front**  
**(30.000")**

Part No.
9023256
9023257
9023258
9023259
9023260
9023261
9023262
9023263
9023264
9023265
9023266
9028997
9034603
9034904
9034905

**Bumper [Item 11]**

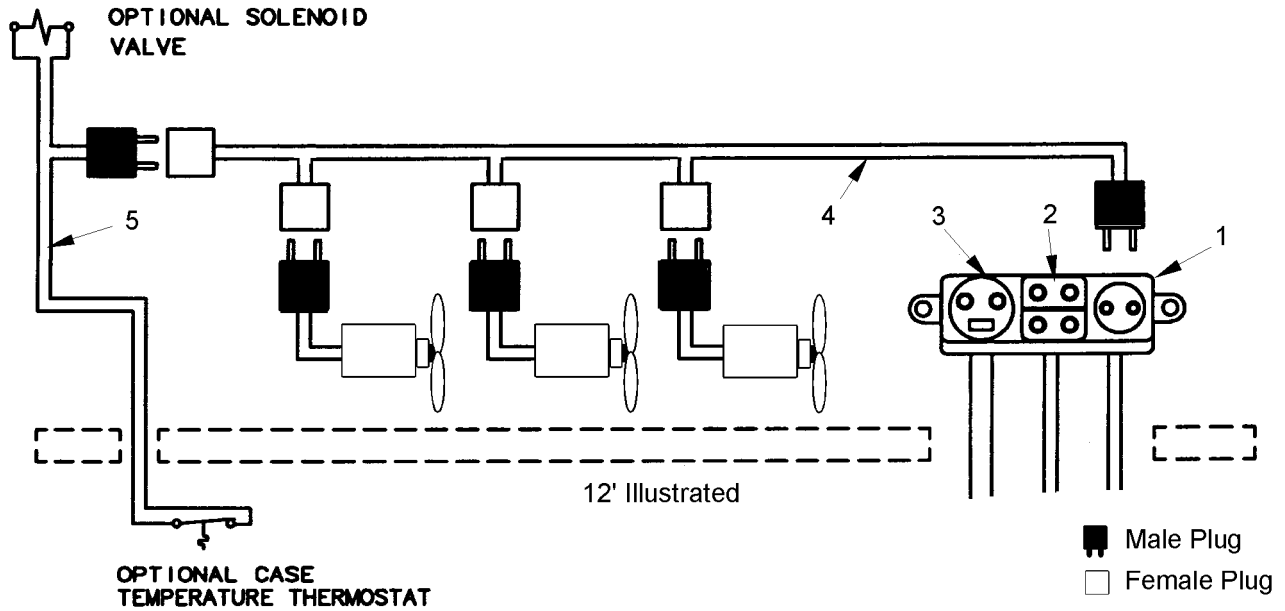
<b>Side</b> <b>(14.500"):</b>		<b>Front</b> <b>(30.000"):</b>	
Part No.	Color	Part No.	Color
9023223	White	9023234	White
9023224	Bone White	9023235	Bone White
9023225	Misty Gray	9023236	Misty Gray
9023226	Pearl	9023237	Pearl
9023227	Oatmeal	9023238	Oatmeal
9023228	Soft Sand	9023239	Soft Sand
9023229	Chromium	9023240	Chromium
9023230	Cool Gray	9023241	Cool Gray
9023231	Oyster	9023242	Oyster
9023232	Black	9023243	Black
9023233	Pearly Gates	9023244	Pearly Gates
9028999	Steel Gray	9028998	Steel Gray
9034505	Chocolate	9034508	Chocolate
9034506	Mocha	9034509	Mocha
9034507	Stone	9034510	Stone

**Upper Corner Trim [Item 7]**  
**(Produce Extender)**

Part No.	Color
9025465	White
9026186	Bone White
9026187	Misty Gray
9026188	Pearl
9026189	Oatmeal
9026190	Soft Sand
9026191	Chromium
9026192	Cool Gray
9026193	Oyster
9026194	Black
9026445	Pearly Gates
9028881	Steel Gray
9031888	Chocolate
9031889	Mocha
9031890	Stone



**ELECTRICAL SYSTEM COMPONENTS**  
**WIRING HARNESSSES - NP**  
 Wiring and Components

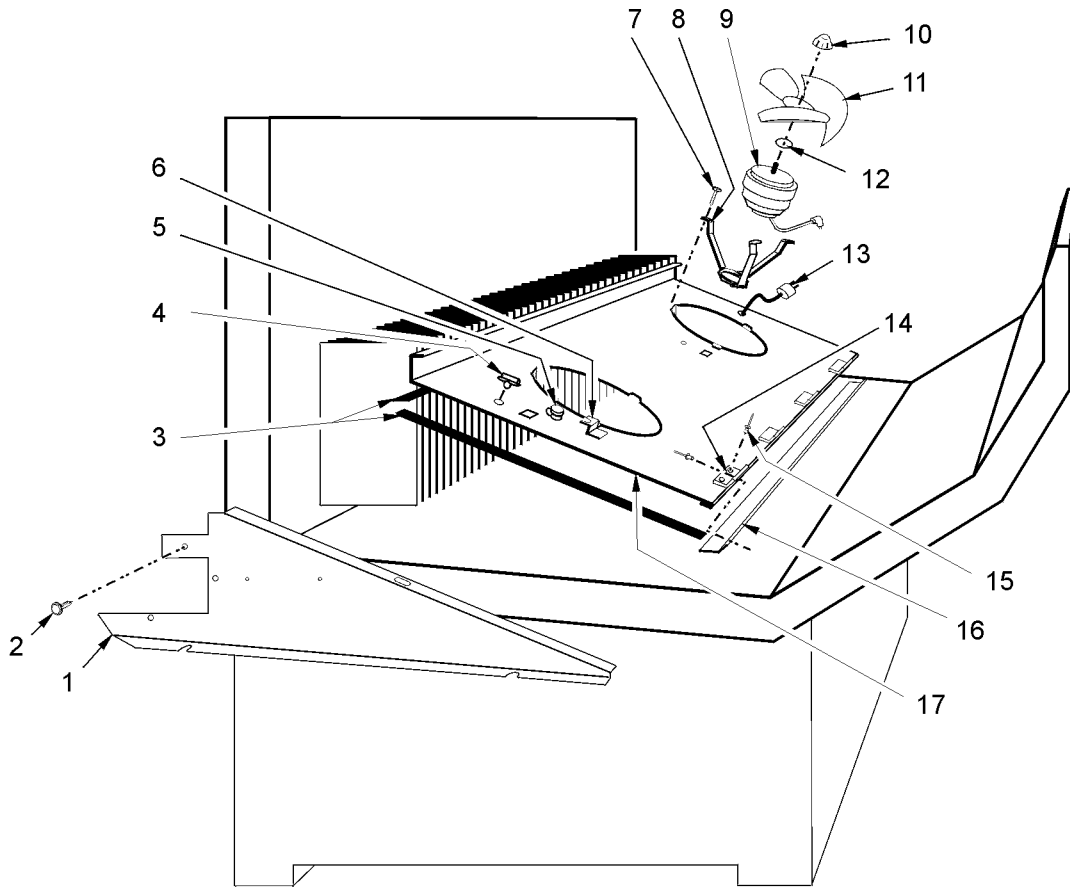


**8' and 12' Merchandiser**

Item	Part No.	Quantity		Description
		8'	12'	
1	5199320	1	1	Supply Harness, 115V
2	5202500	1	1	Dummy Plug
3	5149769	2	2	Dummy Plug (NOTE: Quantity of 1 without opt. solenoid harness)
4	5211558	1	-	Fan Harness, 106"
	5211559	-	1	Fan Harness, 156"
5	5210359	1	1	Opt. Solenoid Harness
	5193888	1	1	Opt. Thermostat
	5191445	1	1	Opt Solenoid Valve, 5/8"
	5191446	1	1	Opt. Solenoid Valve, 7/8"
	5200225	1	1	Opt. Solenoid Valve, 1/2"



ELECTRICAL SYSTEM COMPONENTS - (CONT'D)  
 FAN SYSTEMS - NP

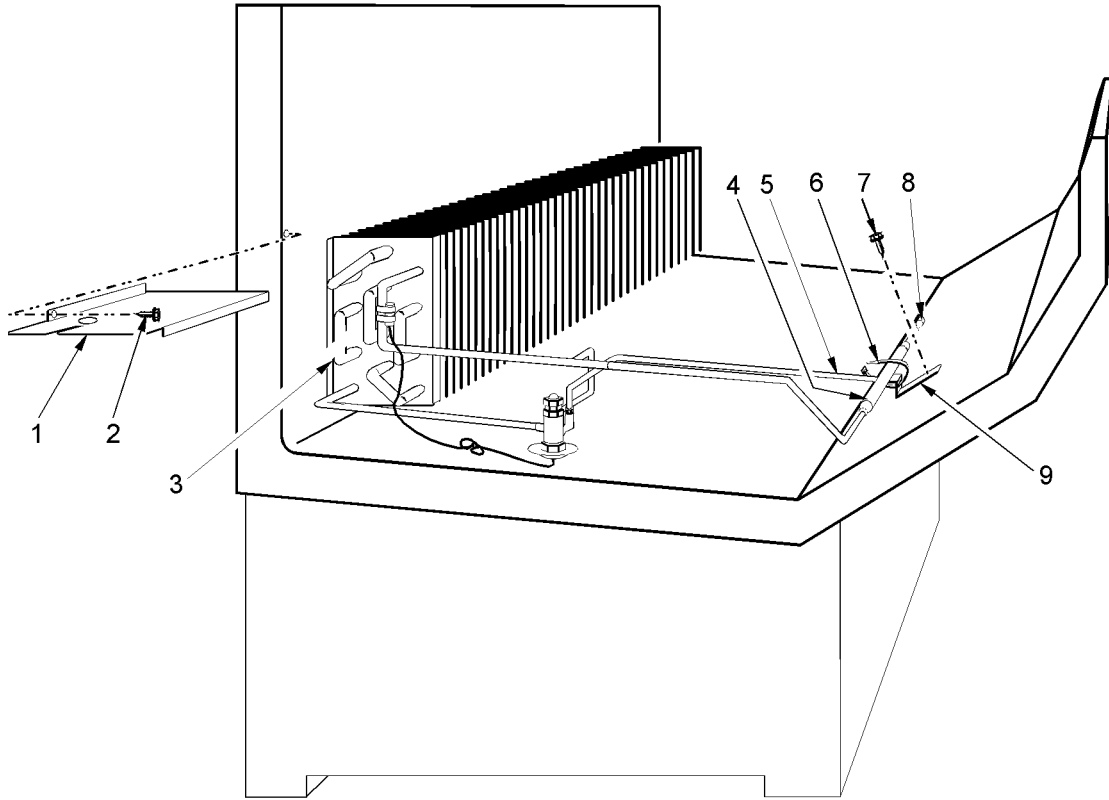


8' and 12' Merchandiser

Item	Part No.	Quantity		Description	Item	Part No.	Quantity		Description
		8'	12'				8'	12'	
1	9028548	1	1	LH Fan Panel Close-off	9	5125532	2	3	Fan Motor, 5W
	9028549	1	1	RH Fan Panel Close-off		9025001	2	3	Opt. ECM Motor, 5W
2	5183536	6	6	Screw	10	----	2	3	Nut (furn w/ motor)
3	5107190	A/R	A/R	Ethofoam Gasket	11	5223891	2	3	Fan Blade, 7"
4	5185321	2	2	Fastener, Q4	12	----	2	3	Washer (furn. w/ motor)
5	5123674	3	4	Strain Relief	13	5211558	1	-	Harness, 106"
6	5206177	2	3	Fan Harness Clip		5211559	-	1	Harness, 156"
	5183536	2	3	Screw	14	5186058	4	5	Hinge
7	5183536	6	9	Screw	15	5104702	16	20	Rivet
*	<b>5223839</b>	<b>2</b>	<b>3</b>	<b>Fan &amp; Motor Assy.</b>	16	5198849	1	-	Fan Panel Hinge Retainer
*	<b>9025013</b>	<b>2</b>	<b>3</b>	<b>Opt ECM Fan &amp; Motor Assy.</b>		5198850	-	1	Fan Panel Hinge Retainer
8	5962269	6	9	Fan Bracket		5214669	A/R	A/R	Silaprene Adhesive
	9041077	2	3	Fan Bracket MTG PL (Optional)	17	5223521	1	-	Fan Panel
	9025005	6	9	Opt ECM Fan Bracket		5223522	-	1	Fan Panel



REFRIGERATION SYSTEM COMPONENTS  
COIL ASSEMBLIES - NP

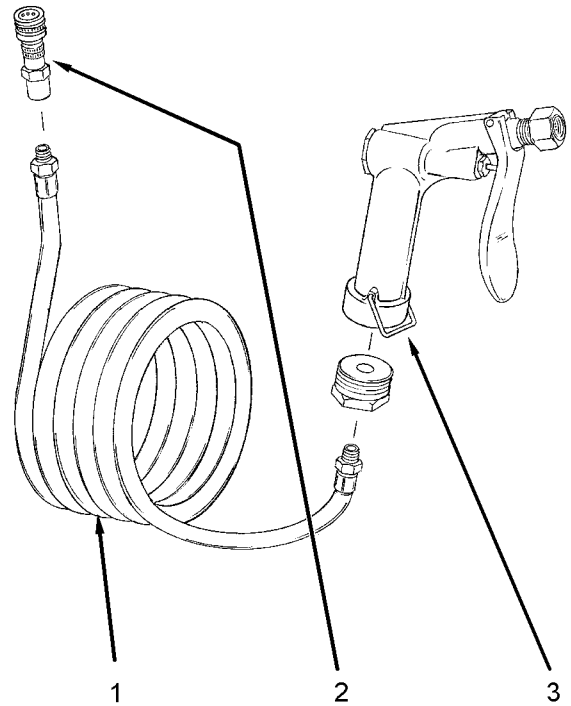
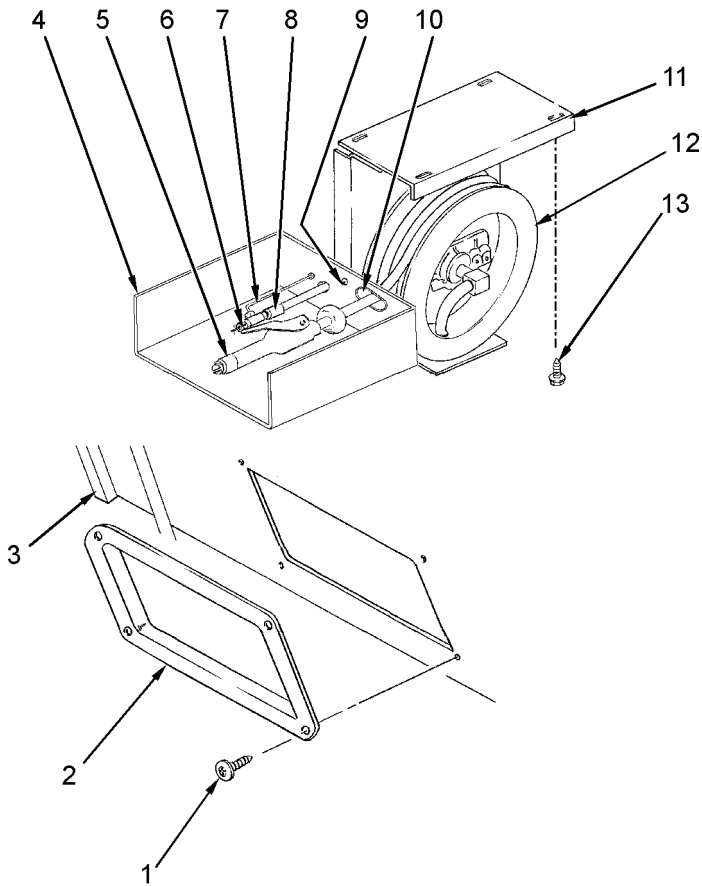


8' and 12' Merchandiser

Item	Part No.	Quantity		Description
		8'	12'	
1	5198726	1	1	LH Coil Close-off
	5198725	1	1	RH Coil Close-off
2	5183536	4	4	Screw
3	5198730	1	-	Coil Fitting Assy.
	5198731	-	1	Coil Fitting Assy.
4	5224701	1	1	Opt. Heat Exchanger Assy.
5	9035179	1	1	Liquid Line
6	5180826	1	1	Cable Tie
7	5183536	2	2	Screw
8	5198296	1	1	Cap
9	5199097	1	1	Heat Exchanger Support



# OPTIONAL CASE ACCESSORIES WATER STATION COMPONENTS - NP

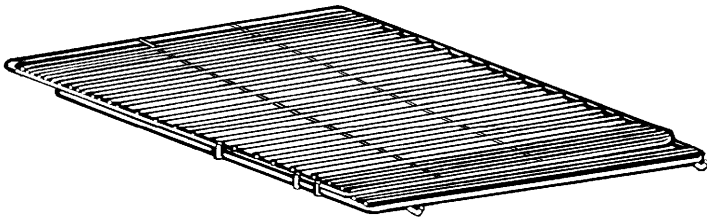


Item	Part No.	Quantity		Description
		8'	12'	
*	<b>9020500</b>	1	-	<b>Water Station Assy.</b>
*	<b>9020501</b>	-	1	<b>Water Station Assy.</b>
1	5119813	4	4	Screw
2	5631573	1	1	Ferrule Insert
3	9030270	1	-	Lwr. Front Cladding w/Cutout
	9030271	-	1	Lwr. Front Cladding w/Cutout
*	<b>5213244</b>	1	1	<b>Hose Reel Water Station</b>
4	5213245	1	1	Control Housing
5	5145598	1	1	Water Nozzle
	5146233	1	1	Reducer Bushing
6	5964423	1	1	Needle Valve
7	5964427	1	1	Water Line
8	5964426	1	1	1/8" Coupling
	5964424	1	1	1/8" Pipe Nipple
9	5111242	2	2	Screw
	5103997	2	2	Washer
	5100650	2	2	Nut
10	5213201	1	1	Grommet
11	<b>5213238</b>	1	1	<b>Mounting Bracket Assy.</b>
12	<b>5080312</b>	1	1	<b>Hose Reel Assy. w/18' Hose</b>
13	5183536	4	4	Screw

Item	Part No.	Qty.	Description
*	<b>5052302</b>	1	<b>12' Spray Hose Assy.</b>
*	<b>5953159</b>	1	<b>18' Spray Hose Assy.</b>
*	<b>5208314</b>	1	<b>24' Spray Hose Assy.</b>
*	<b>5996515</b>	1	<b>30' Spray Hose Assy.</b>
1	5195920	1	12' Hose
	5953158	1	18' Hose
	5208315	1	24' Hose
	5996514	1	30' Hose
2	5195921	1	Female Socket
3	5925354	1	Spray Nozzle

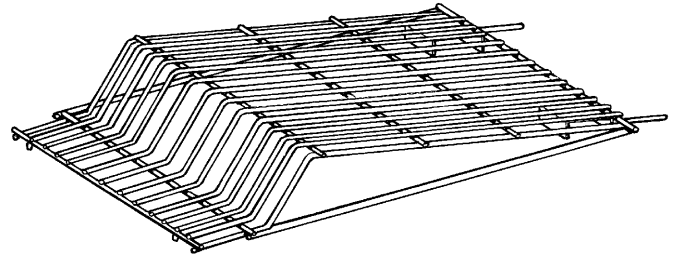


## OPTIONAL CASE ACCESSORIES - (CONT'D) SCREENS



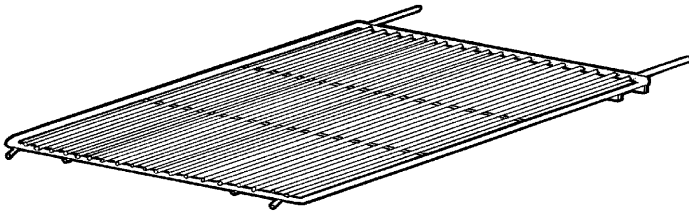
### Adjustable Telescoping Screen

Item	Part No.	Quantity		Description
		8'	12'	
-	5637453	4	6	Telescoping Screen, GPC
-	5946888	4	6	Telescoping Screen, WPC
-	5999842	4	6	Telescoping Screen, BPC



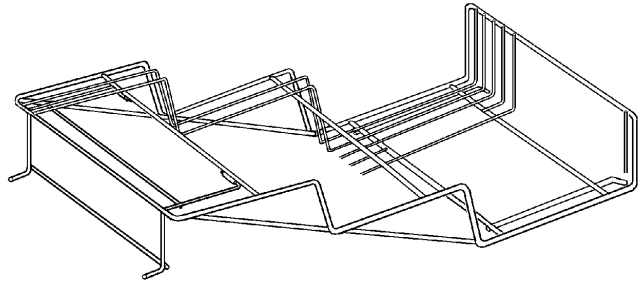
### Optional Hump Screen

Item	Part No.	Qty.	Description
-	5198974	1	7" Hump Screen, WPC
-	5997844	1	7" Hump Screen, BPC
-	5941106	1	10" Hump Screen, WPC
-	5950039	1	10" Hump Screen, WPC
-	5637585	1	10" Hump Screen, GPC
-	9035391	1	10" Hump Screen, BPC
-	5603967	1	18" Hump Screen, WPC
-	9601238	1	22" Hump Screen, GPC



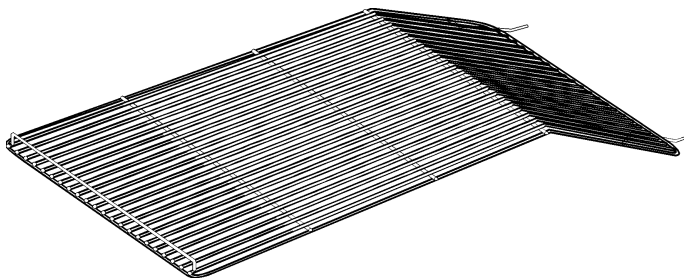
### Adjustable Flat Screen

Item	Part No.	Quantity		Description
		8'	12'	
-	5996644	4	6	Adjustable Flat Screen, GPC
-	5999843	4	6	Adjustable Flat Screen, BPC



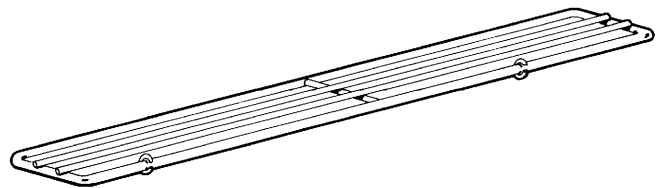
### Optional Step Screen

Item	Part No.	Qty.	Description
-	5958662	1	3-Step Hump Screen w/ 10" Fence, GPC
-	5986272	1	3-Step Hump Screen w/ 5" Fence, GPC
-	5603881	1	3-Step Screen w/ 4" Lip, GPC
-	9030918	1	3-Step Screen w/ 4" Lip, BPC
-	5981101	1	4-Step Screen w/ 4" Lip, GPC



### Optional Angled Screen

Item	Part No.	Qty.	Description
-	5233965	1	Angled Screen, GPC (18" angle w/ 4 3/8" lip))



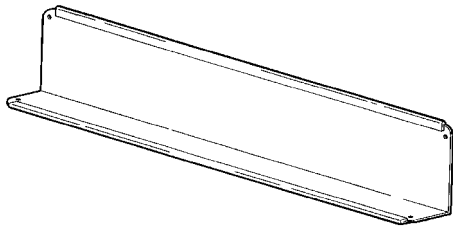
### Optional 2 1/2" Screen Extension

Item	Part No.	Qty.	Description
-	5103675	1	2 1/2" Screen Extension, WPC
-	5997845	1	2 1/2" Screen Extension, BPC
-	5959985	1	2 1/2" Screen Extension, GPC



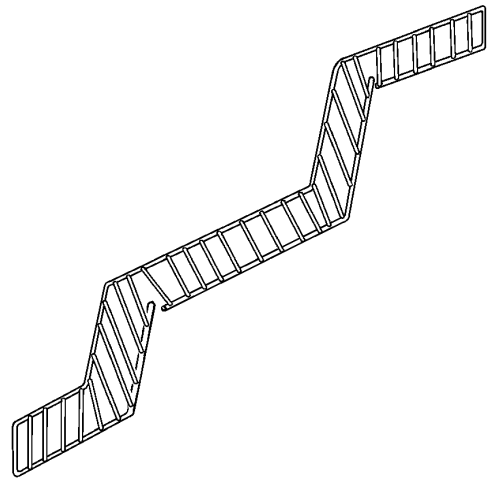


# OPTIONAL CASE ACCESSORIES - (CONT'D) DIVIDERS



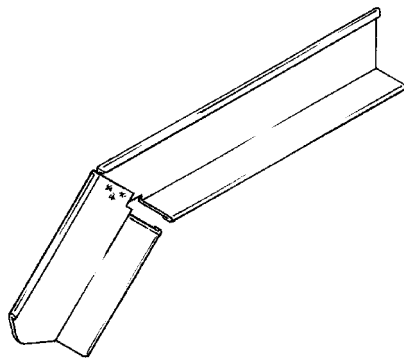
### Optional "L" Divider

Item	Part No.	Qty.	Description
-	5959491	1	"L" Divider, WHT (17"D x 4"H)
-	5208279	1	"L" Divider, GRN (32 1/4"D x 6"H)
-	5950615	1	"L" Divider, GRN (14"D x 4"H)
-	5950616	1	"L" Divider, GRN(17"D x 4"H)
-	5962836	1	"L" Divider, GRN (23 9/16"D x 5"H)
-	5932584	1	"L" Divider, BLK(32 1/4"D x 5"H)



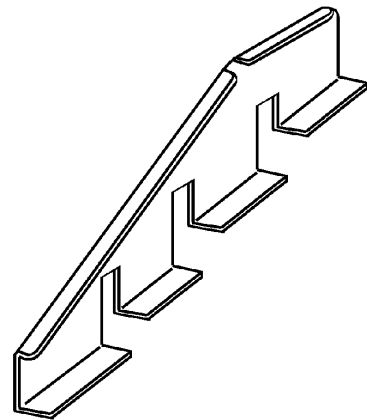
### Optional 3-Step Wire Divider

Item	Part No.	Qty.	Description
-	5603882	1	3-Step Wire Divider, GPC
-	9030919	1	3-Step Wire Divider, BPC



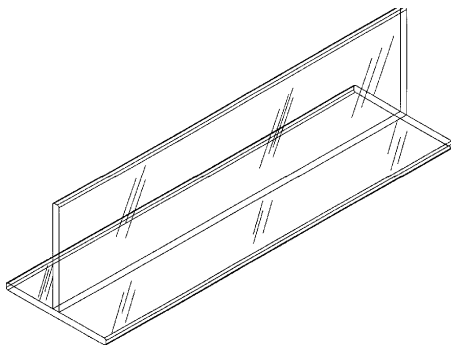
### Optional Hump Screen Divider

Item	Part No.	Qty.	Description
-	5205181	1	7" Hump Screen Divider, GRN
-	5205182	1	10" Hump Screen Divider, GRN
-	5603938	1	18" Hump Screen Divider, GRN
-	5033055	1	18" Hump Screen Divider, BLK



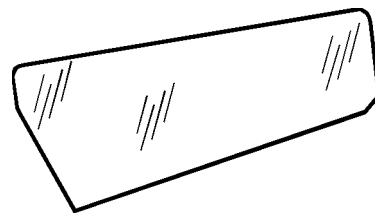
### Optional Step Solid Divider

Item	Part No.	Qty.	Description
-	5608243	1	3-Step Solid Divider, GRN
-	5990744	1	3-Step Solid Divider, GRN
-	5997224	1	3-Step Solid Divider, GRN
-	5981104	1	4-Step Solid Divider, GRN



### Optional Acrylic "T" Divider

Item	Part No.	Qty.	Description
-	9035390	1	"T" Divider, CLR (14" x 4" x 4")

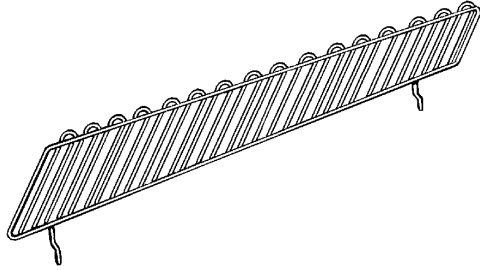


### Optional Plexiglas Divider

Item	Part No.	Qty.	Description
-	5199199	1	Plexiglas Divider
-	5149609	2	FR & RR Support
-	5205439	4	Screw

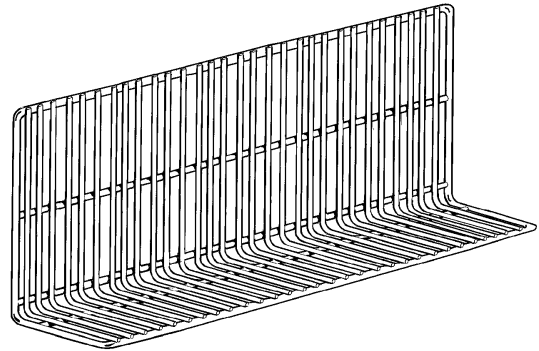


## OPTIONAL CASE ACCESSORIES - (CONT'D) FENCES AND TRAYS



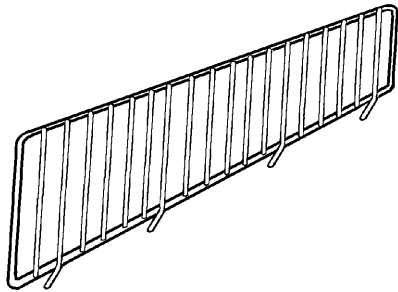
### Optional Wire Front Fence

Item	Part No.	Qty.	Description
-	5199455	1	Wire Front Fence, SPC (48" x 6")
-	5993669	1	Wire Front Fence, GPC (48" x 6")



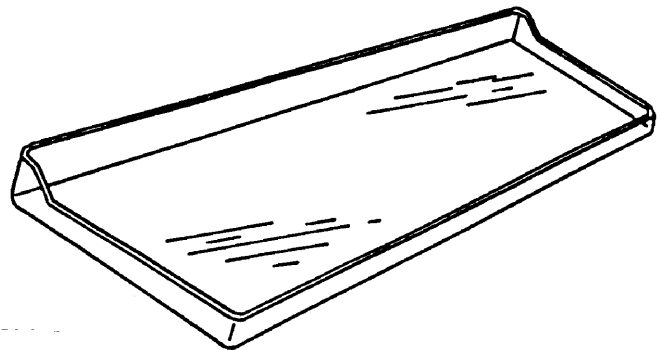
### Optional Wire Product Stop

Item	Part No.	Qty.	Description
-	5996268	1	Wire Product Stop, GPC (48" x 6" x 8")



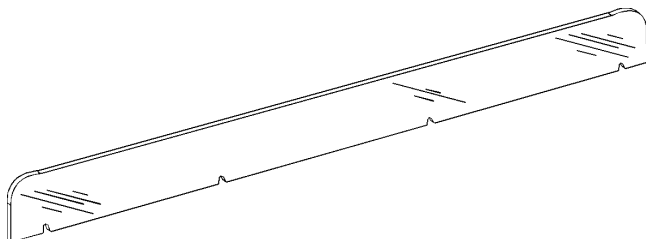
### Optional Wire Fence

Item	Part No.	Qty.	Description
-	5212970	1	Wire Fence, WPC (48" x 3")
-	5997832	1	Wire Fence, FBPC (48" x 3")
-	5199454	1	Wire Fence, SPC (48" x 3")
-	5900473	1	Wire Fence, WPC (48" x 6")
-	5630386	1	Wire Fence, SPC (48" x 6")
-	5235216	1	Wire Fence, WPC (48" x 9")
-	5235215	1	Wire Fence, GPC (48" x 9")
-	9601453	1	Wire Fence, BPC (48" x 9")
-	5996873	1	Wire Fence, GPC (48" x 11")
-	5999466	1	Wire Fence, BPC (48" x 11")



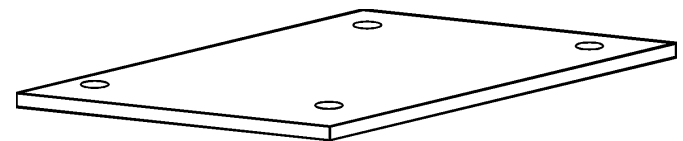
### Optional Shelf Tray

Item	Part No.	Qty.	Description
-	5605365	1	15" Closed End Tray, PETG
-	5605366	1	18" Closed End Tray, PETG



### Optional Plexiglas Fence

Item	Part No.	Qty.	Description
-	5964451	1	2" Plexiglas Fence, CLR
-	9035172	1	2" Plexiglas Fence, Smoke
-	5940289	1	3" Plexiglas Fence, CLR

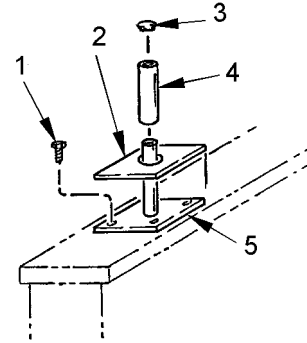
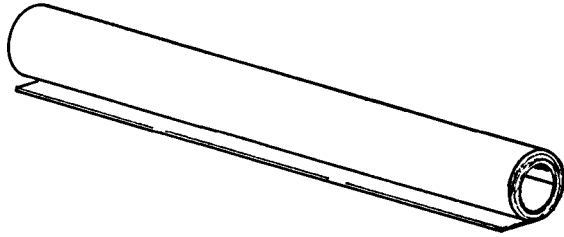


### Optional Bottom Tray, Ice Tray & Ice Pan

Item	Part No.	Quantity		Description
		8'	12'	
-	5198918	4	6	STD Bottom Tray
-	5801869	4	6	Bottom Tray, BRT SS
-	5959852	4	6	Ice Tray, BRT SS
-	5989772	4	6	Ice Tray, MB SS
-	5981074	4	6	Ice Pan, BRT SS



OPTIONAL CASE ACCESSORIES - (CONT'D)  
 NIGHT COVERS, HANGER SUPPORT AND SERVICE BELL

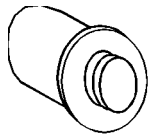


**Optional Burlap Night Cover**

Item	Part No.	Quantity		Description
		8'	12'	
-	5626958	1	-	Burlap Night Cover, GRN
-	5626959	-	1	Burlap Night Cover, GRN

**Optional Wire Hanger Support**

Item	Part No.	Qty.	Description
*	5945419	1	Wire Hanger Support Assy.
1	5145037	8	Screw
2	5945421	1	Stainless Cover
3	5105873	1	Plug Button
4	5945423	1	Hanger Support
5	5945422	1	Wire Pole Securing Assy.

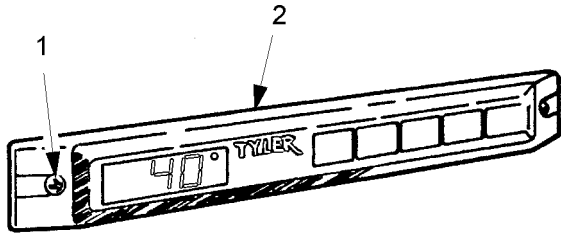


**Optional Service Bell**

Item	Part No.	Qty.	Description
*	9022455	1	Bell for Service Assy.
-	5990680	1	Push Button
-	5605312	1	Label, Ring for Service
-	9023204	1	Bell Mtg. & Wiring Assy.
-	5104702	4	Rivet

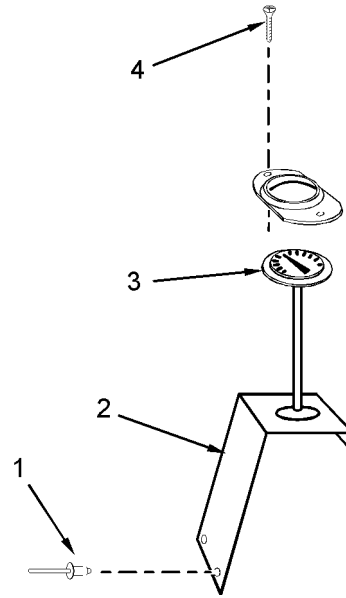


OPTIONAL CASE ACCESSORIES - (CONT'D)  
THERMOMETERS



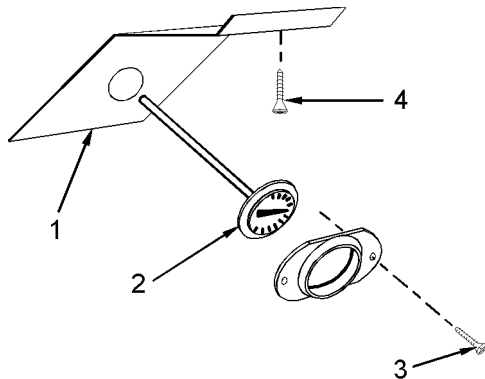
**Digital Solar Thermometer**

Item	Part No.	Qty.	Description
*	5991560	1	Digital Thermometer Assy., °F
*	5230914	1	Digital Thermometer Assy., °C
1	5230884	2	Screw
2	5239500	1	Digital Thermometer, °F
	5239501	1	Digital Thermometer, °C



**1" Dial Thermometer, Return Air**

Item	Part No.	Qty.	Description
*	5204461	1	Thermometer Assy., Discharge Air
1	5105702	2	Rivet
2	5204468	1	Thermometer Support
3	5203829	1	1" Dial Thermometer
	----	1	Mounting Ring (furnished with thermometer)
4	5219883	2	Screw

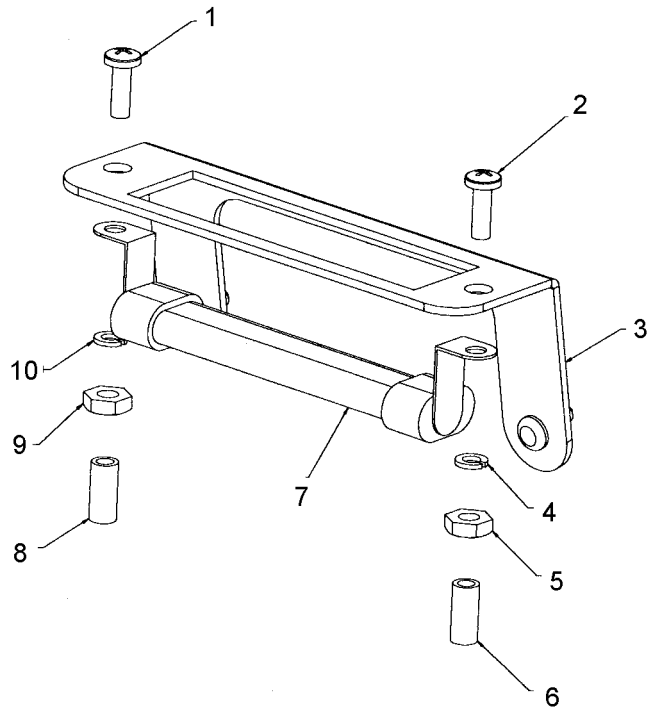


**1" Dial Thermometer, Discharge Air**

Item	Part No.	Qty.	Description
*	5627046	1	Thermometer Assy., Discharge Air
1	5204469	1	Thermometer Support
2	5203829	1	1" Dial Thermometer
	----	1	Mounting Ring (furnished with thermometer)
3	5219883	2	Screw
4	5048626	2	Screw



OPTIONAL CASE ACCESSORIES  
STANDARD THERMOMETER

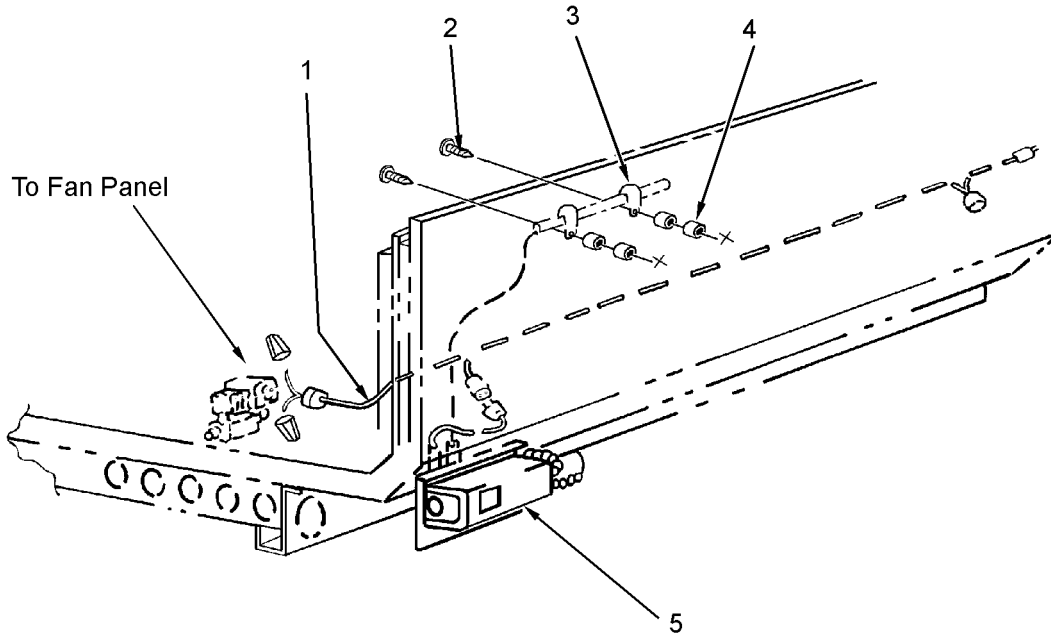


**Standard Thermometer**

Item	Part No.	Qty.	Description
*	9044991	1	Thermometer Assy.
1	5111197	1	Screw
2	5111197	1	Screw
3	9044990	1	Thermometer MTG Bracket
4	9603915	2	Lock Washer
5	5111198	1	Nut
6	9043078	1	Blue VNYL Cap
7	5967100	1	Pencil Thermometer
8	9043078	1	Blue VNYL Cap
9	5111198	1	Nut
10	9603915	1	Lock Washer



# OPTIONAL CASE ACCESSORIES - (CONT'D) THERMOSTATS Optional Thermostat Wired to Solenoid



---

Item	Part No.	Qty.	Description
*	5216236	1	Thermostat Assy., Wired to Solenoid
1	5210359	1	Solenoid Harness
2	5053985	2	Screw
3	5106713	2	Tubing Clip
4	5127438	4	Spacer
5	5200442	1	Mounting Bracket
	5120943	7	Screw
	5218080	1	Thermostat Assy., Wired