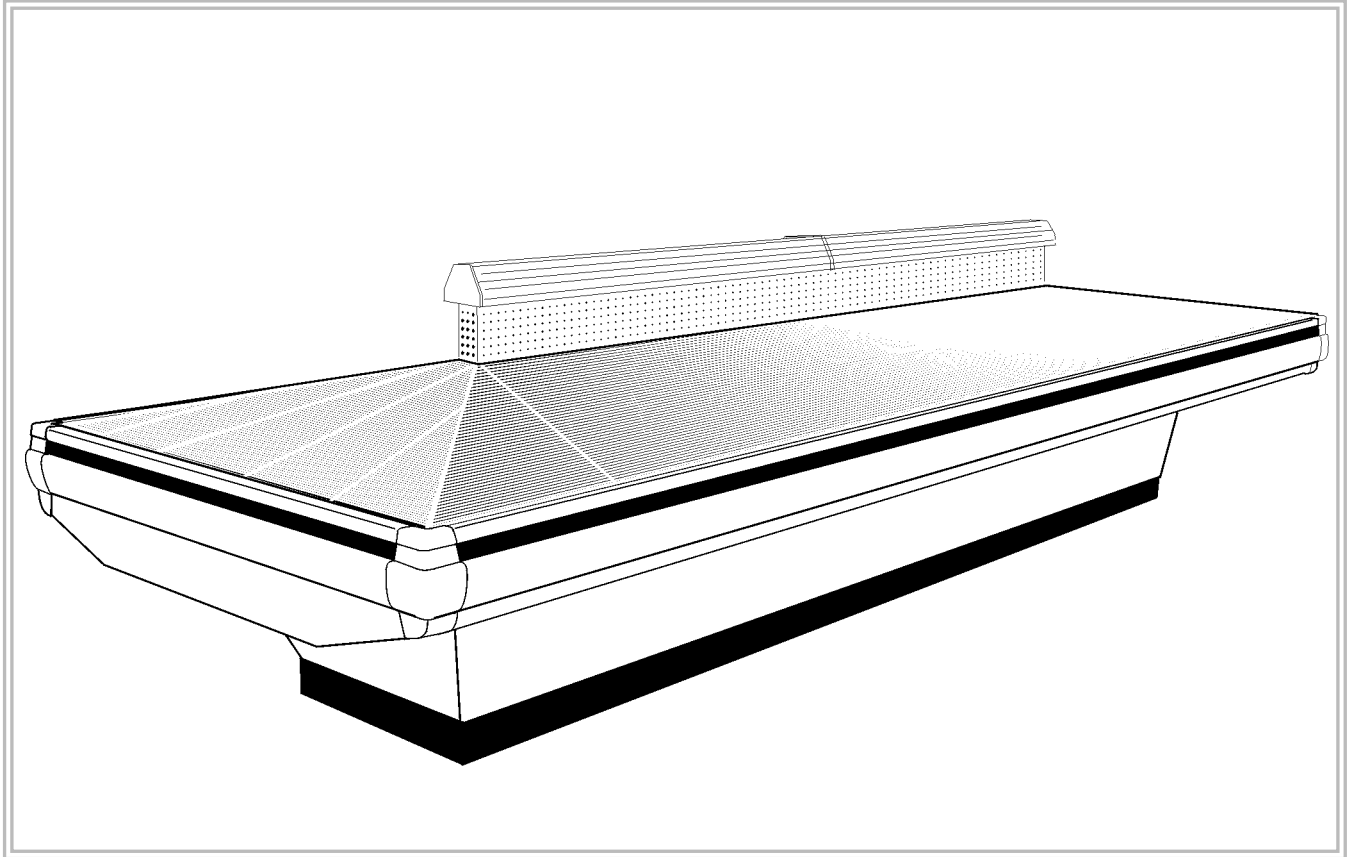


Replacement Parts ^{series} Advantage



Wide Island Produce Merchandiser

Production began SEPTEMBER 29, 2000.

9000262	NPDE	Med-Temp	Island Produce Dry End Merchandiser
9000263	NPWDEE12	Non-Ref	12' Island Produce Dry Merchandiser with Two Ends
9000264	NPWDE8	Non-Ref	8' Island Produce Dry Merchandiser with One End
9000265	NPWDE12	Non-Ref	12' Island Produce Dry Merchandiser with One End
9000266	NPWD8	Non-Ref	8' Island Produce Dry Merchandiser
9000267	NPWD12	Non-Ref	12' Island Produce Dry Merchandiser
9000268	NPE	Med-Temp	Island Produce End Merchandiser
9000269	NPWEE12	Med-Temp	12' Island Produce Merchandiser w/ Two Ends
9000270	NPWE8	Med-Temp	8' Island Produce Merchandiser w/ One End
9000271	NPWE12	Med-Temp	12' Island Produce Merchandiser w/ One End
9000272	NPW8	Med-Temp	8' Island Produce Merchandiser
9000273	NPW12	Med-Temp	12' Island Produce Merchandiser

NPW(D) • NPW(D)E
NPW(D)EE • NP(D)E



Issue date: SEPTEMBER 2000

Replaces issue:

Part number: 9037186

Revision:

Tyler Refrigeration Corporation Niles, MI 49120
Parts information subject to change without notice
Printed in U.S.A.

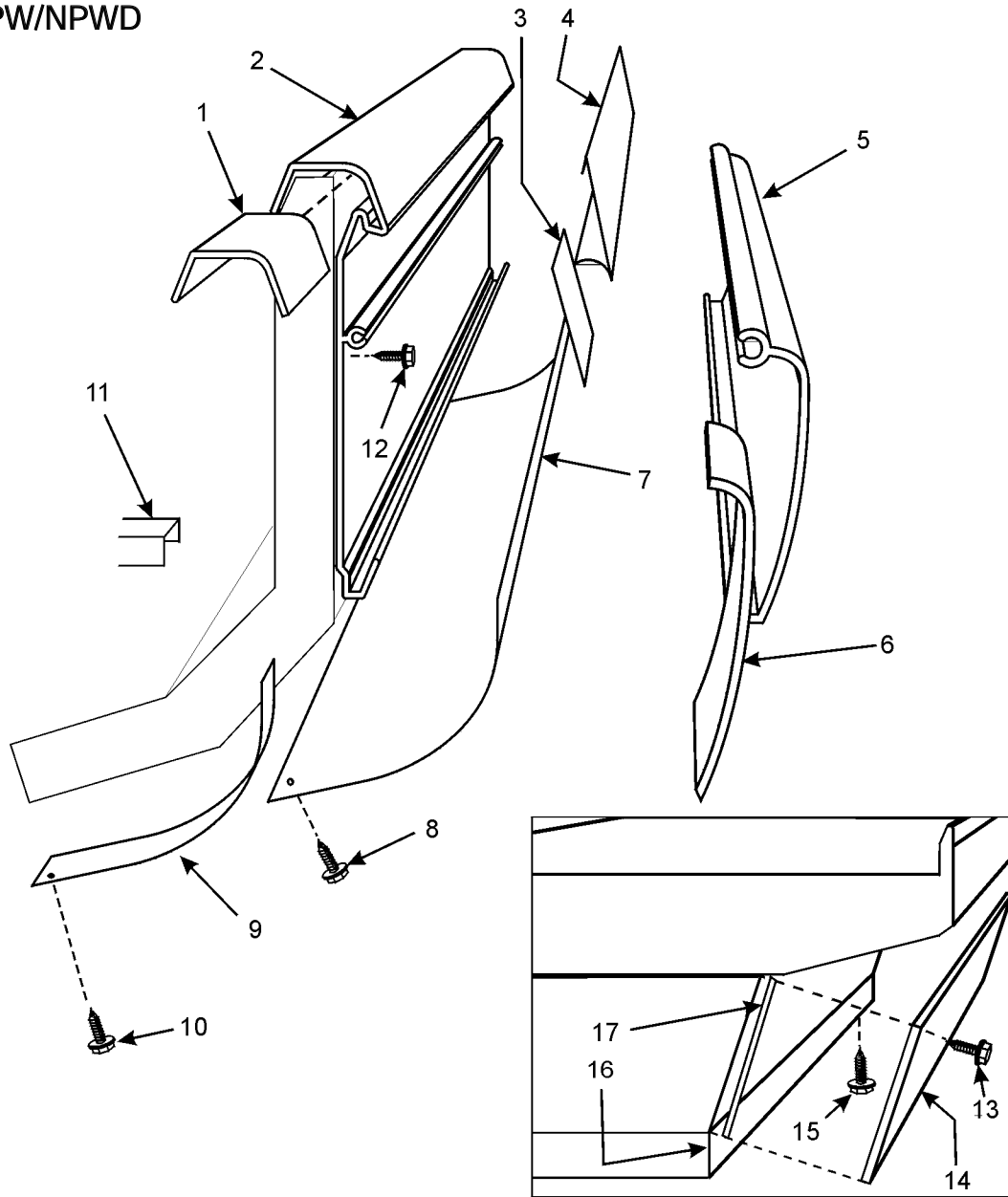


CONTENTS

	<u>Page</u>
Cladding, Covers and Trims	C1-C10
Structural Components	
Base and Lower Cladding	S1-S4
Ducts and Z-Bars	S5-S8
Discharge Ducts and Trays	S9-S12
Optional Patch Ends and Wrap End	
Solid Patch Ends	S13
Wrap End	S14, S15
Electrical System Components	
Wiring Harnesses	
Wiring and Components	E1, E2
Fan Systems	E3, E4
Refrigeration System Components	
Coil Assemblies	R1, R2
Optional Case Accessories	
Optional Add-On Front Glass	A1
Screens, Fences, Dividers, Trays and Covers	A2-A5
Water Station Components	A6
Bag and Miscellaneous Holders	A7
Thermometers	A8



CLADDING, COVERS AND TRIMS
NPW/NPWD



8' and 12' Merchandiser

Item	Part No.	Quantity		Description	Item	Part No.	Quantity		Description
		8'	12'				8'	12'	
1	9025316	2	2	Bumper Retainer Backer	10	5048626	4	4	Screw
2	+	2	2	Bumper Retainer/Hand Rail	11	5215379	1	1	Body Joint Cover
3	9040223	2	2	Color Band Backer, Ptd.	12	9025833	17	25	Screw (per side)
4	9023798	2	-	Color Band, Ptd.	13	5053985	8	12	Screw (2 per side panel)
	9023800	-	2	Color Band, Ptd.	14	5215415	4	6	Base Side Panel, Ptd.
5	+	2	2	Bumper	15	5183536	14	20	Screw
6	+	2	2	Bumper Backer	16	5215406	2	-	Base Panel, Ptd.
7	9025236	2	-	Front Cladding, Ptd.		5215407	-	2	Base Panel, Ptd.
	9025237	-	2	Front Cladding, Ptd.	17	5219179	2	2	LWR Base Panel Joint Trim
8	5048626	8	12	Screw		5048626	4	4	Screw
9	9028736	2	2	UPR Cladding Joint Trim					

+ See pages C2 and C3 for parts breakdown per color.



CLADDING, COVERS AND TRIMS - (CONT'D)

NPW/NPWD - 8'

Bumper Retainer [Item 2]

Without Partition

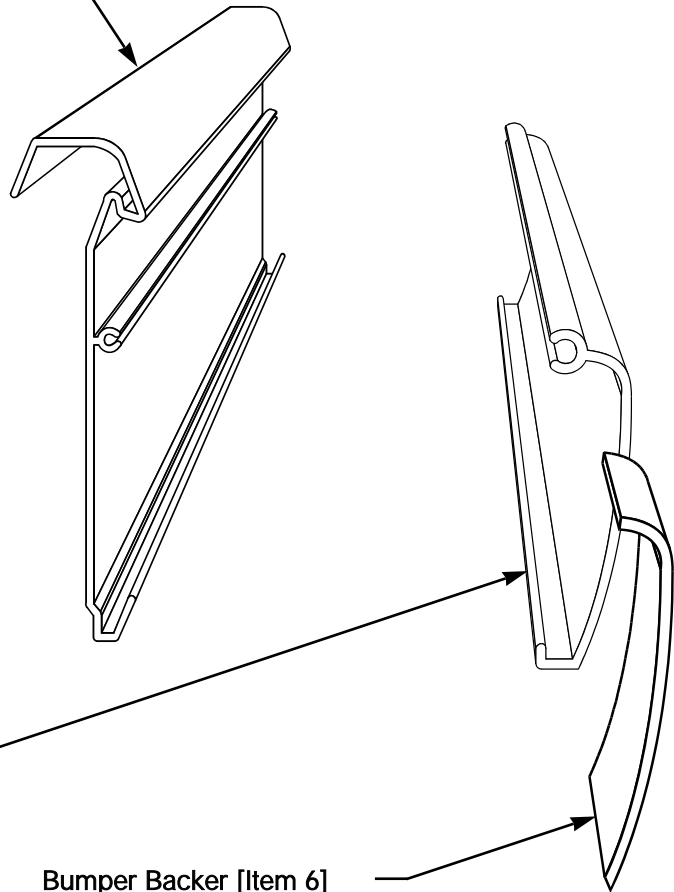
(96.062"):

Part No.	Color
9025421	Pearly Gates
9025491	White
9025504	Bone White
9025517	Misty Gray
9025530	Pearl
9025543	Oatmeal
9025557	Soft Sand
9025570	Chromium
9025583	Cool Gray
9025596	Oyster
9025609	Black
9028935	Steel Gray
9031792	Chocolate
9031819	Mocha
9031873	Stone

With Partition

(97.062"):

Part No.
9301760
9026949
9026950
9026951
9026952
9026953
9026954
9026955
9026956
9026957
9026958
9028937
9031794
9031821
9031875



Bumper [Item 5]

Without Partition

(96.062"):

Part No.	Color
9025036	White
9025067	Pearly Gates
9025266	Bone White
9025287	Misty Gray
9025308	Pearl
9025329	Oatmeal
9025350	Soft Sand
9025371	Chromium
9025392	Cool Gray
9025413	Oyster
9025434	Black
9028905	Steel Gray
9031687	Chocolate
9031724	Mocha
9031761	Stone

With Partition

(97.062"):

Part No.
9027179
9301745
9027180
9027181
9027182
9027183
9027184
9027185
9027186
9027187
9027188
9028907
9031689
9031726
9031763

Bumper Backer [Item 6]

Part No.

Part No.	Color
9025023	White
9025028	Bone White
9025035	Misty Gray
9025038	Pearl
9025041	Oatmeal
9025079	Pearly Gates
9025253	Soft Sand
9025258	Chromium
9025265	Cool Gray
9025268	Oyster
9025271	Black
9028883	Steel Gray
9031884	Chocolate
9031885	Mocha
9031886	Stone



CLADDING, COVERS AND TRIMS - (CONT'D)

NPW/NPWD - 12'

Bumper Retainer [Item 2]

Without Partition

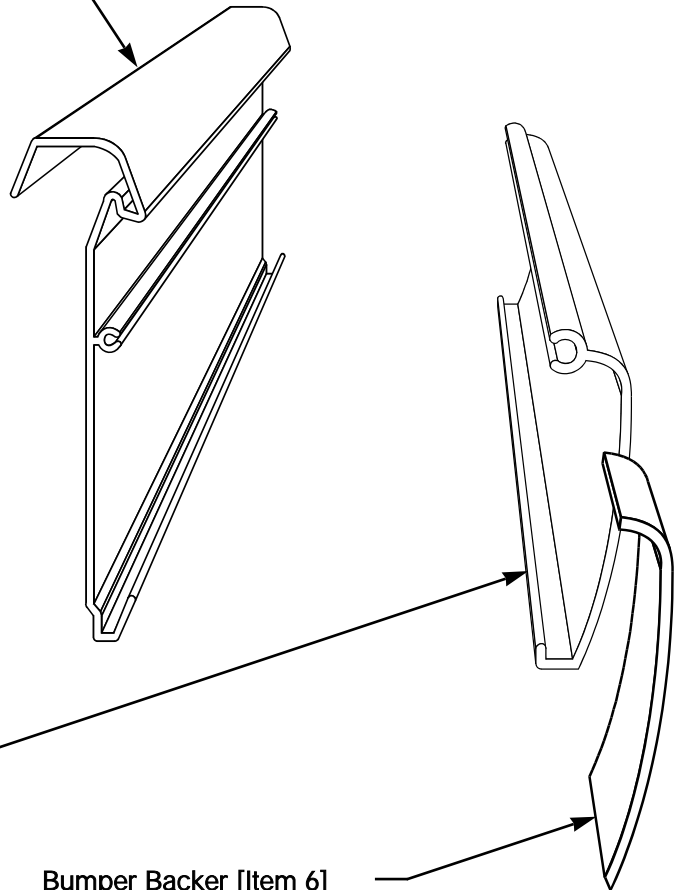
(144.062"):

Part No.	Color
9025426	Pearly Gates
9025493	White
9025506	Bone White
9025519	Misty Gray
9025532	Pearl
9025545	Oatmeal
9025559	Soft Sand
9025572	Chromium
9025585	Cool Gray
9025598	Oyster
9025611	Black
9028940	Steel Gray
9031797	Chocolate
9031824	Mocha
9031878	Stone

With Partition

(145.062"):

Part No.
9301761
9026969
9026970
9026971
9026972
9026973
9026974
9026975
9026976
9026977
9026978
9028942
9031799
9031826
9031880



Bumper [Item 5]

Without Partition

(144.062"):

Part No.	Color
9025039	White
9025068	Pearly Gates
9025269	Bone White
9025290	Misty Gray
9025311	Pearl
9025332	Oatmeal
9025353	Soft Sand
9025374	Chromium
9025395	Cool Gray
9025416	Oyster
9025437	Black
9028912	Steel Gray
9031695	Chocolate
9031732	Mocha
9031796	Stone

With Partition

(145.062"):

Part No.
9027199
9301747
9027200
9027201
9027202
9027203
9027204
9027205
9027206
9027207
9027208
9028914
9031697
9031734
9031771

Bumper Backer [Item 6]

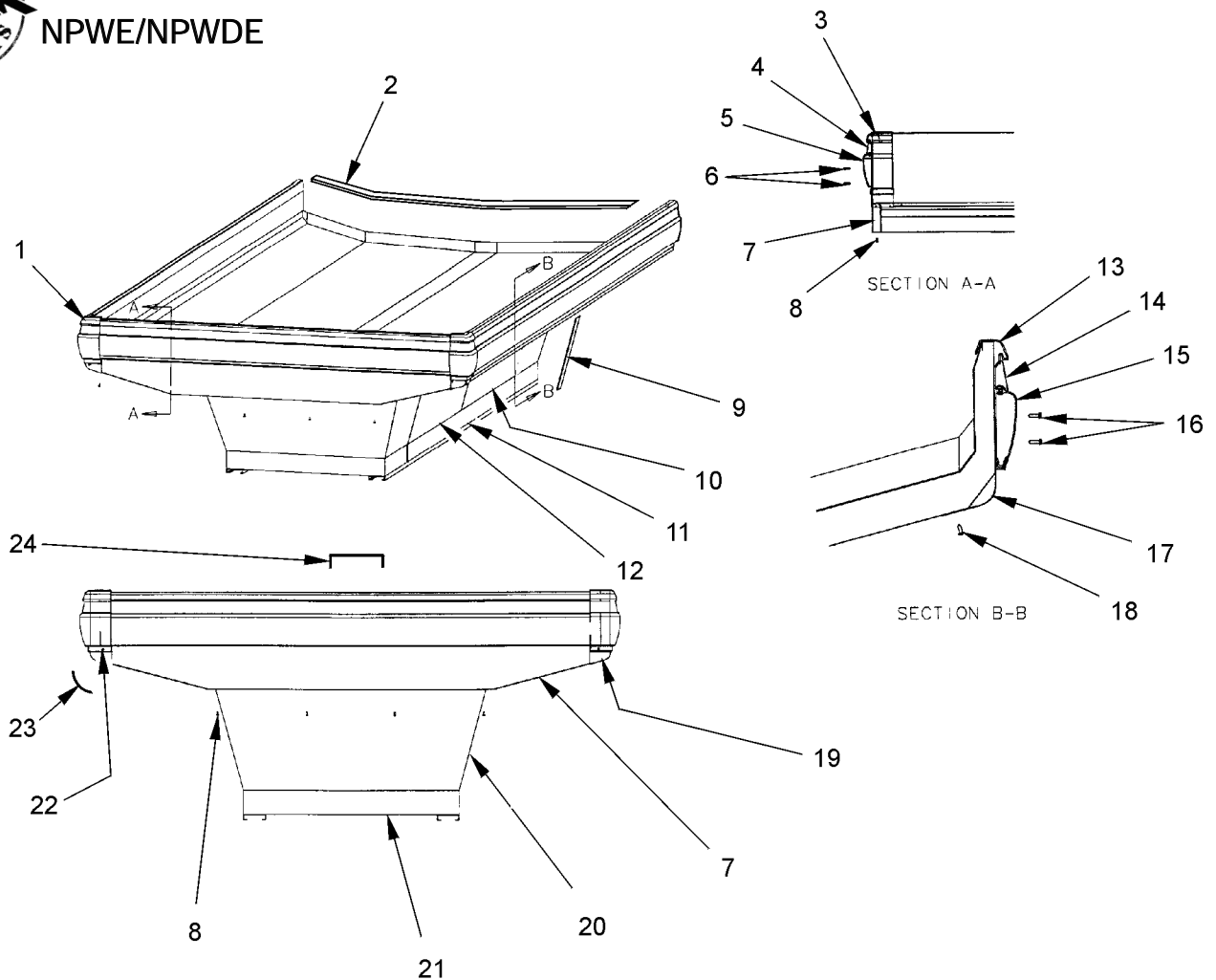
Part No.

Part No.	Color
9025023	White
9025028	Bone White
9025035	Misty Gray
9025038	Pearl
9025041	Oatmeal
9025079	Pearly Gates
9025253	Soft Sand
9025258	Chromium
9025265	Cool Gray
9025268	Oyster
9025271	Black
9028883	Steel Gray
9031884	Chocolate
9031885	Mocha
9031886	Stone



CLADDING, COVERS AND TRIMS - (CONT'D)

NPWE/NPWDE



8' and 12' Single End Merchandiser

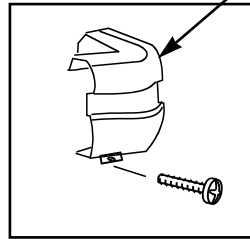
Item	Part No.	Quantity		Description	Item	Part No.	Quantity		Description
		8'	12'				8'	12'	
1	+	2	2	Bumper Corner Trim	15	9040223	1	1	Color Band Backer, Ptd.
	5183536	4	4	Screw (2 per corner trim)		+	2	2	Bumper
	5100982	4	4	Washer (2 per corner trim)		+	1	1	Bumper Backer
2	5215379	1	1	Body Joint Cover	16	9025833	17	25	Screw (per bmpr rtnr side)
3	+	1	1	End BMPR Retainer/Hand Rail	17	9025236	2	-	Side Cladding, Ptd.
4	9023794	1	1	End Color Band, Ptd.		9025237	-	2	Side Cladding, Ptd.
5	+	1	1	End Bumper	18	5048626	6	9	Screw (side cladding)
6	9025833	12	12	Screw (end bumper rtnr.)	19	9026197	1	1	RH Lower Corner Trim Assy.
7	9025440	1	1	End Cladding, Ptd.		9020995	1	1	FR LH Corner Trim
8	5048626	4	4	Screw (end cladding)		9020997	1	1	Side LH Corner Trim
9	5219179	2	2	Lower Cladding JT Trim, Ptd.		5048626	2	2	Screw (lwr corner trim)
10	5215415	2	4	47" Base Side Panel, Ptd.	20	5215200	1	1	Base End Panel, Ptd.
	5053985	4	8	Screw (2 per base side pnl)		5183536	5	5	Screw (base end panel)
11	5215910	2	2	Lower Base Side Panel, Ptd.	21	5215407	1	1	Lwr Base End Panel, Ptd.
	5183536	4	6	Screw (per lwr base panel)		5183536	7	7	Screw (lwr base end pnl)
12	5215195	2	2	12" Base Side Panel, Ptd.	22	9026198	1	1	LH Lower Corner Trim Assy.
	5053985	2	2	Screw (1 per base side pnl)		9020994	1	1	FR RH Corner trim
13	+	2	2	FR BMPR Retainer/Hand Rail		9020996	1	1	Side RH Corner Trim
	9025316	1	1	Bumper Rtnr Backer, Ptd.		5048626	2	2	Screw (per lwr corner trim)
14	9023798	2	-	Color Band, Ptd.	23	9028736	2	2	Upper Cladding Joint Trim
	9023800	-	2	Color Band, Ptd.		5048626	8	8	Screw
	9040223	1	1	Color Band Backer, Ptd.	24	5228160	1	1	Top Cap Joint Trim

+ See pages C5 and C6 for parts breakdown per color.



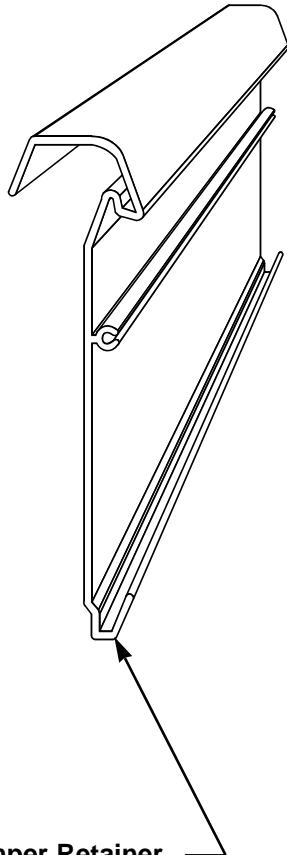
CLADDING, COVERS AND TRIMS - (CONT'D)

NPWE/NPWDE - 8'



Bumper Corner Trim [Item 1]

Part No.	Color
9025465	White
9026186	Bone White
9026187	Misty Gray
9026188	Pearl
9026189	Oatmeal
9026190	Soft Sand
9026191	Chromium
9026192	Cool Gray
9026193	Oyster
9026194	Black
9026445	Pearly Gates
9028881	Steel Gray
9031888	Chocolate
9031889	Mocha
9031890	Stone



Bumper Retainer

End [Item 3] (67.250") **Side [Item 13] (96.062")**

Part No.	Part No.	Color
9025486	9025491	White
9025499	9025504	Bone White
9025512	9025517	Misty Gray
9025525	9025530	Pearl
9025538	9025543	Oatmeal
9025551	9025557	Soft Sand
9025565	9025570	Chromium
9025578	9025583	Cool Gray
9025591	9025596	Oyster
9025604	9025609	Black
9025415	9025421	Pearly Gates
9028928	9028935	Steel Gray
9031785	9031792	Chocolate
9031812	9031819	Mocha
9031866	9031872	Stone



Bumper End [Item 5] (67.250")

Part No.	Part No.	Color
9025029	9025036	White
9025259	9025266	Bone White
9025280	9025287	Misty Gray
9025301	9025308	Pearl
9025322	9025329	Oatmeal
9025343	9025350	Soft Sand
9025364	9025371	Chromium
9025385	9025392	Cool Gray
9025406	9025413	Oyster
9025427	9025434	Black
9026500	9025067	Pearly Gates
9028896	9028905	Steel Gray
9031677	9031687	Chocolate
9031714	9031724	Mocha
9031751	9031761	Stone

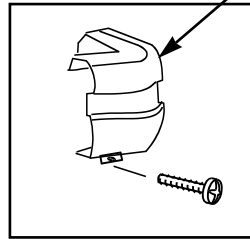
Bumper Backer

Part No.	Color
9025023	White
9025028	Bone White
9025035	Misty Gray
9025038	Pearl
9025041	Oatmeal
9025079	Pearly Gates
9025253	Soft Sand
9025258	Chromium
9025265	Cool Gray
9025268	Oyster
9025271	Black
9028883	Steel Gray
9031884	Chocolate
9031885	Mocha
9031886	Stone



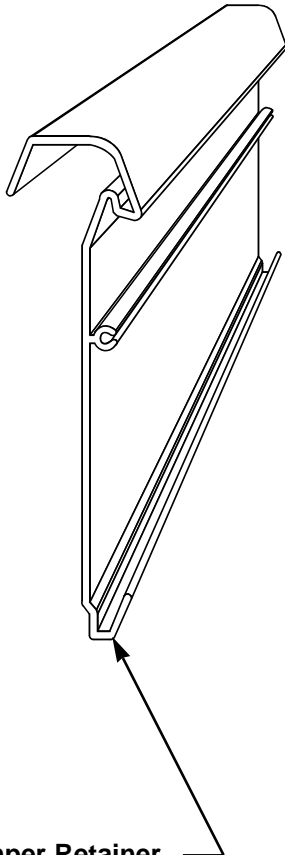
CLADDING, COVERS AND TRIMS - (CONT'D)

NPWE/NPWDE - 12'



Bumper Corner Trim [Item 1]

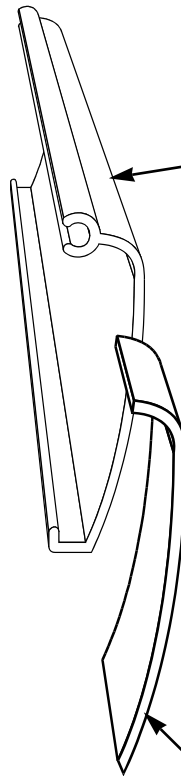
Part No.	Color
9025465	White
9026186	Bone White
9026187	Misty Gray
9026188	Pearl
9026189	Oatmeal
9026190	Soft Sand
9026191	Chromium
9026192	Cool Gray
9026193	Oyster
9026194	Black
9026445	Pearly Gates
9028881	Steel Gray
9031888	Chocolate
9031889	Mocha
9031890	Stone



Bumper Retainer

End [Item 3] (67.250") Side [Item 13] (144.062")

Part No.	Part No.	Color
9025486	9025493	White
9025499	9025506	Bone White
9025512	9025519	Misty Gray
9025525	9025532	Pearl
9025538	9025545	Oatmeal
9025551	9025559	Soft Sand
9025565	9025572	Chromium
9025578	9025585	Cool Gray
9025591	9025598	Oyster
9025604	9025611	Black
9025415	9025426	Pearly Gates
9028928	9028940	Steel Gray
9031785	9031797	Chocolate
9031812	9031824	Mocha
9031866	9031878	Stone



Bumper End [Item 5] (67.250")

Part No.	Part No.	Color
9025029	9025039	White
9025259	9025269	Bone White
9025280	9025290	Misty Gray
9025301	9025311	Pearl
9025322	9025332	Oatmeal
9025343	9025353	Soft Sand
9025364	9025374	Chromium
9025385	9025395	Cool Gray
9025406	9025416	Oyster
9025427	9025437	Black
9026500	9025068	Pearly Gates
9028896	9028912	Steel Gray
9031677	9031695	Chocolate
9031714	9031732	Mocha
9031751	9031769	Stone

Side [Item 15] (144.062")

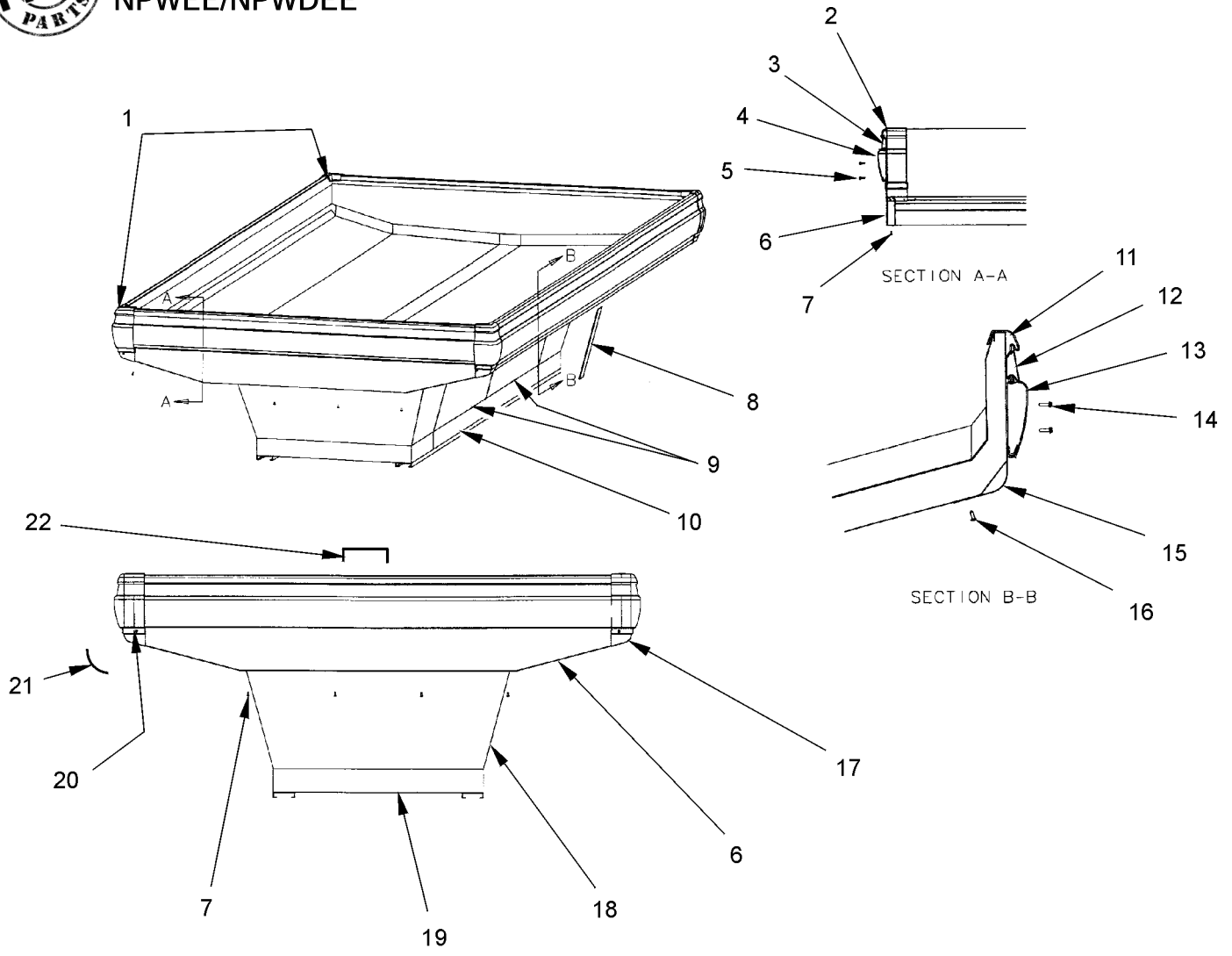
Bumper Backer

Part No.	Color
9025023	White
9025028	Bone White
9025035	Misty Gray
9025038	Pearl
9025041	Oatmeal
9025079	Pearly Gates
9025253	Soft Sand
9025258	Chromium
9025265	Cool Gray
9025268	Oyster
9025271	Black
9028883	Steel Gray
9031884	Chocolate
9031885	Mocha
9031886	Stone



CLADDING, COVERS AND TRIMS - (CONT'D)

NPWEE/NPWDEE



12' Double End Merchandiser

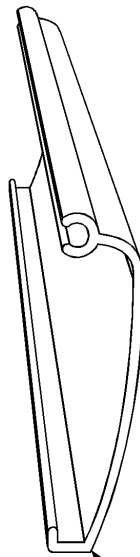
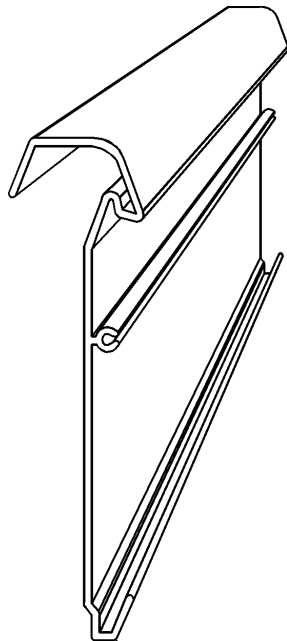
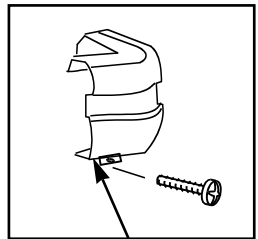
Item	Part No.	Qty.	Description	Item	Part No.	Qty.	Description
1	+	4	Bumper Corner Trim	15	9025237	2	Side Cladding, Ptd.
	5183536	8	Screw (2 per corner trim)	16	5048626	18	Screw (9 per side cladding)
	5100982	8	Washer (2 per corner trim)	17	9026197	2	RH Lower Corner Trim Assy.
2	+	2	End Bumper Retainer/Hand Rail		9020995	1	FR RH Corner Trim
3	9023794	2	End Color Band, Ptd.		9020997	1	Side RH Corner Trim
4	+	2	End Bumper		5048626	2	Screw (lwr corner trim)
5	9025833	24	Screw (end bumper retainer)	18	5215200	2	Base End Panel, Ptd.
6	9025440	2	End Cladding, Ptd.		5183536	10	Screw (5 per base end pnl)
7	5048626	8	Screw (end cladding)	19	5215407	2	Lower Base End Panel, Ptd.
8	5219579	2	Base Joint Trim, Ptd.		5183536	14	Screw (7 per lwr base pnl)
9	5215194	4	36" Base Side Panel, Ptd.	20	9026198	2	LH Lower Corner Trim Assy.
	5053985	8	Screw (2 per base side panel)		9020994	1	FR LH Corner Trim
10	5215911	2	Lower Base Side Panel, Ptd.		9020996	1	Side LH Corner Trim
	5183536	12	Screw (6 per lwr base side pnl)		5048626	2	Screw (lwr corner trim)
11	+	2	Bumper Retainer/Hand Rail	21	9028736	4	Upper Cladding Joint Trim
12	9023800	2	Color Band, Ptd.		5048626	16	Screw
13	+	2	Bumper	22	5228160	1	Top Cap Joint Trim
14	9025833	50	Screw (25 per bumper rtnr)				

+ See page C8 for parts breakdown per color.



CLADDING, COVERS AND TRIMS - (CONT'D)

NPWEE/NPWDEE - 12'



Bumper Corner Trim [Item 1]

Part No.	Color
9025465	White
9026186	Bone White
9026187	Misty Gray
9026188	Pearl
9026189	Oatmeal
9026190	Soft Sand
9026191	Chromium
9026192	Cool Gray
9026193	Oyster
9026194	Black
9026445	Pearly Gates
9028881	Steel Gray
9031888	Chocolate
9031889	Mocha
9031890	Stone

Bumper Retainer

End [Item 2] (67.250") Side [Item 11] (144.062")

Part No.	Part No.	Color
9025486	9025493	White
9025499	9025506	Bone White
9025512	9025519	Misty Gray
9025525	9025532	Pearl
9025538	9025545	Oatmeal
9025551	9025559	Soft Sand
9025565	9025572	Chromium
9025578	9025585	Cool Gray
9025591	9025598	Oyster
9025604	9025611	Black
9025415	9025426	Pearly Gates
9028928	9028940	Steel Gray
9031785	9031797	Chocolate
9031812	9031824	Mocha
9031866	9031878	Stone

Bumper

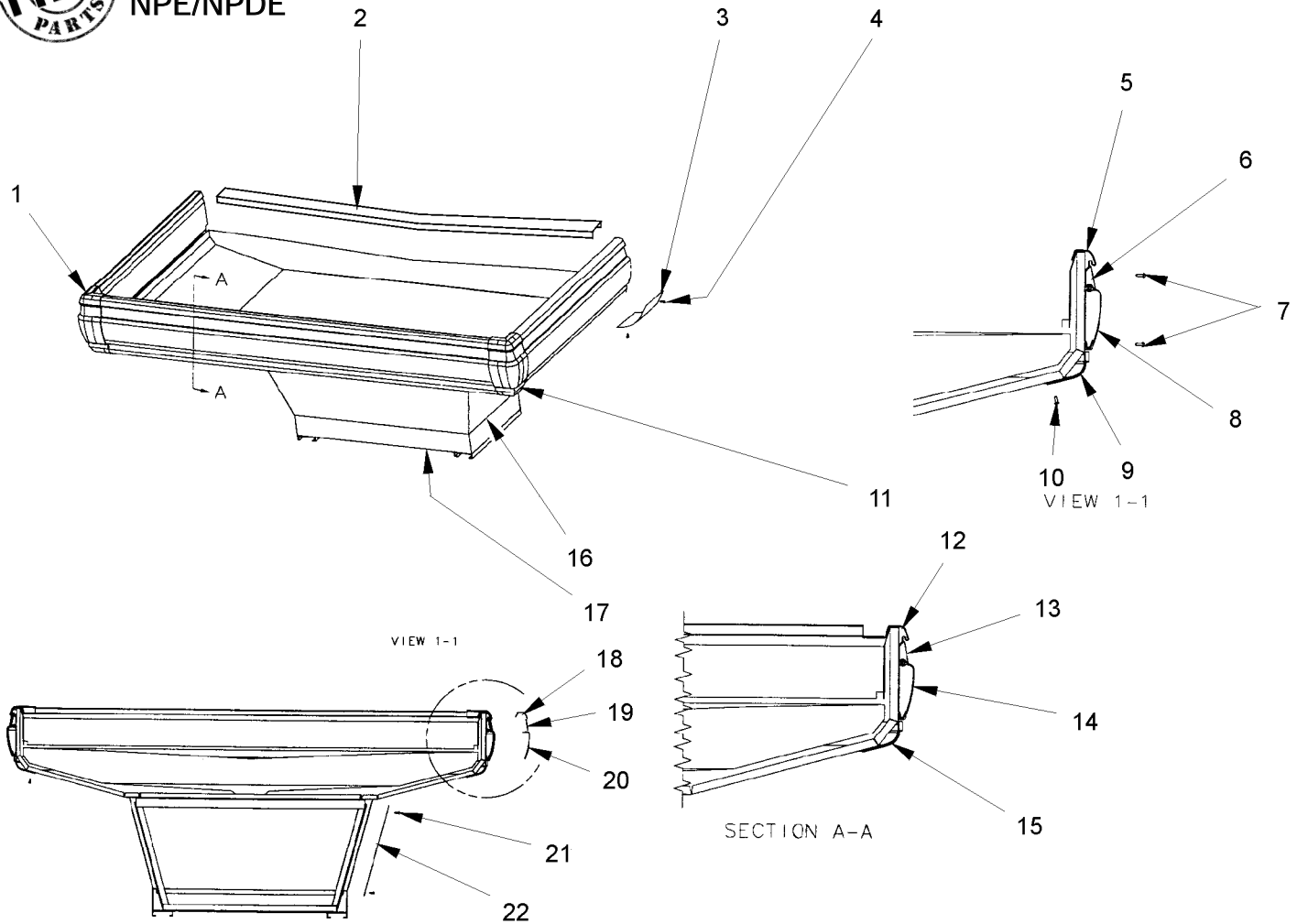
End [Item 4] (67.250") Side [Item 13] (144.062")

Part No.	Part No.	Color
9025029	9025039	White
9025259	9025269	Bone White
9025280	9025290	Misty Gray
9025301	9025311	Pearl
9025322	9025332	Oatmeal
9025343	9025353	Soft Sand
9025364	9025374	Chromium
9025385	9025395	Cool Gray
9025406	9025416	Oyster
9025427	9025437	Black
9026500	9025068	Pearly Gates
9028896	9028912	Steel Gray
9031677	9031695	Chocolate
9031714	9031732	Mocha
9031751	9031769	Stone



CLADDING, COVERS AND TRIMS - (CONT'D)

NPE/NPDE



End Merchandiser

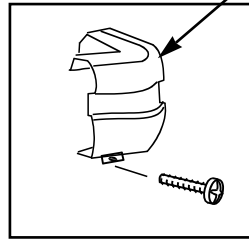
Item	Part No.	Qty.	Description	Item	Part No.	Qty.	Description
1	+	2	Bumper Corner Trim	12	+	1	End Bumper Rtnr/Hand Rail
	5183536	4	Screw (2 per corner trim)		9025833	12	Screw (end bumper rtnr)
	5100982	4	Washer (2 per corner trim)	13	9023794	1	End Color Band, Ptd.
2	5215379	1	Body Joint Cover	14	+	1	End Bumper
3	9028736	1	Cladding Joint Trim	15	9025967	1	End Cladding, Ptd.
4	5048626	4	Screw		5048626	4	Screw (end cladding)
5	+	2	Bumper Retainer/Hand Rail	16	5215200	1	Base End Panel, Ptd.
6	9023788	2	Color Band, Ptd.		5183536	5	Screw (base end panel)
7	9025833	14	Screw (7 per bumper retainer)	17	5215407	1	Lower Base End Panel, Ptd.
8	+	1	Bumper		5183536	7	Screw (lwr base end pnl)
9	9025458	2	Side Cladding, Ptd.	18	9025316	1	Bmpr Rtnr/Hand Rail Backer
10	5048626	4	Screw (2 per side cladding)	19	9040223	1	Color Band Backer, Ptd.
11	9026076	2	Lower Corner Trim	20	+	1	Bumper Backer
	5048626	4	Screw (2 per lwr corner trim)	21	5205439	4	Screw (base joint trim)
				22	5219179	1	Base Joint Trim

+ See page C10 for parts breakdown per color.



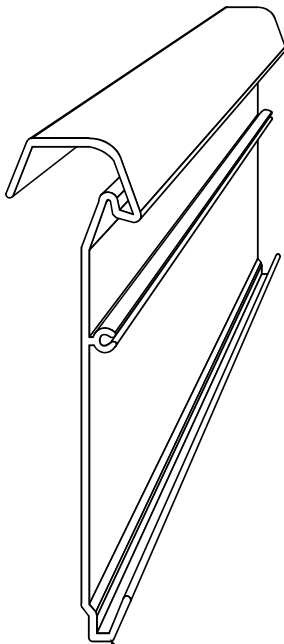
CLADDING, COVERS AND TRIMS - (CONT'D)

NPE/NPDE



Bumper Corner Trim [Item 1]

Part No.	Color
9025465	White
9026186	Bone White
9026187	Misty Gray
9026188	Pearl
9026189	Oatmeal
9026190	Soft Sand
9026191	Chromium
9026192	Cool Gray
9026193	Oyster
9026194	Black
9026445	Pearly Gates
9028881	Steel Gray
9031888	Chocolate
9031889	Mocha
9031890	Stone



Bumper Retainer End [Item 5] Side [Item 13] (67.250") (34.500")

Part No.	Part No.	Color
9025486	9025482	White
9025499	9025495	Bone White
9025512	9025508	Misty Gray
9025525	9025521	Pearl
9025538	9025534	Oatmeal
9025551	9025547	Soft Sand
9025565	9025561	Chromium
9025578	9025574	Cool Gray
9025591	9025587	Oyster
9025604	9025600	Black
9025415	9025412	Pearly Gates
9028928	9028919	Steel Gray
9031785	9031776	Chocolate
9031812	9031803	Mocha
9031866	9031857	Stone



Bumper End [Item 5] Side [Item 15] (67.250") (34.500")

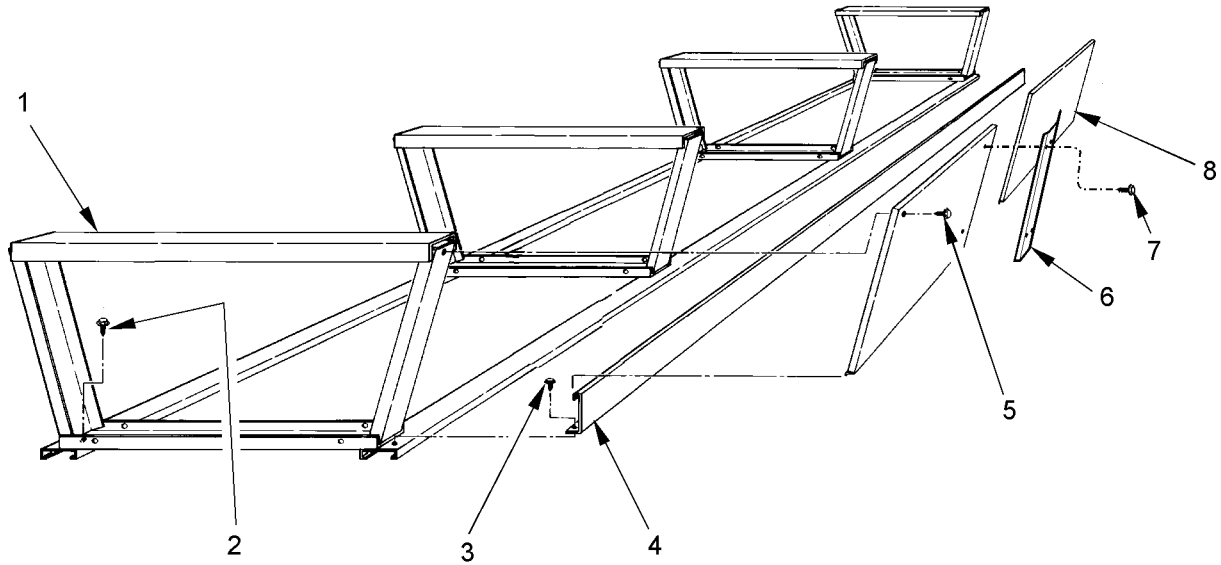
Part No.	Part No.	Color
9025029	9025021	White
9025259	9025251	Bone White
9025280	9025272	Misty Gray
9025301	9025293	Pearl
9025322	9025314	Oatmeal
9025343	9025335	Soft Sand
9025364	9025356	Chromium
9025385	9025377	Cool Gray
9025406	9025398	Oyster
9025427	9025419	Black
9026500	9026499	Pearly Gates
9028896	9028884	Steel Gray
9031677	9031665	Chocolate
9031714	9031702	Mocha
9031751	9031739	Stone

Bumper Backer [Item 21]

Part No.	Color
9025023	White
9025028	Bone White
9025035	Misty Gray
9025038	Pearl
9025041	Oatmeal
9025079	Pearly Gates
9025253	Soft Sand
9025258	Chromium
9025265	Cool Gray
9025268	Oyster
9025271	Black
9028883	Steel Gray
9031884	Chocolate
9031885	Mocha
9031886	Stone



STRUCTURAL COMPONENTS
 BASE AND LOWER CLADDING - NPW/NPWD

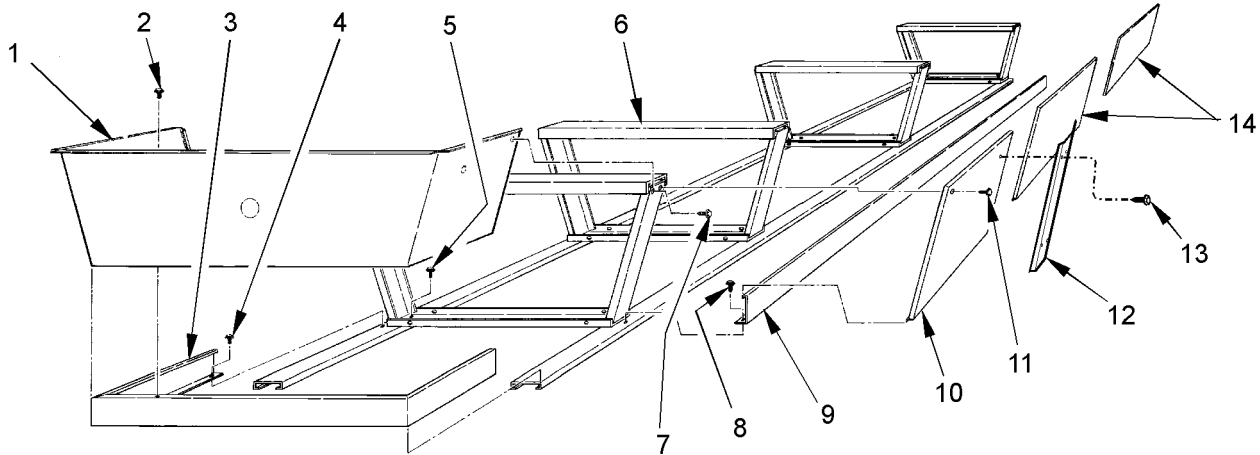


8' and 12' Merchandiser

Item	Part No.	Quantity		Description
		8'	12'	
1	5215404	1	-	Base & Truss Assy.
	5215405	-	1	Base & Truss Assy.
2	5183536	14	20	Screw
3	1309067	12	16	Screw
4	5215406	2	-	Base Panel, Ptd. (1 per side)
	5215407	-	2	Base Panel, Ptd. (1 per side)
5	5100217	8	12	Screw (2 per base side pnl)
6	5219179	2	4	Lower Base Joint Trim, Ptd
7	5205439	8	16	Screw (4 per joint trim)
8	5215415	4	6	Base Side Panel, Ptd.



STRUCTURAL COMPONENTS - (CONT'D)
 BASE AND LOWER CLADDING - NPWE/NPWDE

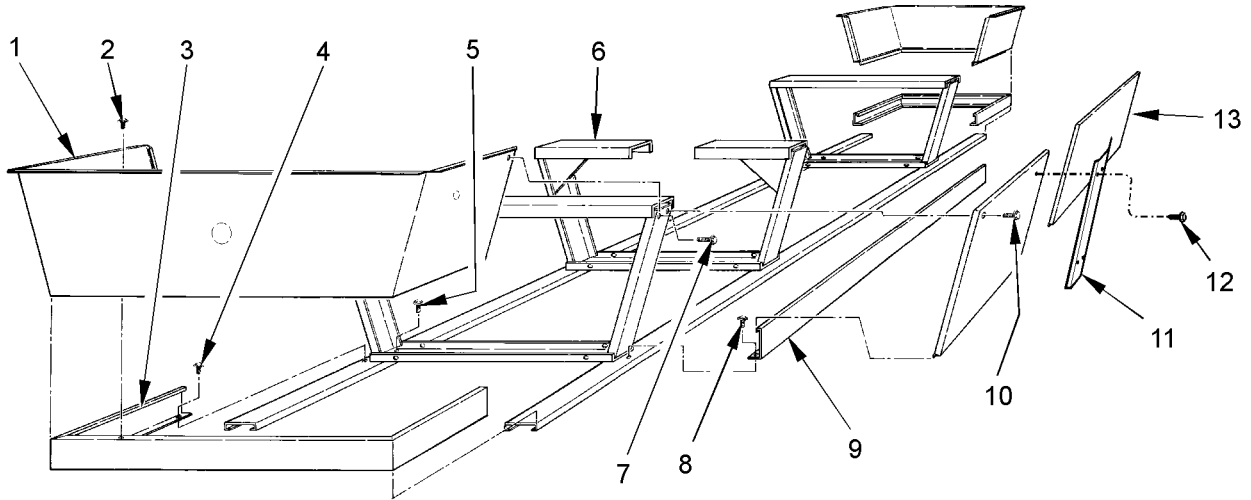


8' and 12' Single End Merchandiser

Item	Part No.	Quantity		Description
		8'	12'	
1	5215200	1	1	Base End Panel, Ptd.
2	5183536	7	7	Screw
3	5215402	1	1	Base End Lower Panel, Ptd.
4	5183536	6	6	Screw
5	1309067	12	16	Screw
6	5216362	1	-	Base & Truss Assy.
	5216363	-	1	Base & Truss Assy.
7	5053985	8	12	Screw
8	5183536	8	12	Screw
9	5215910	2	-	Base Panel, Ptd.
	5216359	-	2	Base Panel, Ptd.
10	5215195	2	2	Base Side Panel, Ptd.
11	5053985	8	12	Screw (2 per base side pnl)
12	5219179	4	6	Lwr Base Joint Trim
13	5205439	16	24	Screw (4 per joint trim)
14	5215415	2	4	Base Side Panel, Ptd.



STRUCTURAL COMPONENTS - (CONT'D)
 BASE AND LOWER CLADDING - NPWEE/NPWDEE



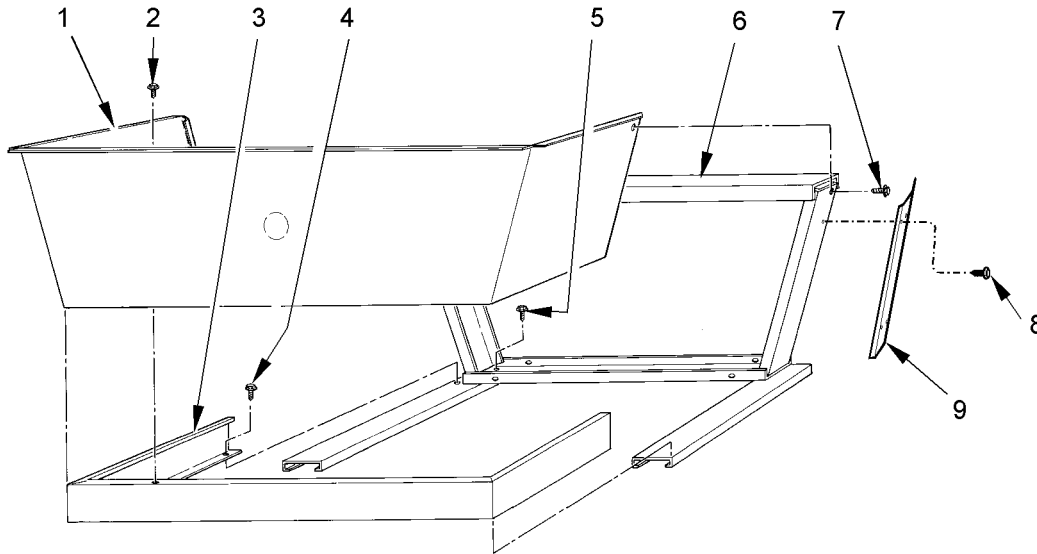
12' Double End Merchandiser

Item	Part No.	Qty.	Description
1	5215200	2	Base End Panel, Ptd.
2	5183536	14	Screw
3	5215402	2	Base End Lower Panel, Ptd.
4	5183536	12	Screw
5	1309067	12	Screw
6	5215202	1	Base & Truss Assy.
7	5053985	4	Screw
8	5183536	14	Screw
9	5215911	2	Base Panel, Ptd.
10	5053985	8	Screw (2 per base side pnl)
11	5219179	6	Lwr Base Joint Trim, Ptd (3 per side)
12	5205439	24	Screw (4 per joint trim)
13	5215194	4	Base Side Panel, Ptd.



STRUCTURAL COMPONENTS - (CONT'D)

BASE AND LOWER CLADDING - NPE/NPDE

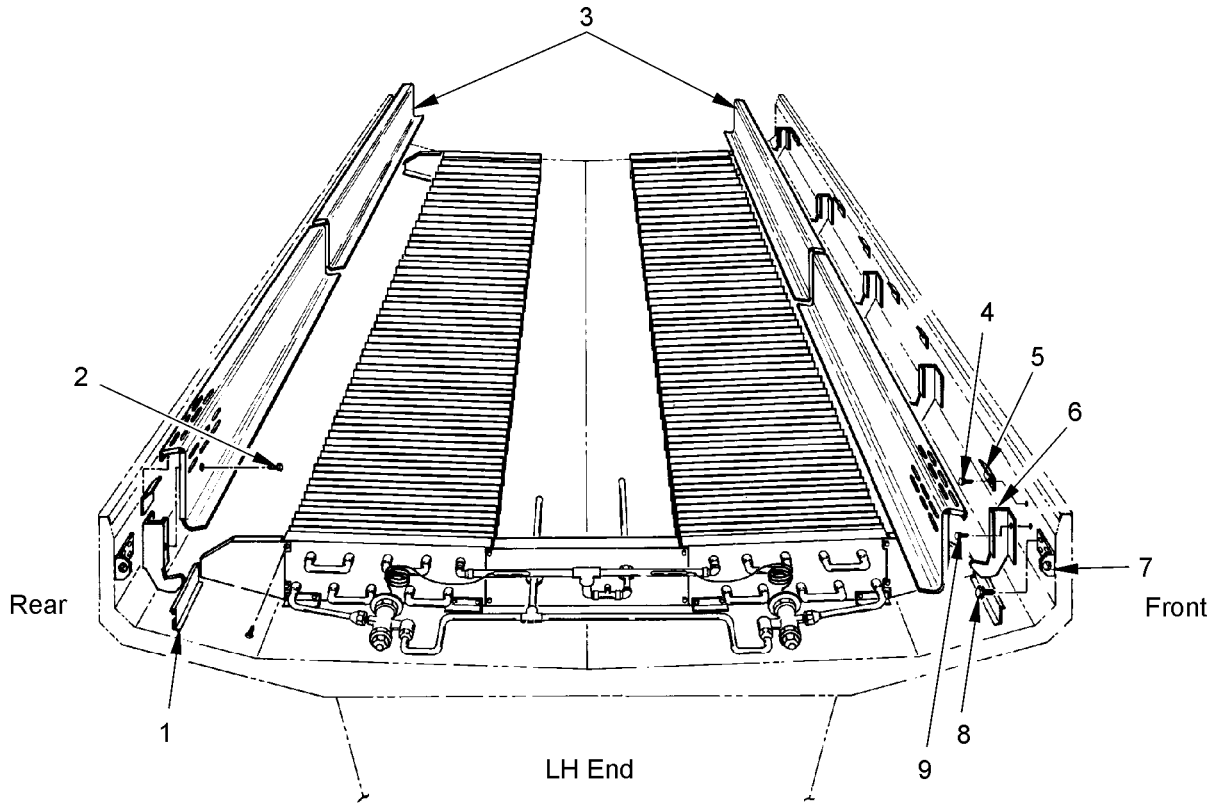


End Merchandiser

Item	Part No.	Qty.	Description
1	5215200	1	Base End Panel, Ptd.
2	5183536	7	Screw
3	5215402	1	Base End Lower Panel, Ptd
4	5183536	6	Screw
5	1309067	4	Screw
6	5215400	1	Base & Truss Assy.
7	5053985	2	Screw
8	5205439	8	Screw (4 per joint trim)
9	5219179	2	Lower Base Joint Trim, Ptd.



STRUCTURAL COMPONENTS - (CONT'D)
 DUCTS AND Z-BARS - NPW/NPWD

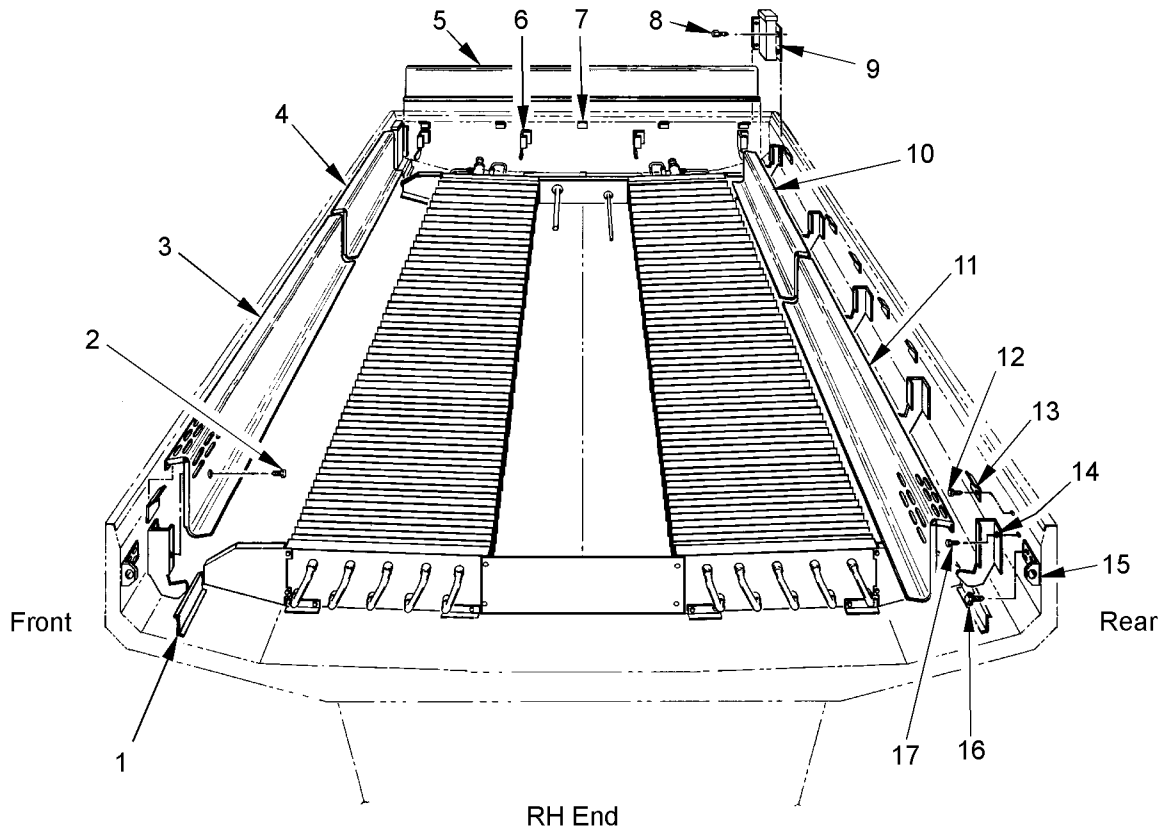


8' and 12' Merchandiser

Item	Part No.	Quantity		Description
		8'	12'	
1	5215259	4	4	Lower Duct End Close-off
2	5183536	2	4	Screw
3	5215302	2	-	Duct, Front & Rear
	5215298	-	4	Duct, Front & Rear
4	5183536	24	32	Screw (2 per clip)
5	5217198	12	16	Duct Clip
6	5215241	10	14	Z-Bar, Front & Rear
7	5623826	4	4	Pull-up Angle
8	1309067	4	4	Screw (2 per z-bar)
9	5120943	20	28	Screw



STRUCTURAL COMPONENTS - (CONT'D)
 DUCTS AND Z-BARS - NPWE/NPWDE

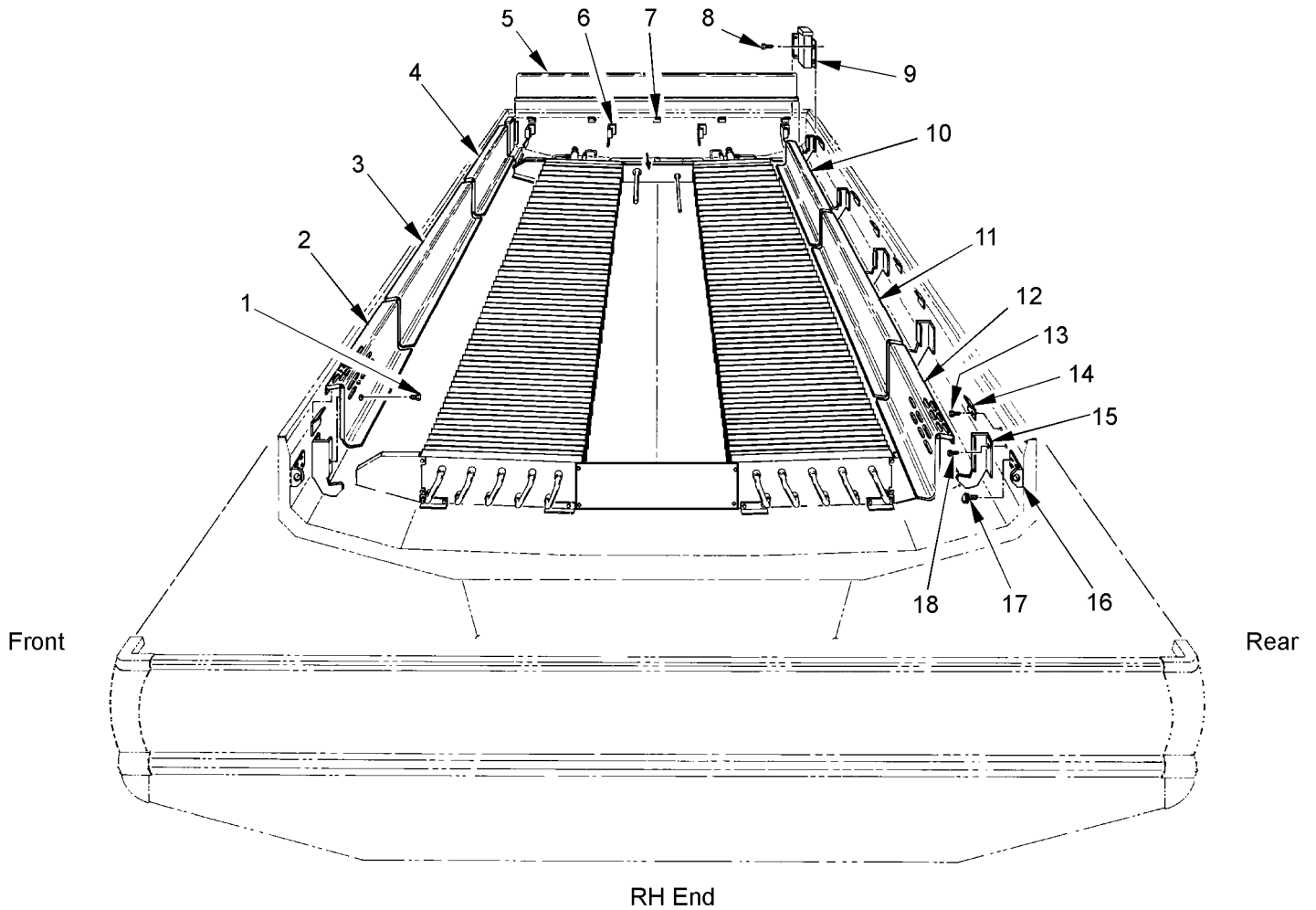


8' and 12' Single End Merchandiser

Item	Part No.	Quantity		Description	Item	Part No.	Quantity		Description
		8'	12'				8'	12'	
1	5215259	2	2	Lower Duct End Close-off	10	5215462	1	1	LH Rear Duct
2	5183536	6	6	Screw		5215300	1	-	RH Rear Duct
3	5215300	1	-	RH Front Duct	11	5215299	-	1	RH Rear Duct
	5215299	-	-	RH Front Duct	12	5183536	34	42	Screw (2 per clip)
4	5215461	1	1	LH Front Duct	13	5217198	12	16	Duct Clip, Front & Rear
5	5215301	1	1	End Duct	14	5215241	10	14	Z-Bar, Front & Rear
6	5215241	4	4	Z-Bar, End	15	5623826	4	4	Pull-up Angle
7	5217198	5	5	End Duct Clips	16	1309067	16	16	Screw (4 per angle)
8	5183536	8	8	Screw (4 per corner)	17	5120943	28	36	Screw (2 per z-bar)
9	5215905	2	2	Inside Corner Trim					



STRUCTURAL COMPONENTS - (CONT'D)
 DUCTS AND Z-BARS - NPWEE/NPWDEE

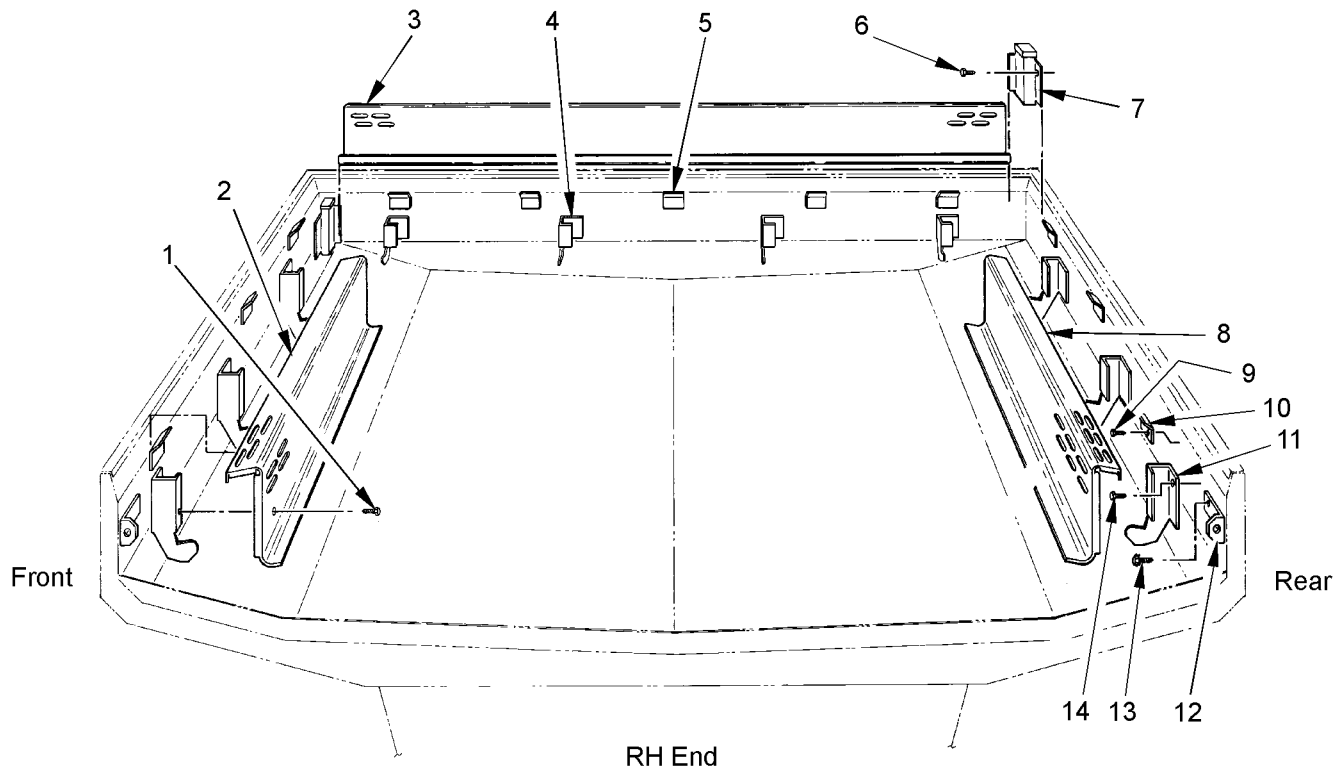


12' Double End Merchandiser

Item	Part No.	Qty.	Description	Item	Part No.	Qty.	Description
1	5183536	8	Screw	10	5215461	1	LH Rear Duct
2	5215461	1	RH Front Duct	11	5215298	1	CTR Rear Duct
3	5215298	1	CTR Front Duct	12	5215462	1	RH Rear Duct
4	5215462	1	LH Front Duct	13	5183536	72	Screw (2 per duct clip)
5	5215301	2	End Duct	14	5217198	26	Duct Clip
6	5215241	8	End Z-Bar (4 per end)	15	5215241	14	Z-Bar, Front & Rear
7	5217198	10	End Duct Clip (5 per end duct)	16	5623826	4	Pull-up Angle
8	5183536	16	Screw (4 per trim)	17	1309067	16	Screw (4 per angle)
9	5215905	4	Inside Corner Trim (1 per corner)	18	5120943	48	Screw (2 per z-bar)



STRUCTURAL COMPONENTS - (CONT'D)
 DUCTS AND Z-BARS - NPE/NPDE

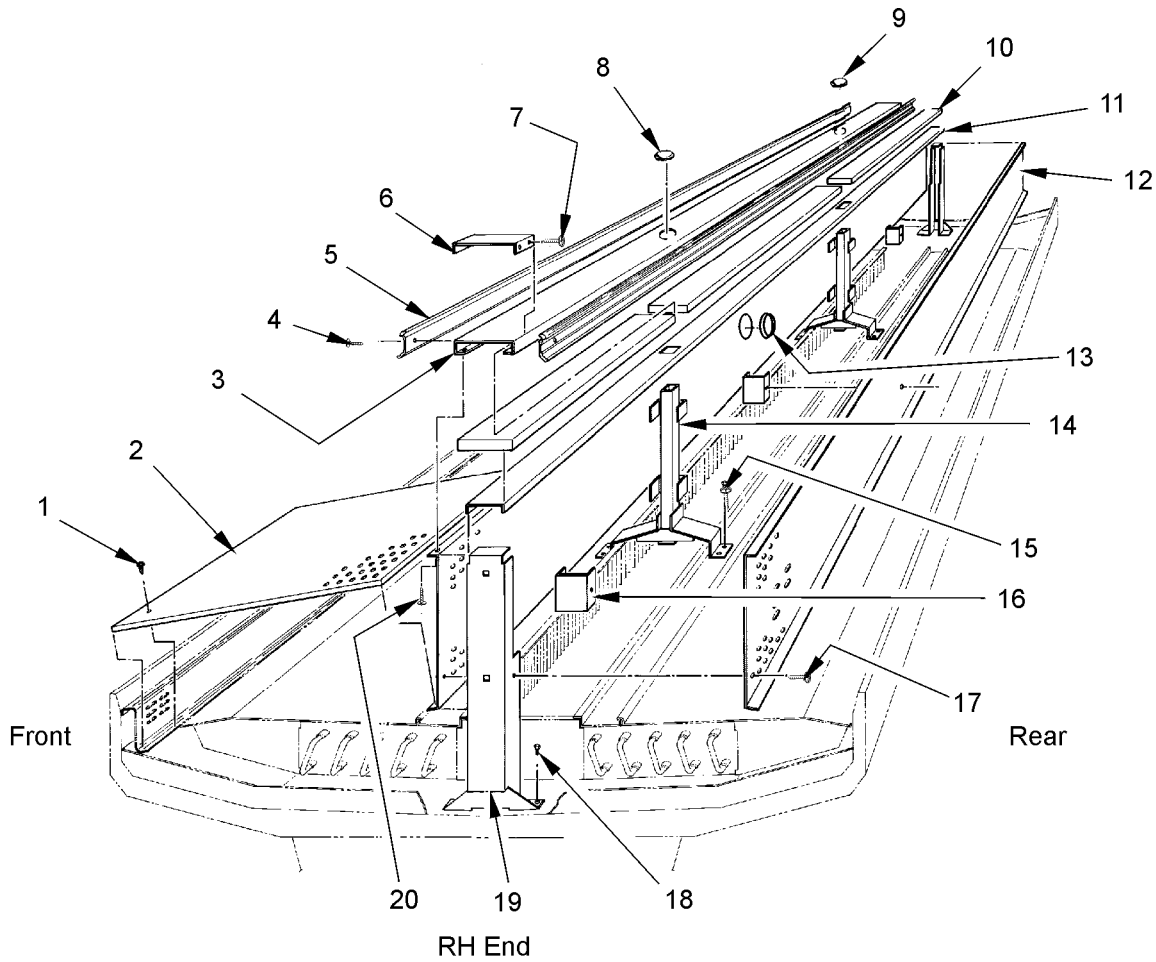


End Merchandiser

Item	Part No.	Qty.	Description	Item	Part No.	Qty.	Description
1	5183536	6	Screw	8	5215304	1	LH Rear Duct
2	5215303	1	RH Front Duct	9	5183536	22	Screw (2 per duct clip)
3	5217201	1	End Duct	10	5217198	6	Duct Clip
4	5215241	4	End Duct Z-Bar	11	5215241	6	Duct Z-Bar, Front & Rear
5	5217198	5	End Duct Clip	12	5623826	2	Pull-up Angle
6	5183536	8	Screw (4 per corner trim)	13	1309067	8	Screw (4 per angle)
7	5215905	2	Inside Corner Trim	14	5120943	20	Screw (2 per z-bar)



STRUCTURAL COMPONENTS - (CONT'D)
DISCHARGE DUCTS AND TRAYS - NPW/NPWD

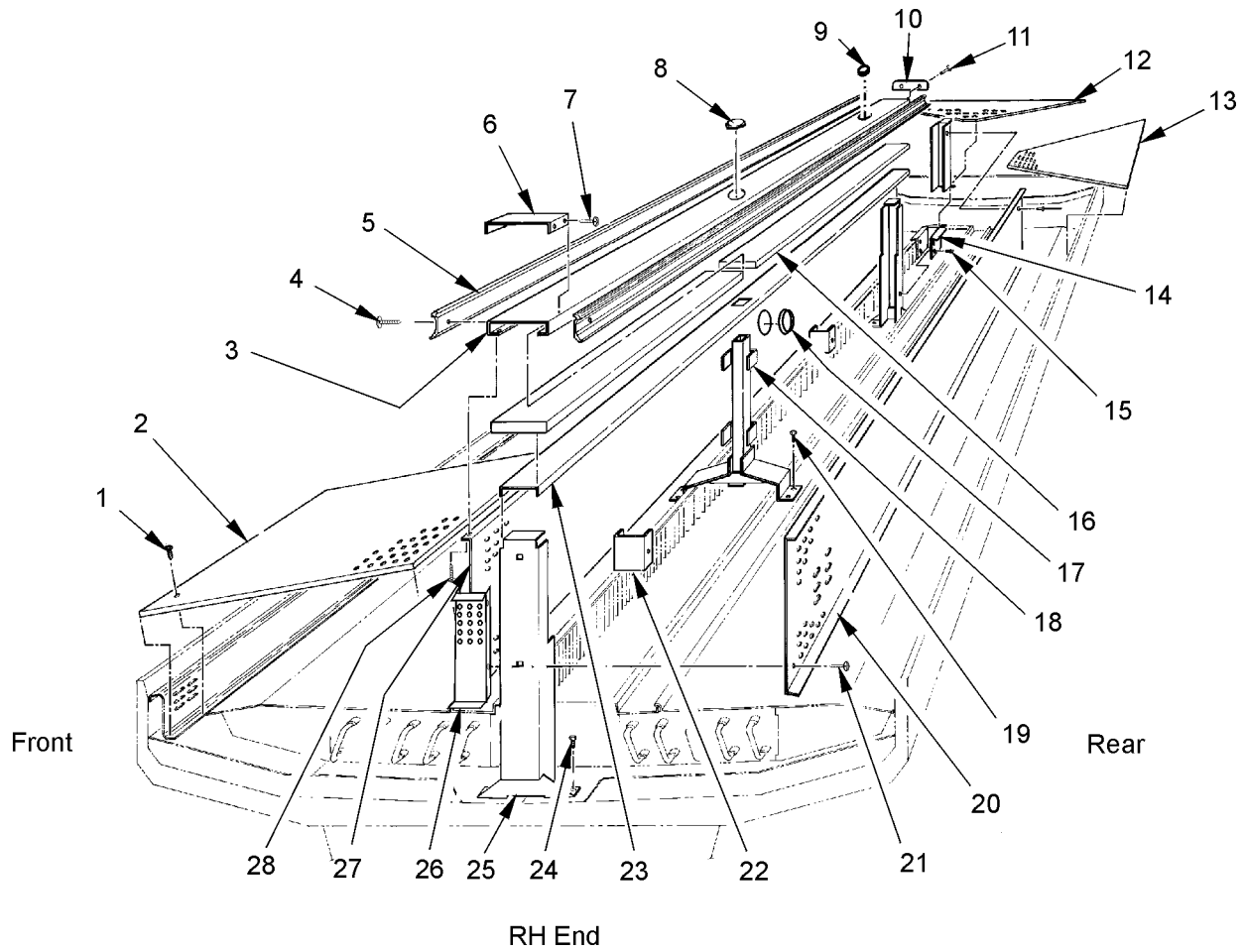


8' and 12' Merchandiser

Item	Part No.	Quantity		Description	Item	Part No.	Quantity		Description
		8'	12'				8'	12'	
1	5183536	16	24	Screw (2 per tray)	11	5215273	1	-	Top Reinforc. Channel
2	5215313	8	12	Front & Rear Tray		5215274	-	1	Top Reinforc. Channel
3	5227473	1	-	Top Cap Trim	12	5215292	2	-	CTR Discharge Duct
	5227474	-	1	Top Cap Trim		5215288	-	2	-
4	5048626	12	16	Screw	13	5238710	2	2	Plug Button, 2 1/2"
5	5236930	2	-	Card Molding, 1 1/4"	14	5215387	1	2	Scale Support Weld Assy.
	5236936	-	2	Card Molding, 1 1/4"		15	5183536	4	8
6	5217202	1	1	Top Cap Joint Trim	16	5215804	2	3	Discharge Duct Spacer
7	5048626	4	4	Screw	17	5183536	28	42	Screw
8	5627813	1	1	Plug Button, 3/4"	18	5123703	4	4	Screw (2 per upright)
9	5197935	1	1	Plug Button, 1 1/4"	19	5215282	2	2	End Upright Assy.
10	5217279	2	3	Insulation, 1"	20	5048626	5	8	Screw
	5227488	2	3	Insulation, 1/2" (NPWD)					



STRUCTURAL COMPONENTS - (CONT'D)
DISCHARGE DUCTS AND TRAYS - NPWE/NPWDE

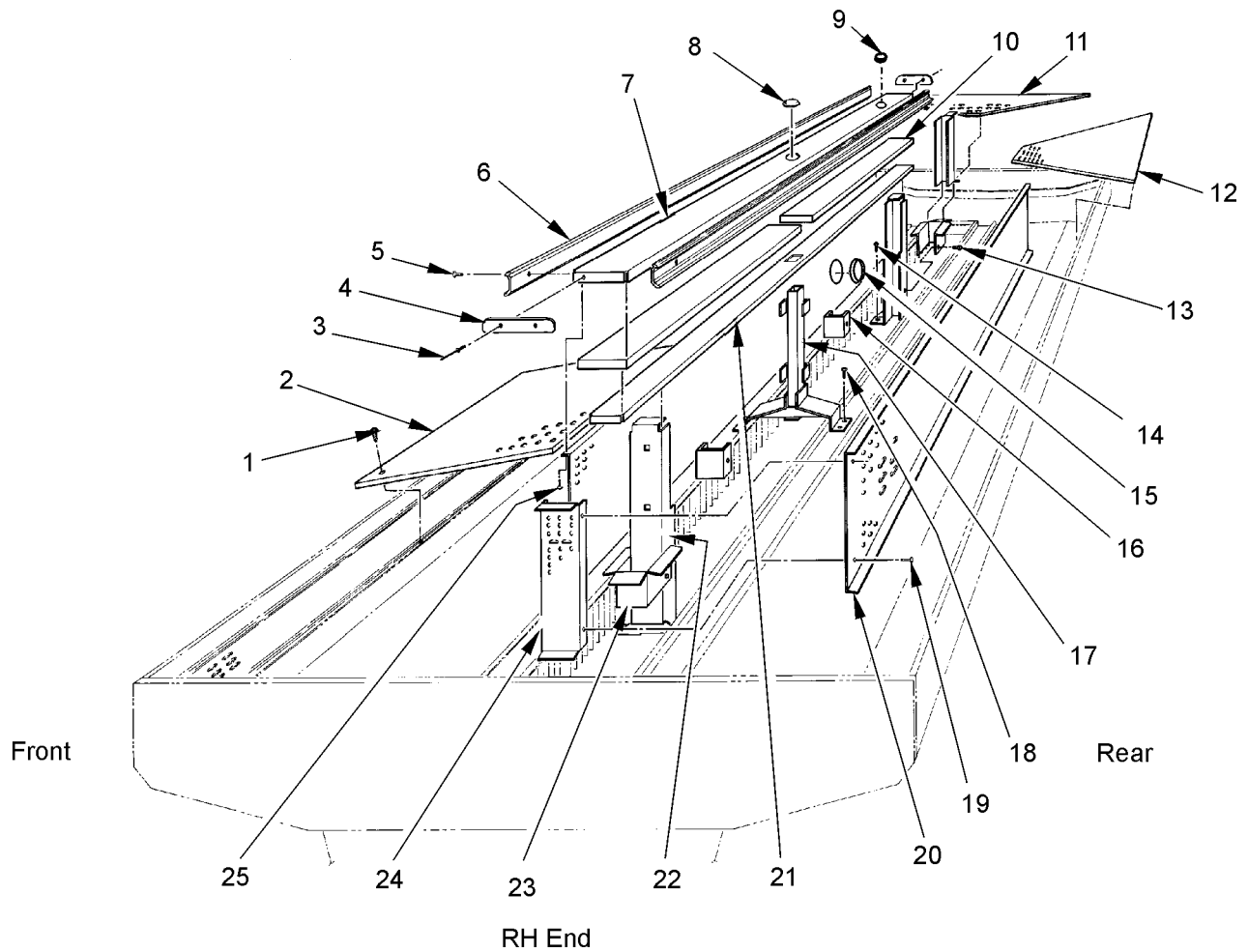


8' and 12' Single End Merchandiser

Item	Part No.	Quantity		Description	Item	Part No.	Quantity		Description
		8'	12'				8'	12'	
1	5183536	18	26	Screw	15	5183536	4	4	Screw
2	5215313	4	8	Tray, Front & Rear	16	5217279	2	3	Insulation, 1"
	5948062	2	2	Tray, Front & Rear		5227488	2	3	Insulation, 1/2" (NPWDE)
3	5227475	1	-	Top Cap Trim	17	5238710	2	2	Plug Button, 2 1/2"
	5227476	-	1	Top Cap Trim	18	5215254	1	1	Scale Support Assy.
4	5048626	12	16	Screw	19	5183536	4	4	Screw
5	5236919	2	-	Card Molding, 1 1/4"	20	5218342	1	-	Rear Discharge Duct
	5236934	-	2	Card Molding, 1 1/4"		5218345	-	1	Rear Discharge Duct
6	5217202	1	1	Top Cap Joint Trim	21	5183536	18	20	Screw
7	5048626	4	4	Screw	22	5215804	2	2	Discharge Duct Spacer
8	5627813	1	1	Plug Button, 3/4"	23	5990880	1	-	Top Reinforc. Channel
9	5197935	1	1	Plug Button, 1 1/4"		5218337	-	1	Top Reinforc. Channel
10	5227489	1	1	Riser End Trim	24	5123703	4	4	Screw
11	5048626	2	2	Screw	25	5215282	2	2	Upright End Assy.
12	5215355	1	1	CTR End Tray	26	5218347	1	1	CTR End Discharge Duct
13	5217194	1	1	LH End Tray	27	5218344	1	-	Front Discharge Duct
	5217193	1	1	RH End Tray		5218343	-	1	Front Discharge Duct
14	5217205	1	1	Upright Support	28	5048626	5	8	Screw



STRUCTURAL COMPONENTS - (CONT'D)
DISCHARGE DUCTS AND TRAYS -NPWEE/NPWDEE

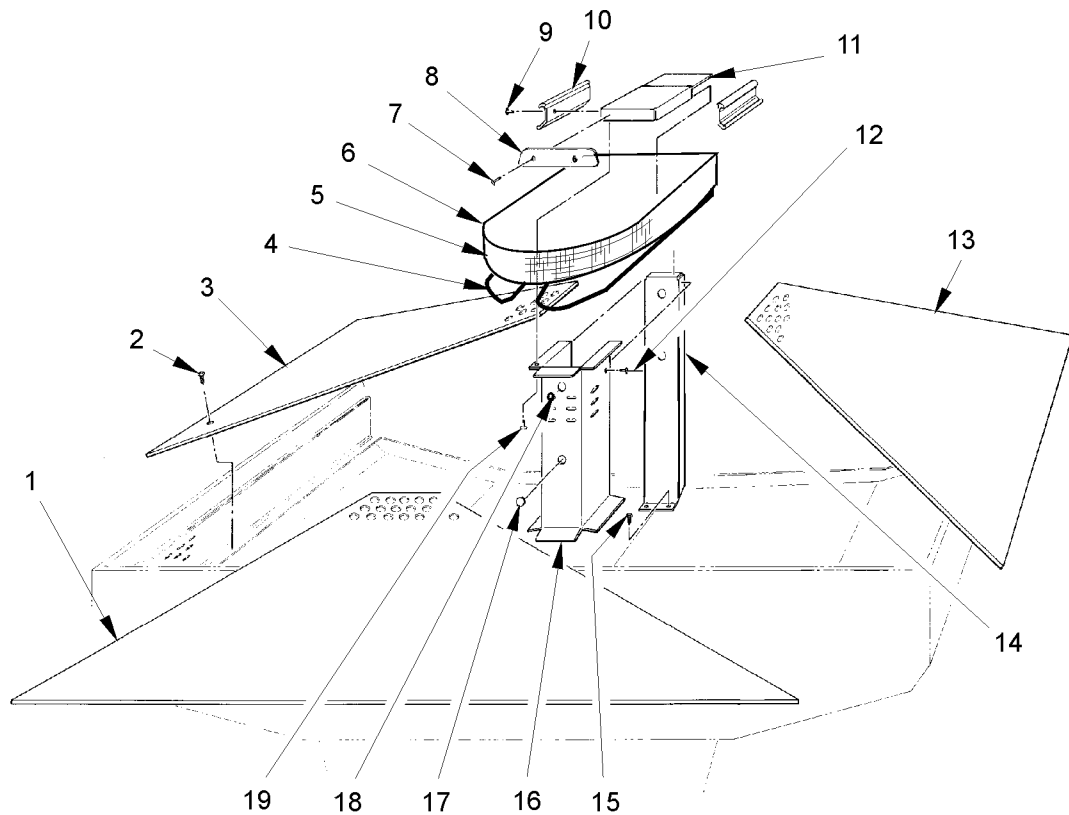


12' Double End Merchandiser

Item	Part No.	Qty.	Description	Item	Part No.	Qty.	Description
1	5183536	24	Screw	14	5123703	4	Screw
2	5215313	6	Tray, Front & Rear	15	5215804	2	Discharge Duct Spacer
3	5048626	4	Screw (2 per trim)	16	5238710	2	Plug Button, 2 1/2"
4	5217203	2	Riser End Trim	17	5215254	1	Scale Support Assy.
5	5048626	10	Screw	18	5183536	4	Screw
6	5236927	2	Card Molding, 1 1/4"	19	5183536	24	Screw
7	5227477	1	Top Trim Cap	20	5218346	2	Discharge Duct Panel, Front & Rear
8	5627813	1	Plug Button, 3/4"	21	5218338	1	Top Reinforc. Channel
9	5197935	1	Plug Button, 1 1/4"	22	5215282	2	End Upright Assy.
10	5217279	2	Insulation, 1"	22	5217205	2	Upright Support
	5227488	2	Insulation, 1/2" (NPWDEE)	23	5218347	2	CTR End Discharge Duct
11	5215355	2	CTR End Tray (1 per end)	25	5048626	6	Screw
12	5217194	2	LH End Tray (1 per end)				
	5217193	2	RH End Tray (1 per end)				
13	5183536	8	Screw				



STRUCTURAL COMPONENTS - (CONT'D)
DISCHARGE DUCTS AND TRAYS - NPE/NPDE

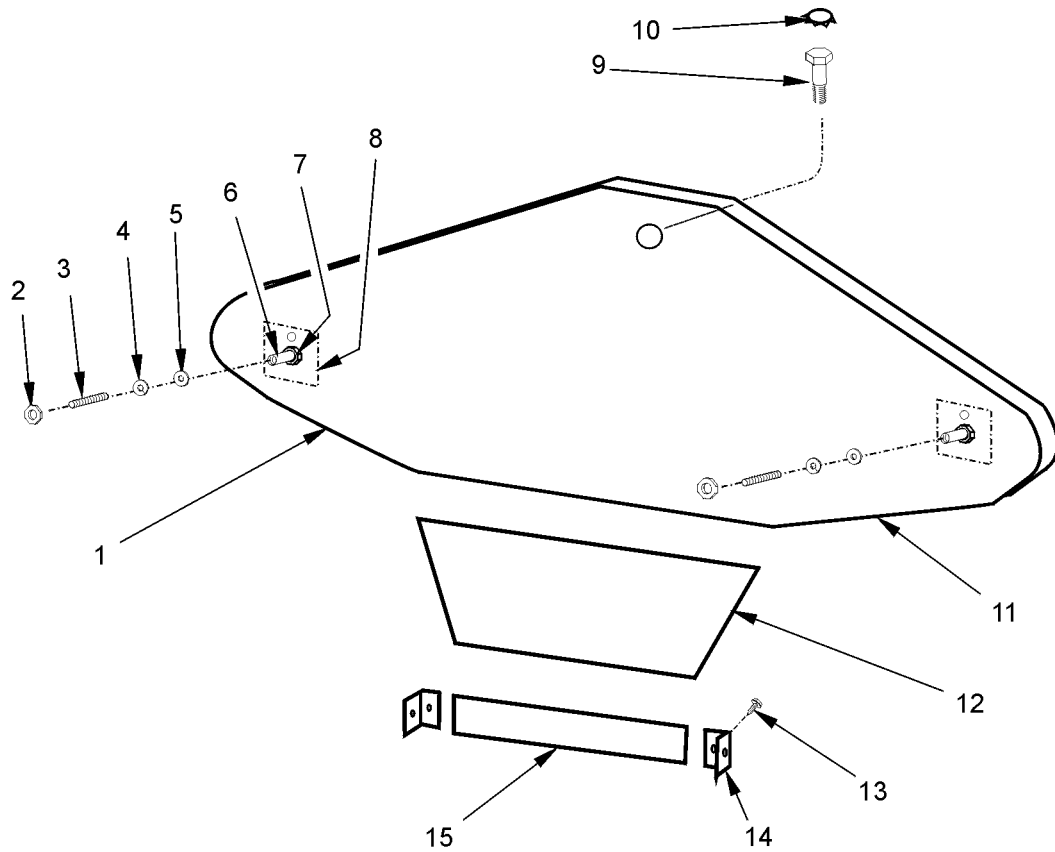


End Merchandiser

Item	Part No.	Qty.	Description	Item	Part No.	Qty.	Description
1	5215355	1	CTR End Tray	8	5227489	1	Riser End Trim
2	5183536	6	Screw	9	5104702	4	Rivet (2 per molding)
3	5217196	1	LH End Tray	10	5236884	2	Card Molding
4	5225828	1	Heater Wire, 240 ohm/ft	11	5228161	1	Riser End Cap
*	5225409	1	Air Discharge Grid Assy.	12	5104702	10	Rivet
5	5225416	1	Discharge Grid, Honeycomb	13	5217195	1	RH End Tray
	5225410	1	Bottom Close-off	14	5240723	1	End Discharge Duct Support
	5225418	1	Top Close-off	15	5123703	2	Screw
	5225417	1	Air Discharge Grid, Ptd.	16	5240490	1	End Discharge Duct
	5104702	12	Rivet	17	5231062	1	Plug Button, 2 1/2"
6	5214669	A/R	Silaprene Adhesive	18	5105873	1	Plug Button, 1 1/8"
7	5104702	2	Rivet	19	5104702	6	Rivet



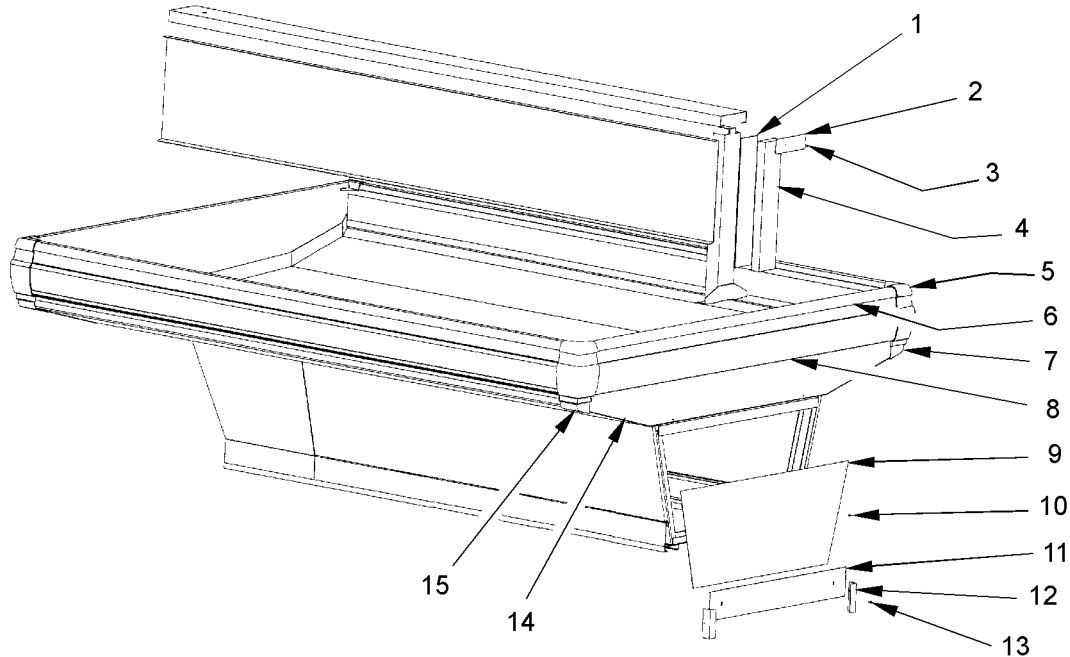
STRUCTURAL COMPONENTS - (CONT'D)
 OPTIONAL PATCH ENDS AND WRAP END
 Solid Patch Ends, 45" & 54" - NPW/NPWD



Item	Part No.	Qty.	Description	Item	Part No.	Qty.	Description
*	9021577	1	RH/LH Solid End Assy., Ptd. w/Ptd Liner - 45"	11	9027846	1	Solid End Panel, Ptd. - 45"
*	9021580	1	RH/LH Solid End Assy., Ptd. w/Ptd. Liner - 54"		9030219	1	Solid End Panel, Ptd. - 54"
1	9024516	1	Bench Assy. - 45"		9027844	1	Solid End Liner, Ptd. - 45"
	9024517	1	Bench Assy. - 54"		9030217	1	Solid End Liner, Ptd. - 54"
2	5100976	2	Washer	12	5948064	1	UPR Base End Close-off, Ptd.
3	9022759	2	Stud	13	5048626	4	Screw (2 per trim)
4	5101003	2	Lockwasher	14	5218220	2	Base End Corner Trim, Ptd.
5	5100976	2	Washer	15	5217200	1	LWR Base End Close-off, Ptd.
6	9022756	2	Threaded Insert				
7	5100625	2	Nut				
8	9022760	2	Tapping Plate				
9	5101248	1	Screw				
10	5105873	1	Plug Button 1 1/8"				



STRUCTURAL COMPONENTS - (CONT'D)
 OPTIONAL PATCH ENDS AND WRAP END
 Wrap End - NPW/NPWD



Item	Part No.	Qty.	Description	Item	Part No.	Qty.	Description
*	9021579	1	RH/LH Wrap End Assy.	10	5183536	4	Screw
1	5186737	18"	Gasket Tape	11	5217200	1	Base End Close-off
2	5227489	1	Trim Riser End	12	5218220	2	Base Corner Trim
3	5048626	4	Screw	13	5183536	6	Screw (3 per trim)
4	5957793	1	Discharge Duct Close-off	14	9025440	1	End Cladding, Ptd.
5	+	2	Upper Corner Trim		5205439	2	Screw
6	+	1	Bumper Retainer / Hand Rail		5109019	2	Screw
	9023794	1	Color Band, Ptd.		5100634	2	Nut
7	9026197	1	LWR RH Corner Trim Assy.		5101248	2	Screw
8	+	1	Bumper		5215354	1	Foam End Assy.
9	5948064	1	Base End Close-off	15	9026198	1	LWR LH Corner Trim Assy.

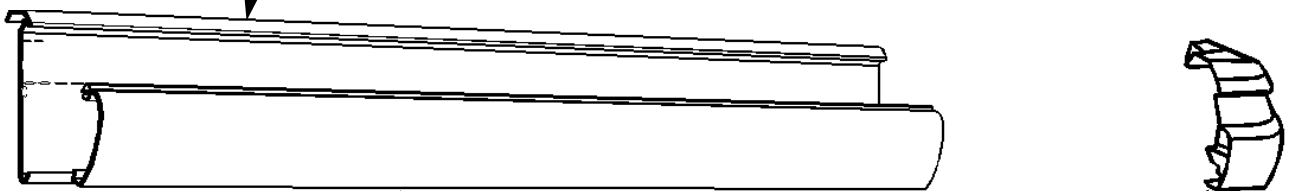
+ See next page for parts breakdown per color.



STRUCTURAL COMPONENTS - (CONT'D)
OPTIONAL PATCH ENDS AND WRAP END
Wrap End - NPW/NPWD

Bumper Retainer [Item 6]
(67.250")

Part No.	Color
9025486	White
9025499	Bone White
9025512	Misty Gray
9025525	Pearl
9025538	Oatmeal
9025551	Soft Sand
9025565	Chromium
9025578	Cool Gray
9025591	Oyster
9025604	Black
9025415	Pearly Gates
9028928	Steel Gray
9031785	Chocolate
9031812	Mocha
9031866	Stone



Bumper [Item 8]
(67.250")

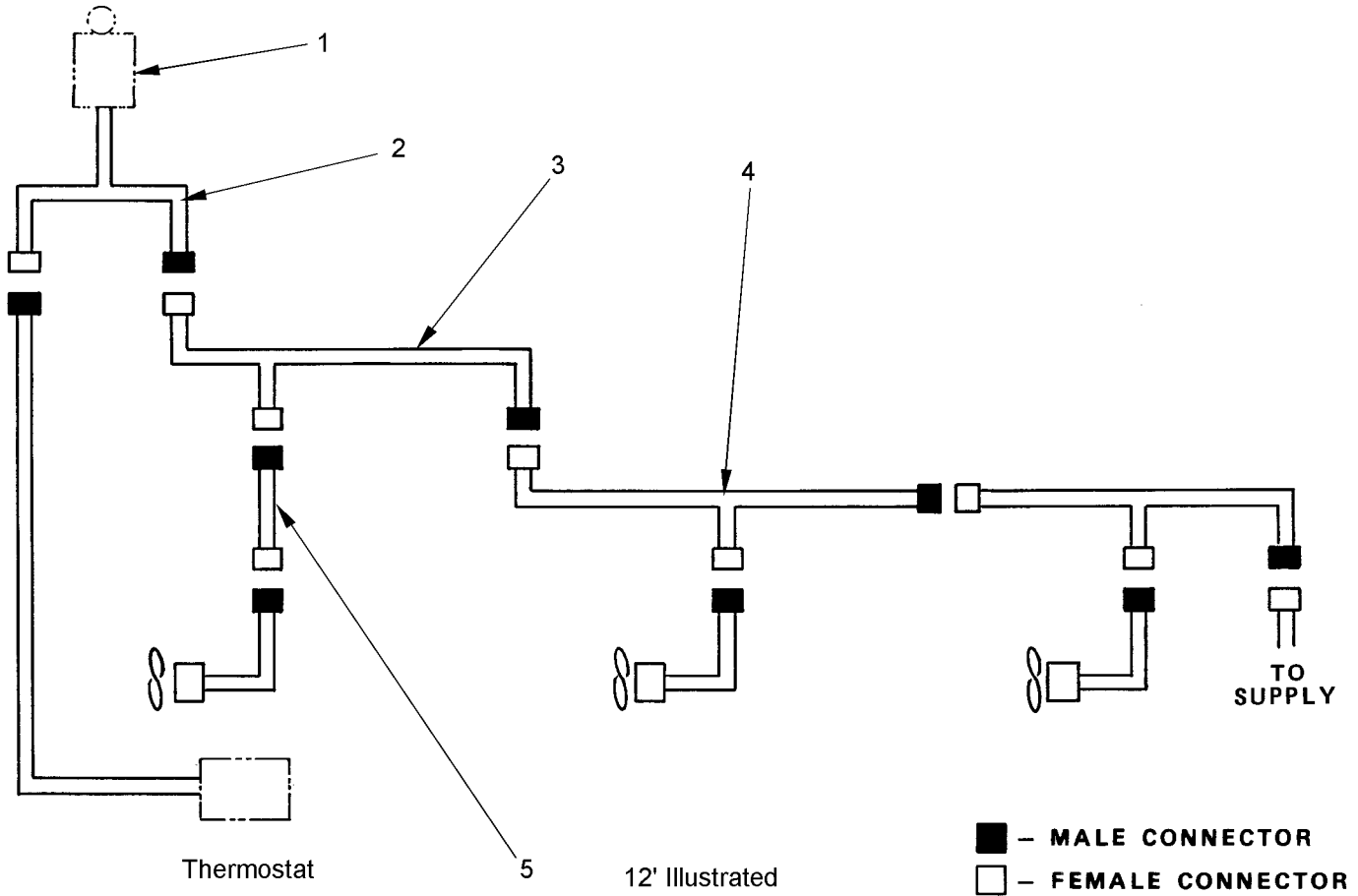
Part No.	Color
9025029	White
9025259	Bone White
9025280	Misty Gray
9025301	Pearl
9025322	Oatmeal
9025343	Soft Sand
9025364	Chromium
9025385	Cool Gray
9025406	Oyster
9025427	Black
9026500	Pearly Gates
9028896	Steel Gray
9031677	Chocolate
9031714	Mocha
9031751	Stone

Upper Bumper Corner Trim [Item 5]

Part No.	Color
9025465	White
9026186	Bone White
9026187	Misty Gray
9026188	Pearl
9026189	Oatmeal
9026190	Soft Sand
9026191	Chromium
9026192	Cool Gray
9026193	Oyster
9026194	Black
9026445	Pearly Gates
9028881	Steel Gray
9031888	Chocolate
9031889	Mocha
9031890	Stone



ELECTRICAL SYSTEM COMPONENTS
WIRING HARNESSES - NPW/NPWE/NPWE
 Wiring and Components

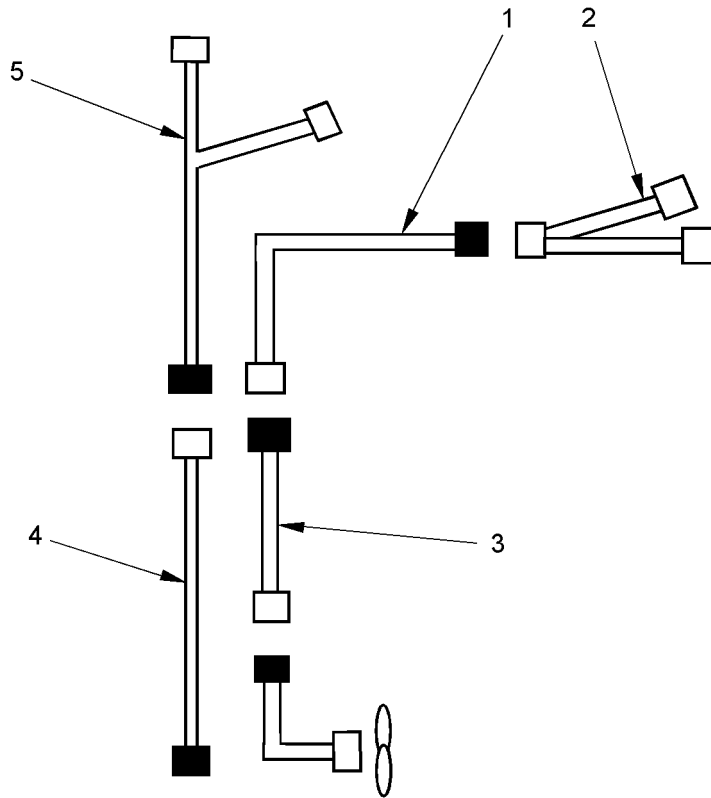


8' and 12' Merchandiser

Item	Part No.	Quantity		Description
		8'	12'	
1	5942194	1	1	Opt. Solenoid Valve, 3/8" OD
	5200225	1	1	Opt. Solenoid Valve, 1/2" OD
	5191445	1	1	Opt. Solenoid Valve, 5/8" OD
	5191446	1	1	Opt Solenoid Valve, 7/8" OD
2	5210359	1	1	Solenoid Harness
3	5948180	1	1	Solenoid Harness, 18"
4	5199414	1	2	Fan Harness, 112" (NPW/NPWE)
	5199414	-	3	Fan Harness, 112" (NPWEE)
5	5199457	1	2	Fan Harness, 48" (NPW/NPWE)
	5199457	-	3	Fan Harness, 48" (NPWEE)
	5200245	1	2	Adapter Harness, 3 1/2" (NPW/NPWE)
	5200245	-	3	Adapter Harness 3 1/2" (NPWEE)



ELECTRICAL SYSTEM COMPONENTS - (CONT'D)
 WIRING HARNESSSES - NPE
 Wiring and Components



■ - MALE CONNECTOR

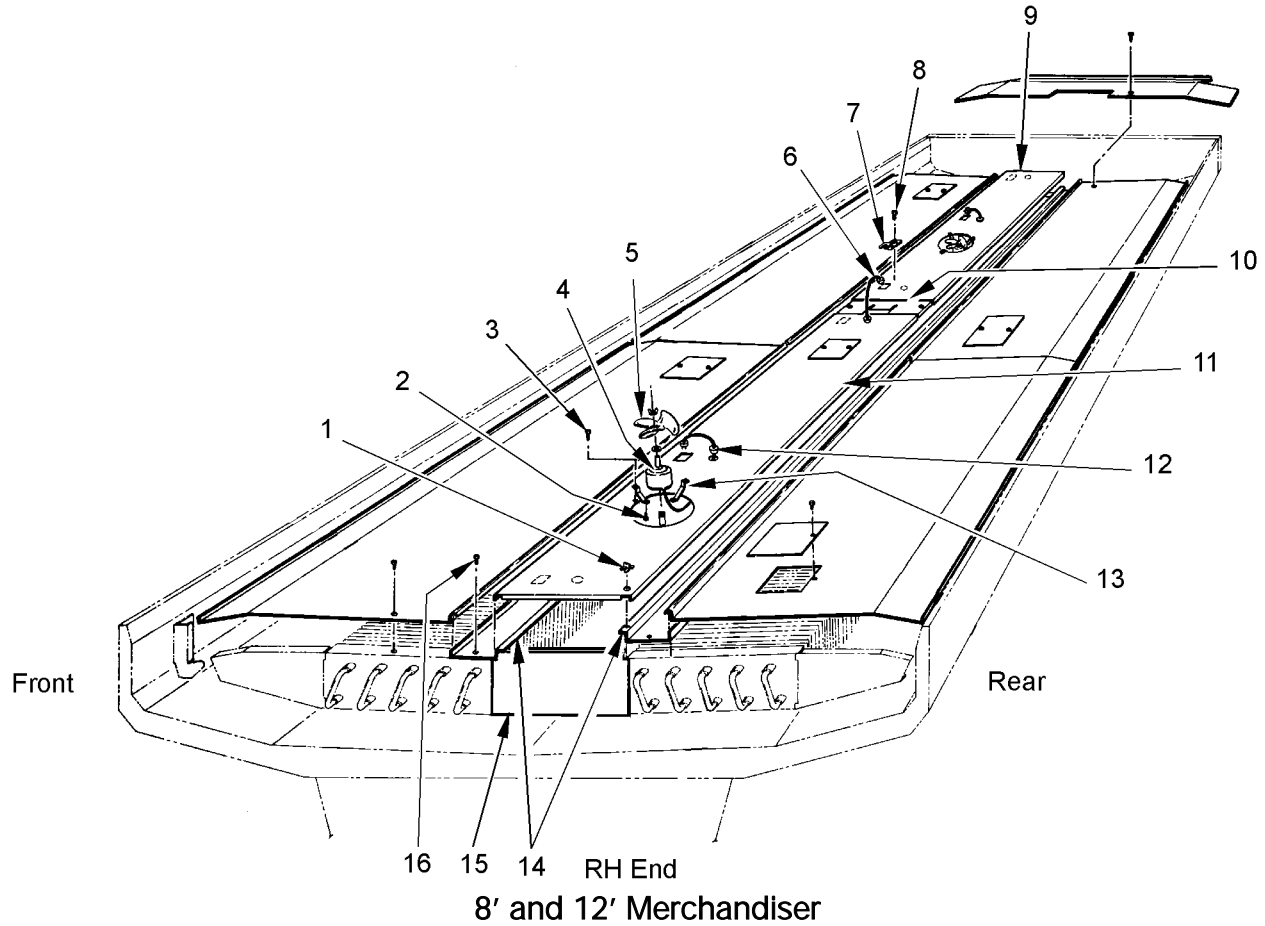
□ - FEMALE CONNECTOR

End Merchandiser

Item	Part No.	Qty.	Description
1	5199457	1	Fan Harness, 48"
2	5199447	1	"Y" Harness, 6"
3	5200245	1	Adapter Harness, 3 1/2"
4	5123837	1	Anti-Sweat Harness, 36"
5	5124209	1	Anti-Sweat Harness, 8" (to discharge grid heater)



ELECTRICAL SYSTEM COMPONENTS - (CONT'D)
 FAN SYSTEMS - NPW/NPWE/NPWE

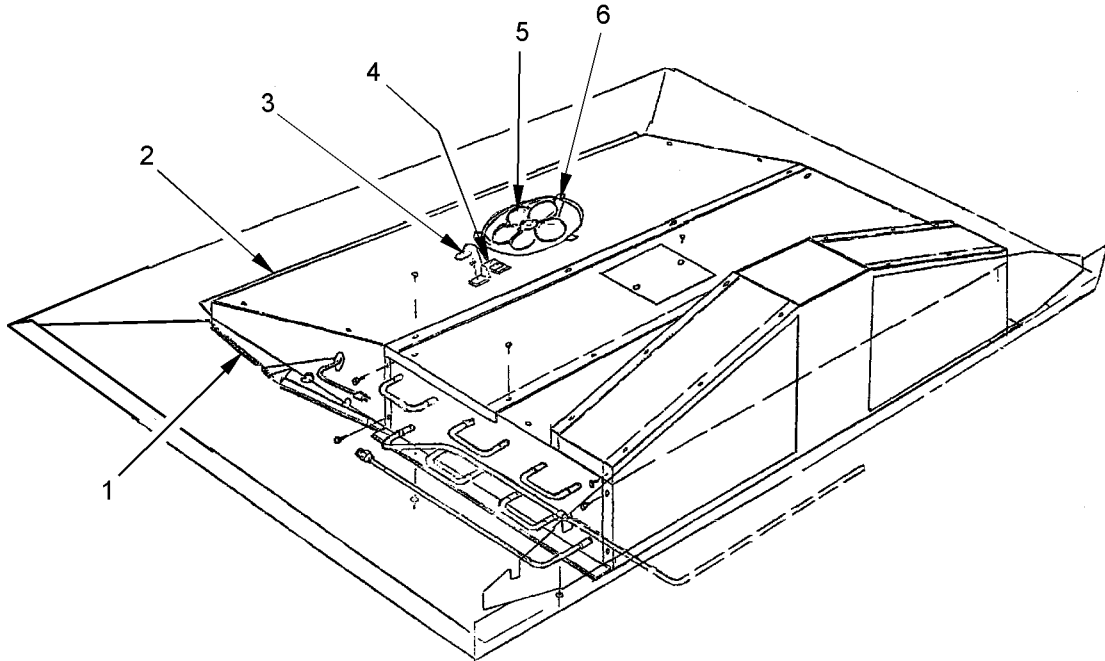


Item	Part No.	Quantity		Description	Item	Part No.	Quantity		Description
		8'	12'				8'	12'	
1	5185321	8	12	Fastener	10	5218717	1	-	Fan Panel Close-off (NPW)
2	5196188	6	9	Screw		5218716	1	-	Fan Panel Close-off (NPWE)
3	5183536	6	9	Screw		5218716	-	2	Fan Panel Close-off (NPWEE)
*	5197588	2	3	Fan Motor Bench Assy.		5183536	4	4	Screw (NPW/NPWE)
*	9025009	2	3	Opt. ECM Fan Motor Bench Assy.		5183536	8	8	Screw (NPWEE)
4	5125532	2	3	Fan Motor	11	5215264	1	-	Fan Panel, 49 3/4" (NPW/NPWE)
	9025002	2	3	ECM Fan Motor, 8W		5216228	-	1	Fan Panel, 40" (NPW)
5	5126000	2	3	Fan Blade		5218715	-	1	Fan Panel, 28" (NPWE)
	5126000	2	3	ECM Fan Blade, 7 3/4"		5218715	-	2	Fan Panel, 28" (NPWEE)
6	5199414	1	2	Harness, 112" (NPW/NPWE)	12	5122007	3	4	Strain Relief (NPW/NPWE)
	5199414	-	3	Harness, 112" (NPWEE)		5122007	-	4	Strain Relief (NPWEE)
	5199457	1	2	Harness, 48" (NPW/NPWE)	13	5197471	9	12	Fan Motor Bracket
	5199457	-	3	Harness, 48" (NPWEE)		5215260	2	-	Cover
7	5206177	3	5	Fan Clip		5215261	-	2	Cover
8	5183536	3	5	Screw	14	5216581	1	1	RH End Fan Panel Close-off
9	5218715	1	-	Fan Panel, 28" (NPW/NPWE)		5216582	1	1	LH End Fan Panel Close-off
	5216228	-	1	Fan Panel, 40" (NPW/NPWE)	16	5183536	4	4	Screw (2 per cover)
	5216228	-	2	Fan Panel, 40" (NPWEE)					
	5215263	-	1	Fan Panel, 57 3/4" (NPWE)					
	5215266	-	1	Fan Panel, 67 1/2" (NPWEE)					



ELECTRICAL SYSTEM COMPONENTS - (CONT'D)

FAN SYSTEMS - NPE

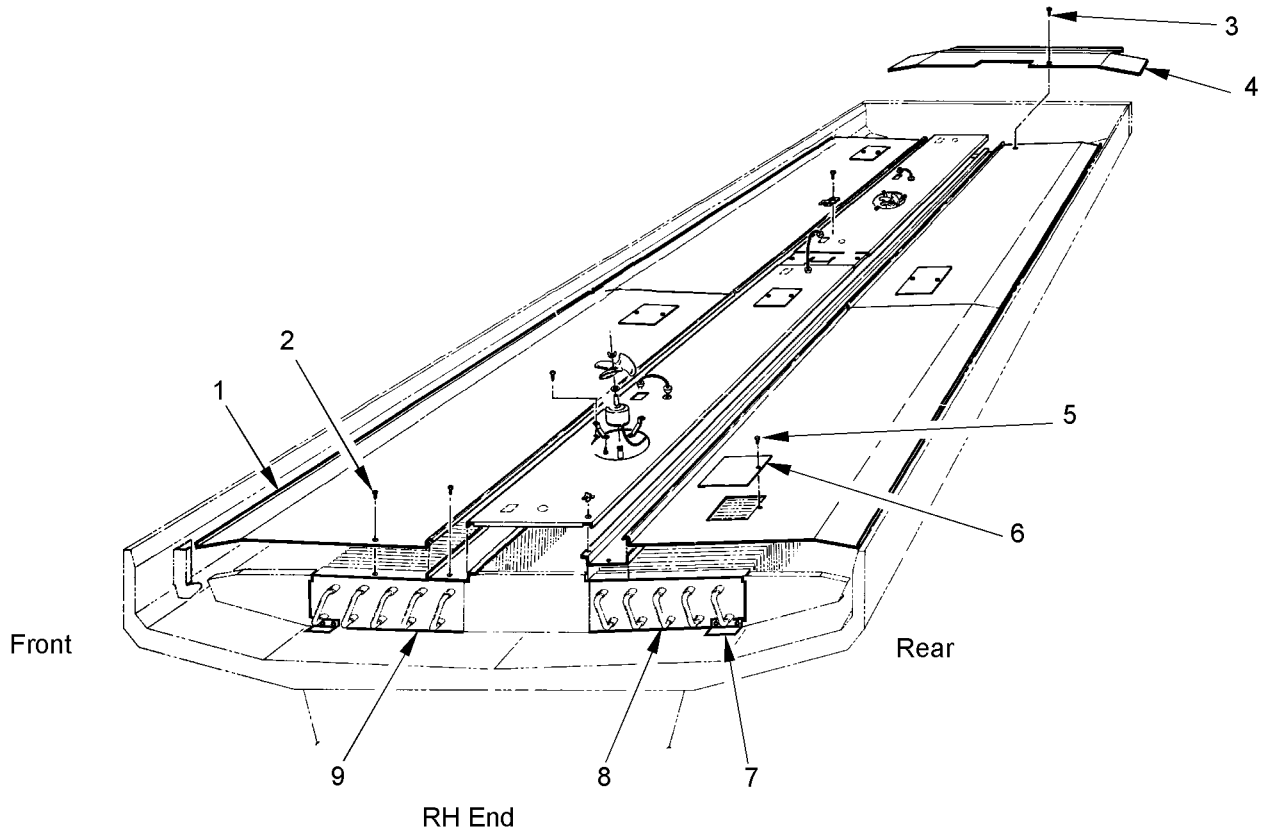


End Merchandiser

Item	Part No.	Qty.	Description
1	5225392	1	RH End Close-off
	5225393	1	LH End Close-off
2	5225394	1	Fan Panel
3	5206177	1	Fan Harness Clip
4	5123674	1	Strain Relief
5	5223839	1	Fan Motor Assy.
	5125532	1	Fan Motor, 5W
	5215879	1	Opt ES Fan Motor, 12W
	5223891	1	Fan Blade
6	5962269	3	Fan Bracket
	5196188	3	Screw (lower bracket)
	5183536	3	Screw (upper bracket)



REFRIGERATION SYSTEM COMPONENTS
COIL ASSEMBLIES - NPW/NPWE/NPWE

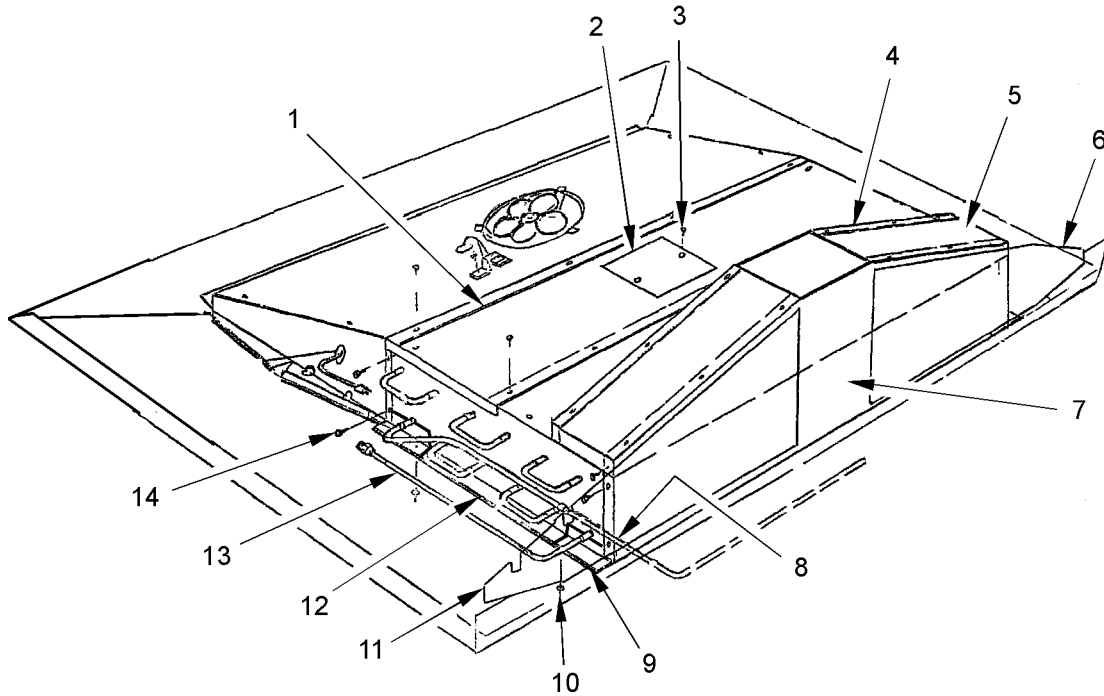


8' and 12' Merchandiser

Item	Part No.	Quantity		Description	Item	Part No.	Quantity		Description
		8'	12'				8'	12'	
1	5215262	4	-	Coil Cover (NPW/NPWE)	6	5186435	4	4	Inspection Cover
	5215265	-	4	Coil Cover (NPWEE)		7	5215959	8	8
2	5183536	16	16	Screw (4 per cover)	8		5183536	16	16
		3	5216576	1		1	Coil End Close-off (NPWE)	9	5216249
	5216576	-	2	Coil End Close-off (NPWEE)		5216250	-		1
4	5183536	6	6	Screw (NPWE)		5216251	1	-	Front Coil Assy.
	5183536	-	12	Screw (NPWEE)		5216252	-	1	Front Coil Assy.
5	5183536	8	8	Screw (2 per cover)		5608488	1	1	Suction Line Assy.
						5608810	1	1	Liquid Line Assy.



REFRIGERATION SYSTEM COMPONENTS - (CONT'D)
 COIL ASSEMBLIES - NPE

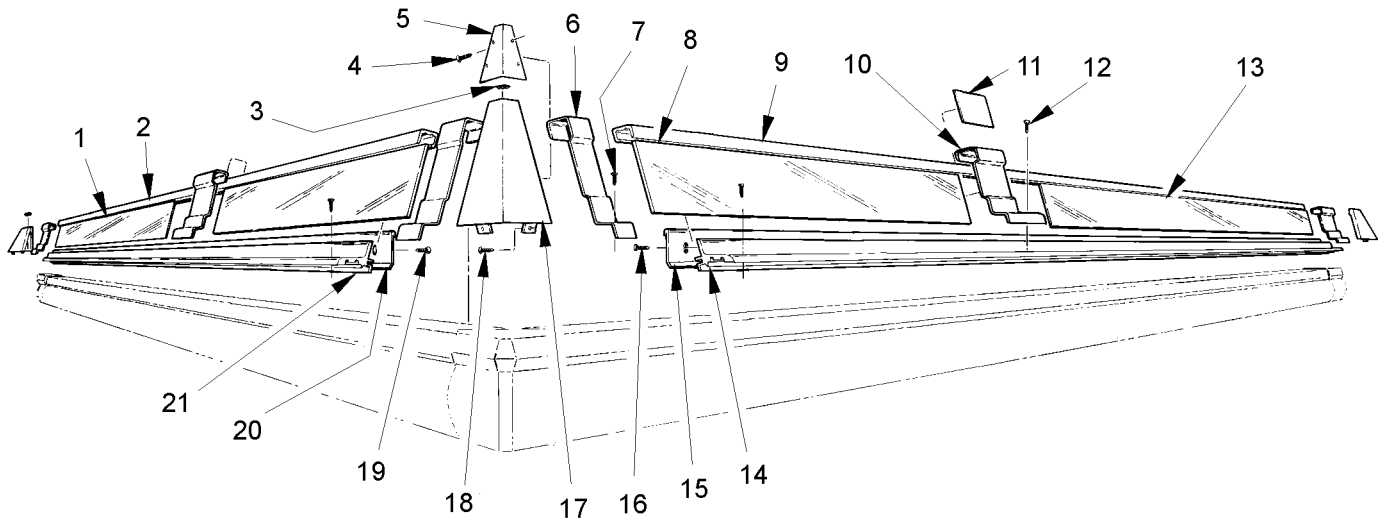


End Merchandiser

Item	Part No.	Qty.	Description	Item	Part No.	Qty.	Description
1	5227159	1	Top Front Coil Close-off	8	5225501	1	Suction Line
2	5186435	1	Inspection Cover	9	5215959	4	Coil End Plate Extension
3	5183536	2	Screw		5183536	8	Screw (2 per extension)
4	5240647	1	Front Plenum Close-off	10	5104702	6	Rivet
5	5240648	2	Plenum Close-off	11	5244749	1	Divider
6	5240742	1	Divider	12	5225386	1	Bottom Coil Close-off
7	5240646	1	Rear Coil Close-off	13	5225502	1	Liquid Line Assy.
*	5240629	1	Coil & Fittings Assy.	14	5183536	33	Screw



OPTIONAL CASE ACCESSORIES
 OPTIONAL ADD-ON FRONT GLASS - NPWE/NPWEE

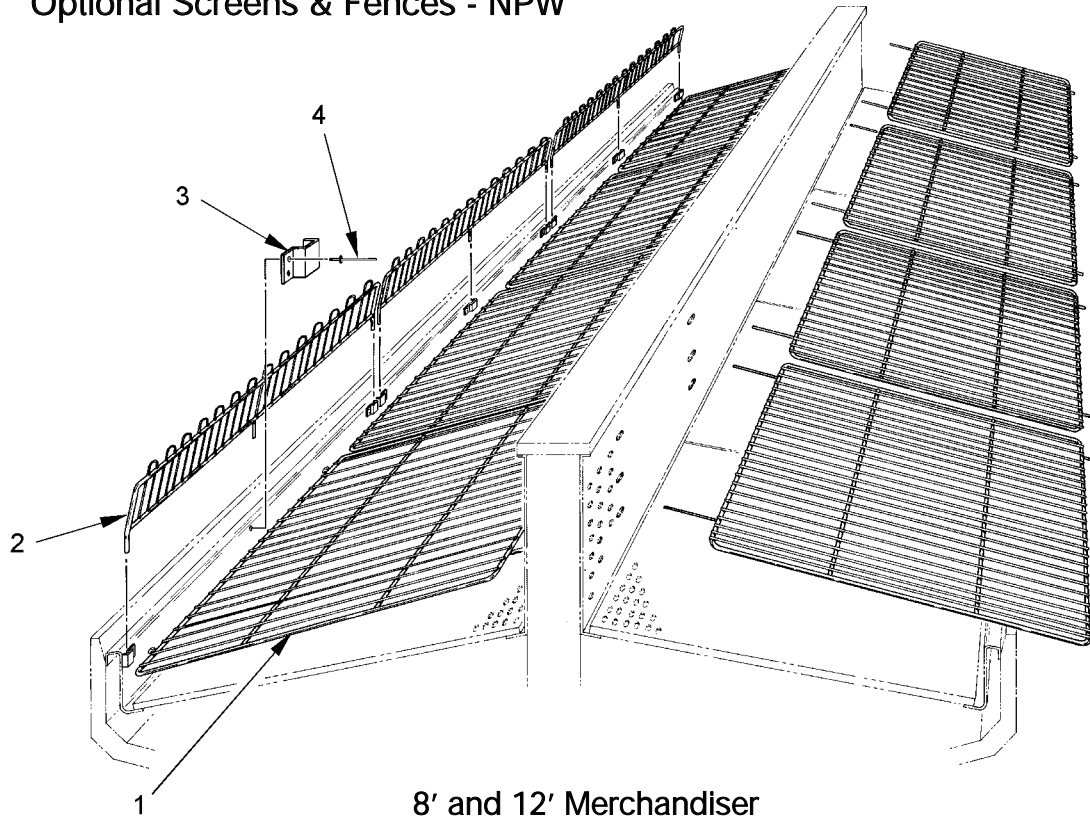


8' and 12' Merchandiser

Item	Part No.	Quantity		Description	Item	Part No.	Quantity		Description
		8'	12'				8'	12'	
1	5217097	2	2	End Glass, 31 3/4" (NPWE)	13	5161059	2	4	Front Glass, 47 3/4" (NPWE)
	5217097	-	4	End Glass, 31 3/4" (NPWEE)		5161059	-	2	Front Glass, 47 3/4" (NPWEE)
2	9023001	1	1	End Top Glass Trim (NPWE)	14	9022995	2	-	Front Glass Extrusion (NPWE)
	9023001	-	2	End Top Glass Trim (NPWEE)		9022994	-	2	Front Glass Extrusion (NPWE)
3	5627813	2	2	Plug Button, 3/4" (NPWE)		9023007	-	2	FR Glass Extrusion (NPWEE)
	5627813	-	4	Plug Button, 3/4" (NPWEE)		5208285	A/R	A/R	Sealant Tape
4	5183536	12	12	Rivet (NPWE)	15	9023016	2	-	Front Glass Retainer (NPWE)
	5183536	-	16	Rivet (NPWEE)		9023003	-	2	Front Glass Retainer (NPWE)
5	9022984	2	2	Inside Corner Trim (NPWE)		9023007	-	2	Front Glass Retainer (NPWEE)
	9022984	-	4	Inside Corner Trim (NPWEE)					
6	9022991	4	4	End Trim (NPWE)	16	5208265	30	30	Screw (15 per side)
	9022991	-	8	End Trim (NPWEE)	17	9022985	2	2	Corner Trim Assy. (NPWE)
7	5612692	4	4	Screw (NPWE)		9022985	-	4	Corner Trim Assy. (NPWEE)
	5612692	-	8	Screw (NPWEE)	18	5612692	4	4	Screw (2 per trim) (NPWE)
8	5217096	2	2	Front Glass, 45 7/8" (NPWE)		5612692	-	8	Screw (2 per trim) (NPWEE)
	5217096	-	4	Front Glass, 45 7/8" (NPWEE)	19	5208265	7	7	Screw (end rtnr.) (NPWE)
9	9022999	2	-	Front Top Glass Trim (NPWE)		5208265	-	14	Screw (7 per end rtnr.) (NPWEE)
	9026562	-	2	Front Top Glass Trim (NPWE)	20	9023006	1	1	End Glass Extrusion (NPWE)
	9023002	-	2	Front Top Glass Trim (NPWEE)		9023006	-	2	End Glass Extrusion (NPWEE)
10	9022989	4	6	Inside Joint Trim					
11	9022990	4	6	Outside Joint Trim	21	9022992	1	1	End Glass Retainer (NPWE)
12	5612692	4	6	Screw		9022992	-	2	End Glass Retainer (NPWEE)



OPTIONAL CASE ACCESSORIES - (CONT'D)
 SCREENS, FENCES, DIVIDERS, TRAYS AND COVERS
 Optional Screens & Fences - NPW



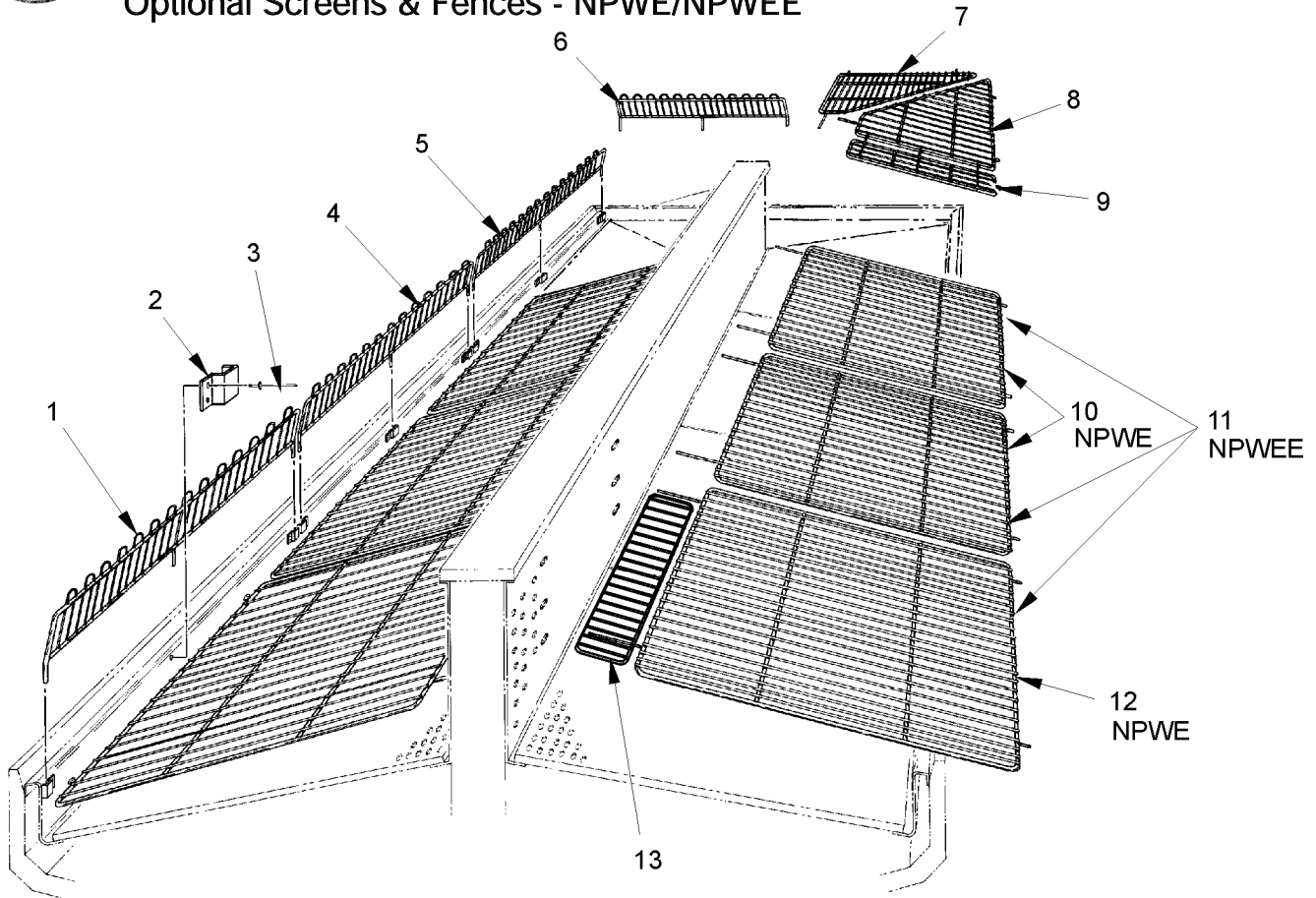
8' and 12' Merchandiser

WHITE POWDER COAT

Item	Part No.	Quantity		Description
		8'	12'	
1	5606170	8	12	Adjustable Screen, WPC 23 5/8" x 30 1/8"
	5103675	8	12	Screen Extension-24"
2	5948881	6	8	Front & Rear Fence, WPC 6" x 32"
	5948883	-	8	Front & Rear Fence, WPC 6" x 36"
3	5220774	4	4	Fence Joint Retainer
	5218725	10	16	Fence Retainer, End & CTR
4	5105037	28	40	Rivet (2 per retainer)



OPTIONAL CASE ACCESSORIES - (CONT'D)
 SCREENS, FENCES, DIVIDERS, TRAYS AND COVERS
 Optional Screens & Fences - NPWE/NPWEE

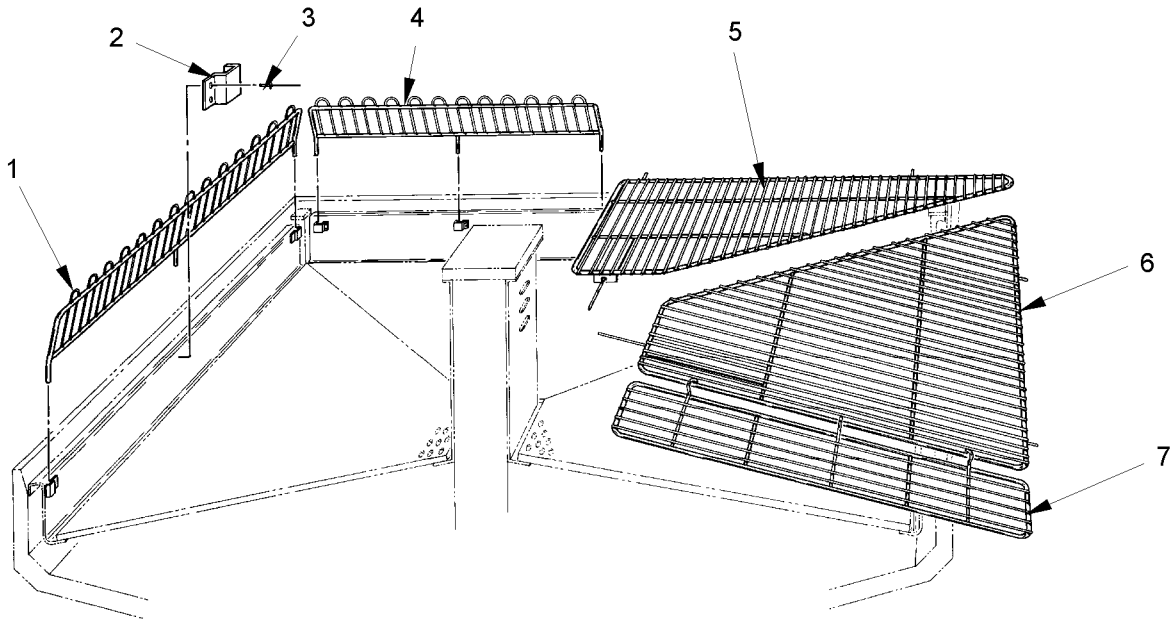


8' and 12' Merchandiser

Item	Part No.	Quantity		Description	Item	Part No.	Quantity		Description
		8'	12'				8'	12'	
1	5948880	4	-	Fence, WPC (NPWE) 6" x 30"	5948881	-	4	Fence, WPC (NPWEE) 6" x 32"	
	5948883	-	6	Fence, WPC (NPWE) 6" x 36"	7	5215099	2	LH End Screen, WPC (NPWE)	
	5948882	-	4	Fence, WPC (NPWEE) 6" x 33"	5215009	-	4	LH End Screen, WPC (NPWEE)	
2	5220774	3	5	Fence Joint Retainer (NPWE)	8	5215098	2	RH End Screen, WPC (NPWE)	
	5220774	-	4	Fence Joint Retainer (NPWEE)	5215098	-	4	RH End Screen, WPC (NPWEE)	
	5218725	14	20	Fence Retainer, End & CTR (NPWE)	5215098	-	4	RH End Screen, WPC (NPWEE)	
	5218725	-	28	Fence Retainer, End & CTR (NPWEE)	9	5216692	2	Screen Extension, WPC (NPWE)	
3	5105037	40	60	Rivet (NPWEE)	5216692	-	4	Screen Extension, WPC (NPWEE)	
	5105037	-	72	Rivet	10	5606170	4	Adj. Screen, WPC (NPWE)	
4	5948880	4	-	Fence, WPC (NPWE) 6" x 30"	11	5606170	-	6	Adj Screen, WPC (NPWEE)
	5948882	2	2	Fence, WPC (NPWE) 6" x 33"	12	5948063	2	Adj. Screen, WPC (NPWE)	
	5948882	-	4	Fence, WPC (NPWEE) 6" x 33"	13	5103675	4	SCRN Extension-24" (NPWE)	
5	5948883	-	6	Fence, WPC (NPWE) 6" x 36"	5226299	2	2	SCRN Extension-12" (NPWE)	
	5948883	-	4	Fence, WPC (NPWEE) 6" x 36"	5103675	-	6	SCRN Extension-23 5/8" (LPWEE)	
6	5948881	2	2	Fence, WPC (NPWE) 6" x 32"					



OPTIONAL CASE ACCESSORIES - (CONT'D)
 SCREENS, FENCES, DIVIDERS, TRAYS AND COVERS
 Optional Screens & Fences - NPE

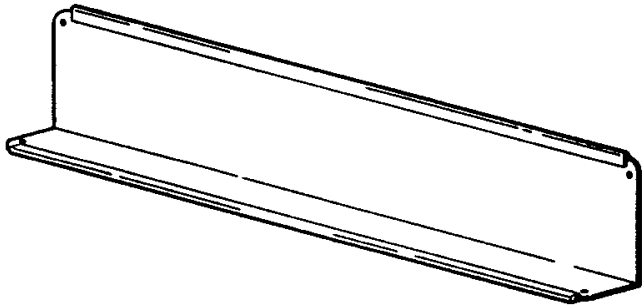


End Merchandiser

Item	Part No.	Qty.	Description
1	5948882	2	L & R Fence, WPC - 6" x 33"
2	5218725	10	Fence Holder
	5220774	2	Fence Joint Retainer
3	5104702	24	Rivet (2 per retainer)
4	5948881	2	End Fence, WPC - 6" x 32"
5	5215099	2	LH End Screen, WPC
6	5215098	2	RH End Screen, WPC
7	5216692	2	Screen Extension, WPC 3 3/8" x 30 1/2"

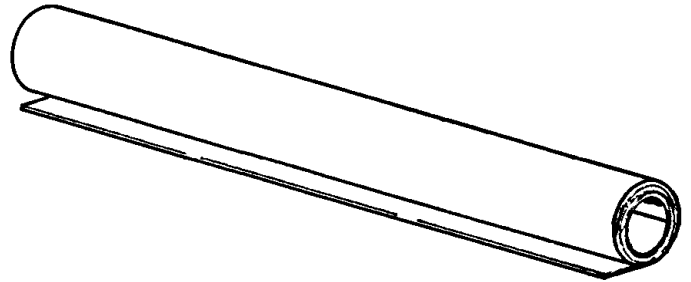


OPTIONAL CASE ACCESSORIES - (CONT'D)
 SCREENS, FENCES, DIVIDERS, TRAYS AND COVERS



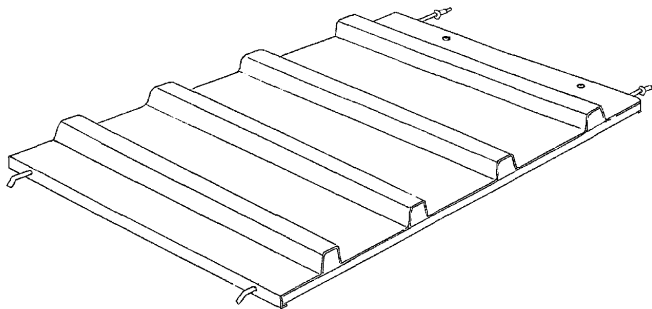
Optional "L" Divider

Item	Part No.	Qty.	Description
-	5948507	1	"L" Divider, GRN



Optional Nite Cover

Item	Part No.	Quantity		Description
		8'	12'	
-	5626958	1	-	Burlap Nite Cover, GRN
-	5623959	-	1	Burlap Nite Cover, GRN

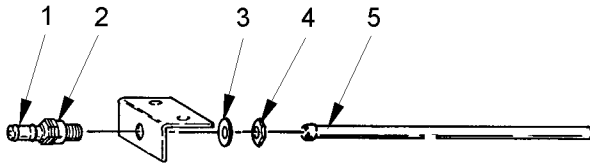


Optional Ribbed Ice Tray

Item	Part No.	Qty.	Description
-	5033086	1	Ribbed Ice Tray Weld Assy.

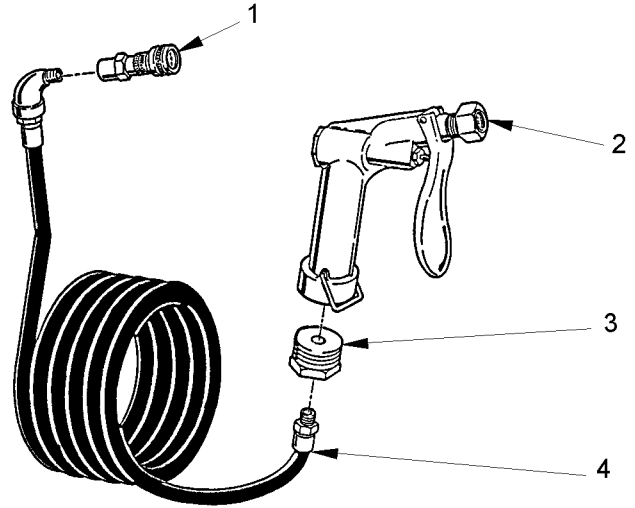


OPTIONAL CASE ACCESSORIES - (CONT'D) WATER STATION COMPONENTS



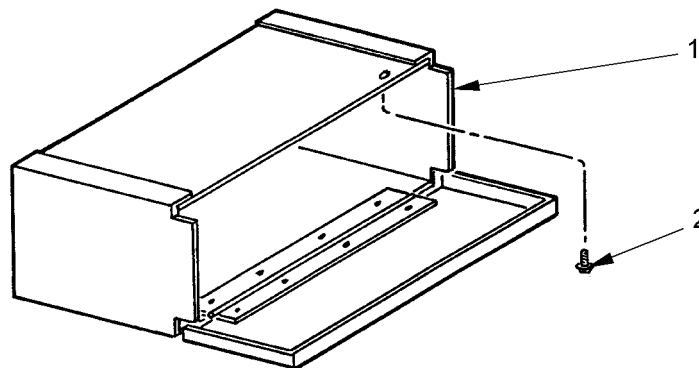
Optional Quick Connect Water Station

Item	Part No.	Qty.	Description
*	5221302	1	Quick Connect Water Station Assy. (NPW/NPWE)
*	5221303	1	Quick Connect Water Station Assy. (NPWEE)
1	5052307	1	Quick Coupler Nipple
2	5221304	1	Female Union, 3/8"
3	5057183	1	Brass Washer
4	5061934	1	Locknut, 3/8" Pipe Thread
5	5221305	1	Supply Line, 3/8" (NPW/NPWE)
	5221306	1	Supply Line, 3/8" (NPWEE)



Optional Spray Hose & Nozzle

Item	Part No.	Qty.	Description
*	5052302	1	12' Spray Hose Assy.
*	5953159	1	18' Spray Hose Assy.
*	5208314	1	24' Spray Hose Assy.
1	5195921	1	Female Socket
2	5625354	1	Spray Nozzle
3	-----	1	Male Nut (furn. w/ hose)
4	5195920	1	12' Hose
	5953158	1	18' Hose
	5208315	1	24' Hose

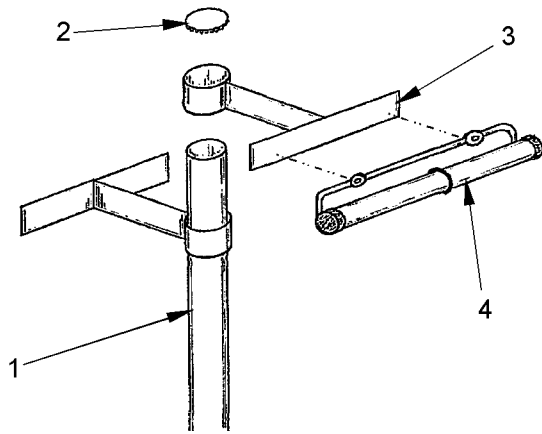


Optional Hose Storage

Item	Part No.	Qty.	Description
1	5216425	1	Front Hose Storage Weld Assy.
	5216426	1	Rear Hose Storage Weld Assy.
2	5183536	6	Screw

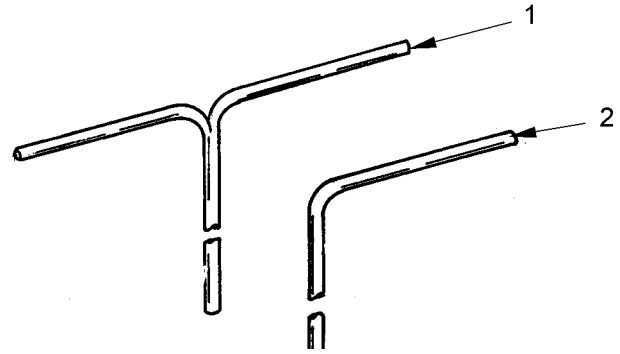


OPTIONAL CASE ACCESSORIES - (CONT'D) BAG AND MISCELLANEOUS HOLDERS



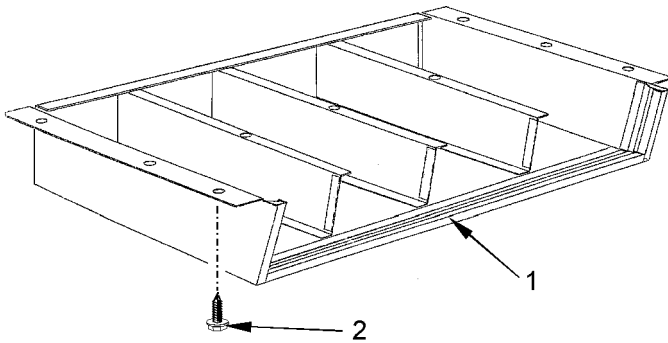
Optional Double Bag Holder

Item	Part No.	Qty.	Description
*	5952785	1	Double Bag Holder Assy.
1	5951367	1	Bag Holder Pole
2	5105873	1	Pole Button
3	5952783	2	Pole Mount Bracket
4	5952784	2	Bag Holder



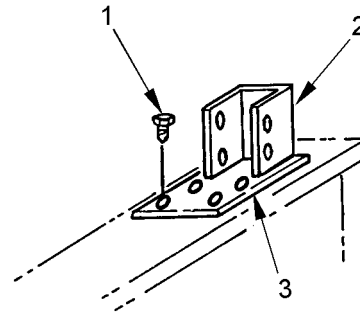
Optional Scale Poles

Item	Part No.	Qty.	Description
1	5951611	1	Double Scale Pole, CRPL (30" span per side)
	5197884	1	Double Scale Pole, CRPL (16" span per side)
2	5197883	1	Single Scale Pole, CRPL (16" span)



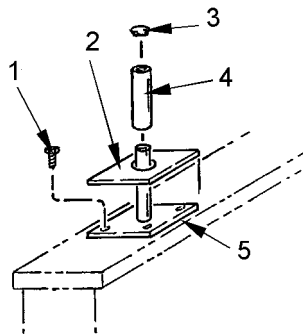
Optional Bag Rack

Item	Part No.	Qty.	Description
*	5948343	1	Bag Rack Assy.
1	5948339	1	Bag Rack Weld Assy.
2	5183536	9	Screw



Optional Wine Rack Support

Item	Part No.	Qty.	Description
*	5946872	1	Wine Rack Support Assy.
1	1309067	2	Screw
2	5946873	1	"U" Channel Support
3	5946871	1	Support Plate

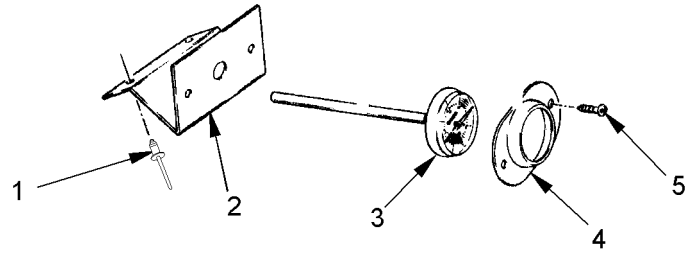
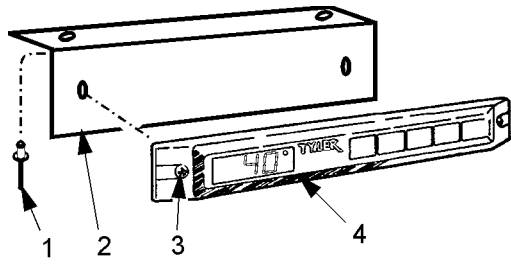


Optional Wire Hanger Support

Item	Part No.	Qty.	Description
*	5945419	1	Wire Hanger Support Assy.
1	5145037	8	Screw
2	5945421	1	Stainless Cover
3	5105873	1	Plug Button
4	5945423	1	Hanger Support
5	5945422	1	Wire Pole Securing Assy.
	5944480	1	Rod, 1 1/16" x 8" - CRS
	5945420	1	Plate



OPTIONAL CASE ACCESSORIES - (CONT'D) THERMOMETERS

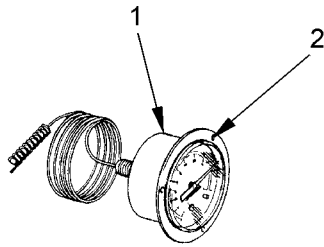


Digital Solar Thermometer

Item	Part No.	Qty.	Description
*	5990109	1	Digital Thermometer Assy., F°
*	5992540	1	Digital Thermometer Assy., C°
1	5104702	2	Rivet
2	5239502	1	Hanger
3	5230884	2	Screw
4	5239500	1	Digital Thermometer, F°
	5239501	1	Digital Thermometer, C°

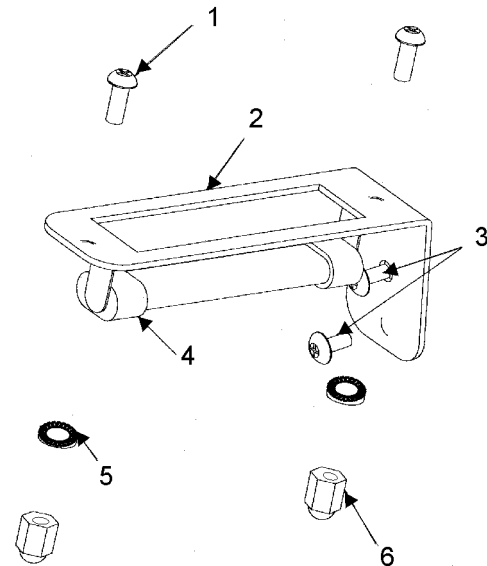
1" Dial Thermometer, Discharge Air

Item	Part No.	Qty.	Description
*	5216436	1	Thermometer Assy., Disc. Air
1	5104702	2	Rivet
2	5207843	1	Thermometer Support
3	5203829	1	1" Dial Thermometer
4	----	1	Mounting Ring (furnished with thermometer)
5	5219883	2	Screw



2" Dial Thermometer, Discharge. Air

Item	Part No.	Qty.	Description
*	9601203	1	Thermometer Assy., Disc. Air
1	5199134	3	Screw
2	5204004	1	2" Dial Thermometer
	----	1	Mounting Ring (furnished with thermometer)



Standard Thermometer - Pencil

Item	Part No.	Qty.	Description
*	9037470	1	Thermometer Assy. Kit
1	5208265	2	Screw
2	9037408	1	Thermometer Bracket
3	5102643	2	Screw
4	5967100	1	Pencil Thermometer
5	5103997	2	Washer-SHKPRF
6	5223244	2	Acorn Nut