

SPECIFICATION SHEET

TLD BLOWER & TLM / TLF GRAVITY LIFT-FRONT STRAIGHT GLASS SERVICE MERCHANDISERS

Refrigeration Data:

MODEL	CASE LENGTH	CASE USAGE	CAPACITY (BTUH / FT)		AVG. EVAP. (°F)	UNIT SIZING (°F)	DISCHARGE AIR		AVG. REF. CHARGE (LBS/FT)
			PARALLEL	CONVENTIONAL			AVG. TEMP. (°F)	VELOCITY (FPM)	
TLD	ALL	Deli	410*	615*	17**	13	22	450***	0.51
TLM / TLF	ALL	Meat / Fish	288*	432*	19**	13	26	N/A***	0.73

* Capacity data listed for cases with 1 row of T-8 top lights and 1 row of optional lighted mezzanine shelves. ADD 20 BTUH/FT for each additional top light or lighted mezzanine shelf. DEDUCT 23 BTUH/FT for each row of unlighted mezzanine shelves. For sizing all refrigeration equipment other than TYLER, use conventional BTUH values.

** Evaporator temperature is based on the saturated pressure leaving the case.

*** Air velocity measured 1 hour after defrost on the horizontal plane of the discharge air grill with an Anor Jr. velometer.

FOR SPECIFIC COMPRESSOR SIZING INFORMATION, REFER TO TYLER APPLICATIONS FOR RACK SYSTEM COMPRESSORS AND/OR THE COMPRESSOR MANUFACTURERS FOR SINGLE COMPRESSORS. FOR LINE SIZING INFORMATION, REFER TO THE MISCELLANEOUS SECTION "BUFF" IN THE TYLER SPECIFICATION GUIDE.

Electrical Data:
Fans & Heaters (120 Volt)

MODEL	CASE LENGTH	FANS / CASE	TOTAL STANDARD FANS		TOTAL ECM FANS		TOTAL AMBIENT FANS		TOTAL ANTI-SWEATS	
			AMPS	WATTS	AMPS	WATTS	AMPS	WATTS	AMPS	WATTS
TLD	4'	2	0.34	30.2	0.22	11	0.16	19.2	1.59	190.2
TLD	6'	4	0.68	60.4	0.44	22	0.32	38.4	2.45	293.8
TLD	8'	5	0.68	60.4	0.44	22	0.48	57.6	3.22	385.9
TLD	12'	7	1.02	90.6	0.66	33	0.64	76.8	4.85	581.7
TLM / TLF	4'	1	N/A	N/A	N/A	N/A	0.16	19.2	0.94	112.6
TLM / TLF	6'	2	N/A	N/A	N/A	N/A	0.32	38.4	1.43	171.2
TLM / TLF	8'	3	N/A	N/A	N/A	N/A	0.48	57.6	1.91	229.8
TLM / TLF	12'	4	N/A	N/A	N/A	N/A	0.64	76.8	2.89	347.0

T8 Lighting with Electronic Ballasts (120 Volt)

MODEL	CASE LENGTH	CANOPY LIGHTS - PER ROW				SHELF LIGHTS - PER ROW				NOSE LIGHT		MAXIMUM LIGHTING *	
		AMPS		WATTS		AMPS		WATTS		AMPS	WATTS	AMPS (5 ROWS)	WATTS (5 ROWS)
		1 ROW	2 ROWS	1 ROW	2 ROWS	1 ROW	2 ROWS	1 ROW	2 ROWS				
TL(D/M/F)	4'	0.35	0.50	42.0	60.0	0.35	0.50	42.0	60.0	0.35	42.0	1.35	162.0
TL(D/M/F)	6'	0.40	0.75	48.0	90.0	0.40	0.80	48.0	96.0	0.40	48.0	1.95	234.0
TL(D/M/F)	8'	0.50	0.95	60.0	114.0	0.50	1.00	60.0	120.0	0.50	60.0	2.45	294.0
TL(D/M/F)	12'	0.70	1.40	84.0	168.0	0.70	1.40	84.0	168.0	0.70	84.0	3.50	420.0

* For cases with 2 rows of canopy lights and 2 rows of shelf lights. Mezzanine shelves are only approved for TLD cases.

Defrost Data:

DEFROST TYPE	DEFROSTS PER DAY	DURATION TIME (MIN)	TERMINATION TEMP. (°F)	BACKUP PRESSURE SETTINGS *		EPR SETTINGS **		DEFROST WATER (LB / FT / DAY)
				CUT IN	CUT OUT	R22 (PSIG)	R404A (PSIG)	
TIME OFF - TLD	4	34	N/A	50# @ R22	31# @ R22	36	47	0.90
TIME OFF - TLM / TLF	2	54	N/A	50# @ R22	31# @ R22	36	47	0.82***

* Used with electronic thermostat and EPR control. ** Set EPR to give this pressure at the case.

*** On TLM units, there is a moisture loss equal to 1.74 oz / ft² / 24hrs

CASE-TO-CASE SUCTION LINE SUB-FEED BRANCH SIZING FOR CASE LINE-UPS (R-22 REFRIGERANT)															
MODEL	4'	6'	8'	12'	16'	20'	24'	28'	32'	36'	40'	44'	48'	52'	56'
TLD	3/8	3/8	1/2	1/2	1/2	5/8	5/8	5/8	7/8	7/8	7/8	7/8	7/8	7/8	7/8
TLM / TLF	3/8	3/8	3/8	1/2	1/2	1/2	1/2	5/8	5/8	5/8	5/8	5/8	7/8	7/8	7/8

CONVENIENCE OUTLET CIRCUIT: One single convenience outlet is on the back of the 4' and 6' cases and two single convenience outlets are on the back of the 8' and 12' cases. Plan suitable 15A circuits for these 120V outlets.

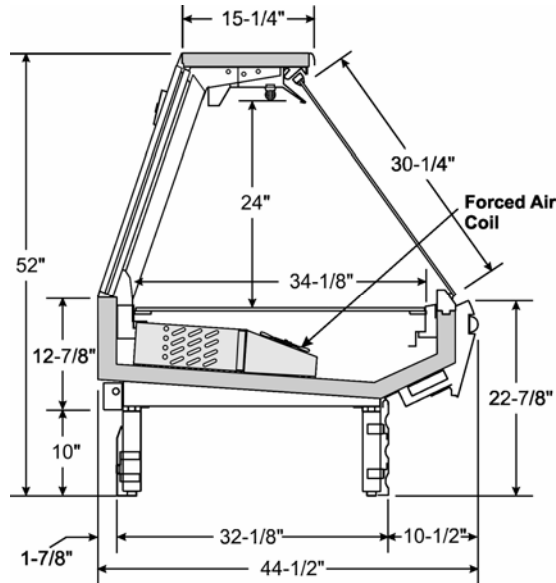
A suction stop evaporator pressure regulator along with an electronic thermostat should be installed on each system to aid in temperature control. Set the EPR for 36 PSIG (R22).

Shelves not recommended in gravity coil cases since they disrupt airflow and compromise performance. Blower style cases may use shelving. On TLD for merchandising with two rows of shelves, the top of the each shelf bracket should be mounted in the 7th and 15th slot from the top in the uprights. Pressure control settings shown in the above table are for backup purposes only. The actual temperature control should be set by the thermostat. TLM setting for this case = CUT IN @ 26°F and CUT OUT @ 22°F. TLF setting for this case = CUT IN @ 34°F and CUT OUT @ 33°F. TLD setting for this case = CUT IN @ 26°F and CUT OUT @ 22°F. For merchandising using well only on the TLD, set CUT IN @ 33°F and CUT OUT @ 29°F and set defrost for 4 @ 26 minutes each.

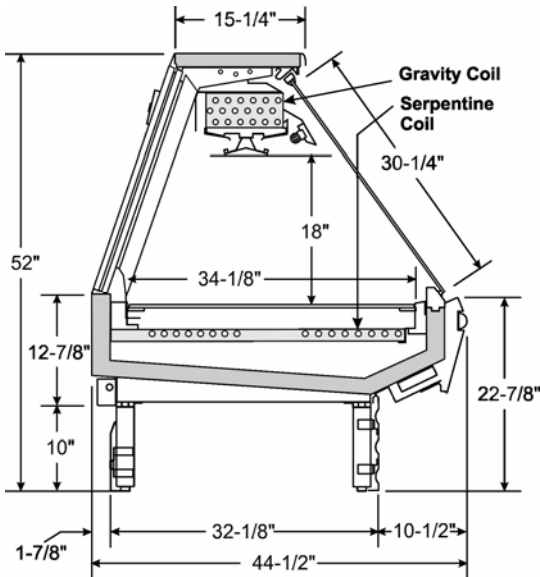
The information contained herein is based on technical analysis and/or tests performed in a controlled lab environment that are consistent with industry practices, and is intended as a reference for system sizing and configuration purposes only and for use by persons having technical skill at their own discretion and risk. Conditions of use are outside of Tyler's control and we do not assume and hereby disclaim any liability for results obtained or damages incurred through application of or reliance on the data presented, including but not limited to specific energy consumption with any particular model or installed application. SPECIFICATIONS ARE SUBJECT TO CHANGE WITHOUT NOTICE.

NSF CERTIFIED to meet ANSI/NSF – 7. CASE BTUH REQUIREMENTS are calculated to produce approximately the indicated performance with absolute maximum operating ambient limits of 75°F & 55RH.

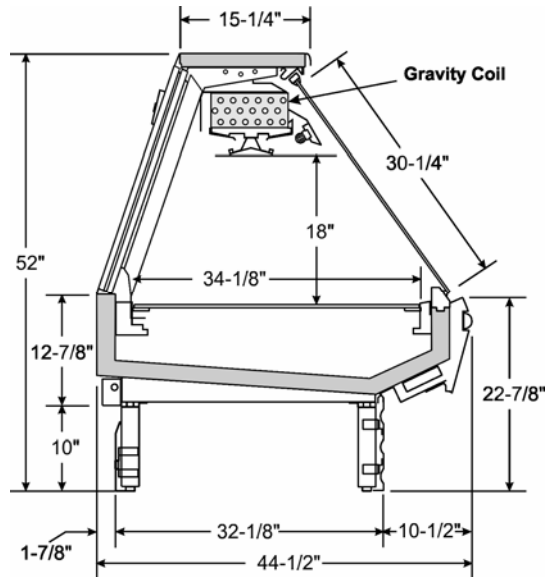
TLD CROSS SECTION



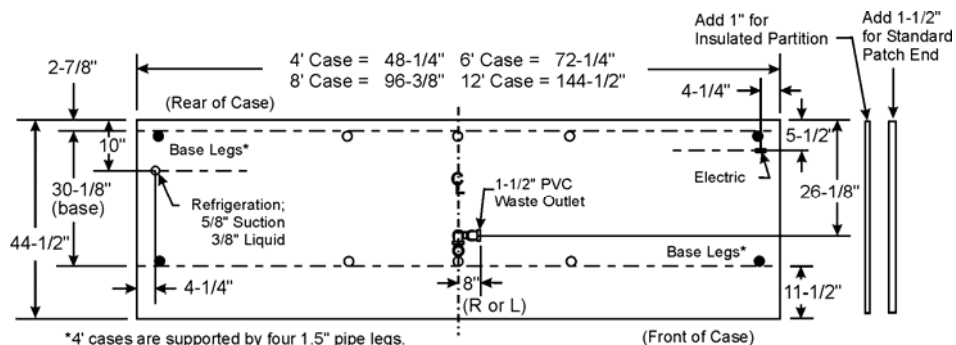
TLM CROSS SECTION



TLF CROSS SECTION

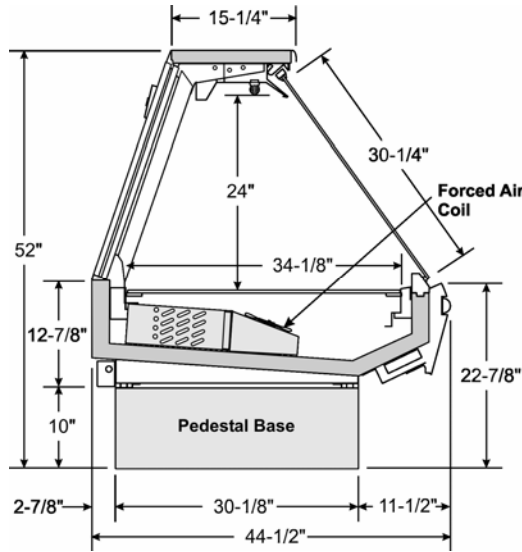


FLOOR PLAN

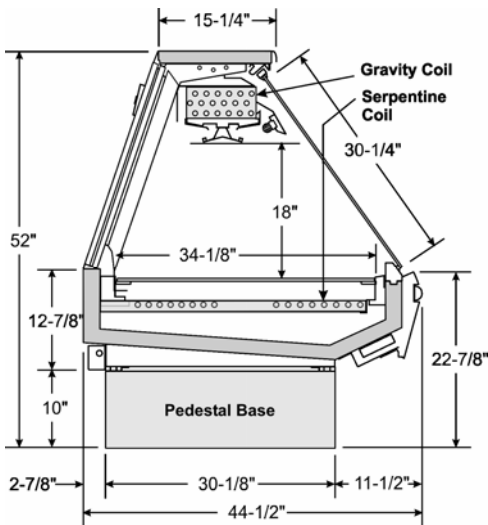


*4' cases are supported by four 1.5" pipe legs.
6' & 8' cases use six - 1.5" pipe legs.
12' cases use eight - 1.5" pipe legs.

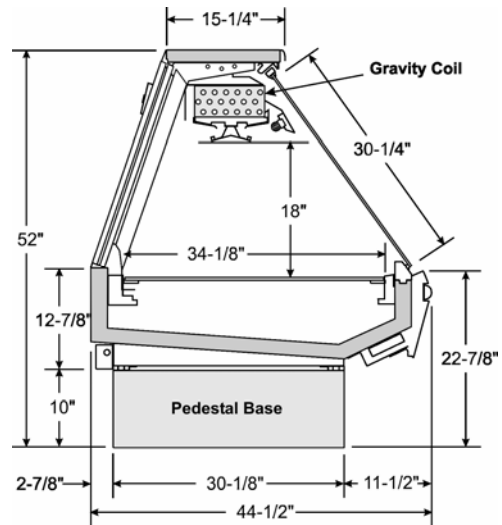
TLD PEDESTAL BASE CROSS SECTION



TLM PEDESTAL BASE CROSS SECTION



TLF PEDESTAL BASE CROSS SECTION



PEDESTAL BASE FLOOR PLANS

