

SPECIFICATION SHEET

• TLSSD SELF-SERVICE DELI MERCHANDISERS •

Refrigeration Data:

MODEL	CASE LENGTH	CASE USAGE	CAPACITY (BTUH / FT)*	EVAPORATOR (°F)**	UNIT SIZING (°F)	DISCHARGE AIR (°F)
TLSSD	8'/12'	Deli	964	15	13	27

* Capacity data listed for cases with 1 row of T-8 Canopy Lights and 2 rows of optional lighted shelves.

If case has unlighted shelves, **DEDUCT** 23 BTUH/FT per row of unlighted shelves on the case.

** Evaporator temperature is defined as the saturated suction temperature leaving the case.

FOR SPECIFIC COMPRESSOR SIZING INFORMATION, REFER TO TYLER APPLICATIONS FOR RACK SYSTEM COMPRESSORS AND/OR THE COMPRESSOR MANUFACTURERS FOR SINGLE COMPRESSORS. FOR LINE SIZING INFORMATION, REFER TO THE MISCELLANEOUS SECTION "BUFF" IN THE TYLER SPECIFICATION GUIDE.

Electrical Data:

Fans (120 Volt)

MODEL	CASE LENGTH	FANS / CASE	TOTAL STANDARD FANS		TOTAL ECM FANS	
			AMPS	WATTS	AMPS	WATTS
TLSSD	8'	2	1.2	76.0	----	----
TLSSD	12'	3	1.8	114.0	----	----

T8 Lighting with Electronic Ballasts (120 Volt)

MODEL	CASE LENGTH	CANOPY LIGHTS 1-ROW		SHELF LIGHTS PER ROW				MAXIMUM LIGHTING*	
		AMPS	WATTS	AMPS - (ROWS OF SHELVES)		WATTS - (ROWS OF SHELVES)		AMPS	WATTS
				1	2	1	2		
TLSSD	8'	0.50	60.0	0.50	1.00	60.0	120.0	1.50	180.0
TLSSD	12'	0.70	84.0	0.70	1.40	84.0	168.0	2.10	252.0

* For cases with 1 row of canopy lights and 2 rows of shelf lights.

Defrost Data:

DEFROST TYPE	DEFROSTS PER DAY	DURATION TIME (MIN)	TERMINATION TEMP. (°F)	EPR SETTINGS *	
				R22 (PSIG)	R404A (PSIG)
TIME OFF	6	28	N/A	38	56

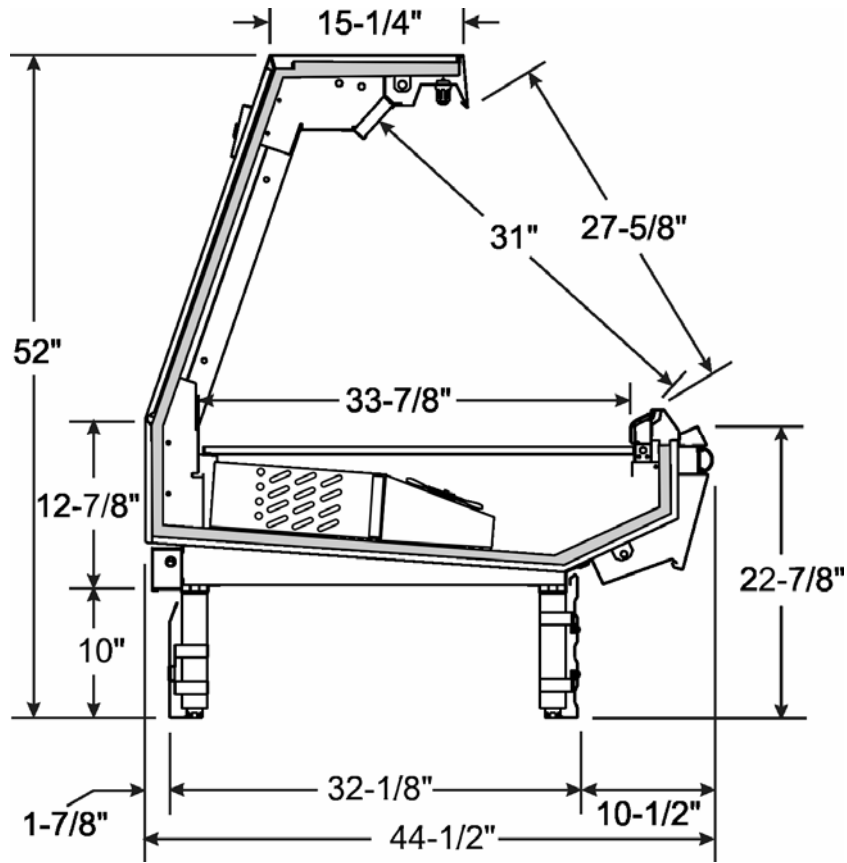
* Set EPR to give this pressure at the case.

CASE-TO-CASE SUCTION LINE SUB-FEED BRANCH LINE SIZING												
MODEL	8'	12'	16'	20'	24'	28'	32'	36'	40'	44'	48'	52'
TLSSD	5/8"	7/8"	7/8"	7/8"	1 1/8"	1 1/8"	1 1/8"	1 1/8"	1 1/8"	1 3/8"	1 3/8"	1 3/8"

CASE BTUH REQUIREMENTS are calculated to produce approximately the indicated performance with absolute maximum operating ambient limits of **75°F & 55RH**.

The information contained herein is based on technical analysis and/or tests performed in a controlled lab environment that are consistent with industry practices, and is intended as a reference for system sizing and configuration purposes only and for use by persons having technical skill at their own discretion and risk. Conditions of use are outside of Tyler's control and we do not assume and hereby disclaim any liability for results obtained or damages incurred through application of or reliance on the data presented, including but not limited to specific energy consumption with any particular model or installed application. SPECIFICATIONS ARE SUBJECT TO CHANGE WITHOUT NOTICE.

TLSSD CROSS SECTION



FLOOR PLAN

