

**SPECIFICATION SHEET**

**• TNG GLASS FRONT SELF-SERVICE CHEESE/DELI MERCHANDISERS •**

**Refrigeration Data:**

MODEL	CASE LENGTH	CASE USAGE	CAPACITY (BTUH / FT)		EVAPORATOR (°F)	UNIT SIZING (°F)	DISCHARGE AIR		AVG. REF. CHARGE (LBS/FT)
			PARALLEL	CONVENTIONAL			TEMPERATURE (°F)	VELOCITY (FPM)	
TNG	4'6"/8'/12'	MED TEMP CHEESE	470*	532*	+20**	+18	+28	475***	0.25
TNG	4'6"/8'/12'	MED TEMP DELI	579*	656*	+15**	+13	+25	475***	0.25

\* For sizing all refrigeration equipment other than TYLER, use conventional BTUH values.

\*\* Evaporator temperature is based on the saturated pressure leaving the case.

\*\*\* Air velocity measured 1 hour after defrost termination at the top of the discharge air grid using an ALNOR JR. velometer with a scoop.

FOR SPECIFIC COMPRESSOR SIZING INFORMATION, REFER TO TYLER APPLICATIONS FOR RACK SYSTEM COMPRESSORS AND/OR THE COMPRESSOR MANUFACTURERS FOR SINGLE COMPRESSORS. FOR LINE SIZING INFORMATION, REFER TO THE MISCELLANEOUS SECTION "BUFF" IN THE TYLER SPECIFICATION GUIDE.

**Electrical Data:**

Fans and Heaters (120 Volt)

MODEL	CASE LENGTH	FANS / CASE	TOTAL STANDARD FANS		TOTAL ECM FANS		DISCHARGE AIR ANTI-SWEAT (120V)	
			AMPS	WATTS	AMPS	WATTS	AMPS	WATTS
TNG	4'	1	0.34	30.2	0.22	11.0	N/A	N/A
TNG	6'	2	0.68	60.4	0.44	22.0	N/A	N/A
TNG	8'	2	0.68	60.4	0.44	22.0	N/A	N/A
TNG	12'	3	1.02	90.6	0.66	33.0	N/A	N/A

**Defrost Data:**

DEFROST TYPE*	DEFROSTS PER DAY	DURATION TIME (MIN)	TERMINATION (°F)	EPR SETTINGS *		BACKUP PRESSURE CONTROL SETTINGS		DEFROST WATER (LB / FT / DAY)
				R-22 (PSIG)	R-404A (PSIG)	CUT-IN (PSIG @ R-22)	CUT-OUT (PSIG @ R-22)	
TIME OFF - CHEESE	6	28	---	43	56	45	35	4.25
TIME OFF - DELI	6	28	---	38	50	40	30	

\* Set EPR to give this pressure at the case.

**TEMPERATURE CONTROL** can be achieved by a thermostat, suitably sized EPR, or Low Pressure Control. The Discharge Air Thermostat should be set @ 28°F CUT IN with a 21°F CUT-OUT; EPR set at 43# (R-22); and Low Pressure Control settings to be used for backup control only (see table).

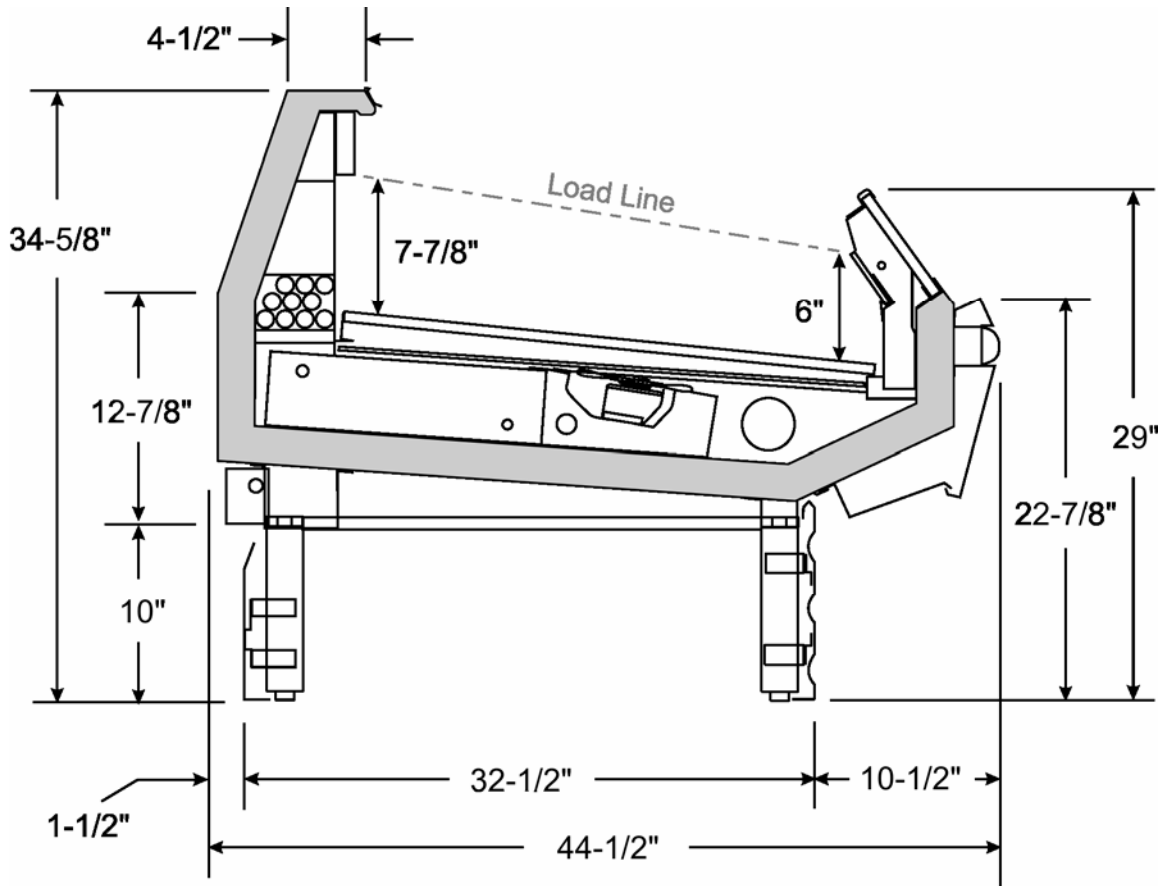
CASE-TO-CASE SUCTION LINE SUB-FEED BRANCH LINE SIZING (R-22 REFRIGERANT)												
MODEL	4'	6'	8'	12'	16'	20'	24'	28'	32'	36'	40'	44'
TNG - CHEESE	1/2"	1/2"	1/2"	1/2"	5/8"	5/8"	7/8"	7/8"	7/8"	7/8"	7/8"	7/8"
TNG - DELI	1/2"	1/2"	1/2"	5/8"	5/8"	7/8"	7/8"	7/8"	7/8"	7/8"	7/8"	1-1/8"

**UL SANITATION** approved in accordance with ANSI/NSF - 7.

**CASE BTUH REQUIREMENTS** are calculated to produce approximately the indicated entering-air temperature with absolute maximum operating ambient limits of **75°F & 55RH**.

The information contained herein is based on technical analysis and/or tests performed in a controlled lab environment that are consistent with industry practices, and is intended as a reference for system sizing and configuration purposes only and for use by persons having technical skill at their own discretion and risk. Conditions of use are outside of Tyler's control and we do not assume and hereby disclaim any liability for results obtained or damages incurred through application of or reliance on the data presented, including but not limited to specific energy consumption with any particular model or installed application. SPECIFICATIONS ARE SUBJECT TO CHANGE WITHOUT NOTICE.

**TNG CROSS SECTION**



**FLOOR PLAN**

