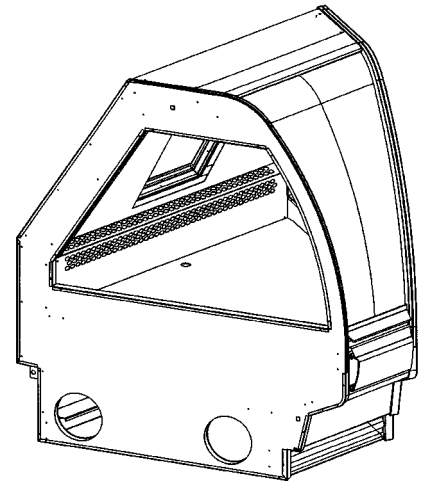
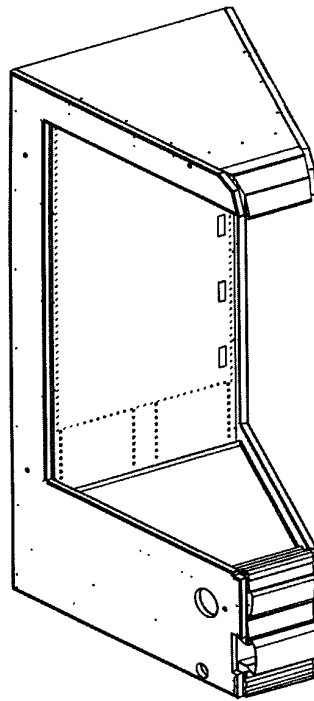
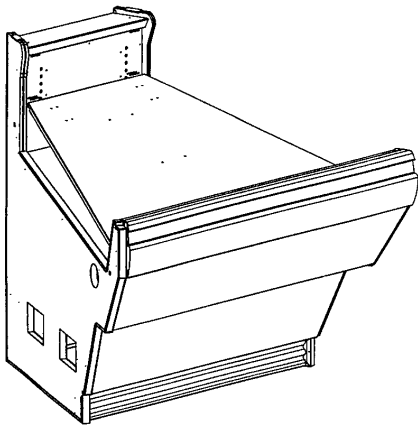


TYLER



Installation & Service Sheet



CORNER (WEDGE) CASES

INSIDE & OUTSIDE CORNER MERCHANDISERS

Refrigerated Corner Display Cases

This sheet has been designed to be used in conjunction with the General Installation & Service Manuals.

Save All Instructions for Future Reference!!

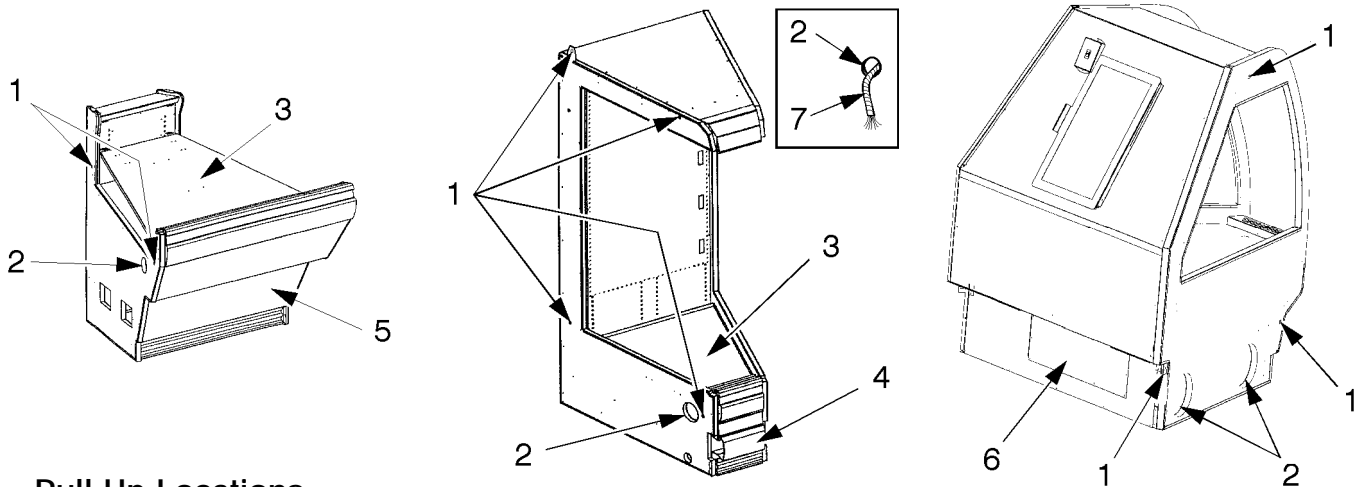
This merchandiser conforms to the Commercial Refrigeration Manufacturers Association Health and Sanitation standard CRS-S1-97.

PRINTED IN U.S.A.	Specifications subject to change without notice.	REPLACES EDITION	ISSUE DATE	4/97	PART NO.	9403980	REV.
-------------------	--	------------------	------------	------	----------	---------	------

Installation Information

WARNING

Corner cases are not intended as stand alone commercial refrigerated merchandisers. They must be bolted to the adjoining case(s) or to the floor to provide stability. Failure to do so could result in product damage and/or possible personal injury.



Pull-Up Locations

There are no parts which need to be removed to access the corner case pull-up hardware. On open well cases and service cases there are two or three pull-up locations. On multi-shelf cases there are three, four or five pull-up locations.

- See page step 8 on page G-9 in the General Installation & Service Manual for the specific pull-up locations (1) for the different types of cases.

Refrigerant Piping

All case-to-case piping should be routed through the access openings (2) in the side case supports. Refrigeration technicians can make connections to corner case piping by removing the bottom tray (3) from the case.

Field Wiring Connections

Corner cases provide one of three locations to connect field power supply wiring.

1. On models with raceways, raceway cover (4) or lower front cladding (5) can be removed. The wires should be connected to the terminal block in the raceway.
2. On service case models, remove a rear lower panel (6) to expose an electrical junction box where the wires should be connected.

3. On corner cases where space does not allow for a raceway, wiring in flexible metal conduit* (7) is routed through an access opening (2) and connected to the adjoining case wiring.

* **Field supply connections are 18AWG wire leads. An equipment grounding green conductor is routed in the flexible conduit. DO NOT rely on the conduit as equipment grounding means!**

NOTE

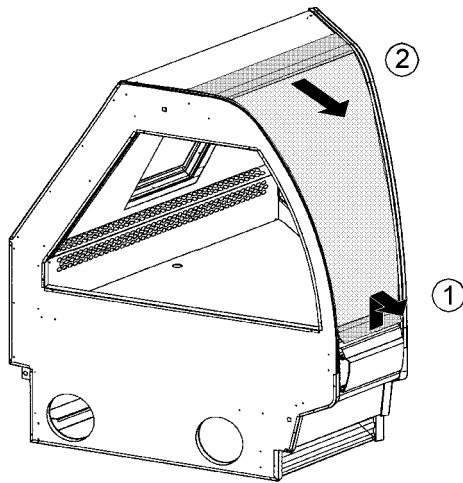
Some electrical components and/or ballast may be located on top of the case when space does not permit them to be located in the raceway and/or under the canopy.

Plumbing Waste Connections

The drain pan in each case is fitted with a 3/4" inside diameter tube. A length of PVC hose is attached to the tube. A preformed PVC "P-trap" is shipped loose, along with a spring connector. This "P-trap" is to be installed between the end of the PVC hose and where it connects into the drain system on the adjoining case. Waste outlets are not intended for direct connection to the building plumbing system. Plumbing Codes require drain lines to terminate as an approved air gap. Consult your licensed plumber.

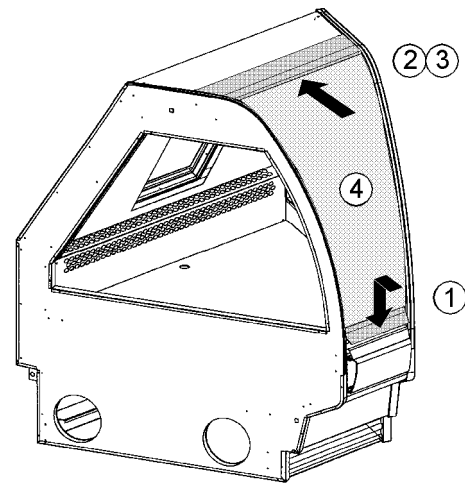
Curved Glass Replacement

Glass Removal



1. Firmly lift up and out on front glass handle until the glass air seal releases.
2. Grasp both sides of the plexiglas and slide the top glass trim out of the retainer glass clip at the top of the case.

Glass Installation



1. Insert bottom edge of front glass handle into bottom glass edge trim.
2. Line-up and position the top glass trim into the retainer glass clip at the top of the case.
3. Push firmly on the top of the plexiglas until the top glass trim snaps into the retainer glass clip.
4. Press in along the sides of the plexiglas to assure a proper air seal for the front curved glass.