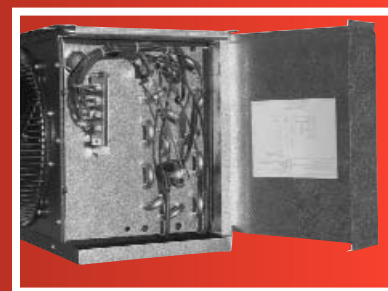
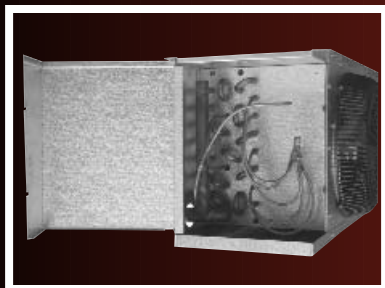


**NOW WITH QUICK
ACCESS END PANELS****Low Profile
Unit Cooler**SUBMITTAL **LP-69J** rev. 1**March, 2004**SUPERCEDES LP-69I**MEA****Description:**

The Kramer Low Profile unit cooler is the ideal solution for problem areas with limited head room. These units are ceiling mounted; thereby saving space for product storage.

With a Low Profile draw-thru design, uniform air distribution is achieved.

These units are ideally suited for applications of +35°F and above for storage products such as meats, fruits, vegetables, dairy products, etc.

Features & Options:

- Low Unit Height
- Corrosion resistant Aluminum cabinet
- Coils constructed of Copper tubes and Aluminum fins
- Dependable ratings based on laboratory tests.
- Interchangeable fans and motors on all models
- All motors are permanently lubricated with overload protection
- Available in 6 or 8 FPI
- Sloped drain pan built-in for positive condensate drainage
- Factory wired for quick field installation
- Hinged end panel design for easy installation of TXV and solenoid valves.
- NSF approved
- UL and cUL listed
- Optional PSC motors available
- High throw fan guards are optional



Air Defrost / Specifications

8 FPI	Model Number	Capacity BTU/HR 10° TD (1)	CFM (3)	Air Throw (ft.) (2) (3)	Motor Qty.	Total Fan Motor AMPS - 1 Phase				
						Standard Motor			Optional PSC Motor	
						115V	230V	460V	115V	230V
LP- 40	4000	770	12	1	2.0	1.0	0.5	1.0	0.5	
LP- 52	5200	740	12	1	2.0	1.0	0.5	1.0	0.5	
LP- 66	6600	710	12	1	2.0	1.0	0.5	1.0	0.5	
LP- 80	8000	1400	15	2	4.0	2.0	1.0	2.0	1.0	
LP- 97	9700	1360	15	2	4.0	2.0	1.0	2.0	1.0	
LP- 104	10400	1470	15	2	4.0	2.0	1.0	2.0	1.0	
LP- 124	12400	1320	15	2	4.0	2.0	1.0	2.0	1.0	
LP- 135	13500	1420	15	2	4.0	2.0	1.0	2.0	1.0	
LP- 156	15600	2200	20	3	6.0	3.0	1.5	3.0	1.5	
LP- 190	19000	2120	20	3	6.0	3.0	1.5	3.0	1.5	
LP- 208	20800	2940	25	4	8.0	4.0	2.0	4.0	2.0	
LP- 250	25000	2820	25	4	8.0	4.0	2.0	4.0	2.0	
LP- 275	27500	3670	30	5	10.0	5.0	2.5	5.0	2.5	
LP- 300	30000	4400	30	6	12.0	6.0	3.0	6.0	3.0	
LP- 380	38000	4230	35	6	12.0	6.0	3.0	6.0	3.0	

LP- 39	3900	790	12	1	2.0	1.0	0.5	1.0	0.5
LP- 49	4900	760	12	1	2.0	1.0	0.5	1.0	0.5
LP- 59	5900	740	12	1	2.0	1.0	0.5	1.0	0.5
LP- 69	6900	1470	15	2	4.0	2.0	1.0	2.0	1.0
LP- 89	8900	1430	15	2	4.0	2.0	1.0	2.0	1.0
LP- 112	11200	1490	15	2	4.0	2.0	1.0	2.0	1.0
LP- 147	14700	2280	20	3	6.0	3.0	1.5	3.0	1.5
LP- 169	16900	2230	20	3	6.0	3.0	1.5	3.0	1.5
LP- 193	19300	3050	25	4	8.0	4.0	2.0	4.0	2.0
LP- 235	23500	2970	25	4	8.0	4.0	2.0	4.0	2.0
LP- 245	24500	3810	30	5	10.0	5.0	2.5	5.0	2.5
LP- 280	28000	4570	30	6	12.0	6.0	3.0	6.0	3.0
LP- 350	35000	4460	35	6	12.0	6.0	3.0	6.0	3.0

1. Standard units Based on R-22
2. Unrestricted flow.
3. High throw fan guards are available as an option.
4. All motors are 1/20 HP and are wired for single phase power. Standard motors are shaded pole. High efficiency PSC (Permanent Split Capacitor) motors are optional.

Ordering Information Required

It is vital that the information listed below is given with each evaporator order. Orders without this information may be delayed. Evaporators with options such as solenoid and expansion valves will not be processed until all the required information is given.

- (1) Model Number**
- (2) Voltage, frequency and phase of motors and heaters (when applicable)**
- (3) Refrigerant type**
- (4) Evaporator temperature**
- (5) Evaporator T.D.**

Physical Data

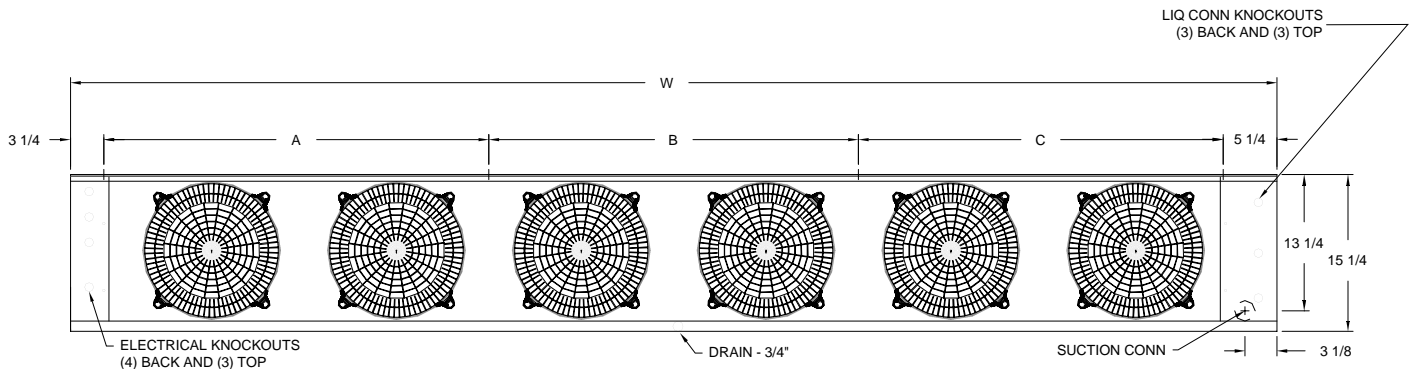
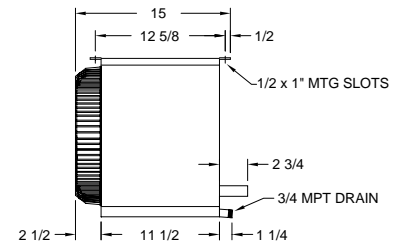
	Models	TXV Type	Refrigerant Connections		No. of Hangers	Dimensions (Inches)				Ref. Charge (lbs.) ¹	Ship Wt. (lbs.)
			Liquid†	Suction		A	B	C	W		
8 FPI	LP- 40	EXT	1/2 ODS	5/8 ODS	2	19	—	—	27½	0.8	33
	LP- 52	EXT	1/2	5/8	2	19	—	—	27½	1.2	34
	LP- 66	EXT	1/2	5/8	2	19	—	—	27½	1.6	36
	LP- 80	EXT	1/2	5/8	2	33	—	—	41½	1.4	48
	LP- 97	EXT	1/2	7/8	2	33	—	—	41½	2.0	51
	LP- 104	EXT	1/2	7/8	2	37	—	—	45½	1.3	58
	LP- 124	EXT	1/2	7/8	2	33	—	—	41½	2.7	60
	LP- 135	EXT	1/2	7/8	2	37	—	—	45½	3.0	63
	LP- 156	EXT	1/2	1-1/8	2	55	—	—	63½	3.3	79
	LP- 190	EXT	1/2	1-1/8	2	55	—	—	63½	4.5	84
	LP- 208	EXT	1/2	1-1/8	3	36½	36½	—	81½	4.4	254
	LP- 250	EXT	1/2	1-1/8	3	36½	36½	—	81½	5.9	262
	LP- 275	EXT	1/2	1-1/8	3	54½	36½	—	99½	5.4	312
	LP- 300	EXT	1/2	1-1/8	4	36½	36	36½	117½	6.5	354
	LP- 380	EXT	1/2	1-1/8	4	36½	36	36½	117½	8.7	370

6 FPI	LP- 39	EXT	1/2 ODS	5/8 ODS	2	19	—	—	27½	0.8	41
	LP- 49	EXT	1/2	5/8	2	19	—	—	27½	1.2	44
	LP- 59	EXT	1/2	5/8	2	19	—	—	27½	1.6	47
	LP- 69	EXT	1/2	5/8	2	33	—	—	41½	1.4	54
	LP- 89	EXT	1/2	7/8	2	33	—	—	41½	2.0	55
	LP- 112	EXT	1/2	7/8	2	37	—	—	45½	3.0	62
	LP- 147	EXT	1/2	7/8	2	55	—	—	63½	3.3	78
	LP- 169	EXT	1/2	1-1/8	2	55	—	—	63½	4.5	85
	LP- 193	EXT	1/2	1-1/8	3	36½	36½	—	81½	4.4	255
	LP- 235	EXT	1/2	1-1/8	3	36½	36½	—	81½	5.9	265
	LP- 245	EXT	1/2	1-1/8	3	54½	36½	—	99½	5.4	306
	LP- 280	EXT	1/2	1-1/8	4	36½	36	36½	117½	6.5	353
	LP- 350	EXT	1/2	1-1/8	4	36½	36	36½	117½	8.7	368

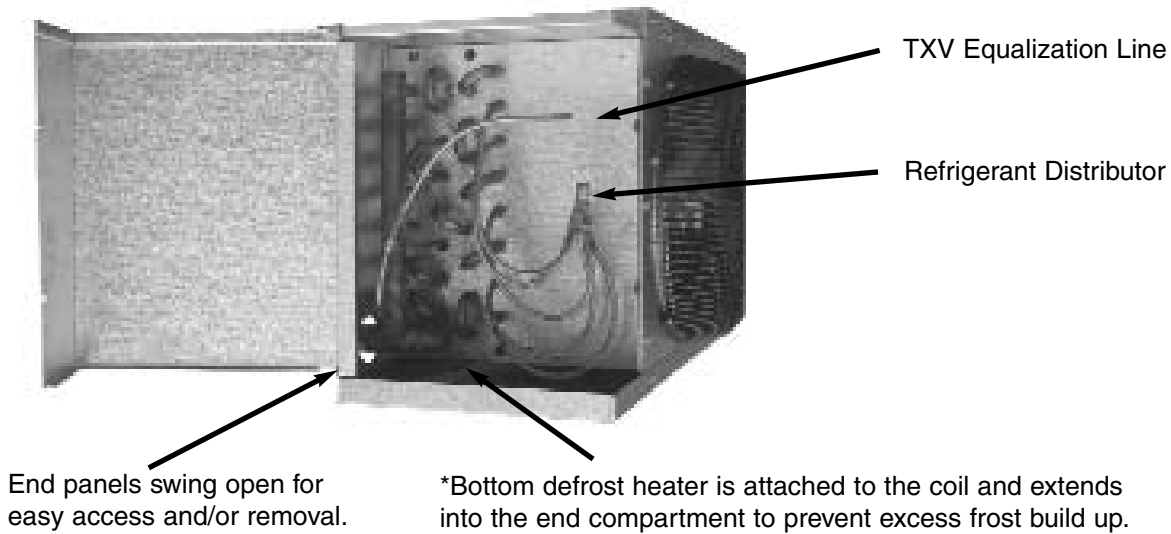
† Optional Extended Flare Kit available upon request for field installation.

Installation Notes:

- (1) Install 12" away from back wall.
- (2) For long air throw requirements, specify high throw fan guard.



QUICK ACCESS - SLOTTED HINGE END PANELS



Kramer has enhanced its low profile unit cooler design keeping installation and serviceability in the forefront. The slotted hinge end panels make service easier than ever.

